

US00D591200S

(12) **United States Design Patent**
Freeman

(10) **Patent No.:** **US D591,200 S**

(45) **Date of Patent:** **** *Apr. 28, 2009**

(54) **STRAP END RETAINER WITH OPEN SLOTS**

D387,014 S * 12/1997 Matoba D11/218

(76) Inventor: **James Marty Freeman**, 718 N. Walnut,
Apt. B, Siloam Springs, AR (US) 72761

* cited by examiner

Primary Examiner—R. Seifert

(*) Notice: This patent is subject to a terminal disclaimer.

(74) *Attorney, Agent, or Firm*—Keisling Pieper & Scott PLC;
Trent C. Keisling; David B. Pieper

(**) Term: **14 Years**

(57) **CLAIM**

(21) Appl. No.: **29/301,652**

The ornamental design for strap end retainer with open slots.

(22) Filed: **Mar. 10, 2008**

DESCRIPTION

(51) **LOC (9) Cl.** **02-07**

FIG. 1 is a front-right side perspective view of a strap end retainer with open slots showing my new design;

(52) **U.S. Cl.** **D11/218**

FIG. 2 is a front-right side perspective view thereof showing the retainer deployed around a strap end with no claim to the portions shown in dashed lines;

(58) **Field of Classification Search** D11/1-2,
D11/86, 87, 200-201, 206-210, 212-216,
D11/218; 24/163 R, 169-171, 173, 177-179,
24/191, 194-195, 197, 200, 303, 198

FIG. 3 is a front side elevational view thereof;

See application file for complete search history.

FIG. 4 is a top plan view thereof;

FIG. 5 is a bottom plan view thereof;

(56) **References Cited**

U.S. PATENT DOCUMENTS

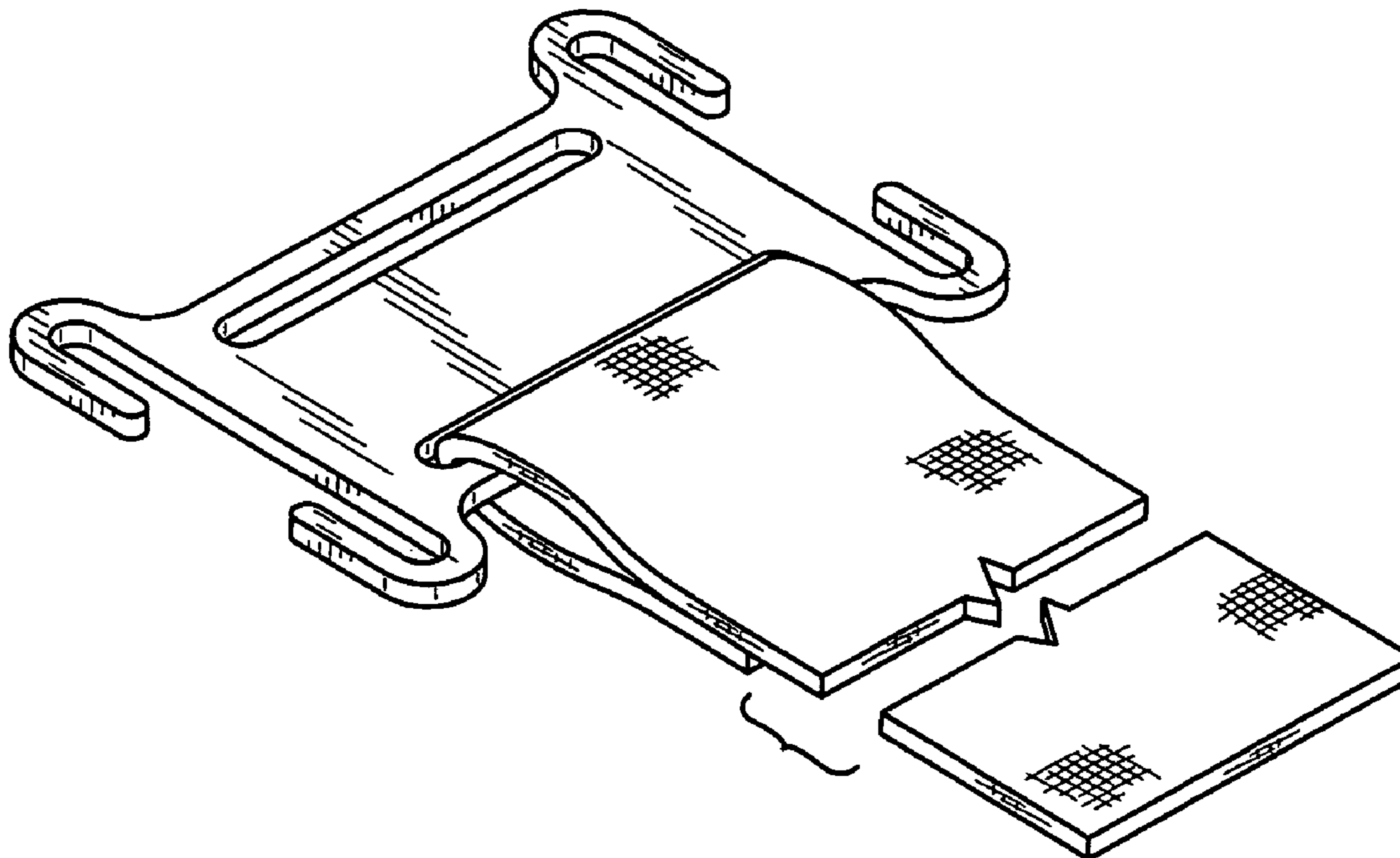
- 634,014 A * 10/1899 Molloy 24/198
- 1,904,188 A * 4/1933 Zahm et al. 43/88
- D313,204 S * 12/1990 Bodt D11/218

FIG. 6 is a left side elevational view thereof;

FIG. 7 is a right side elevational view thereof; and,

FIG. 8 is a rear side elevational view thereof.

1 Claim, 2 Drawing Sheets



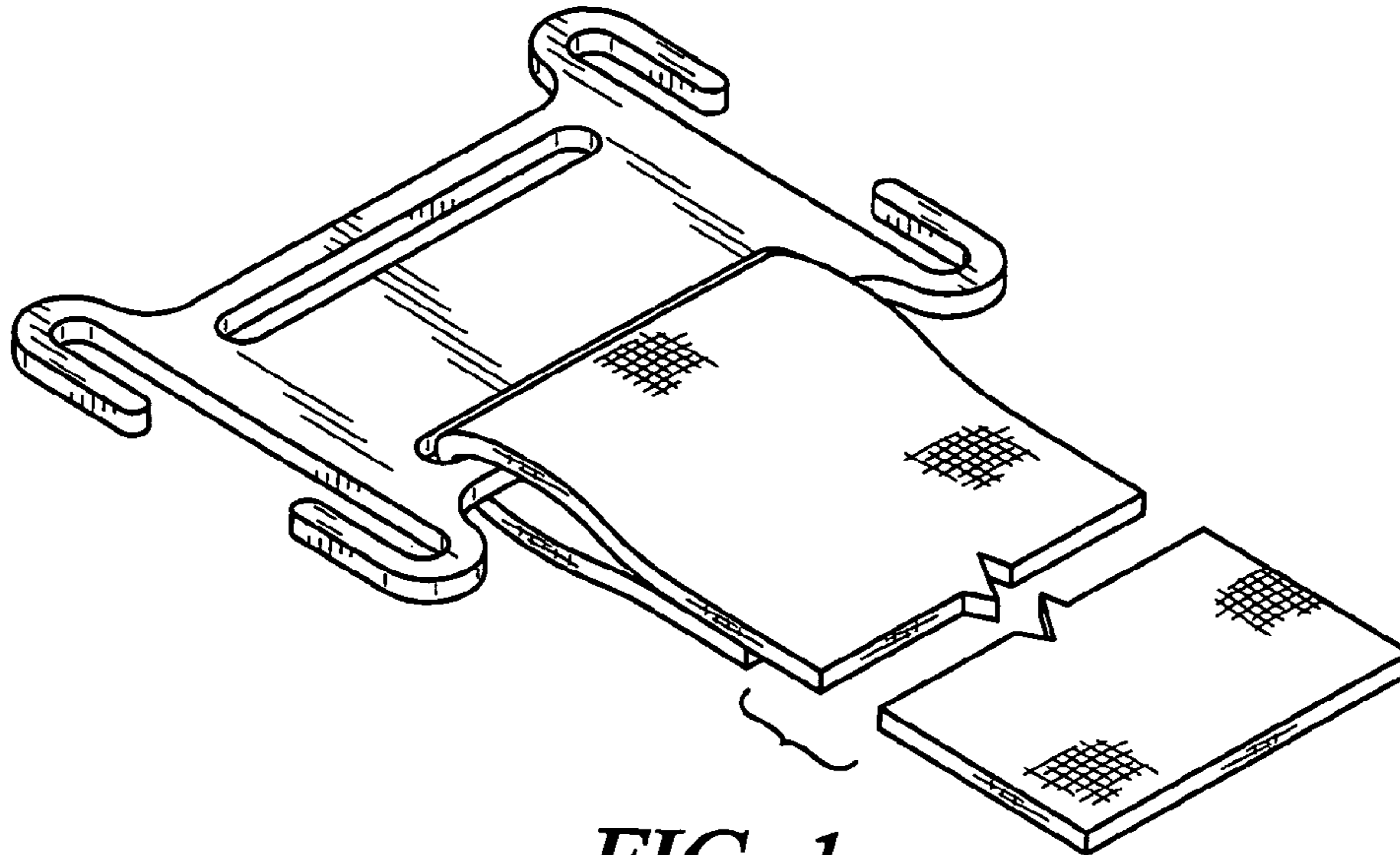


FIG. 1

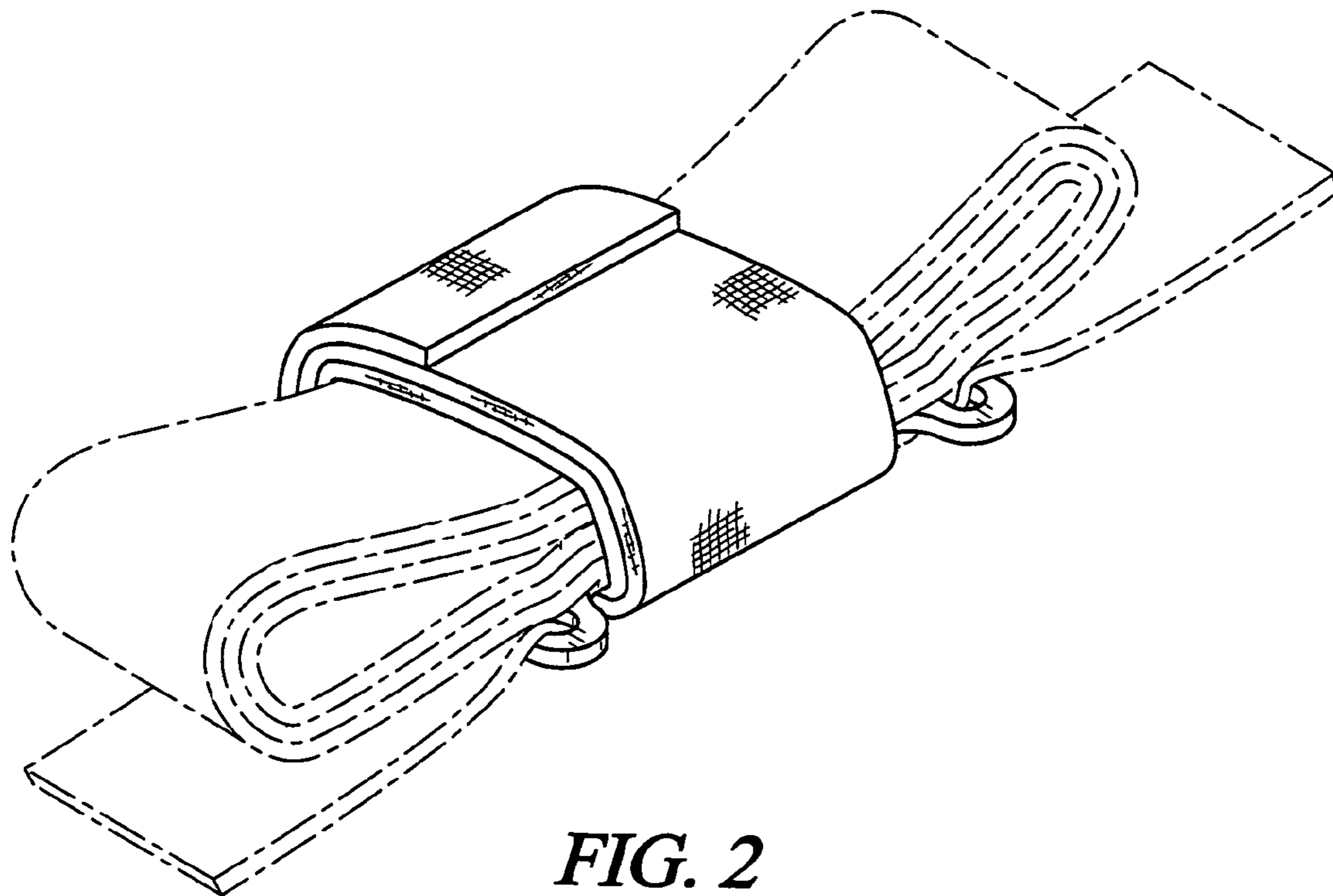


FIG. 2

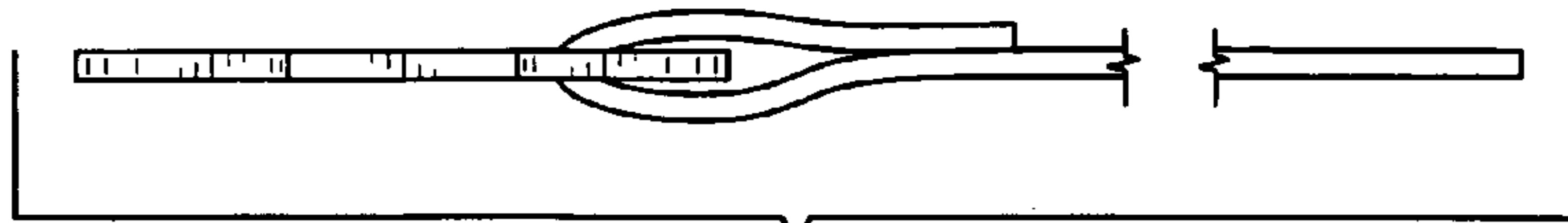


FIG. 4



FIG. 6

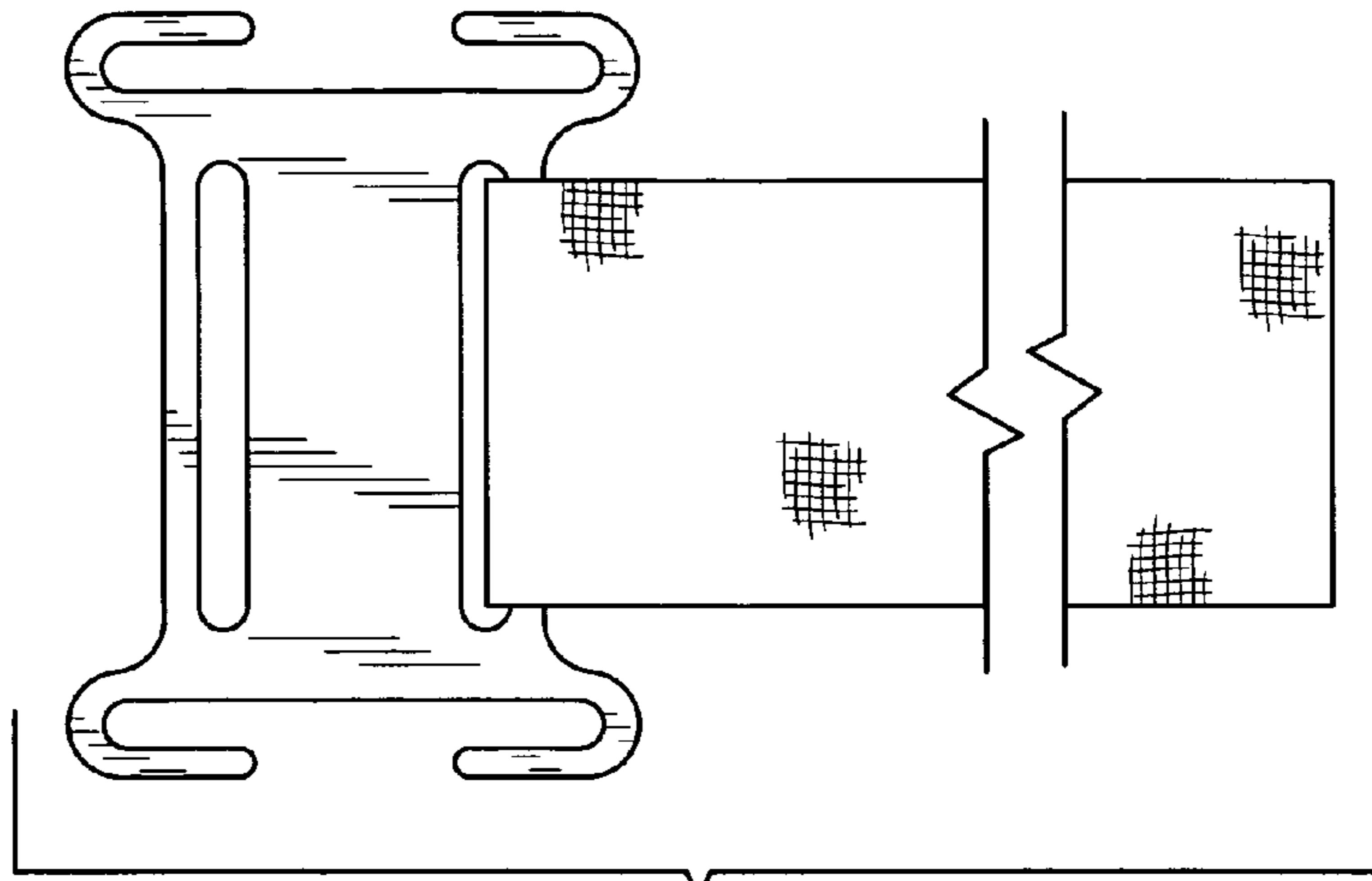


FIG. 3

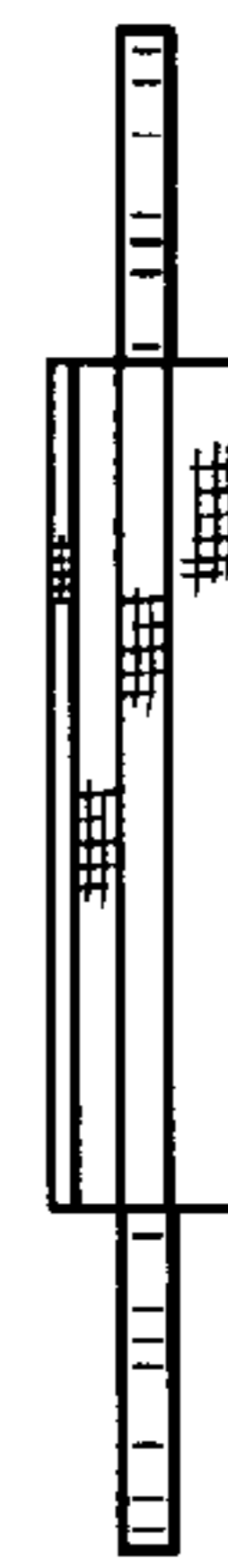


FIG. 7

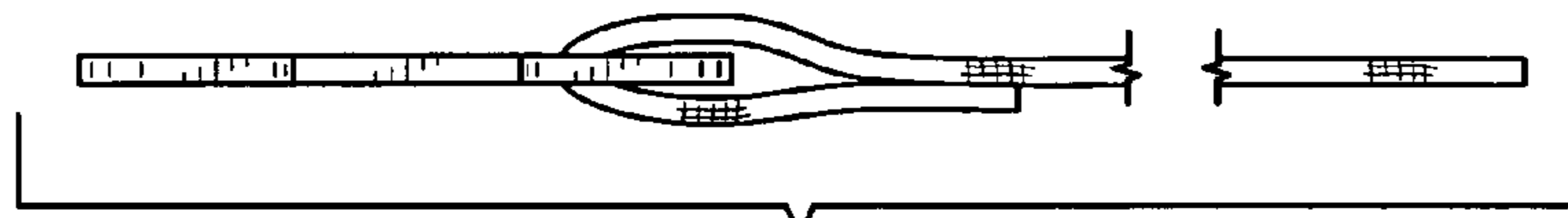


FIG. 5

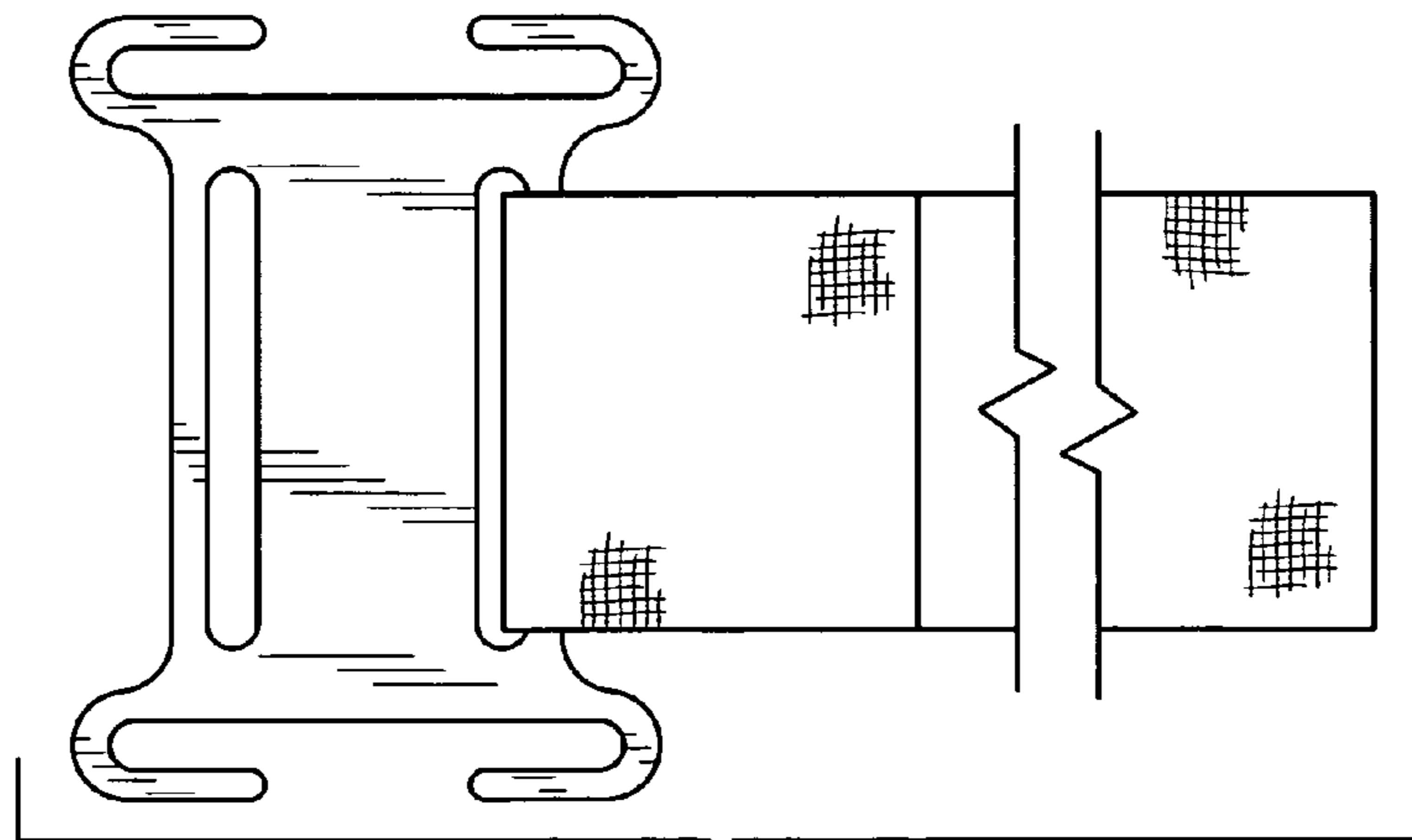


FIG. 8