

US00D591191S

(12) **United States Design Patent**
Besse et al.

(10) **Patent No.:** **US D591,191 S**
(45) **Date of Patent:** **** Apr. 28, 2009**

- (54) **BALANCE WHEEL WITH FLAT HAIRSPRING**
- (75) Inventors: **Laurent Besse**, Villers le Lac (FR);
Damien Sourice, La Chaux-de-Fonds (CH)
- (73) Assignee: **Maurice Lacroix SA**, Saignelegier (CH)
- (**) Term: **14 Years**
- (21) Appl. No.: **29/299,023**
- (22) Filed: **Dec. 18, 2007**
- (30) **Foreign Application Priority Data**
Jun. 26, 2007 (CH) 134118
- (51) **LOC (9) Cl.** **10-07**
- (52) **U.S. Cl.** **D10/129**
- (58) **Field of Classification Search** D10/129,
D10/30-39, 122-132; 368/175, 176-178
See application file for complete search history.

- (56) **References Cited**
U.S. PATENT DOCUMENTS
- 273,138 A * 2/1883 Oldroyd 368/176
- D14,427 S * 11/1883 Mason D10/129
- 469,914 A * 3/1892 Olsen 368/175
- 617,301 A * 1/1899 Teske 368/177
- 1,136,950 A * 4/1915 Freistadter 368/177
- 1,752,773 A * 4/1930 Bates 368/177
- 2,704,433 A * 3/1955 Hutchison, Jr. 368/178
- 3,154,912 A * 11/1964 Pinkas 368/176
- 3,528,237 A * 9/1970 Suard 368/175
- 3,534,546 A * 10/1970 Le Van 368/164
- 3,564,840 A * 2/1971 Meitinger 368/175
- 3,600,943 A * 8/1971 Blanchard 73/861
- 3,791,251 A * 2/1974 Pohlmann 368/130
- 3,813,872 A * 6/1974 Nakagawa et al. 368/169

- 3,934,403 A * 1/1976 Tilse 368/175
- 3,934,406 A * 1/1976 Bornand 368/325
- 3,943,701 A * 3/1976 Poix 368/173
- 3,950,938 A * 4/1976 Tilse et al. 368/175
- 3,958,410 A * 5/1976 Bell 368/175
- D339,751 S * 9/1993 Besson D10/39
- 5,907,524 A * 5/1999 Marmy et al. 368/175
- 7,070,321 B2 * 7/2006 Gabus et al. 368/127
- 7,293,913 B2 * 11/2007 Peters et al. 368/175
- 7,344,302 B2 * 3/2008 Musy et al. 368/175
- 7,350,967 B2 * 4/2008 Jujo 368/175
- 2006/0002241 A1 * 1/2006 Verardo et al. 368/175

OTHER PUBLICATIONS

Watches International VI, The Original Annual of the World's Finest Wristwatches, copyright 2005, Tourbillon International LLC, p. 538 watch balance and spring.*

* cited by examiner

Primary Examiner—Lucy Lieberman
(74) *Attorney, Agent, or Firm*—Young & Thompson

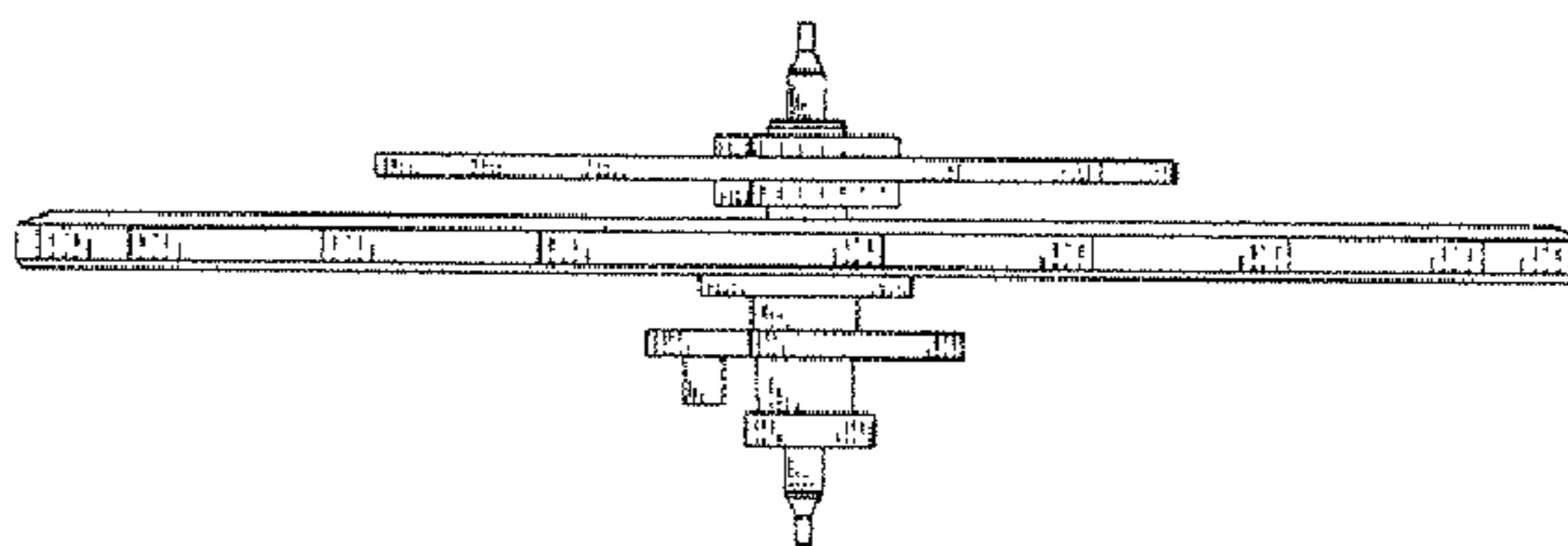
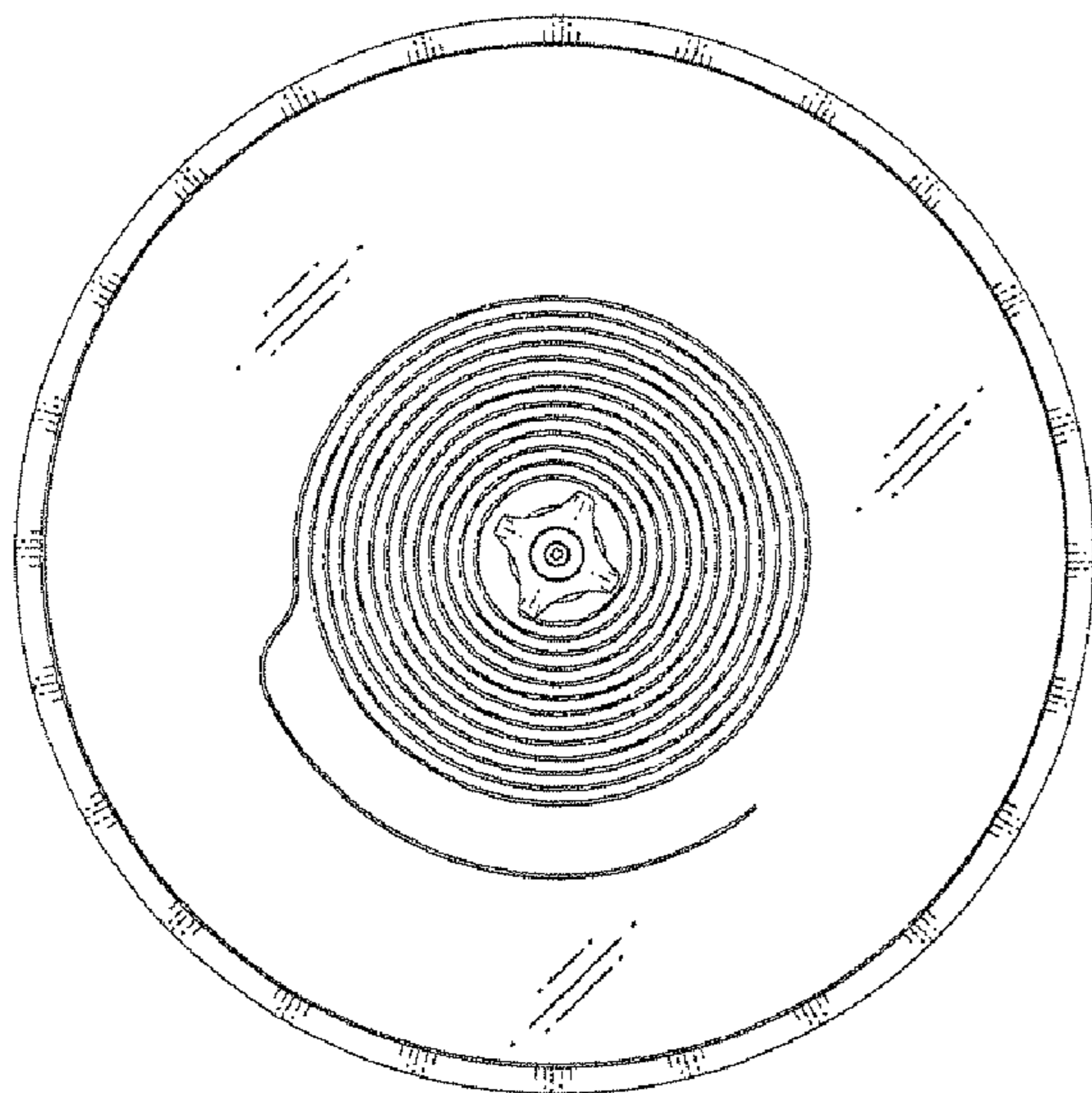
(57) **CLAIM**

The ornamental design for a balance wheel with flat hair-spring, as shown and described.

DESCRIPTION

FIG. 1 is a top view of the balance wheel with flat hairspring. FIG. 2 is a bottom view of the balance wheel with flat hair-spring. FIG. 3 is a side view from the bottom of FIG. 1. FIG. 4 is a side view from the top of FIG. 1. FIG. 5 is a side view from the right of FIG. 1. FIG. 6 is a side view from the left of FIG. 1; and, FIG. 7 is a perspective view of the balance wheel with flat hairspring.

1 Claim, 1 Drawing Sheet



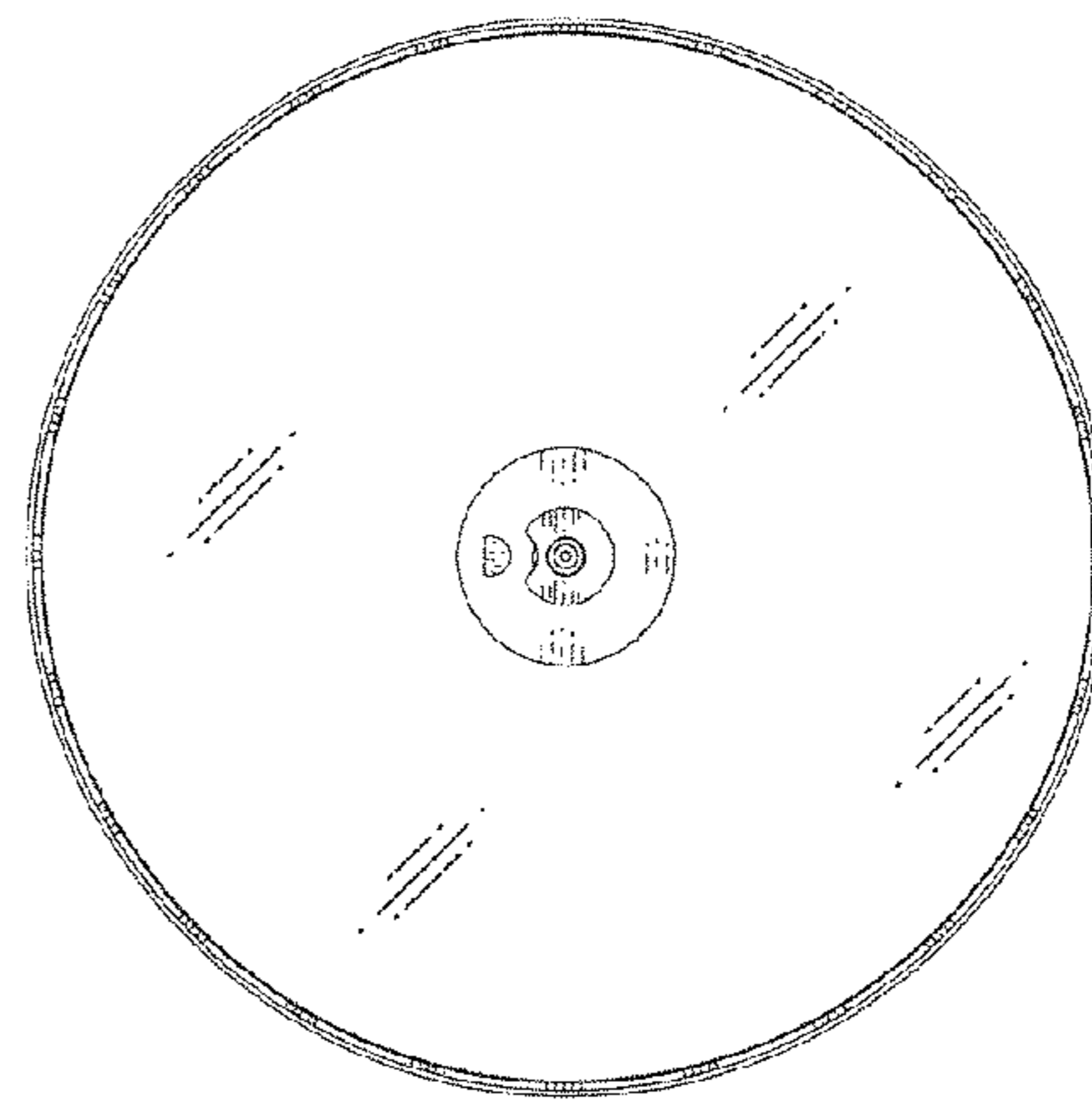
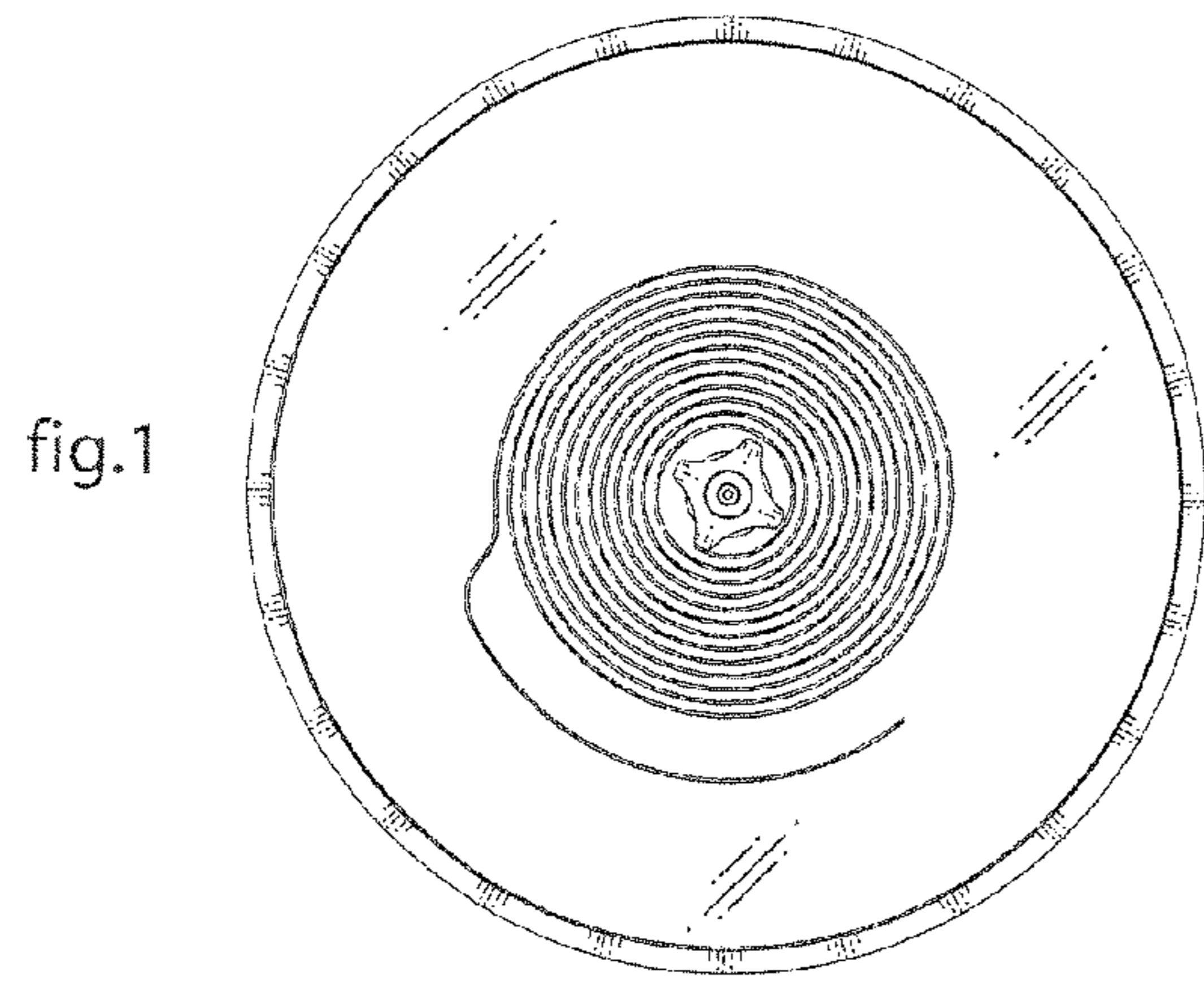


fig.2

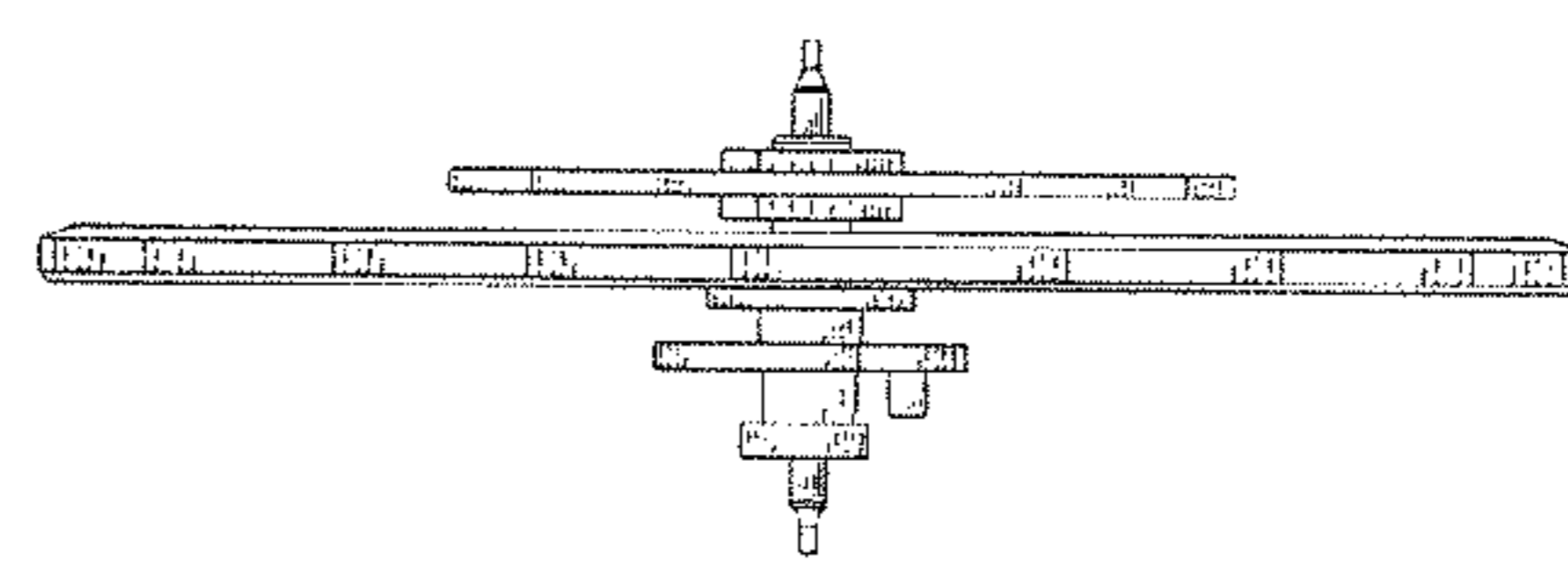
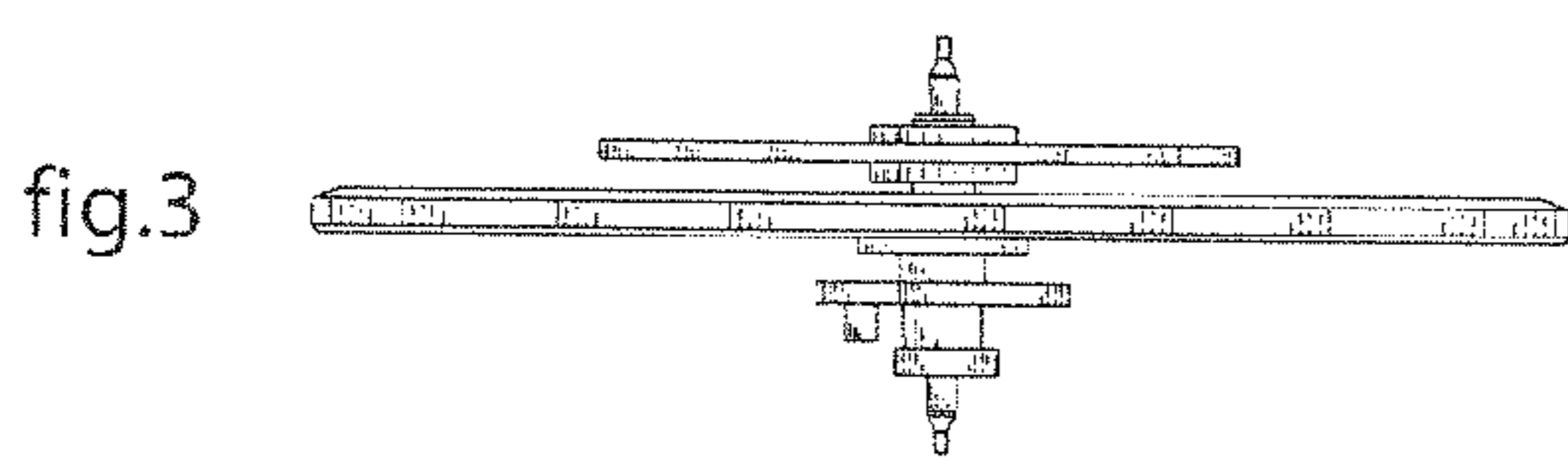


fig.4

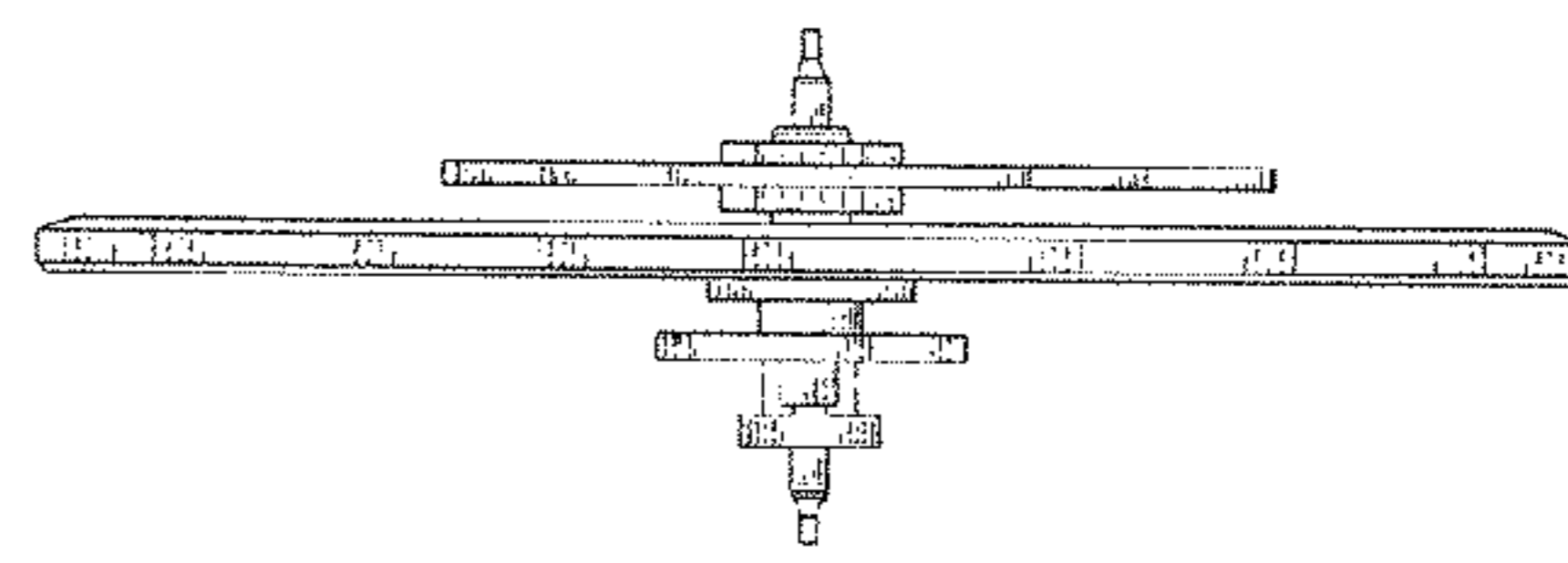
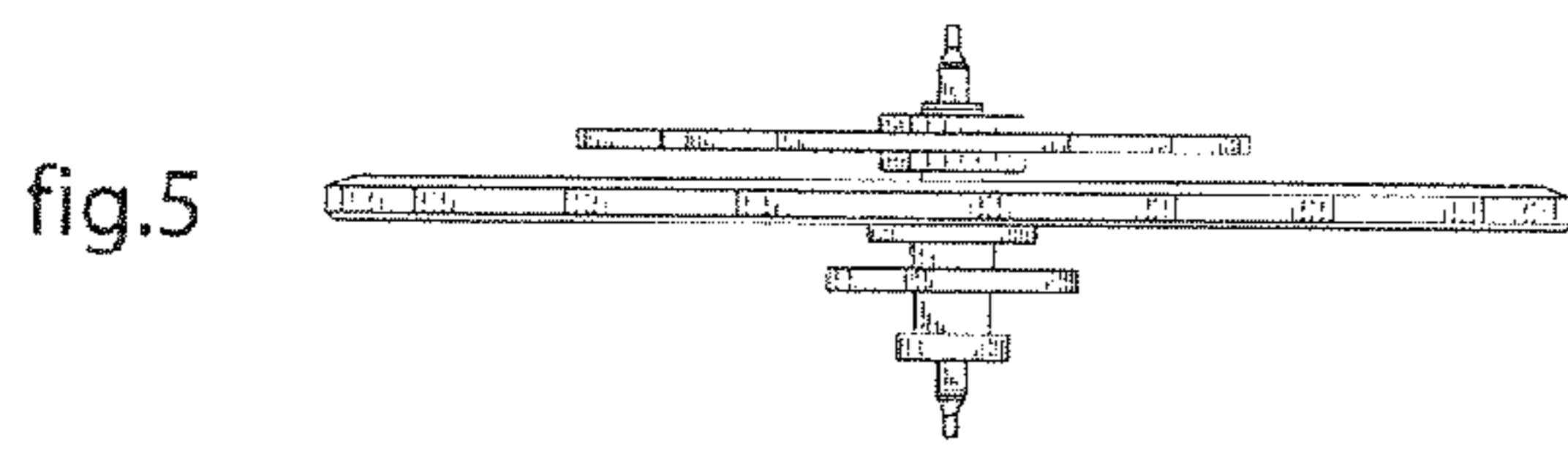


fig.6

