

US00D591189S

(12) **United States Design Patent**  
**Shin**

(10) **Patent No.:** **US D591,189 S**

(45) **Date of Patent:** **\*\* Apr. 28, 2009**

(54) **DOUBLE LIGHT BAR FOR EMERGENCY VEHICLES**

(76) **Inventor:** **David D Shin**, 7322 Madison St.,  
Paramount, CA (US) 90723

(\*\*) **Term:** **14 Years**

(21) **Appl. No.:** **29/325,983**

(22) **Filed:** **Oct. 9, 2008**

(51) **LOC (9) Cl.** ..... **10-05**

(52) **U.S. Cl.** ..... **D10/114**

(58) **Field of Classification Search** ..... D10/114;  
D26/28, 31; 362/493, 545, 35, 542, 480,  
362/540; 340/468, 404.1, 474, 480; 379/37  
See application file for complete search history.

(56) **References Cited**

U.S. PATENT DOCUMENTS

D249,250 S	9/1978	Perish, Jr.	
D291,870 S	9/1987	Urbanski et al.	
D312,424 S	11/1990	Foster	
D312,425 S	11/1990	Foster	
D312,978 S	12/1990	Foster	
D326,621 S	6/1992	Jincks et al.	
D345,316 S	3/1994	Green et al.	
D355,142 S	2/1995	Wagner	
5,452,188 A	9/1995	Green et al.	
D363,675 S	10/1995	Sasaki et al.	
D402,909 S	12/1998	Stanuch	
D427,537 S	7/2000	Green et al.	
D432,038 S	10/2000	Sasaki et al.	
D432,444 S	10/2000	Sasaki et al.	
6,140,918 A	10/2000	Green et al.	
D442,106 S *	5/2001	Stein et al. ....	D10/114
6,511,216 B2 *	1/2003	Strickland ....	362/542
D469,711 S	2/2003	Neufeglise	

D476,253 S	6/2003	Stein et al.	
D491,482 S *	6/2004	Chiang .....	D10/114
D499,976 S	12/2004	Neufeglise et al.	
D518,400 S	4/2006	Sasaki et al.	
D556,074 S	11/2007	Stein et al.	
D576,754 S *	9/2008	Wang .....	D26/31
7,431,485 B1 *	10/2008	Saward et al. ....	362/493

\* cited by examiner

*Primary Examiner*—Caron Veynar

*Assistant Examiner*—George D Kirschbaum

(74) *Attorney, Agent, or Firm*—Kirk A. Buhler; Buhler & Associates

(57) **CLAIM**

The ornamental design for a double light bar for emergency vehicles, as shown and described.

**DESCRIPTION**

FIG. 1 is a top view for a double light bar for emergency vehicles showing my new design;

FIG. 2 is a front view thereof;

FIG. 3 is a bottom view thereof;

FIG. 4 is a back view thereof;

FIG. 5 is a left view thereof;

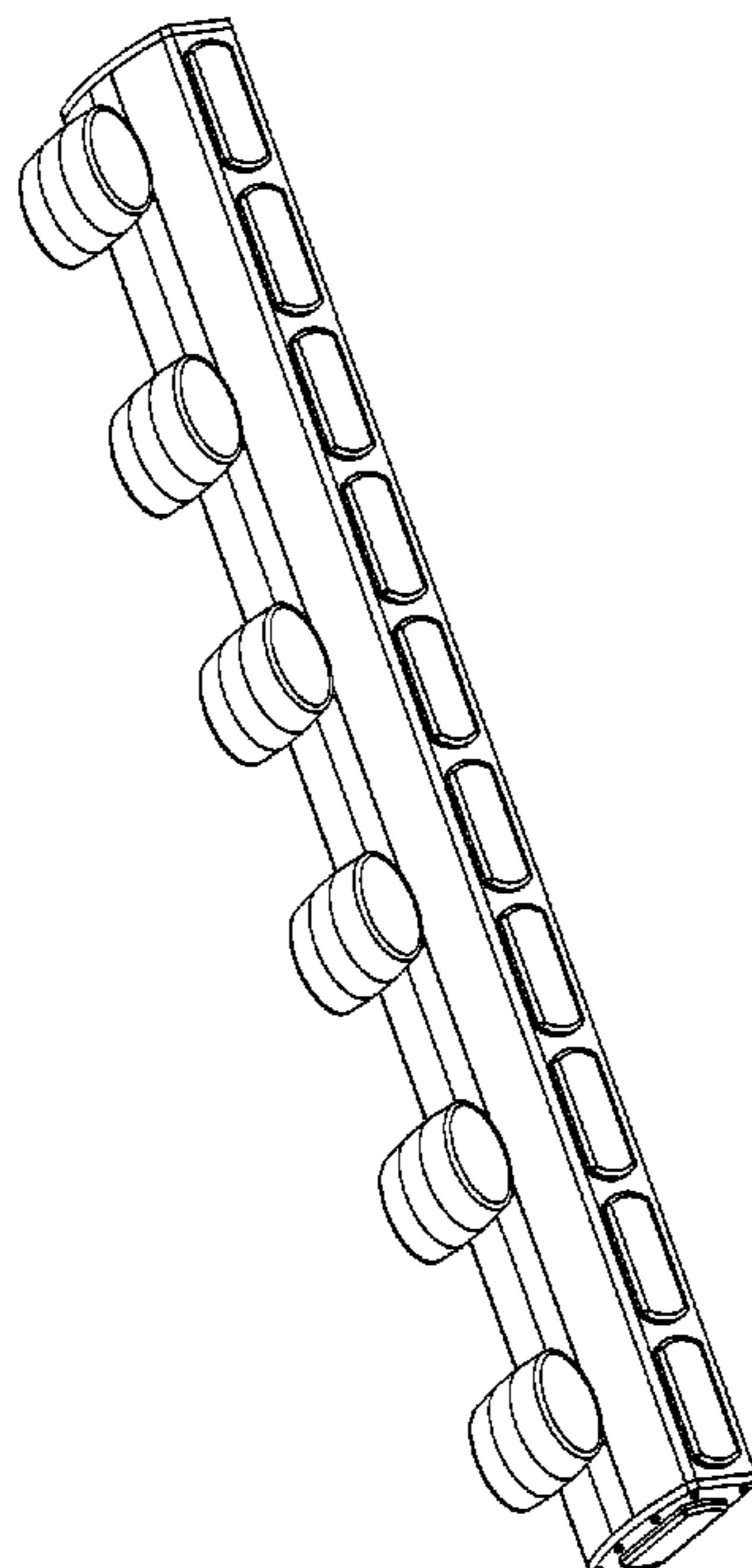
FIG. 6 is a right view thereof;

FIG. 7 is an isometric view thereof; and,

FIG. 8 is a perspective view with my design view shown in use.

In the drawings, the broken line showing of mounting hardware or a vehicle depict environment subject matter and forms no part of the claimed design.

**1 Claim, 5 Drawing Sheets**



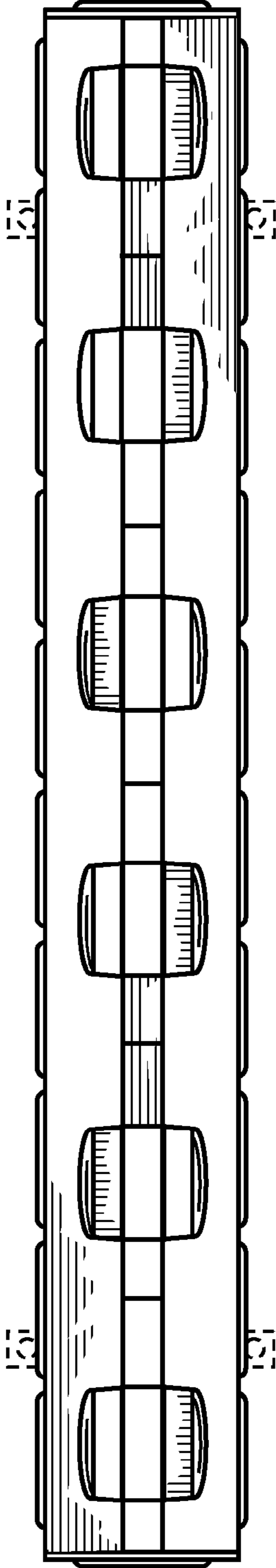


FIG. 1

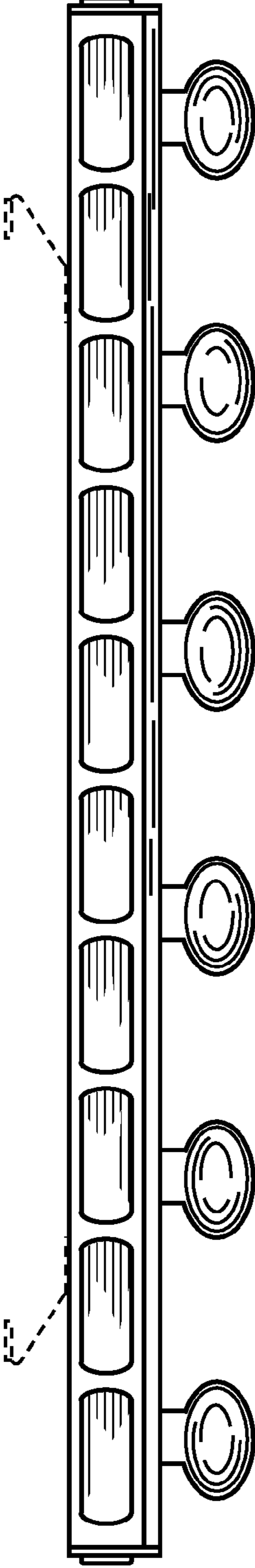
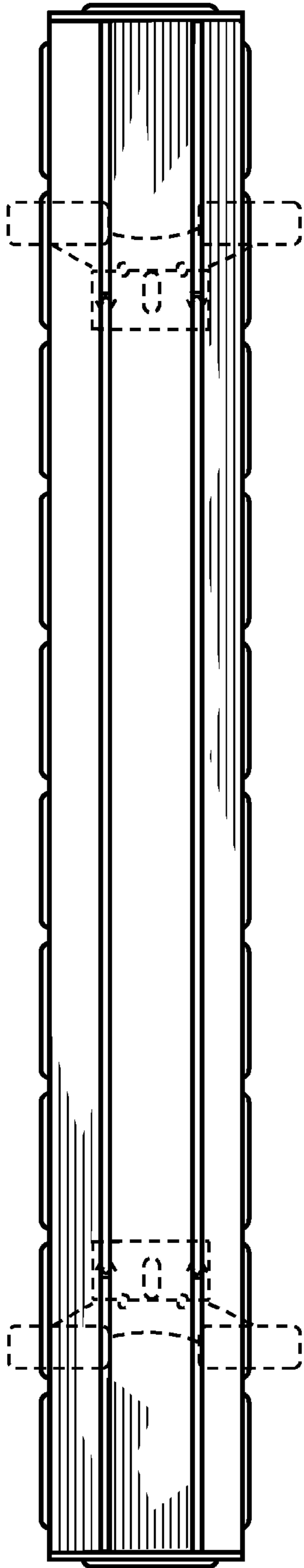
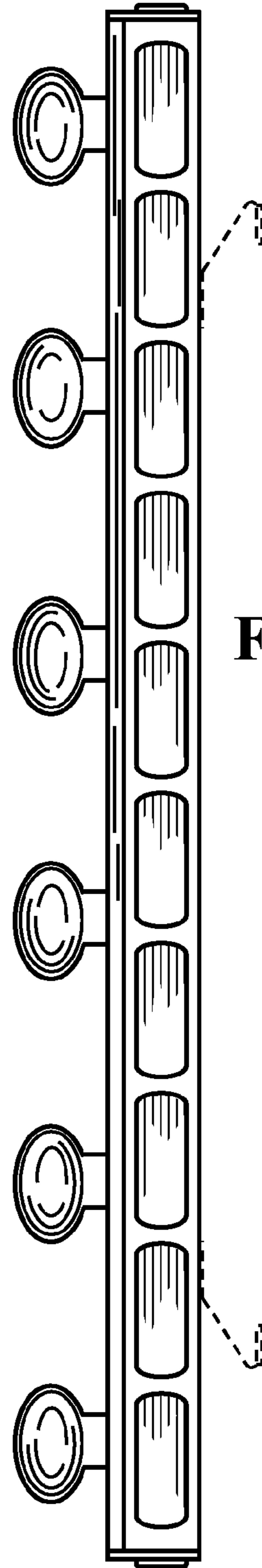


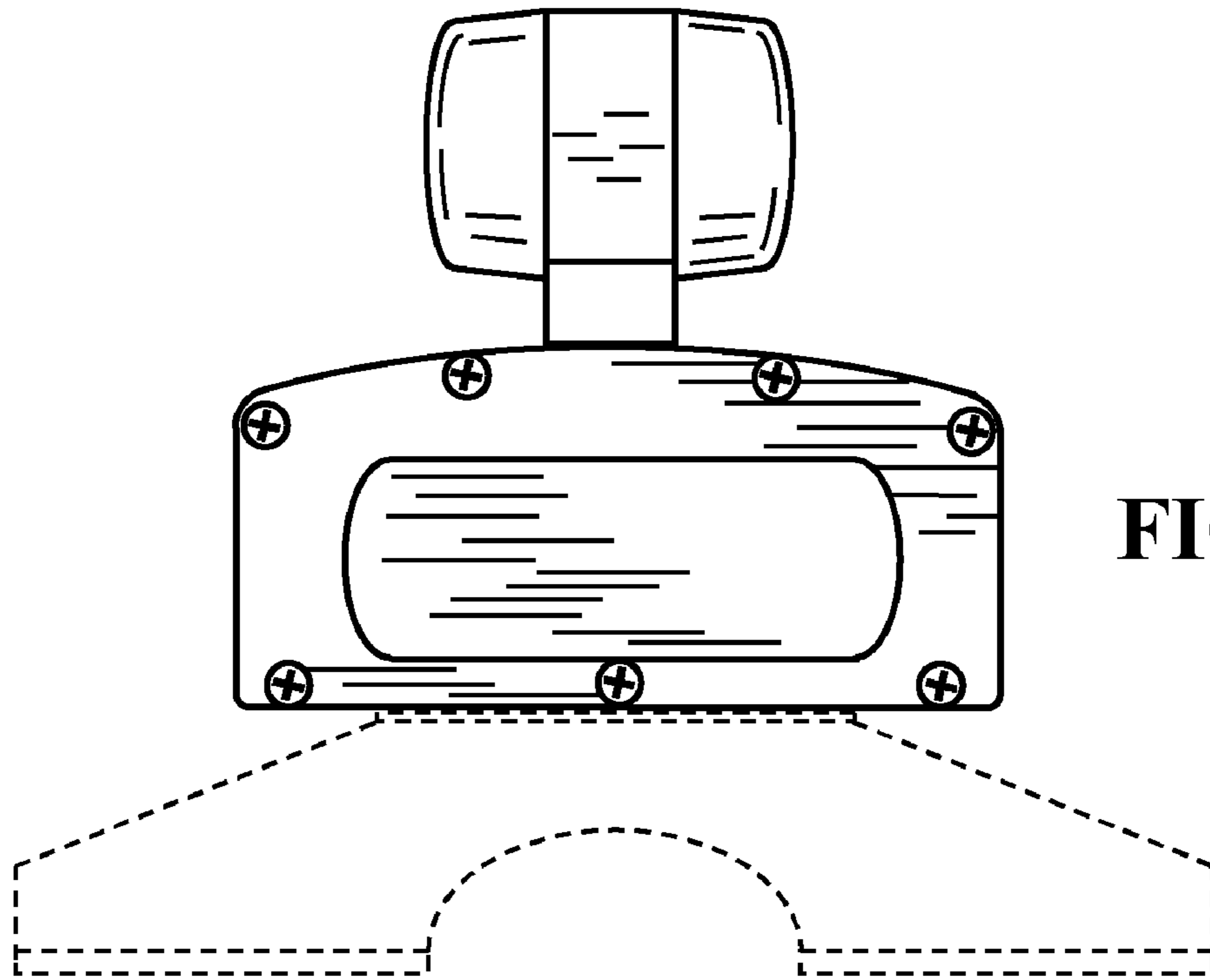
FIG. 2



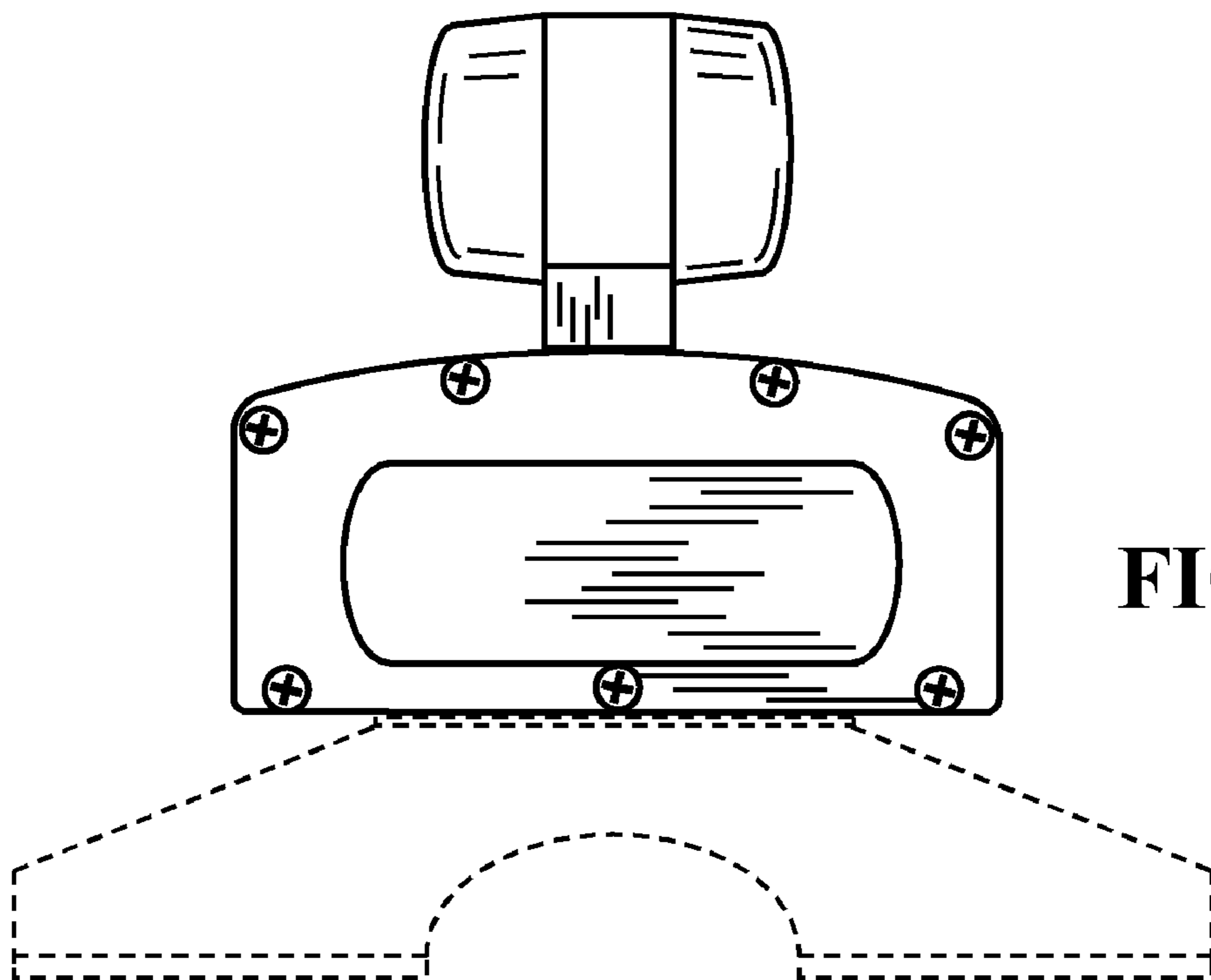
**FIG. 3**



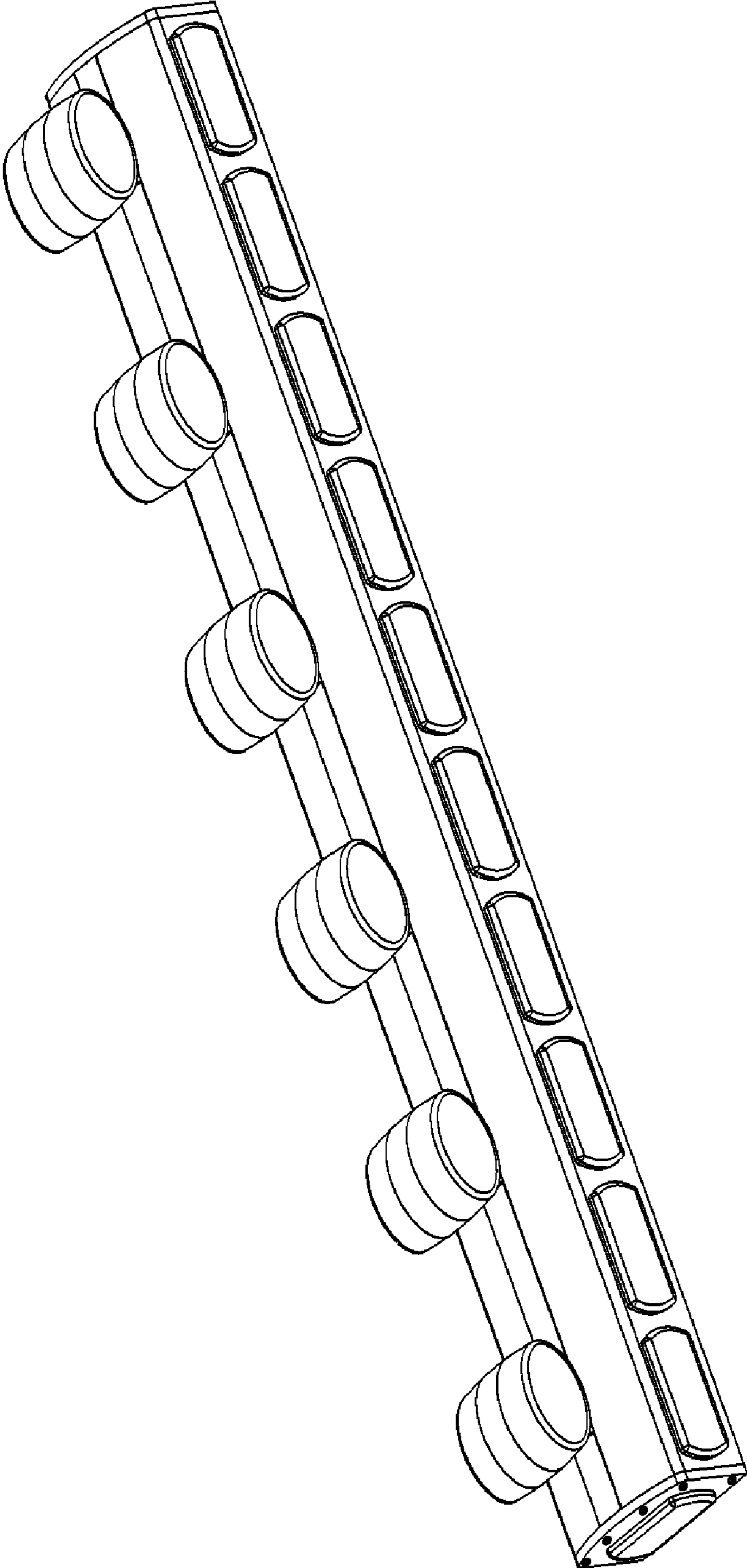
**FIG. 4**



**FIG. 5**



**FIG. 6**



**FIG. 7**

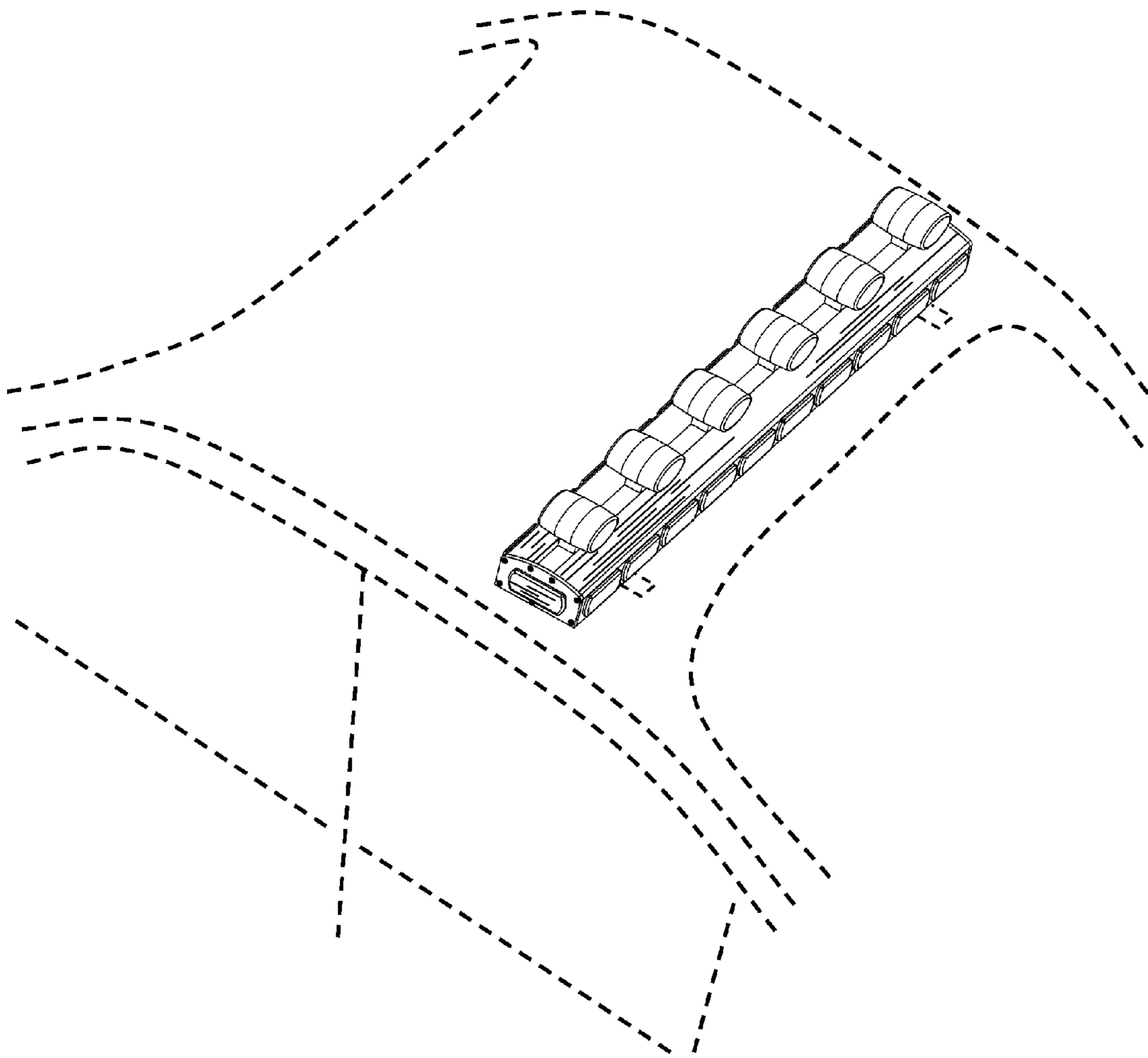


FIG. 8