



US00D591187S

(12) **United States Design Patent**
Pokorny

(10) **Patent No.:** **US D591,187 S**

(45) **Date of Patent:** **** Apr. 28, 2009**

(54) **LENS AND FRAME FOR A WARNING LIGHT**

(75) Inventor: **William J. Pokorny**, Haddam, CT (US)

(73) Assignee: **Whelen Engineering Company, Inc.**,
Chester, CT (US)

(**) Term: **14 Years**

(21) Appl. No.: **29/310,598**

(22) Filed: **Aug. 28, 2008**

Related U.S. Application Data

(62) Division of application No. 29/307,275, filed on Apr. 10, 2008.

(51) **LOC (9) Cl.** **10-05**

(52) **U.S. Cl.** **D10/114; D10/110**

(58) **Field of Classification Search** D10/109,
D10/111, 114; D26/29-31, 60; 340/815.45,
340/908.1, 463; 362/311, 373, 35, 183, 200,
362/196, 191, 459, 460-463, 465
See application file for complete search history.

(56) **References Cited**

U.S. PATENT DOCUMENTS

3,093,320 A * 6/1963 Knapp 362/227
D205,957 S * 10/1966 Nagel D26/28
D215,117 S * 9/1969 Stahl D26/28

D221,106 S * 7/1971 Tixler D26/28
D246,131 S * 10/1977 Schifrin D26/28
D282,687 S * 2/1986 McMahon D26/139
D352,914 S * 11/1994 Sours D10/114
D375,180 S * 10/1996 Lyons D26/28
D402,576 S * 12/1998 Yang et al. D10/111
D483,511 S * 12/2003 Lay et al. D26/80
D542,948 S * 5/2007 Columbro D26/28

* cited by examiner

Primary Examiner—Caron Veynar

Assistant Examiner—George D Kirschbaum

(74) *Attorney, Agent, or Firm*—Alix, Yale & Ristas, LLP

(57) **CLAIM**

The ornamental design for the lens and frame for a warning light, as shown and described.

DESCRIPTION

FIG. 1 is a perspective view of a lens and frame for a warning light showing my new design;

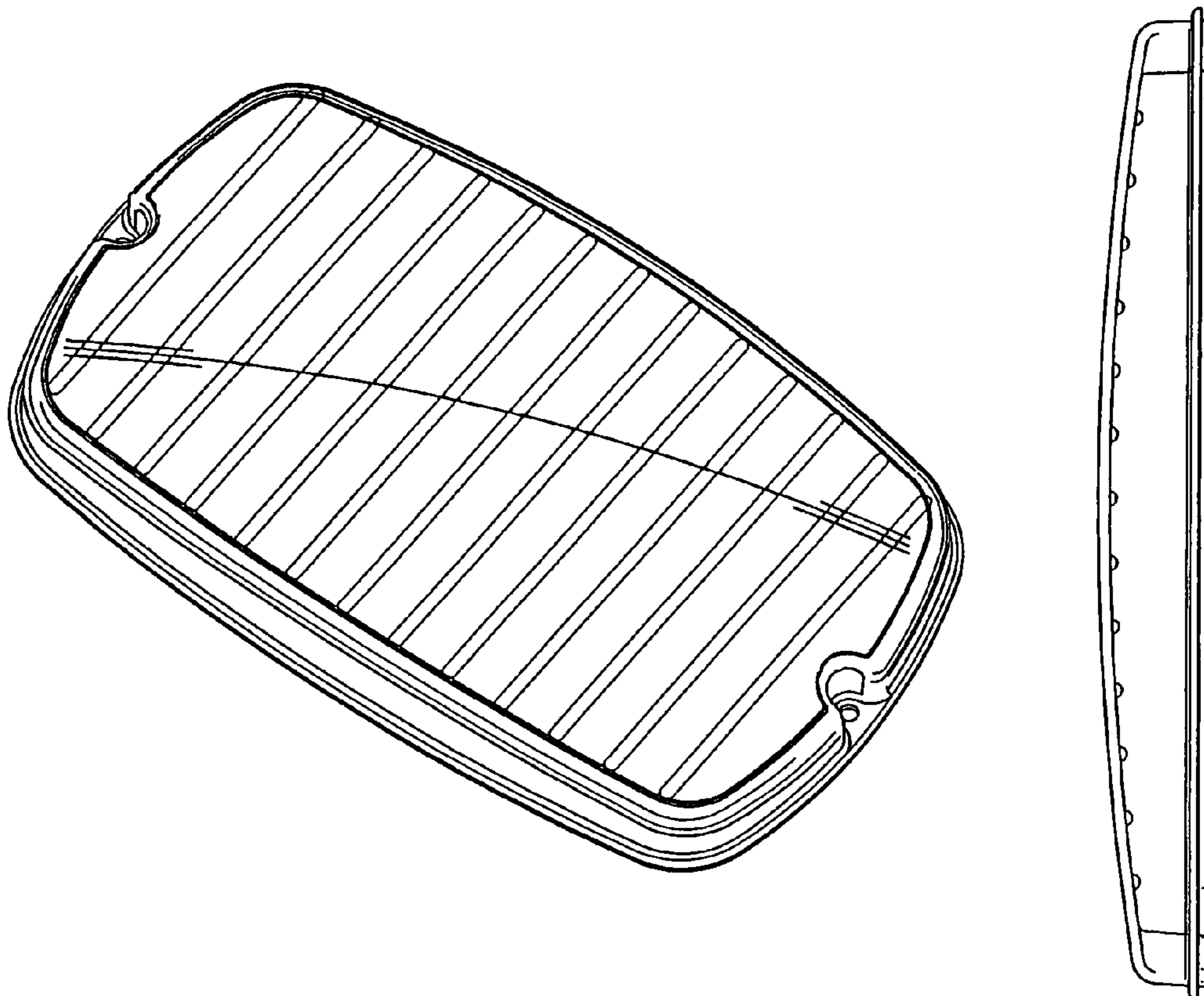
FIG. 2 is a top plan view thereof;

FIG. 3 is right side view, the left side being a mirror image thereof;

FIG. 4 is a bottom plan view thereof; and,

FIG. 5 is an end view, the opposite end being a mirror image thereof.

1 Claim, 2 Drawing Sheets



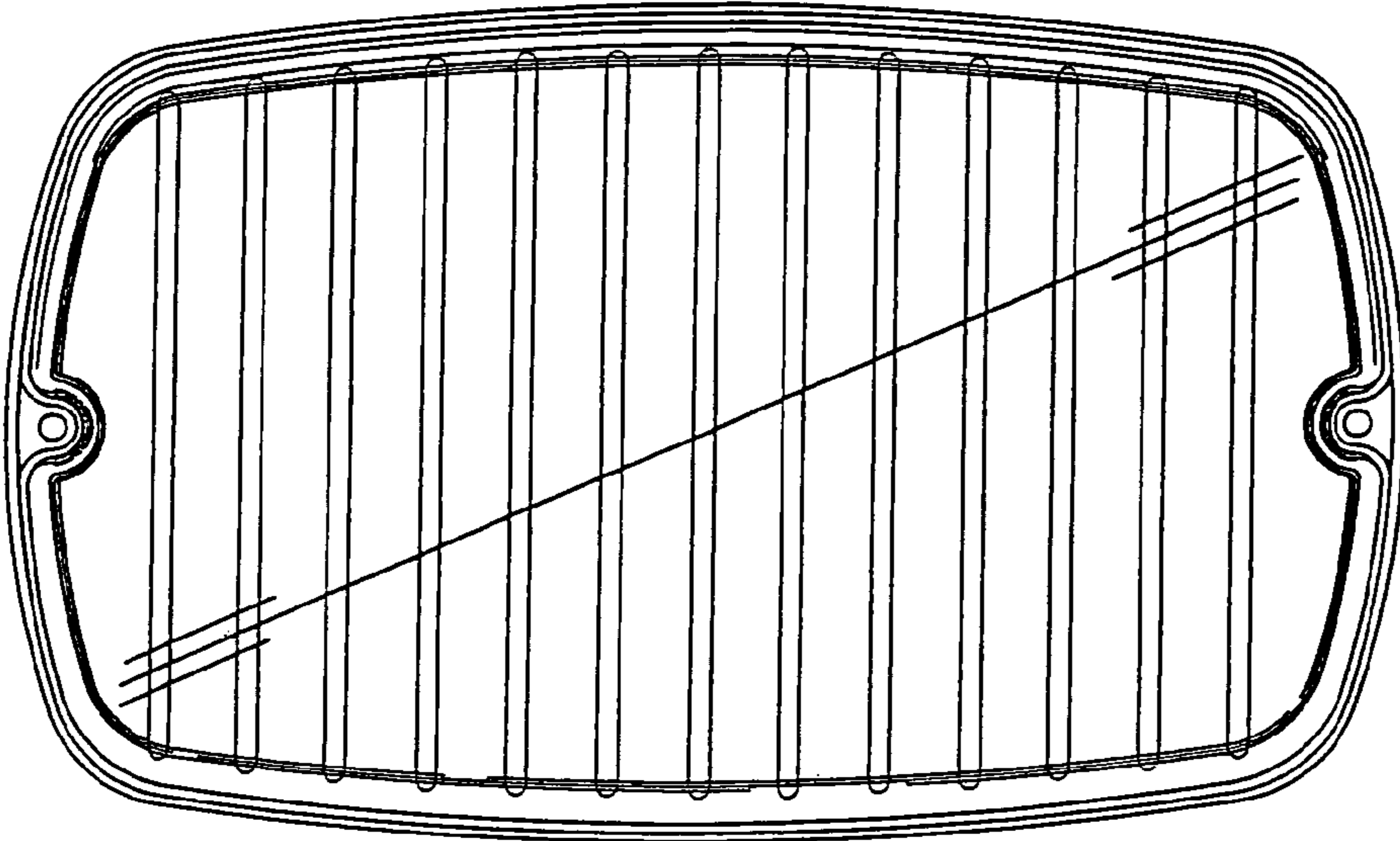


FIG. 2

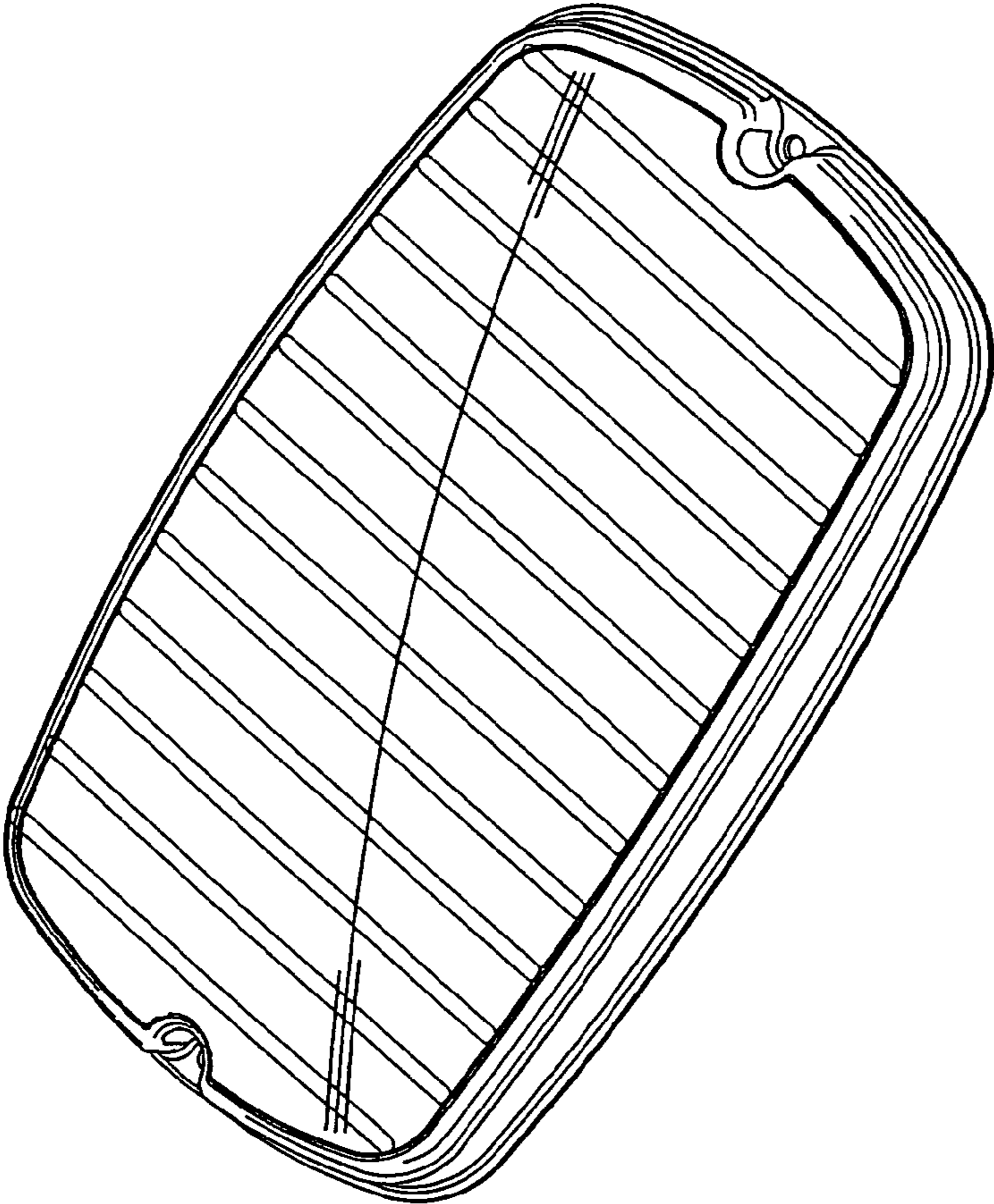


FIG. 1

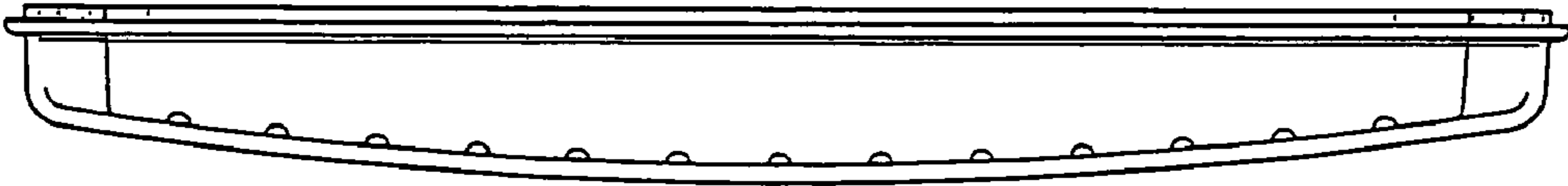


FIG. 3

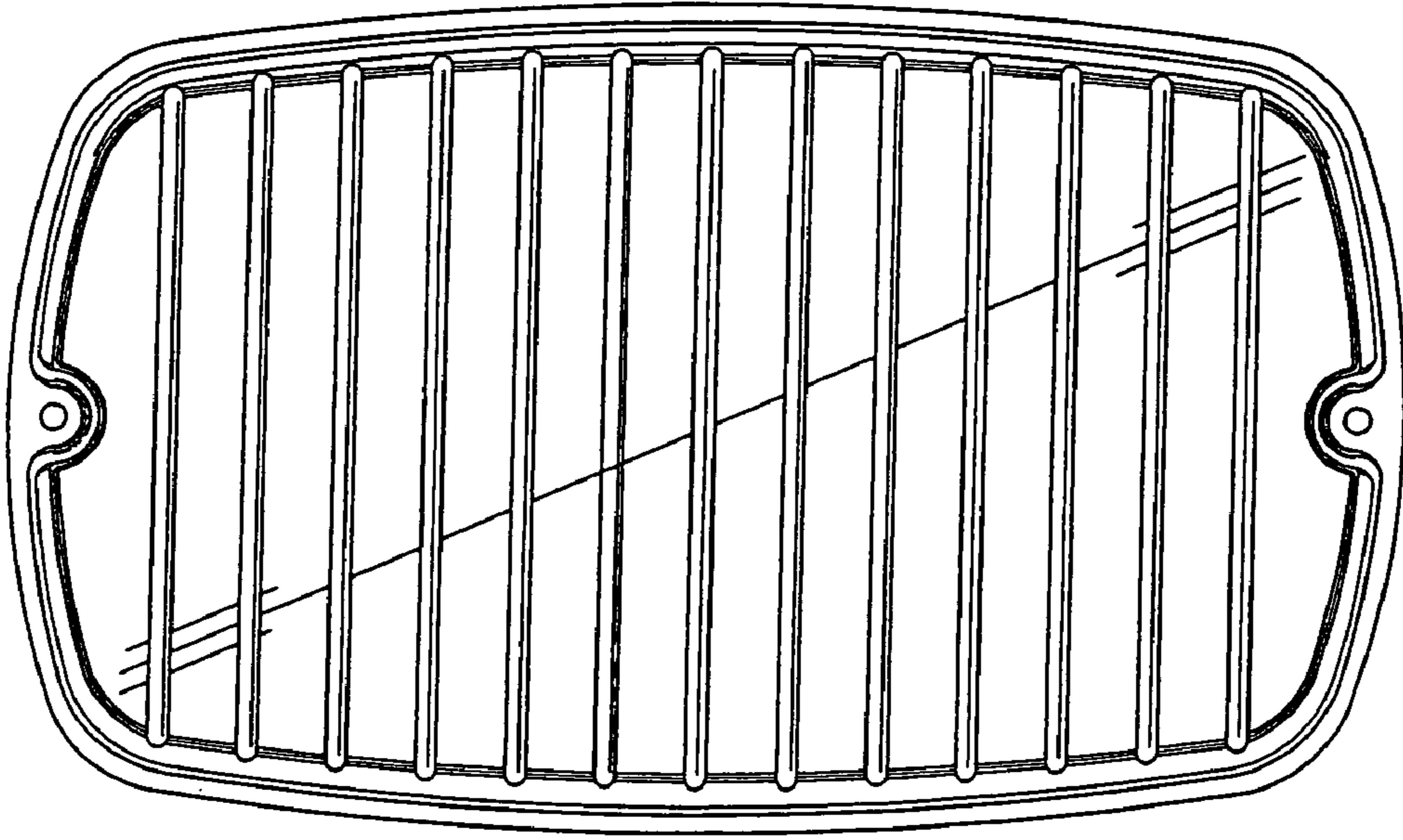


FIG. 4

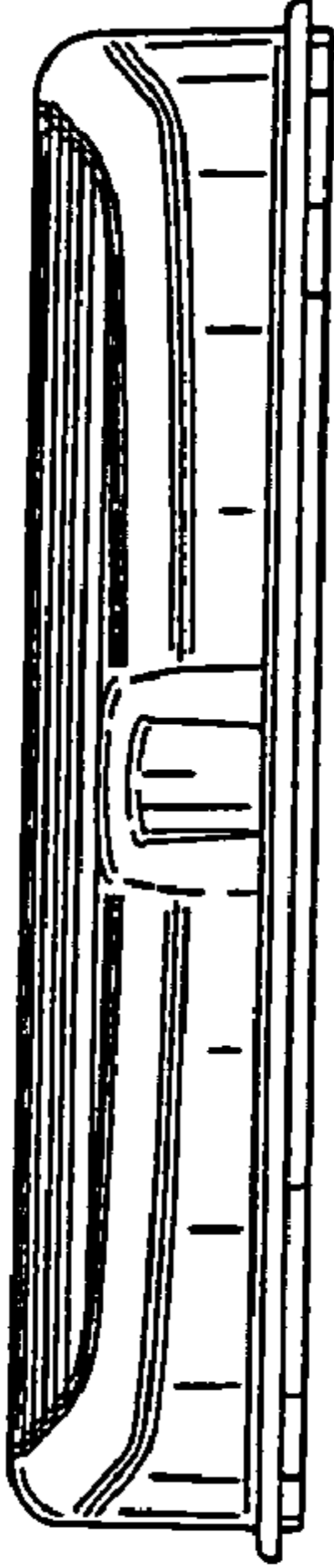


FIG. 5