



US00D591185S

(12) **United States Design Patent**
García-Mauriño Delas

(10) **Patent No.:** **US D591,185 S**
(45) **Date of Patent:** **** Apr. 28, 2009**

(54) **TERMINAL BLOCK ASSEMBLY FOR TESTING KWH METERS**

(76) Inventor: **Fernando García-Mauriño Delas, C.**
Casas i Amigo, 28, Bellaterra
(Barcelona) (ES) 08193

(**) Term: **14 Years**

(21) Appl. No.: **29/303,089**

(22) Filed: **Jan. 31, 2008**

(30) **Foreign Application Priority Data**

Jul. 31, 2007 (EM) 000766845

(51) **LOC (9) Cl.** **10-04**

(52) **U.S. Cl.** **D10/99; D10/100**

(58) **Field of Classification Search** D10/46,
D10/99-100; 29/837, 838, 841, 857, 858,
29/865, 866, 867, 33 M, 882, 883, 884, 885,
29/874, 876, 877, 878, 842; 264/271.1, 272.11;
439/409, 417, 393

See application file for complete search history.

(56) **References Cited**

U.S. PATENT DOCUMENTS

4,343,529 A * 8/1982 Reavis et al. 439/406
4,715,099 A * 12/1987 Yoshida 29/33 M
7,458,840 B2 * 12/2008 Pratt 439/409

OTHER PUBLICATIONS

Technical Data Sheet, UNIBLOC, RB8 Series, Test Terminal Blocks for Longitudinal and/or Perpendicular Disconnect Operation,

Promotora De Mercados Electricos, S.A., Barcelona, Spain.
Technical Data Sheet, UNIBLOC, Indirect Measuring, For Protected Testing Plugs as per EN 61010-031, Promotora De Mercados Electricos, Barcelona, Spain.

* cited by examiner

Primary Examiner—Antoine D Davis

(74) *Attorney, Agent, or Firm*—Peter B. Scull, Esq; Kristina M. Kalan, Esq; Berenbaum, Weinshienk & Eason

(57) **CLAIM**

The ornamental design for a terminal block assembly for testing kWh meters, as shown and described.

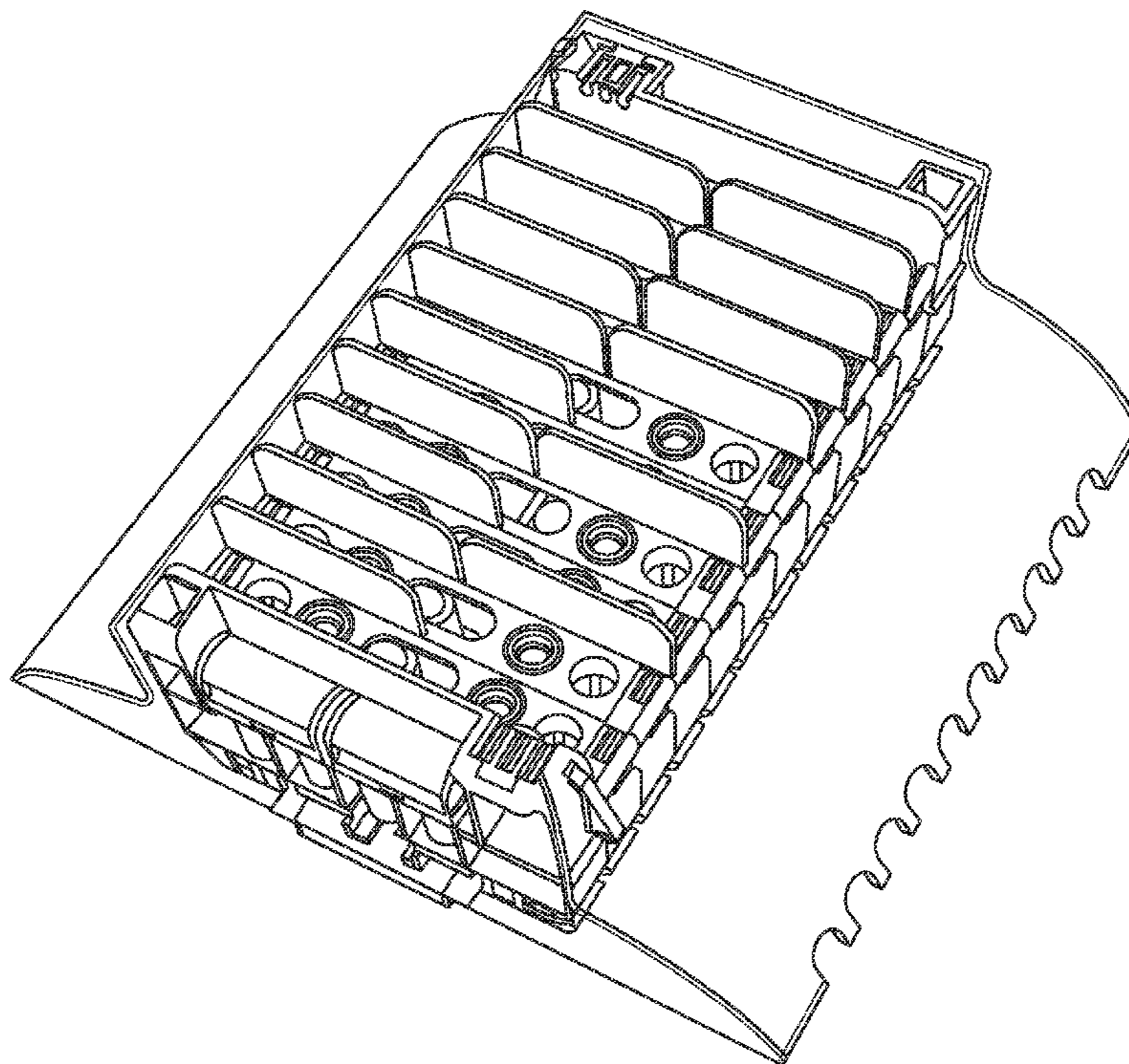
DESCRIPTION

FIG. 1 is an isometric view of a device hereof;
FIG. 2 is a front elevation of a device hereof;
FIG. 3 is a top plan view of a device hereof;
FIG. 4 is a side elevation of a device hereof;
FIG. 5 is a back side elevation of a device hereof;
FIG. 6 is another isometric view of a device hereof; and,
FIG. 7 is an exploded view of a device hereof.

The transparent shield has been eliminated in some view for ease of illustration.

The subject matter hereof relates to testing electrical parts, particularly including kWh meters. A block assembly is providing having a plurality of plug sockets for receiving test plug connectors or jumper plugs. A transparent cover is also provided.

1 Claim, 7 Drawing Sheets



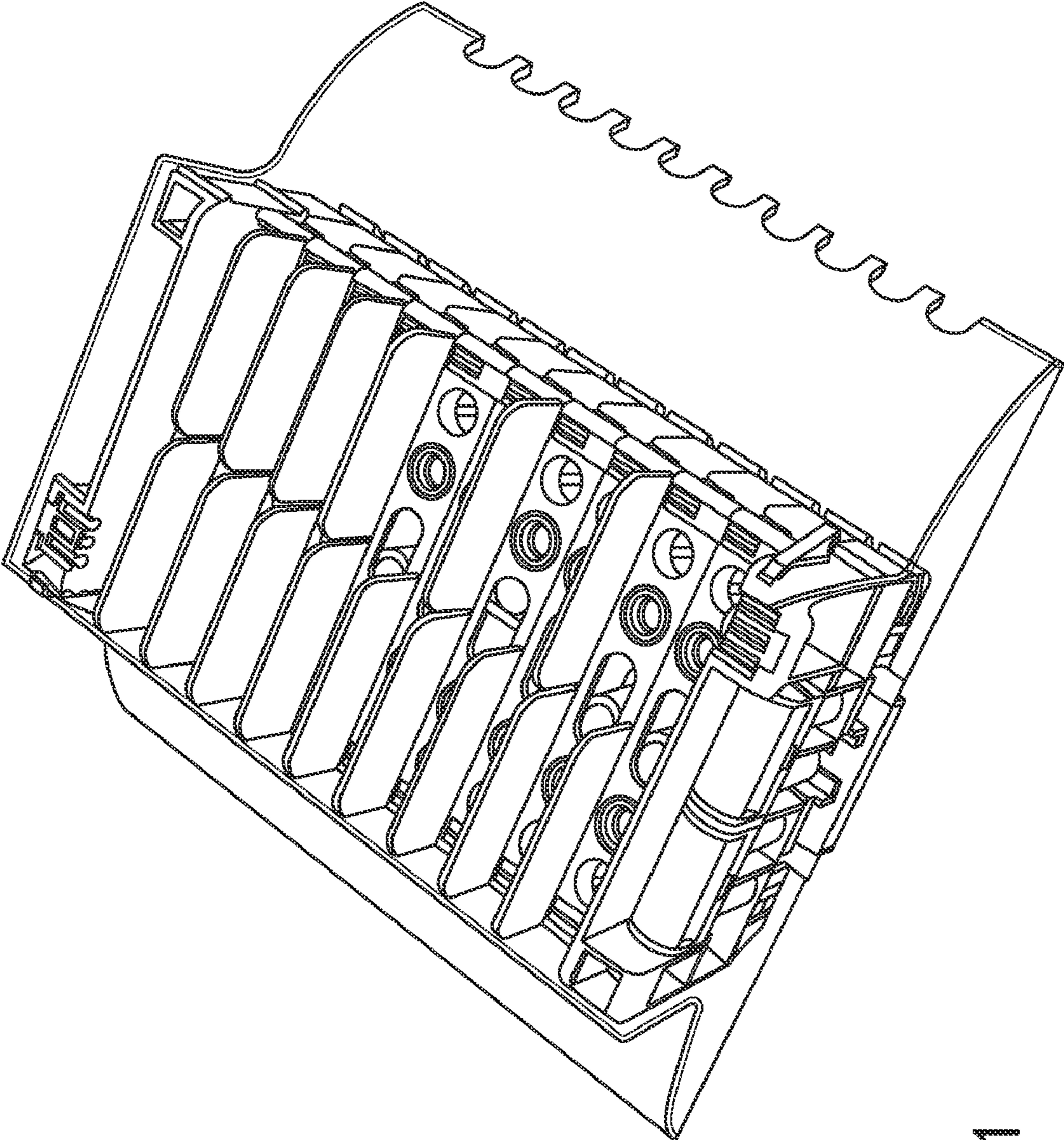


FIG.1

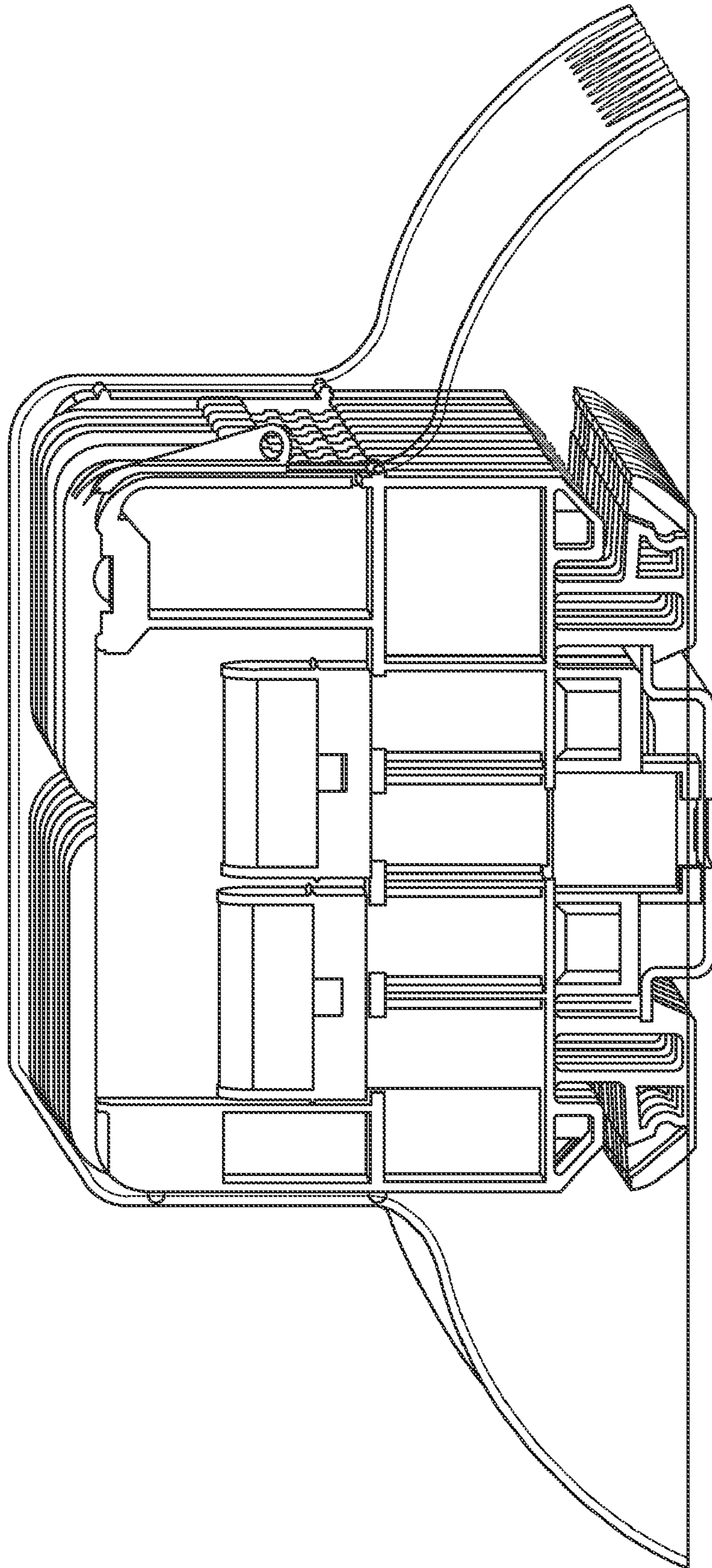


FIG.2

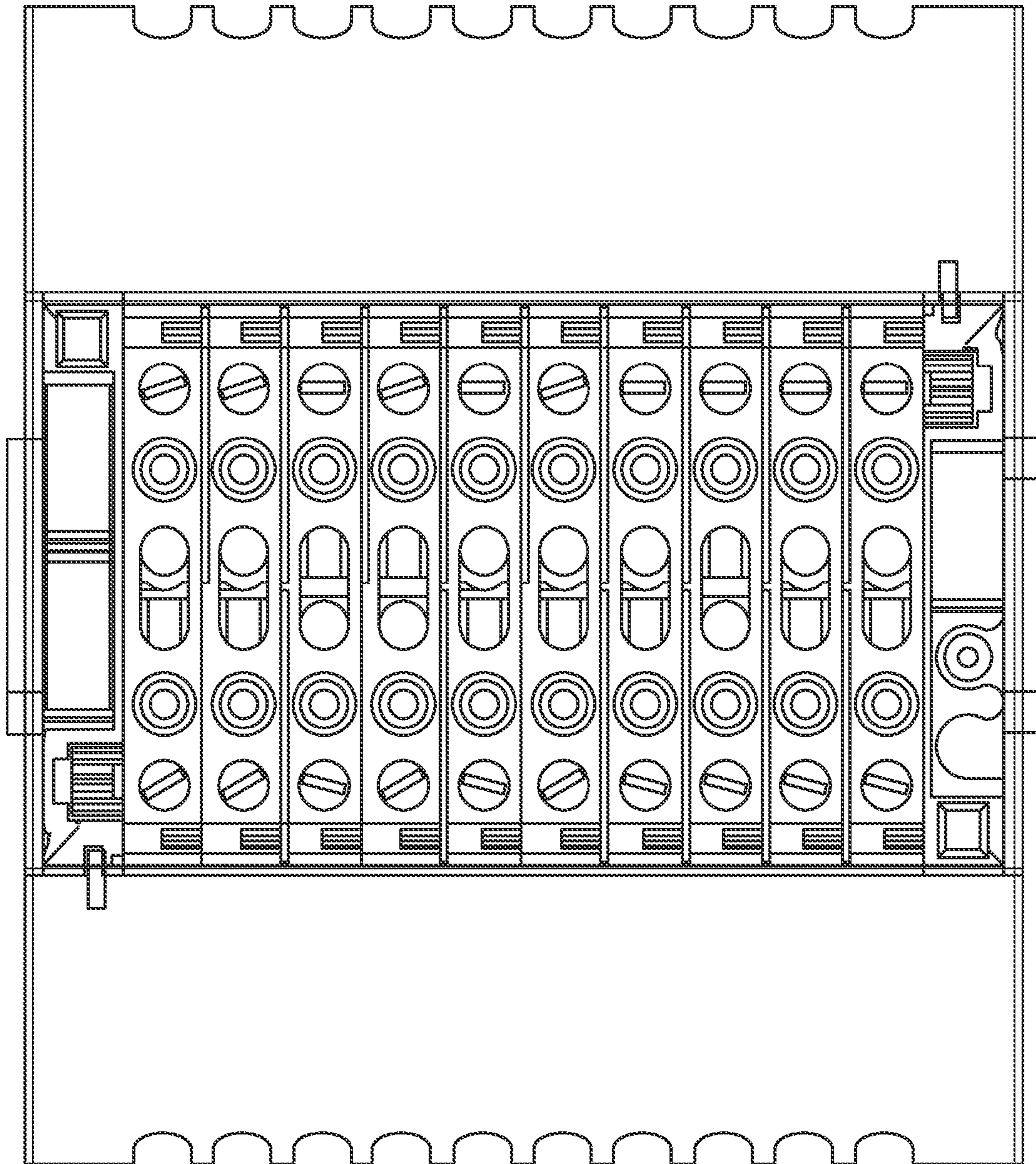


FIG.3

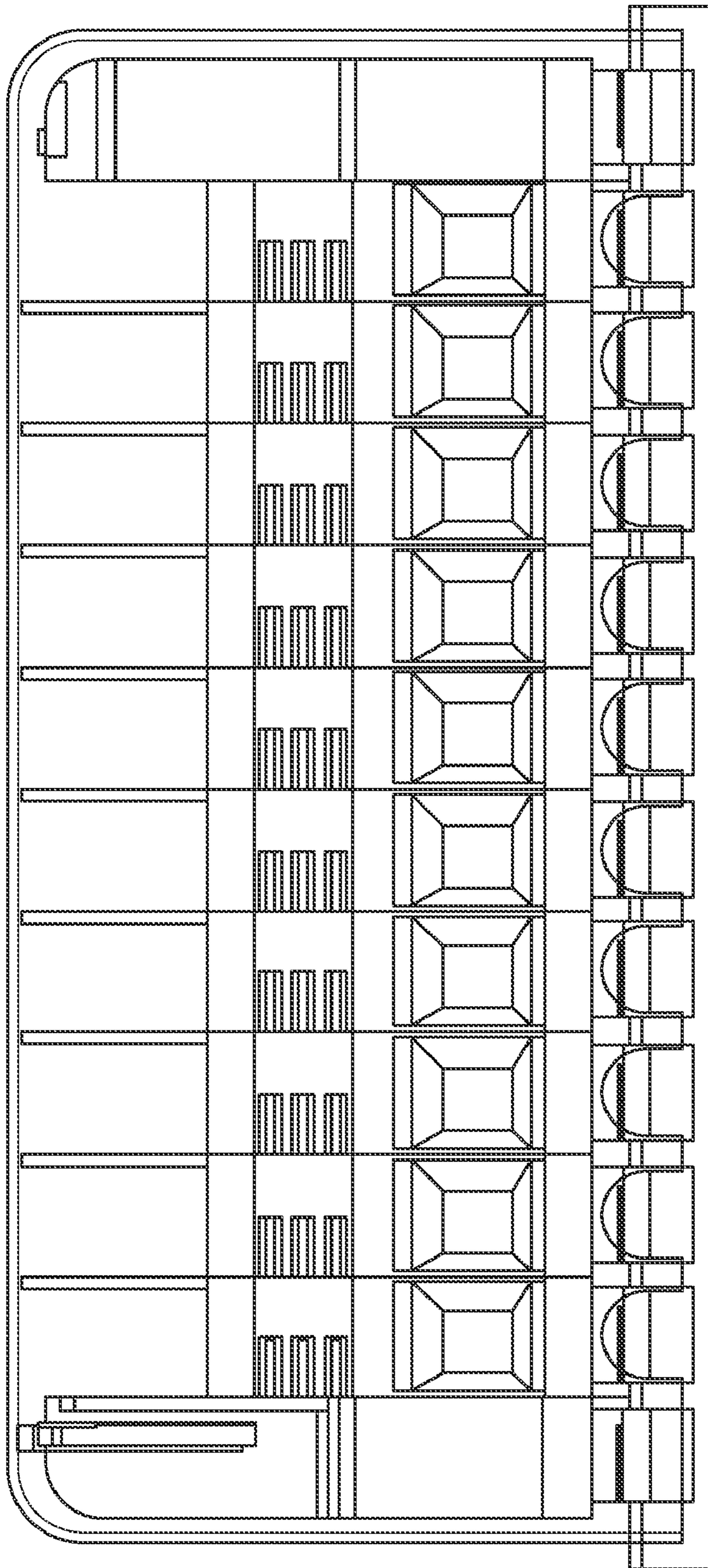


FIG.4

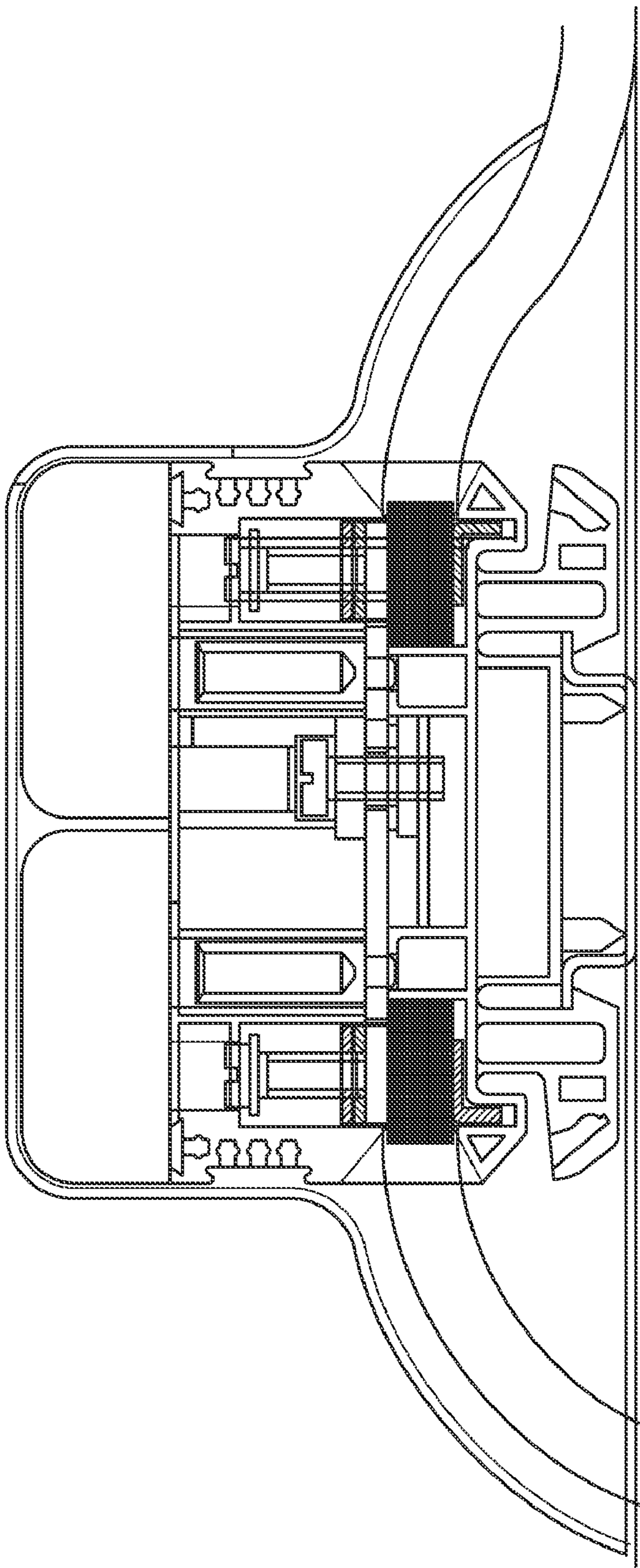


FIG.5

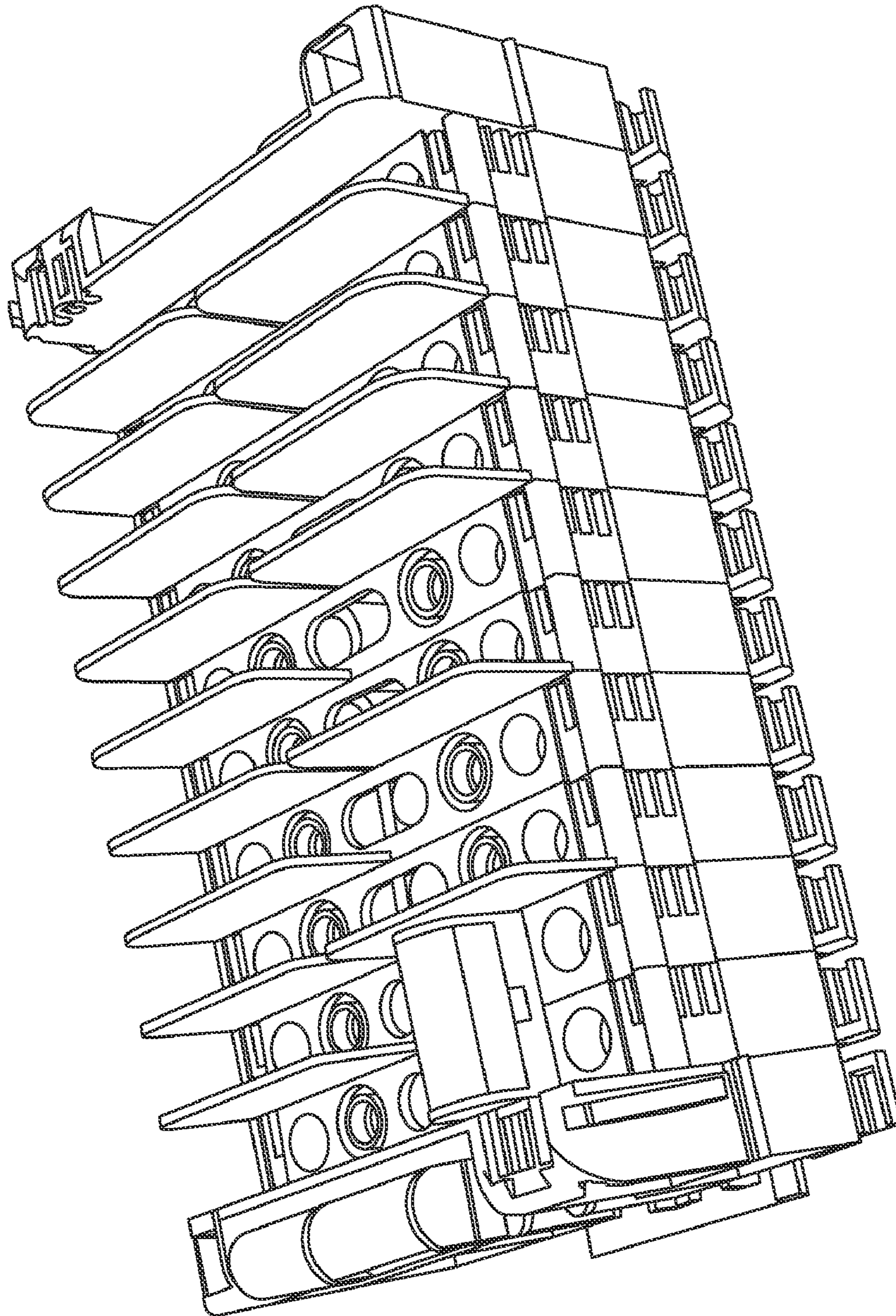


FIG. 6

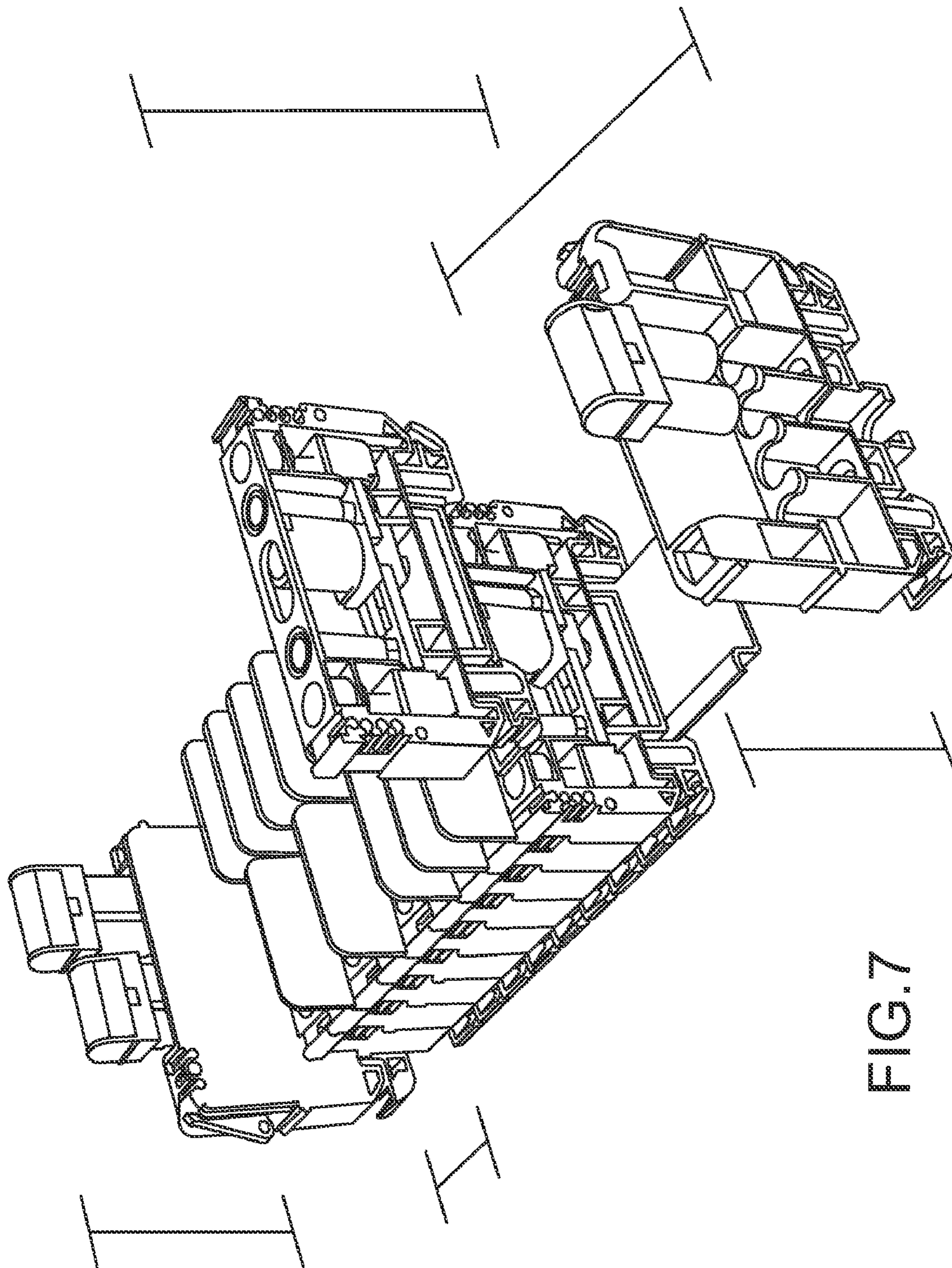


FIG. 7