



US00D591179S

(12) **United States Design Patent**
Loth

(10) **Patent No.:** **US D591,179 S**
(45) **Date of Patent:** **** Apr. 28, 2009**

(54) **WRISTWATCH**

(75) Inventor: **Eric A. Loth**, La Chaux-de-Fonds (CH)

(73) Assignee: **The British Masters SA**, La Chaux-de-Fonds (CH)

(**) Term: **14 Years**

(21) Appl. No.: **29/287,380**

(22) Filed: **Jul. 31, 2007**

(30) **Foreign Application Priority Data**

Apr. 10, 2007 (CH) 133864

(51) **LOC (9) Cl.** **10-02**

(52) **U.S. Cl.** **D10/39**

(58) **Field of Classification Search** D10/30-39,
D10/122-132; 368/276, 281, 282, 285, 308,
368/319, 28, 80, 223, 228, 232, 294, 295,
368/288, 296; D11/3

See application file for complete search history.

(56) **References Cited**

U.S. PATENT DOCUMENTS

3,427,800	A *	2/1969	Blum	368/223
3,431,722	A *	3/1969	Haas	235/61 R
3,665,701	A *	5/1972	Burdet	368/295
D240,026	S *	5/1976	Szalek	D10/126
D306,981	S *	4/1990	Bettelini	D11/3
5,226,023	A *	7/1993	Grimm	368/223
5,282,179	A *	1/1994	Vuilleumier	368/28
D391,176	S *	2/1998	Bulgari	D10/39
D447,705	S *	9/2001	Scheufele	D10/39

D452,175	S *	12/2001	Finazzi	D10/39
D459,241	S *	6/2002	Bodino	D10/32
D460,002	S *	7/2002	Wunderman	D10/32
6,456,569	B1 *	9/2002	Stauffer	368/236
D473,473	S *	4/2003	Wunderman	D10/32
6,679,624	B1 *	1/2004	Mouawad	368/216
D507,499	S *	7/2005	Bulgari	D10/32
D533,468	S *	12/2006	Loth	D10/32
D536,996	S *	2/2007	Loth	D10/32
D538,184	S *	3/2007	Scheufele	D10/39

* cited by examiner

Primary Examiner—Lucy Lieberman

(74) *Attorney, Agent, or Firm*—Sughrue Mion, PLLC

(57) **CLAIM**

The ornamental design for a wristwatch, as shown and described.

DESCRIPTION

FIG. 1 is a perspective view of the front and right side of a wristwatch showing my new design;

FIG. 2 is a front elevational view thereof;

FIG. 3 is a rear elevational view thereof;

FIG. 4 is a right side elevational view thereof;

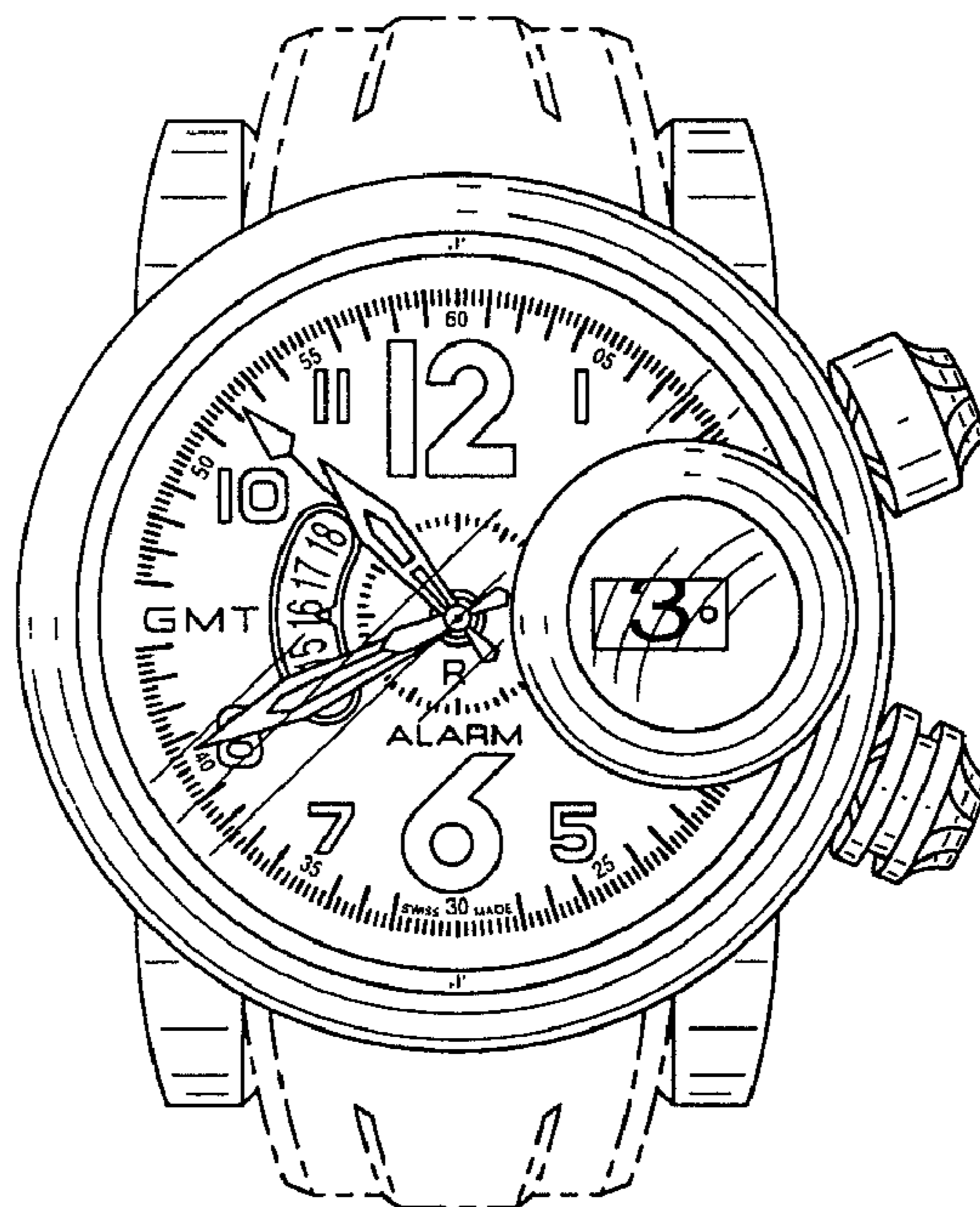
FIG. 5 is a left side elevational view thereof;

FIG. 6 is a top plan view thereof; and,

FIG. 7 is a bottom plan view thereof.

The broken lines shown in the drawing are for illustrative purposes only and form no part of the claimed design.

1 Claim, 2 Drawing Sheets



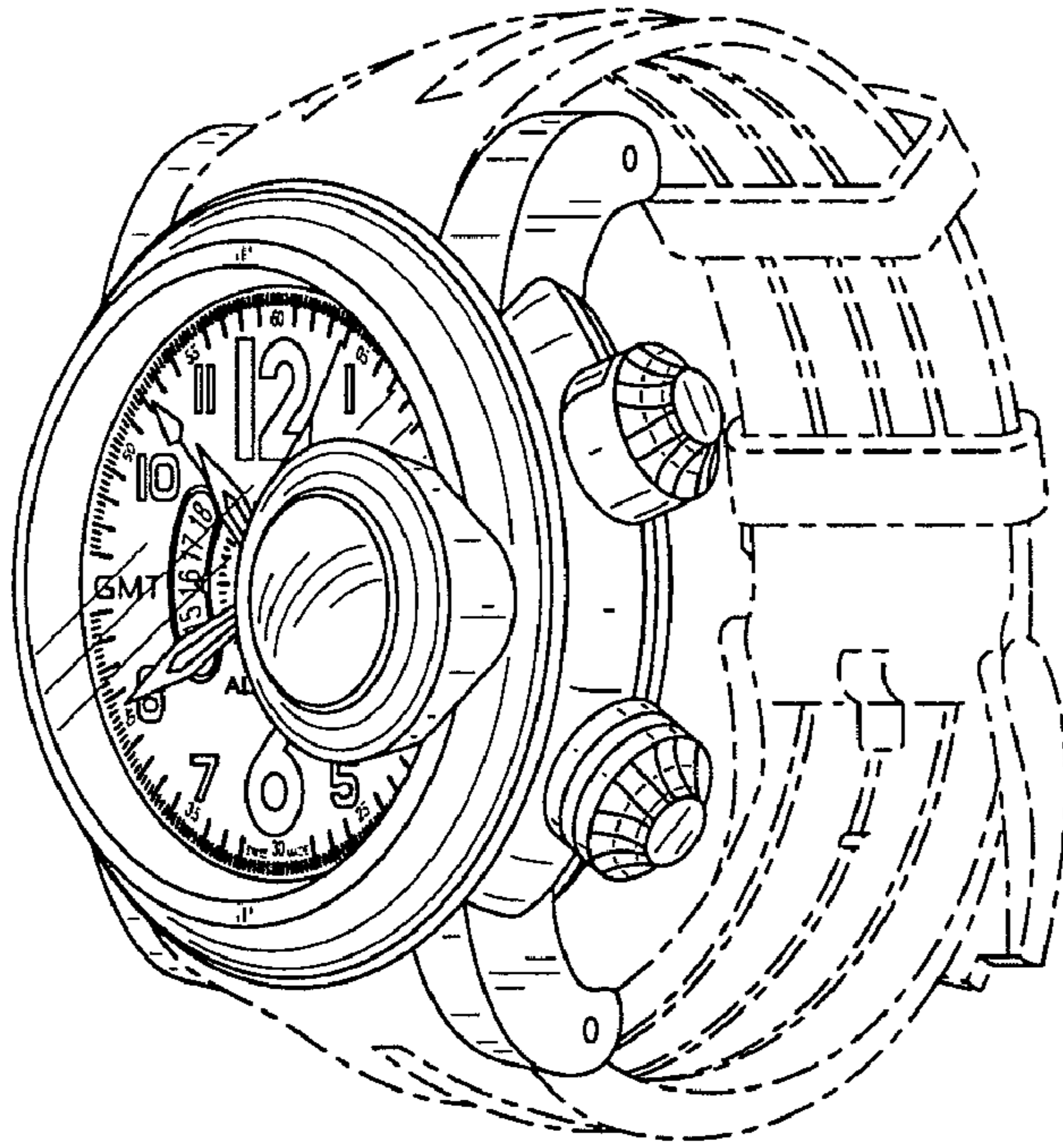


FIG. 1

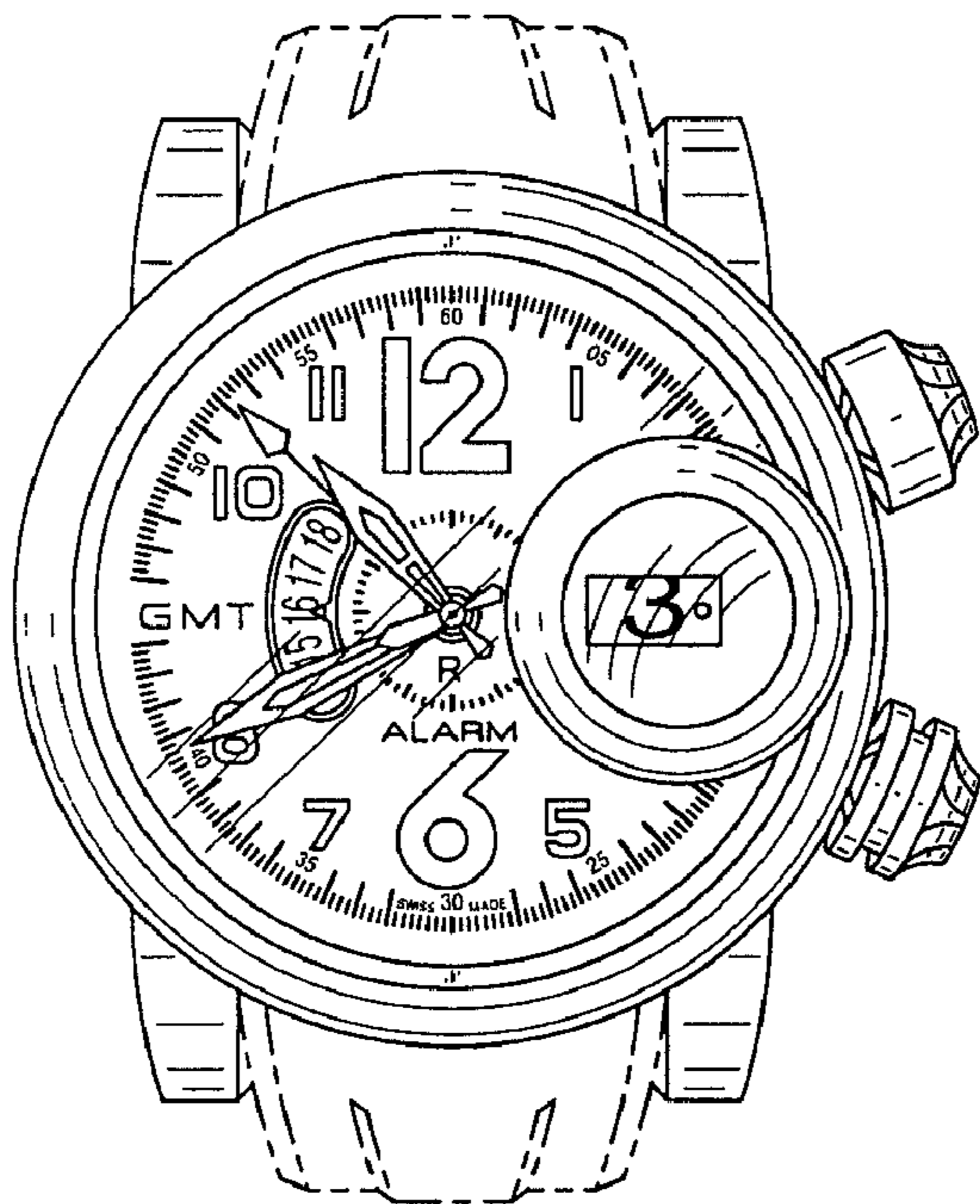


FIG. 2

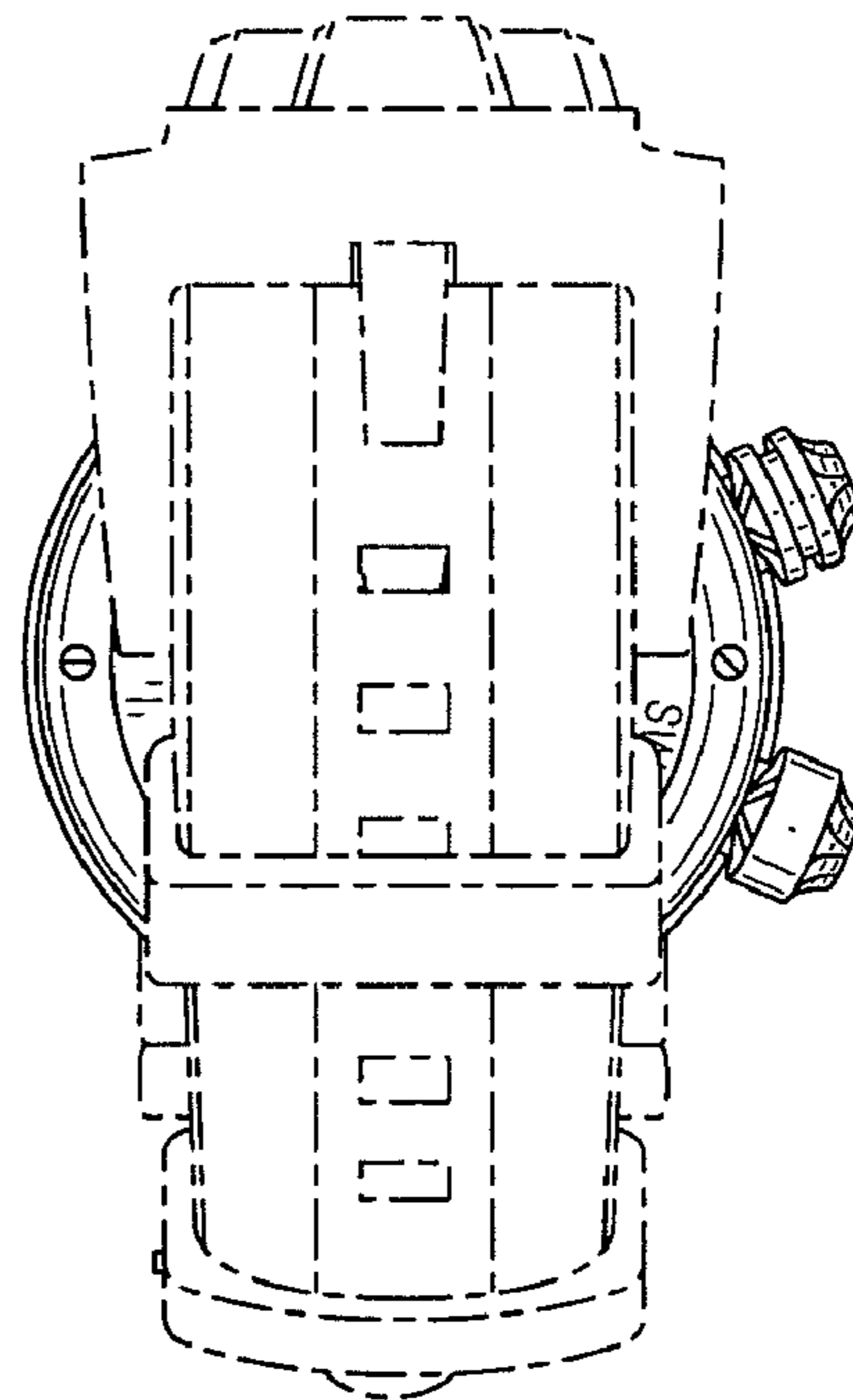


FIG. 3

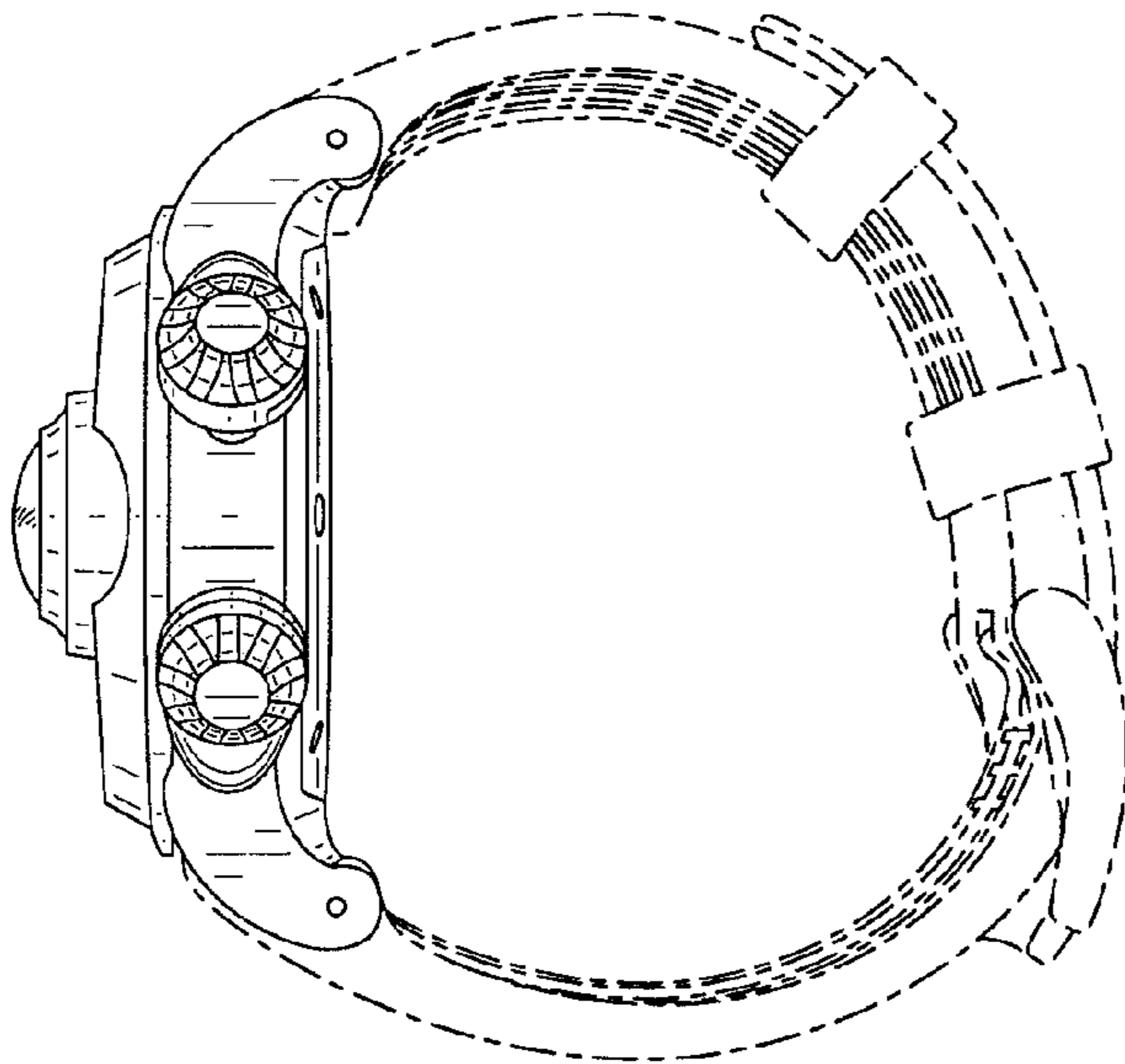


FIG. 4

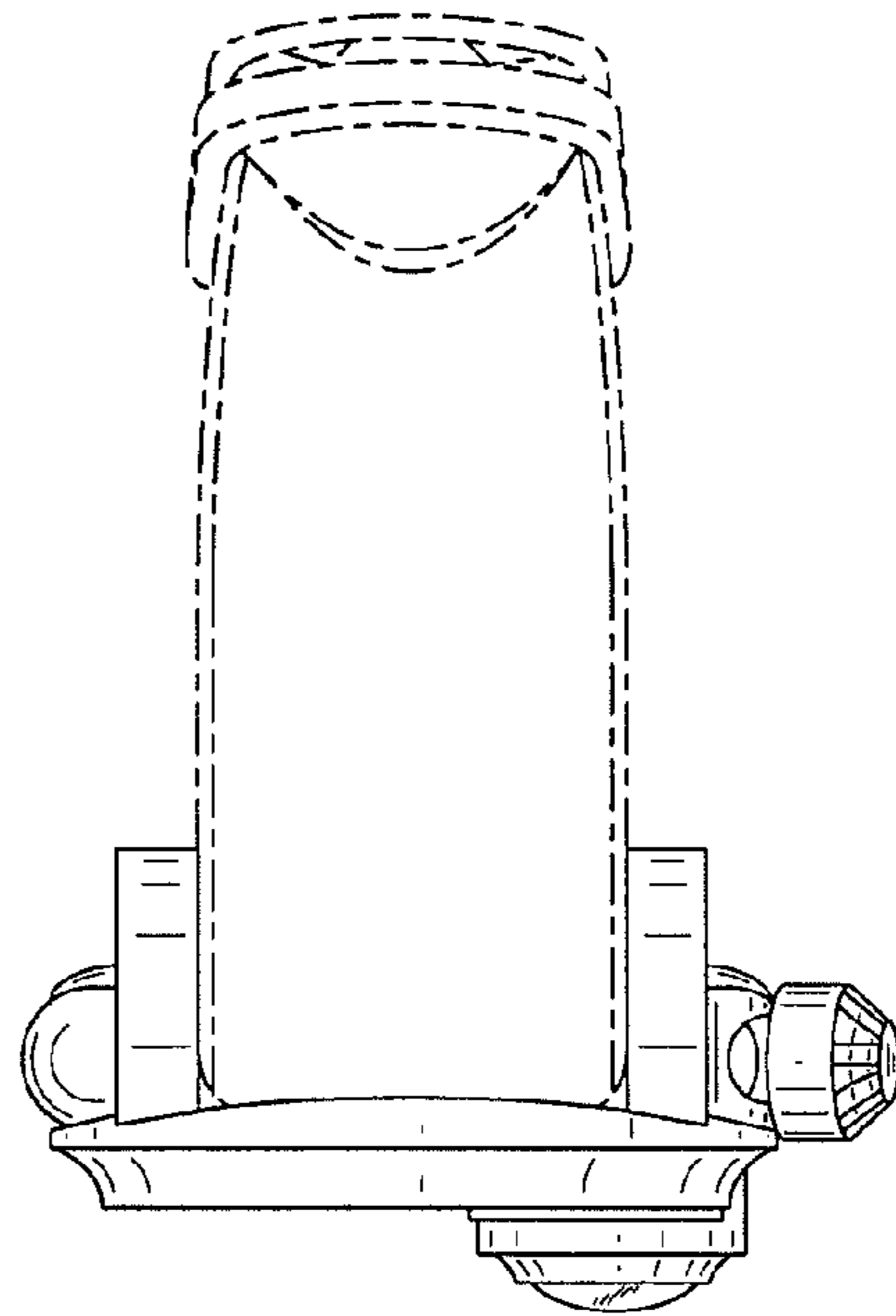


FIG. 6

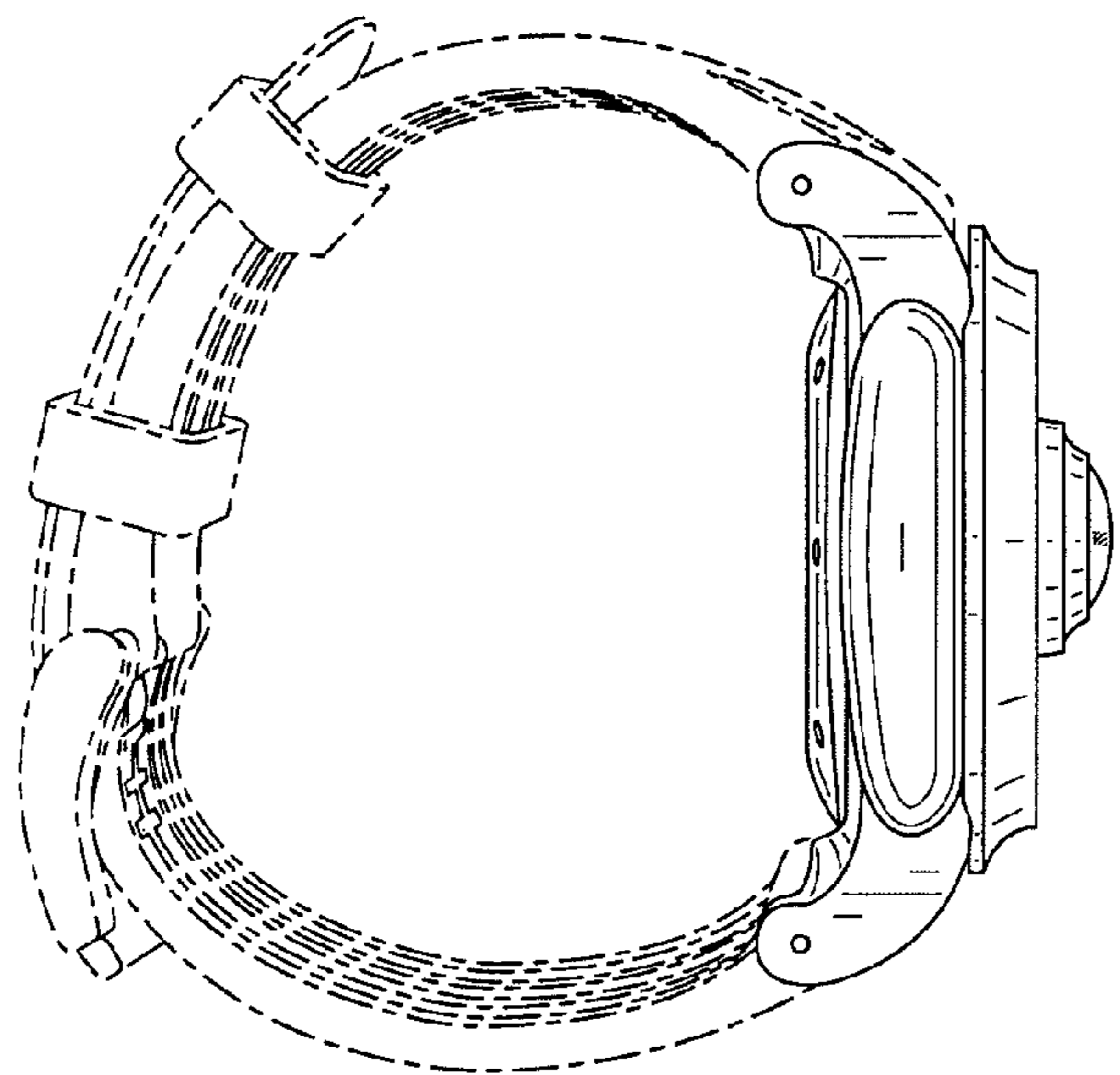


FIG. 5

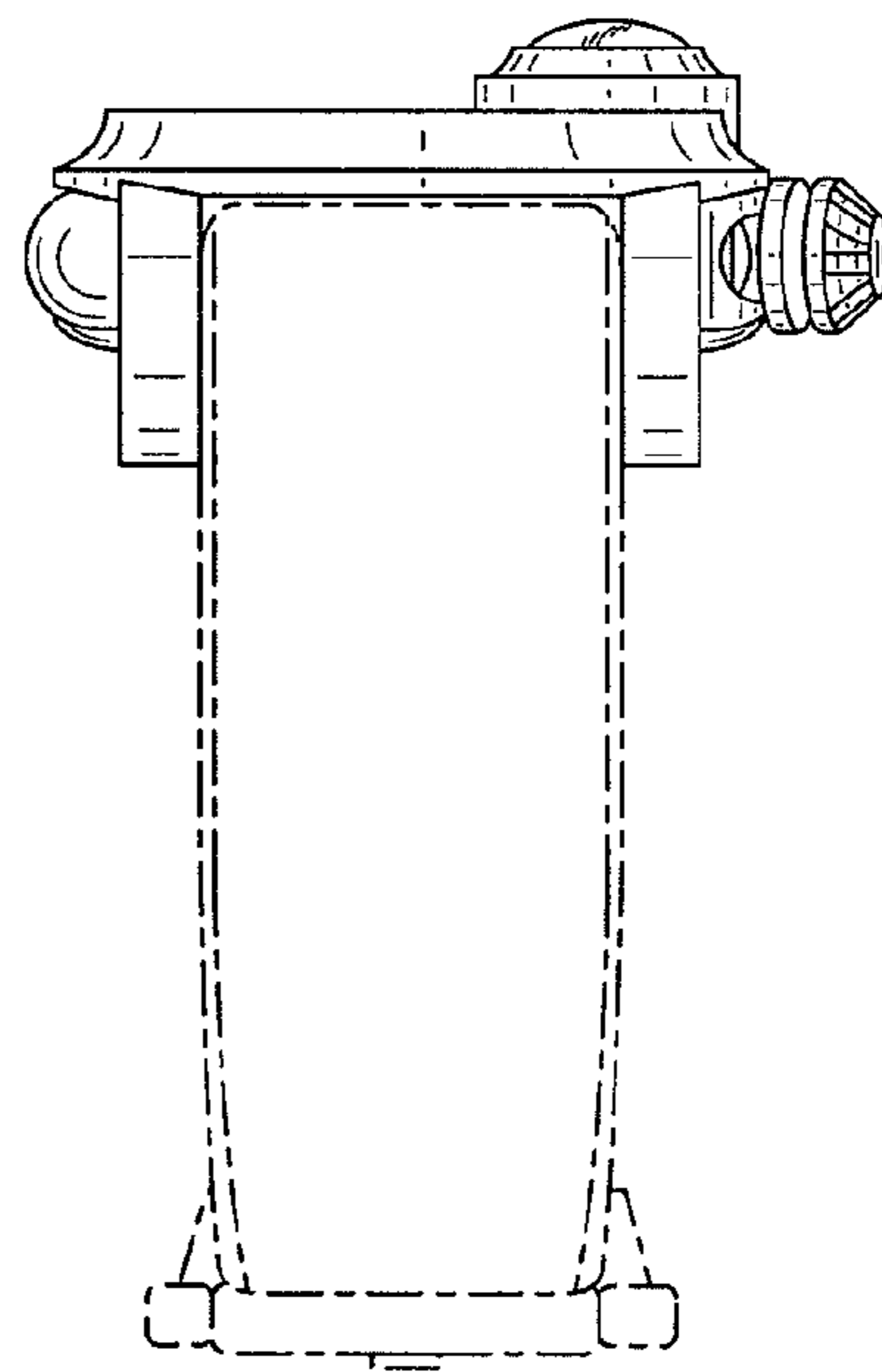


FIG. 7