



US00D591178S

(12) **United States Design Patent**
Magada

(10) **Patent No.:** **US D591,178 S**

(45) **Date of Patent:** **** Apr. 28, 2009**

(54) **WATCH CASE**

(75) Inventor: **Aldo Magada**, Saint-Prex (CH)

(73) Assignee: **Badollet International SA**, Geneva (CH)

(**) Term: **14 Years**

(21) Appl. No.: **29/290,637**

(22) Filed: **Dec. 28, 2007**

(30) **Foreign Application Priority Data**

Oct. 11, 2007 (CH) 134412

(51) **LOC (9) Cl.** **10-02**

(52) **U.S. Cl.** **D10/38**

(58) **Field of Classification Search** D10/30-39;
368/276, 280, 281, 282, 285
See application file for complete search history.

(56) **References Cited**

U.S. PATENT DOCUMENTS

D224,913 S	*	10/1972	Maroni	D10/32
D386,421 S	*	11/1997	Kennedy	D10/30
D438,473 S	*	3/2001	Dumas	D10/39
D447,063 S	*	8/2001	Scheufele	D10/30
D447,705 S	*	9/2001	Scheufele	D10/39
D460,002 S	*	7/2002	Wunderman	D10/32
D473,473 S	*	4/2003	Wunderman	D10/32

D504,624 S	*	5/2005	Bodino	D10/39
D509,150 S	*	9/2005	Bodino	D10/32
D520,384 S	*	5/2006	Scheufele	D10/39
D530,225 S	*	10/2006	Wunderman	D10/32
D530,229 S	*	10/2006	Wunderman	D10/32
D533,470 S	*	12/2006	Krieger	D10/39
D536,996 S	*	2/2007	Loth	D10/32
D547,677 S	*	7/2007	Kume et al.	D10/38
D551,095 S	*	9/2007	Monachon	D10/32
D551,100 S	*	9/2007	Okaya	D10/38
D555,520 S	*	11/2007	Strasser	D10/39

* cited by examiner

Primary Examiner—Lucy Lieberman

(74) *Attorney, Agent, or Firm*—Sughrue Mion, PLLC

(57) **CLAIM**

The ornamental design for a watch case, as shown.

DESCRIPTION

FIG. 1 is a perspective view of the front and right side of a watch case showing my new design;

FIG. 2 is a front elevational view thereof;

FIG. 3 is a rear elevational view thereof;

FIG. 4 is a right side elevational view thereof;

FIG. 5 is a left side elevational view thereof;

FIG. 6 is a top plan view thereof; and,

FIG. 7 is a bottom plan view thereof.

1 Claim, 2 Drawing Sheets

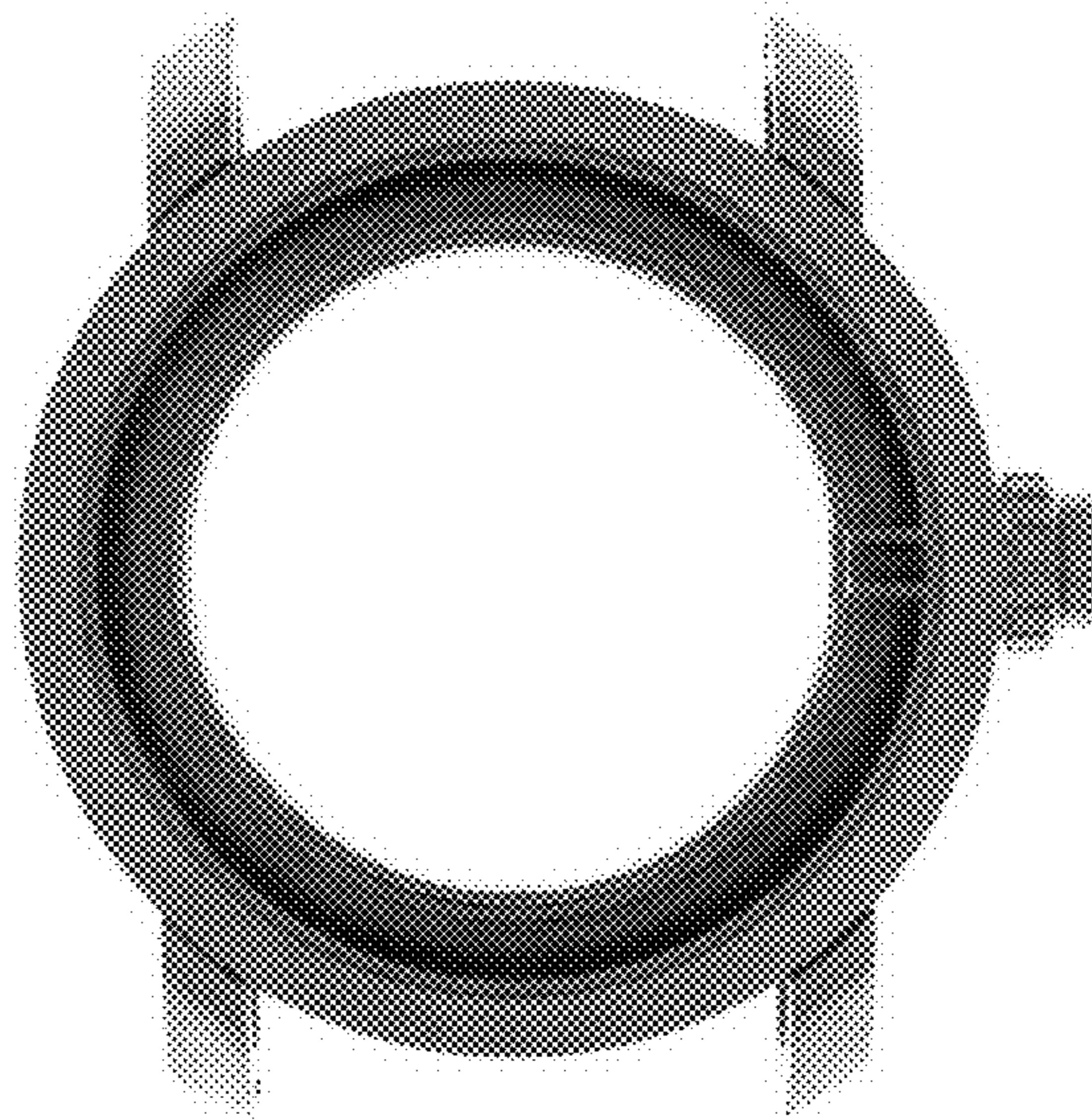
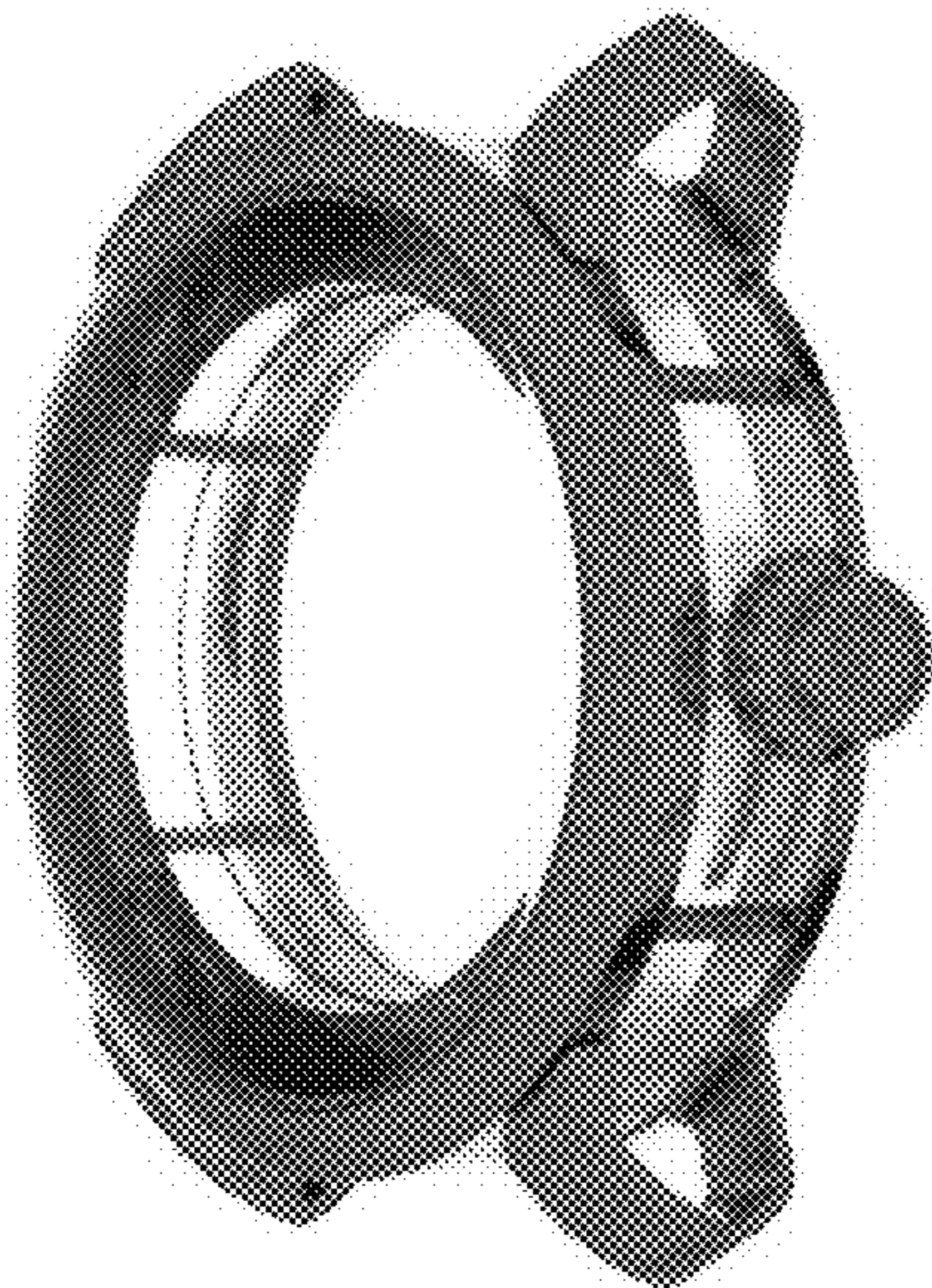


FIG. 1

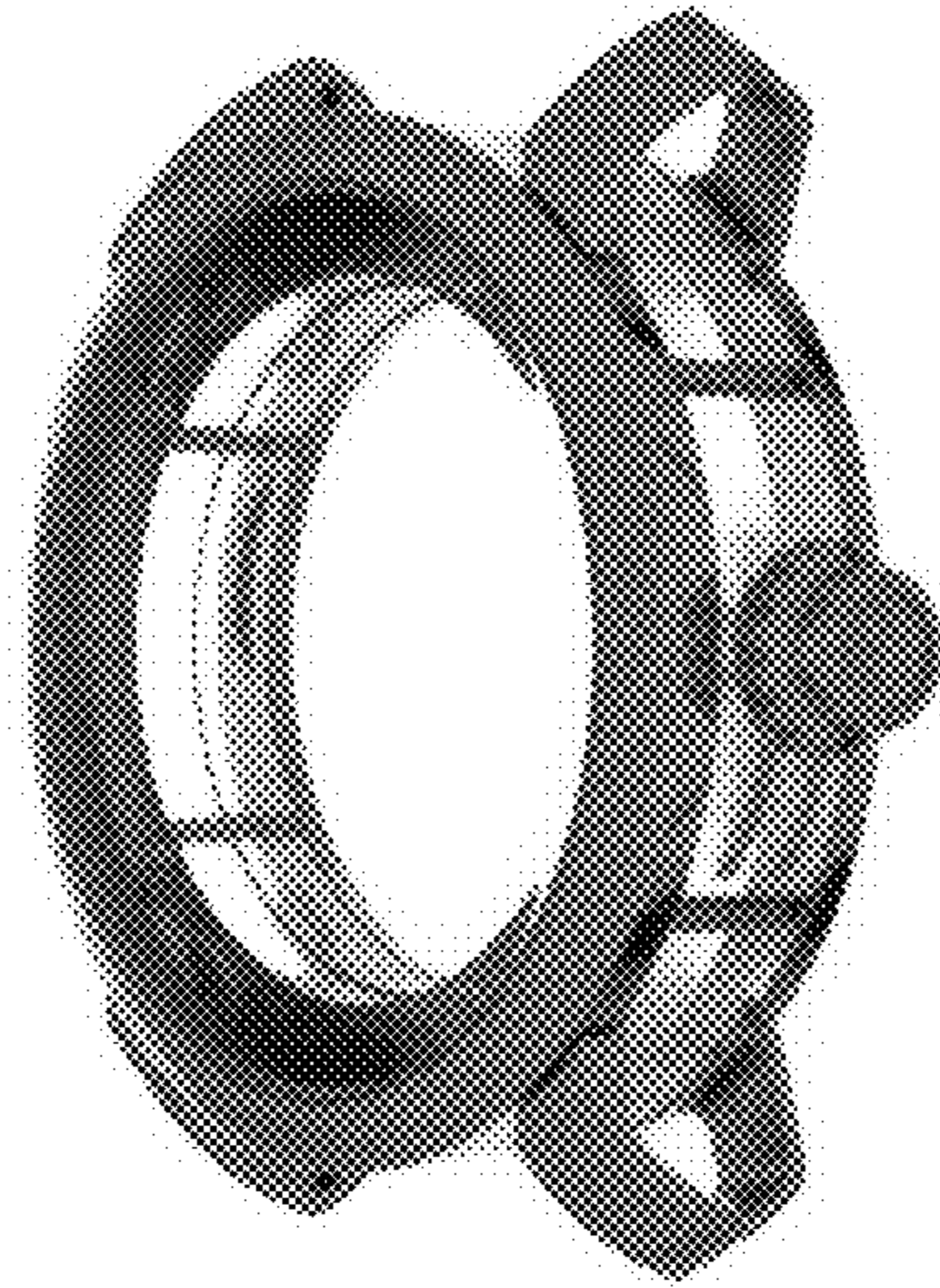


FIG. 2

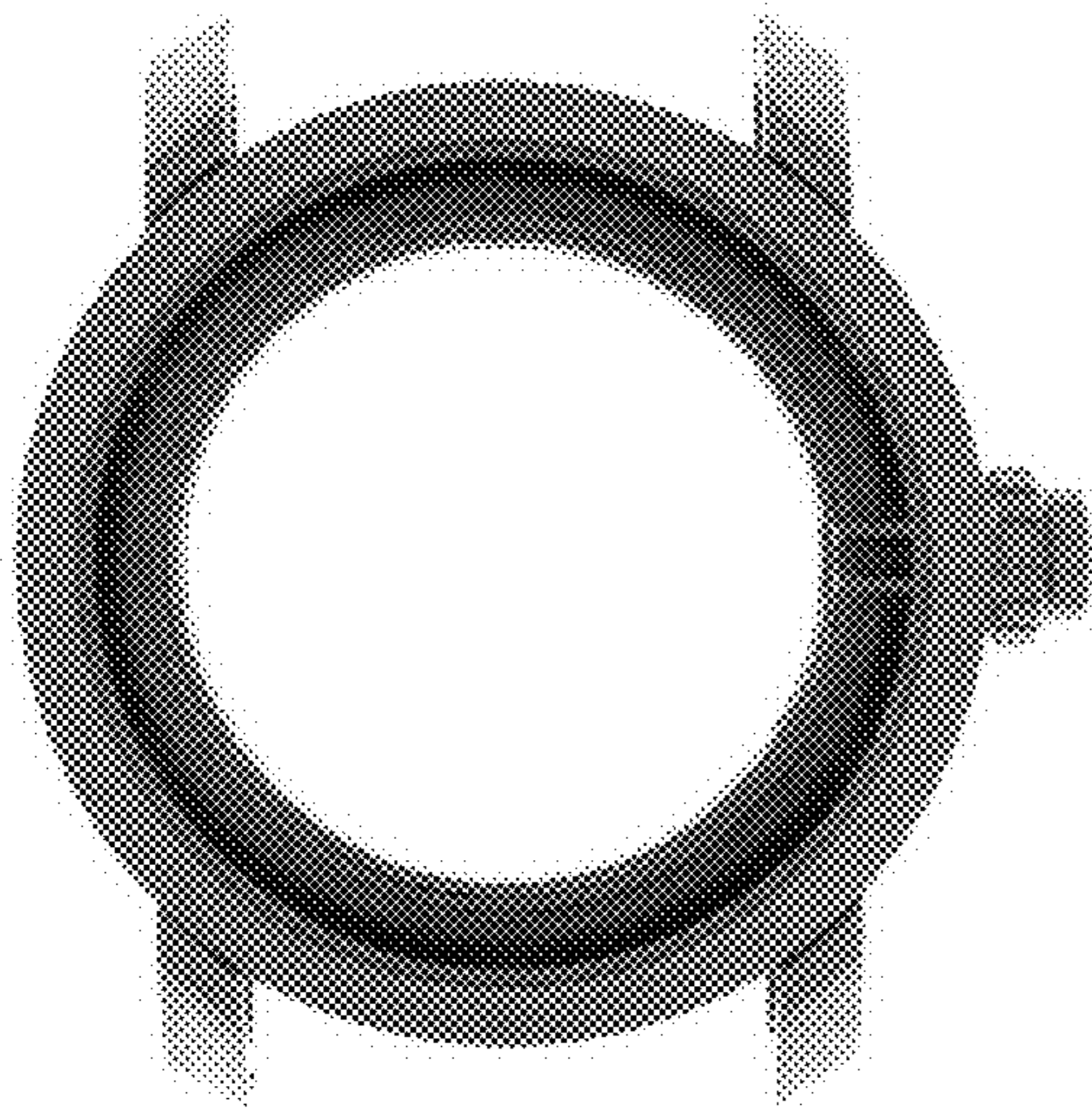


FIG. 3

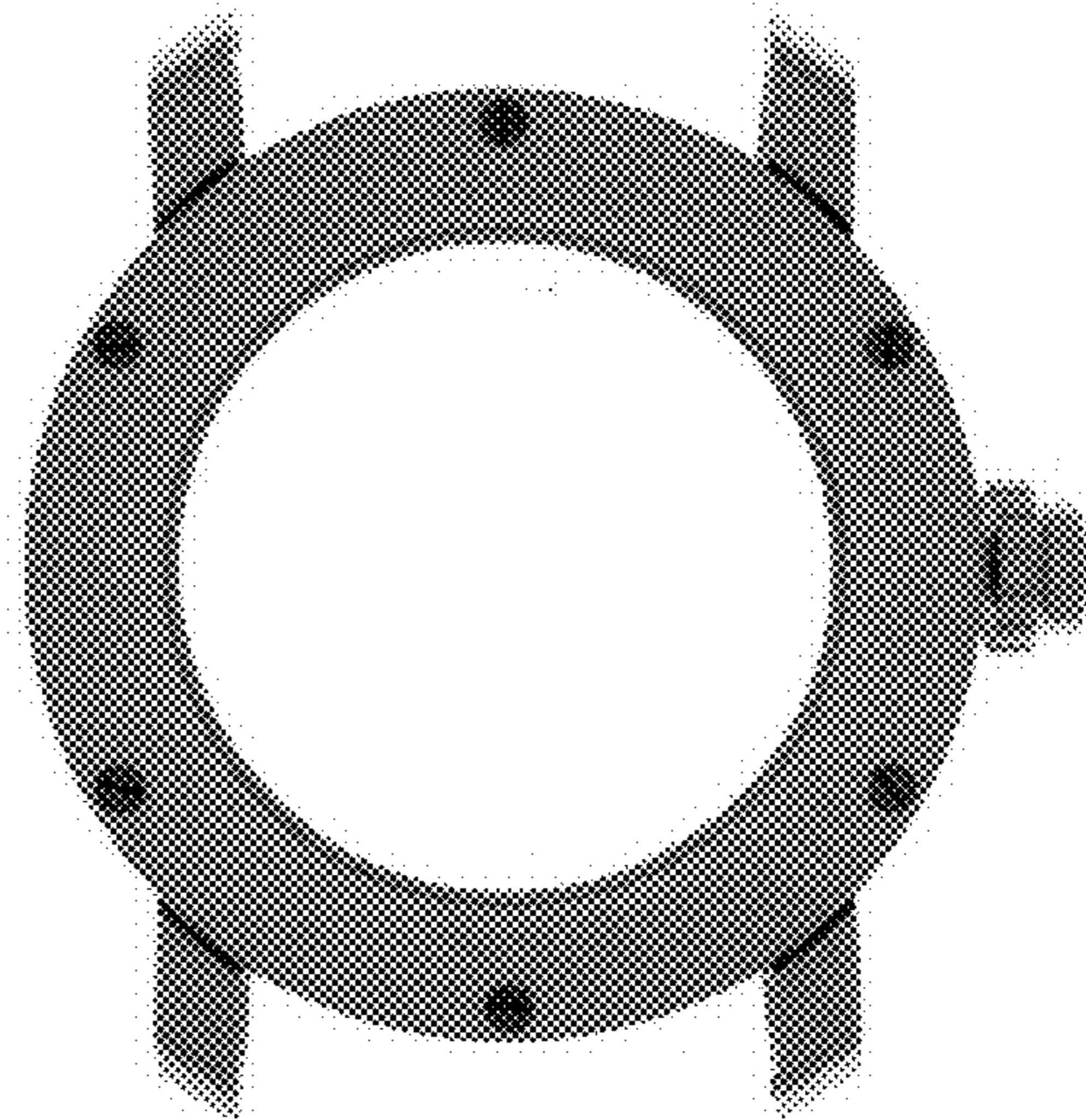


FIG. 4

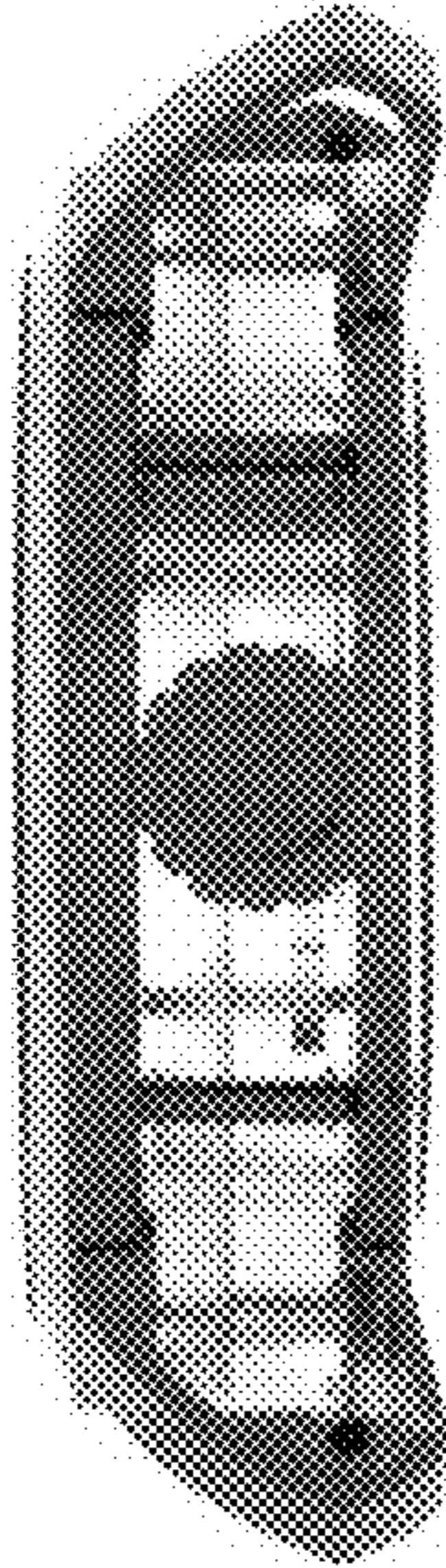


FIG. 6

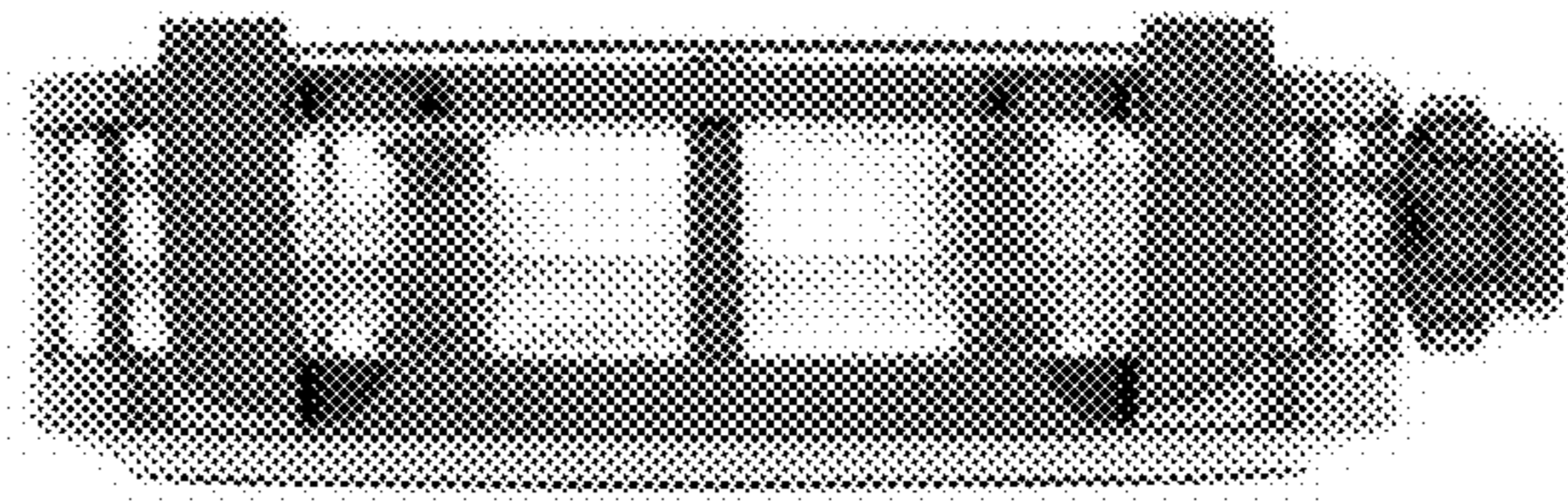


FIG. 5

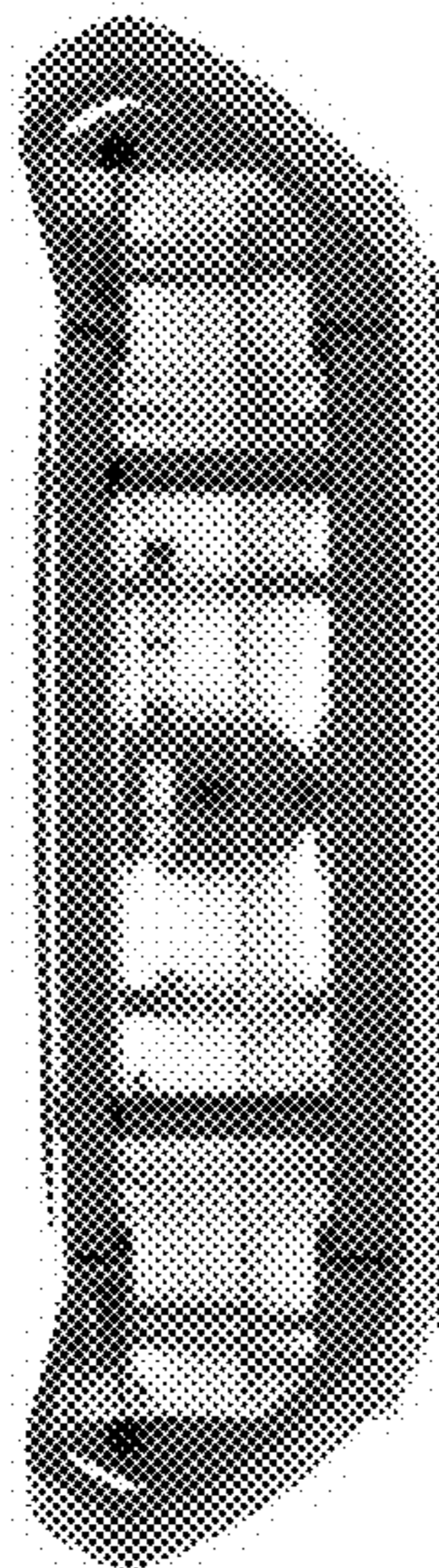


FIG. 7

