



US00D591174S

(12) **United States Design Patent**
Larson

(10) **Patent No.:** **US D591,174 S**
(45) **Date of Patent:** **** Apr. 28, 2009**

(54) **FOOD TRAY**

(76) Inventor: **Kevin E. Larson**, 1901 S. Calhoun Rd.,
New Berlin, WI (US) 53151

(**) Term: **14 Years**

(21) Appl. No.: **29/324,332**

(22) Filed: **Sep. 10, 2008**

Related U.S. Application Data

(62) Division of application No. 29/296,672, filed on Oct.
25, 2007, now Pat. No. Des. 580,789.

(51) **LOC (9) Cl.** **09-03**

(52) **U.S. Cl.** **D9/761; D9/737; D9/425**

(58) **Field of Classification Search** D9/737,
D9/761, 756, 759, 760, 424, 425, 429, 432;
D7/549, 584, 553.3, 357; D3/313; 229/407,
229/406; 220/675, 23.83, 555; 206/527,
206/551, 557, 562, 563, 564
See application file for complete search history.

(56) **References Cited**

U.S. PATENT DOCUMENTS

D195,602 S	7/1963	Bostrom	
D198,545 S *	6/1964	Bostrom D9/760
3,401,863 A *	9/1968	Earl 229/406
D218,514 S	8/1970	Fossella et al.	
D222,668 S	11/1971	Gregor	
D224,288 S	7/1972	Bloch	
D224,587 S	8/1972	Jewell	
D227,860 S	7/1973	Schuman	
D241,622 S *	9/1976	Smith D9/760
D280,060 S	8/1985	Holzkopf	
D293,767 S	1/1988	Powers	
D301,192 S	5/1989	DeCoster	
D305,409 S	1/1990	Michaud et al.	
D318,207 S	7/1991	Anderson	
D339,743 S	9/1993	Zellner et al.	
D361,508 S	8/1995	Schnack	

D374,819 S	10/1996	Wells	
D383,943 S	9/1997	Boley	
D386,075 S	11/1997	Hayes et al.	
D387,272 S	12/1997	Lippincott	
5,695,798 A *	12/1997	Rozzano 426/115
D388,699 S	1/1998	Hayes et al.	
D392,881 S	3/1998	Bulcher et al.	
D414,409 S	9/1999	Sanfilippo et al.	
D417,785 S *	12/1999	Daniels D3/313
D420,855 S	2/2000	Hurley	
D466,758 S *	12/2002	Bradley D7/357
D474,687 S	5/2003	Jones et al.	
D484,364 S	12/2003	Bailey et al.	
D485,755 S	1/2004	Isler et al.	
D492,195 S	6/2004	Shabaz	
D504,325 S	4/2005	Vovan	
D510,804 S	10/2005	Horman	
D515,880 S	2/2006	Lerner	
D535,195 S	1/2007	Schwab	
D553,490 S	10/2007	Yang	
D554,988 S	11/2007	Sim	

* cited by examiner

Primary Examiner—Stella M Reid

Assistant Examiner—Mark A Goodwin

(74) *Attorney, Agent, or Firm*—Boyle Fredrickson, S.C.

(57) **CLAIM**

The ornamental design of a food tray, as shown and described.

DESCRIPTION

FIG. 1 is an isometric view illustrating a food tray incorporating my new design;

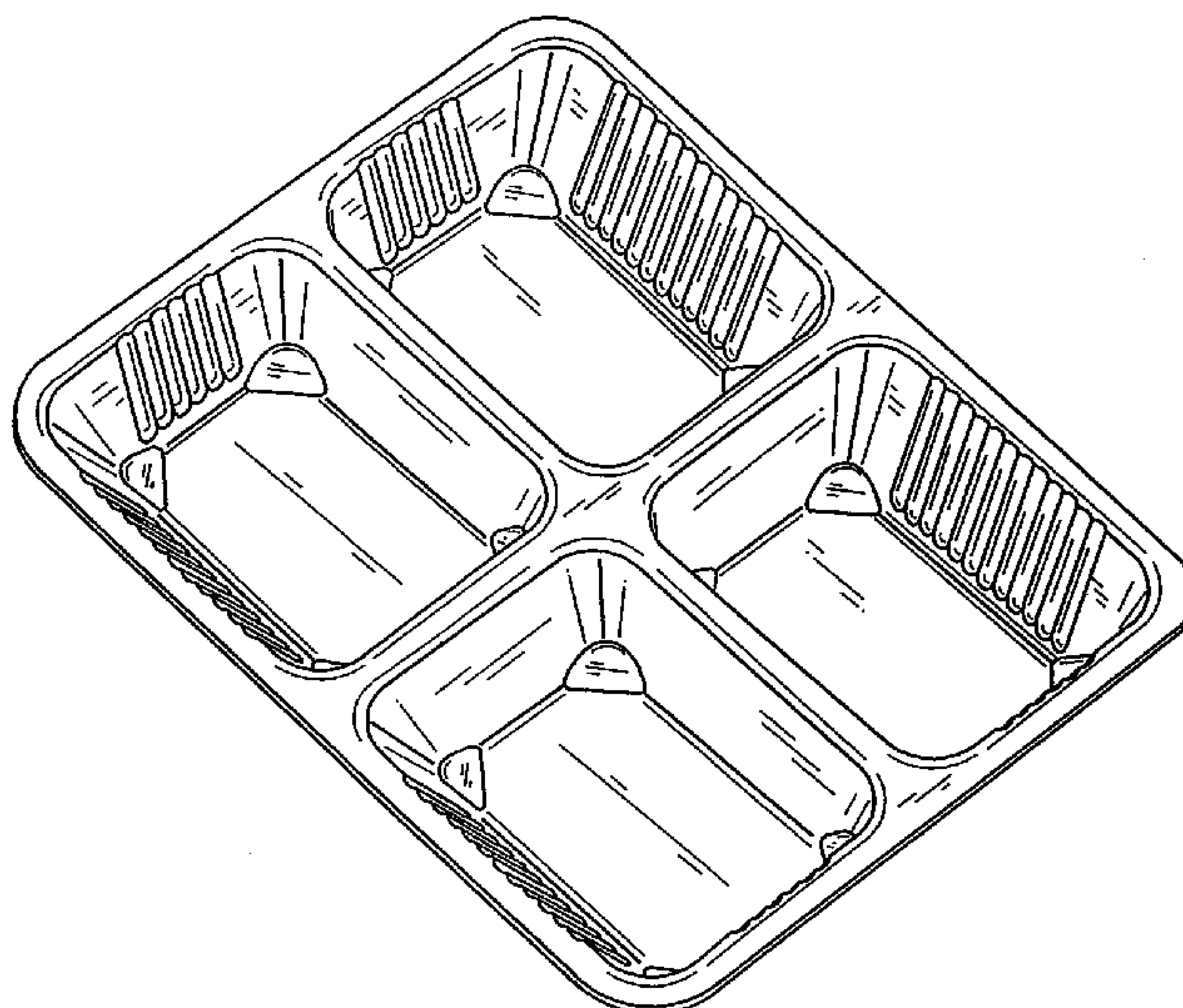
FIG. 2 is a top plan view thereof;

FIG. 3 is a first side elevation view thereof, the opposite side elevation view being a mirror image;

FIG. 4 is a first end elevation view thereof, the opposite end elevation view being a mirror image; and,

FIG. 5 is a bottom plan view thereof.

1 Claim, 2 Drawing Sheets



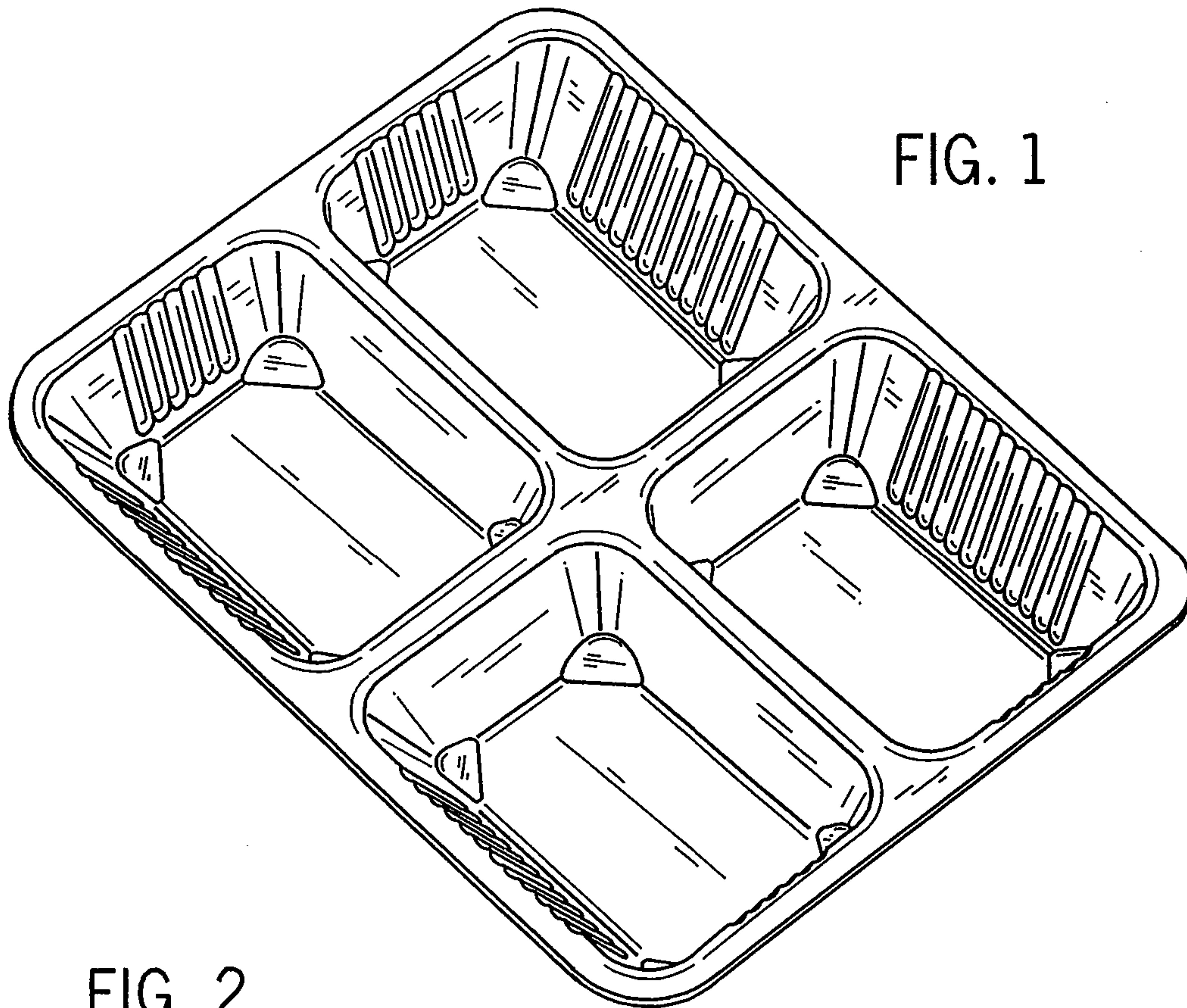
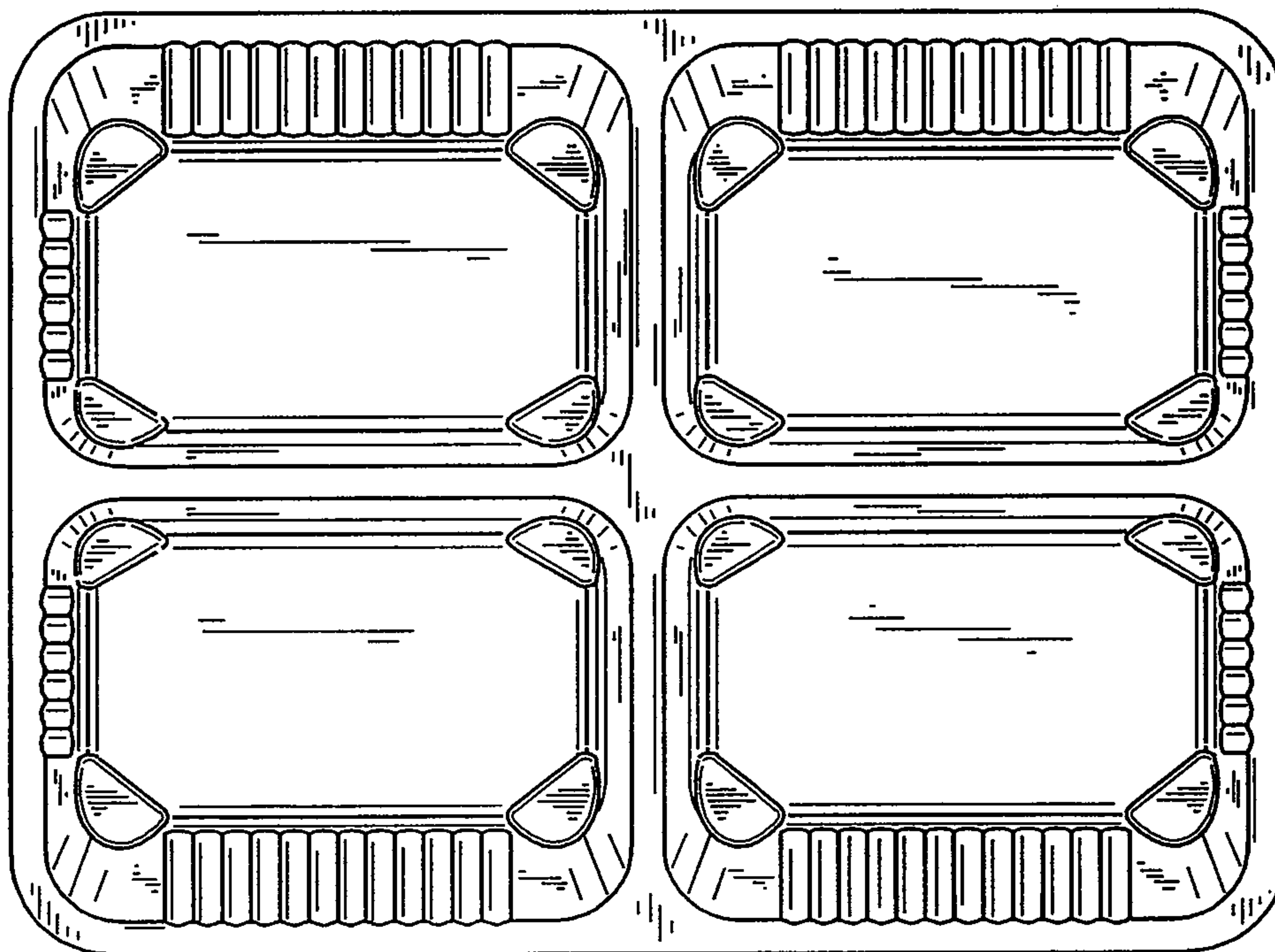


FIG. 2



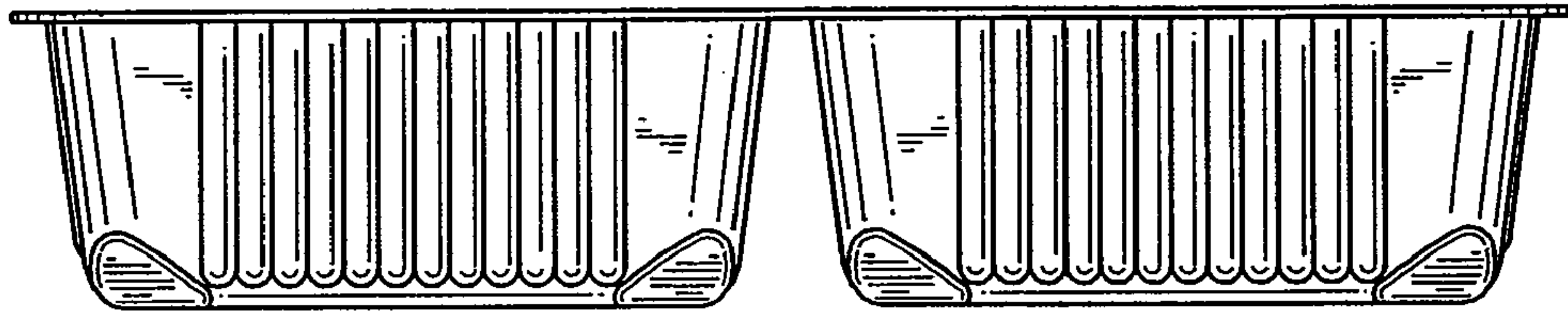


FIG. 3

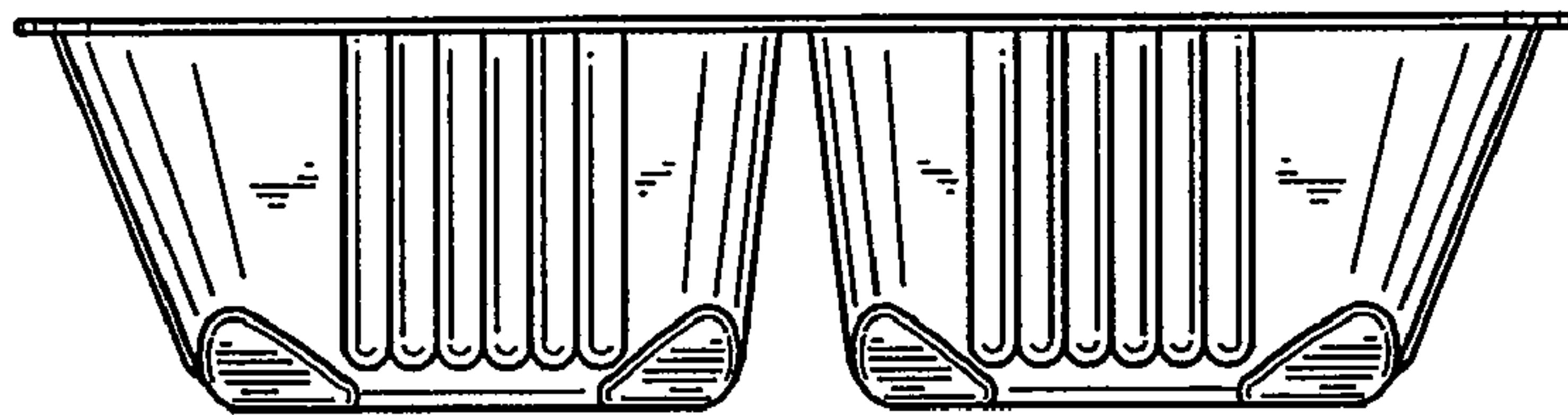


FIG. 4

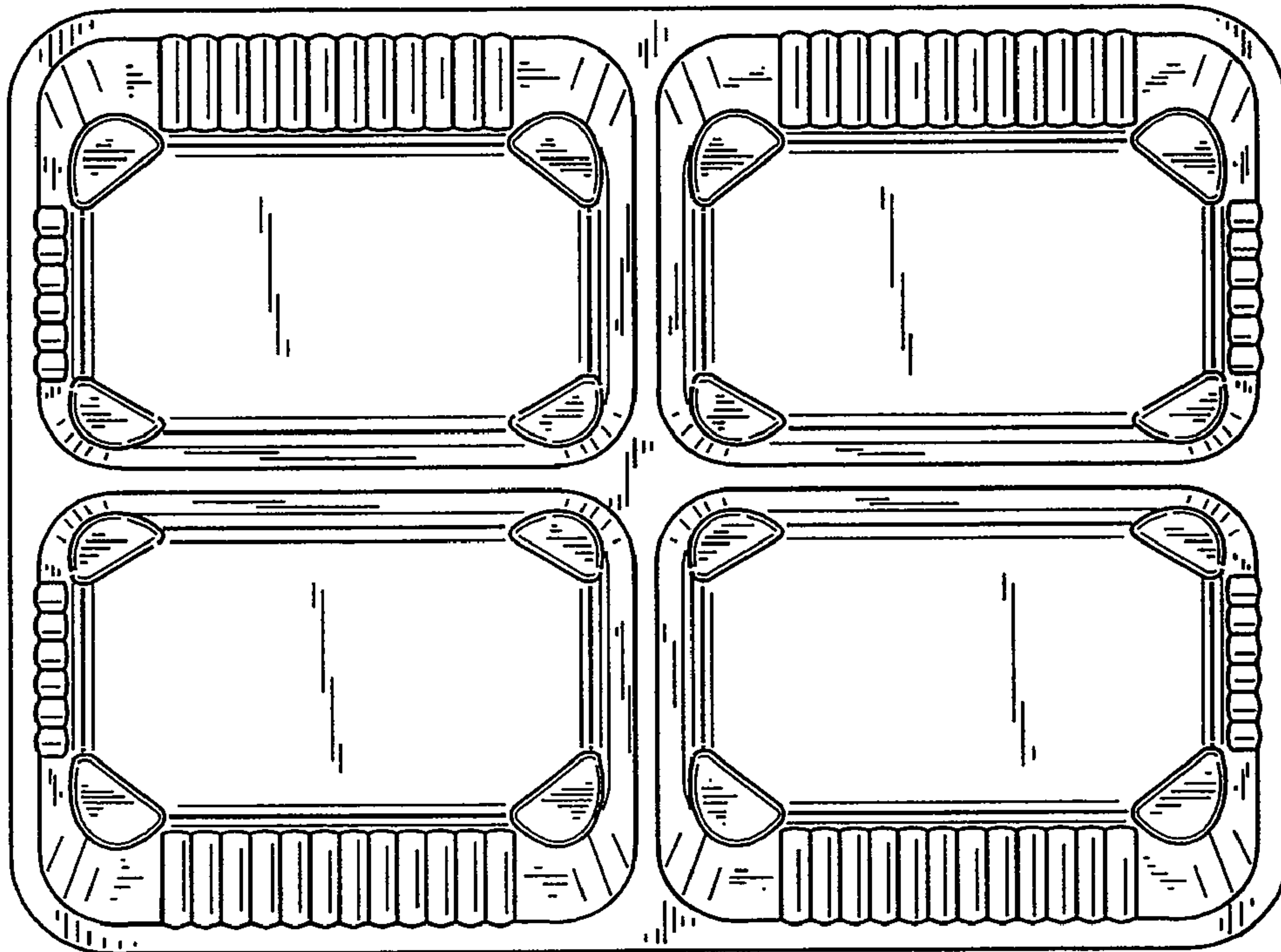


FIG. 5