

US00D591171S

(12) **United States Design Patent**
Kanbar

(10) **Patent No.:** **US D591,171 S**

(45) **Date of Patent:** **** Apr. 28, 2009**

(54) **NOTE DISPENSER**

(76) **Inventor:** **Maurice S. Kanbar**, 2100 Jackson St.,
San Francisco, CA (US) 94115

(**) **Term:** **14 Years**

(21) **Appl. No.:** **29/310,885**

(22) **Filed:** **Sep. 16, 2008**

(51) **LOC (9) Cl.** **06-08**

(52) **U.S. Cl.** **D9/730**

(58) **Field of Classification Search** D6/512,
D6/515, 518, 522, 523; D9/420, 422, 529,
D9/730, 731, 733, 734; D19/65, 67, 79,
D19/86, 89; D28/73; D3/302; 40/372; 221/13,
221/30, 33, 34, 45, 46, 67; 242/160, 564;
340/562; 206/425

See application file for complete search history.

(56) **References Cited**

U.S. PATENT DOCUMENTS

D289,262	S	*	4/1987	Goetz et al.	D9/420
D331,075	S	*	11/1992	Dotterman et al.	D19/86
D395,547	S	*	6/1998	Sussman	D3/302
D414,208	S	*	9/1999	Eddy et al.	D19/76
D443,508	S	*	6/2001	Braaten et al.	D9/734
D454,015	S	*	3/2002	Okin et al.	D9/734
D459,124	S	*	6/2002	Le et al.	D9/734
6,412,655	B1	*	7/2002	Stuetzel et al.	221/13

D467,454	S	*	12/2002	Le et al.	D9/734
D479,419	S	*	9/2003	White et al.	D9/734
6,903,654	B2	*	6/2005	Hansen et al.	340/562
D580,786	S	*	11/2008	McElaney et al.	D9/734

* cited by examiner

Primary Examiner—Stella M Reid

Assistant Examiner—Shanda C Hill

(74) *Attorney, Agent, or Firm*—Drinker Biddle & Reath LLP

(57) **CLAIM**

The ornamental design for a note dispenser, as shown and described.

DESCRIPTION

FIG. 1 is an isometric view of a note dispenser according to my new design.

FIG. 2 is a front view of the note dispenser of FIG. 1.

FIG. 3 is a rear view of the note dispenser of FIG. 1.

FIG. 4 is a top view of the note dispenser of FIG. 1.

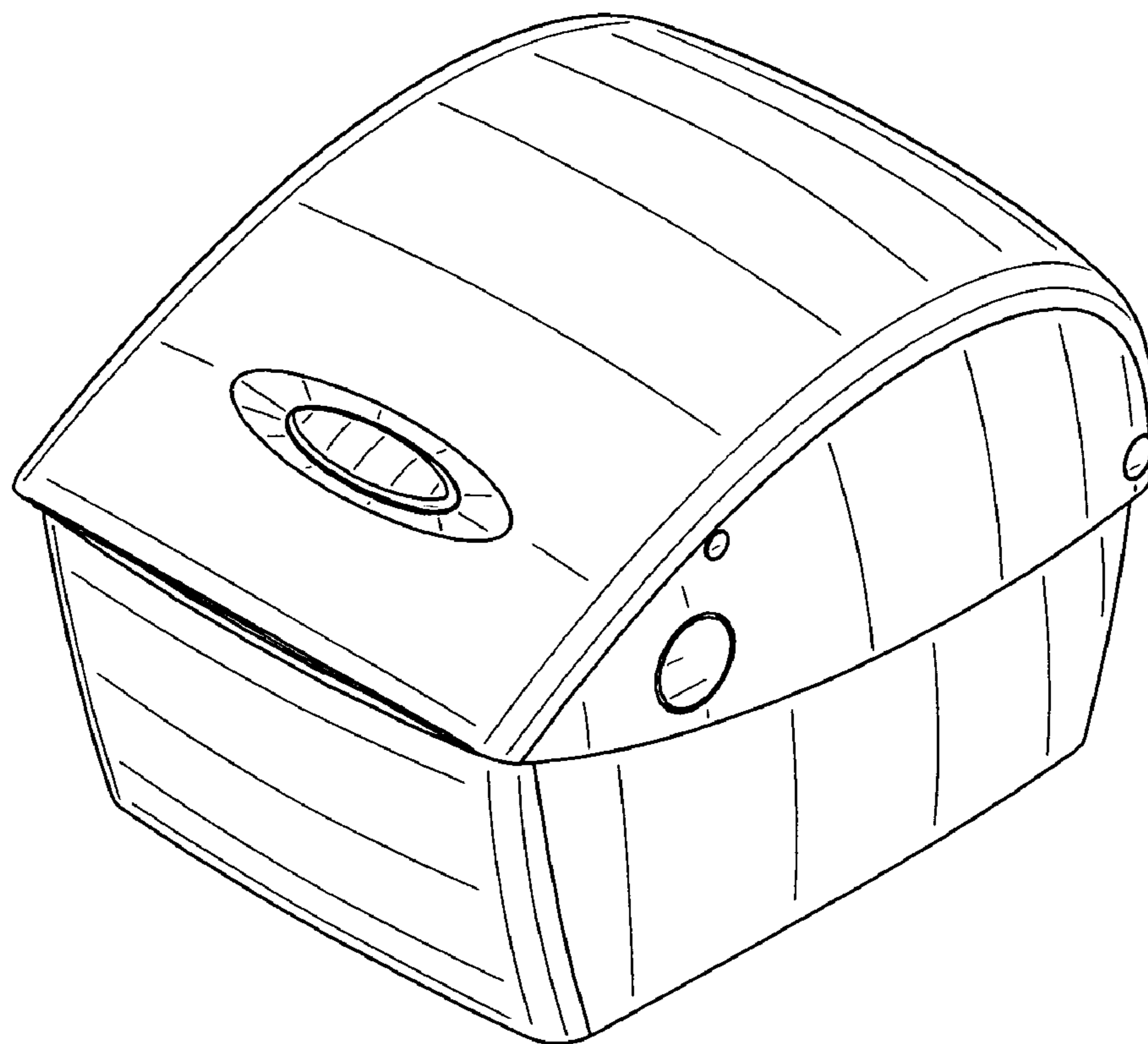
FIG. 5 is a bottom view of the note dispenser of FIG. 1.

FIG. 6 is a left side view of the note dispenser of FIG. 1; and,

FIG. 7 is a right side view of the note dispenser of FIG. 1.

The portions of the drawings appearing in broken lines are for environment only and do not form a part of the claimed design.

1 Claim, 4 Drawing Sheets



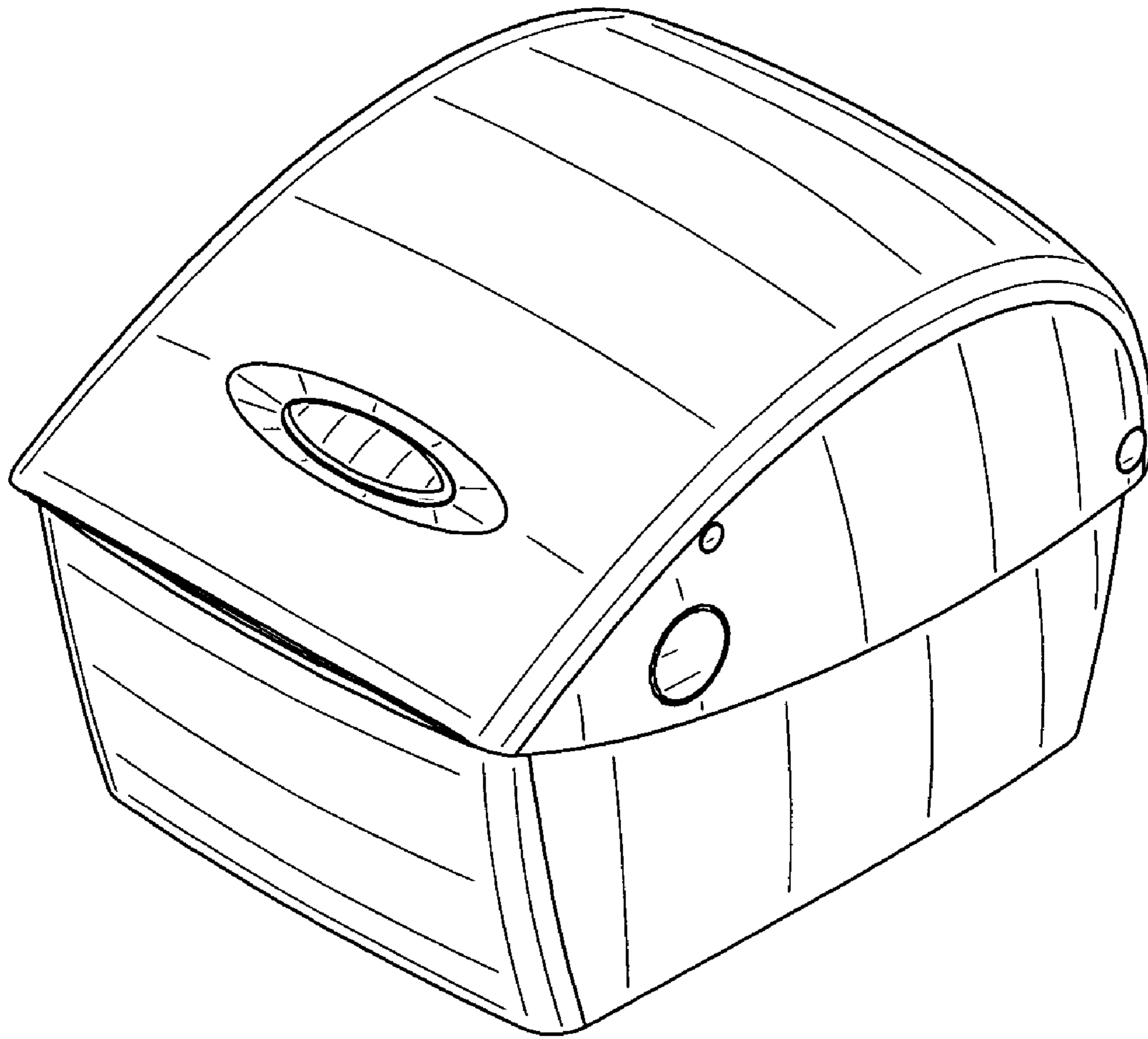


FIG. 1

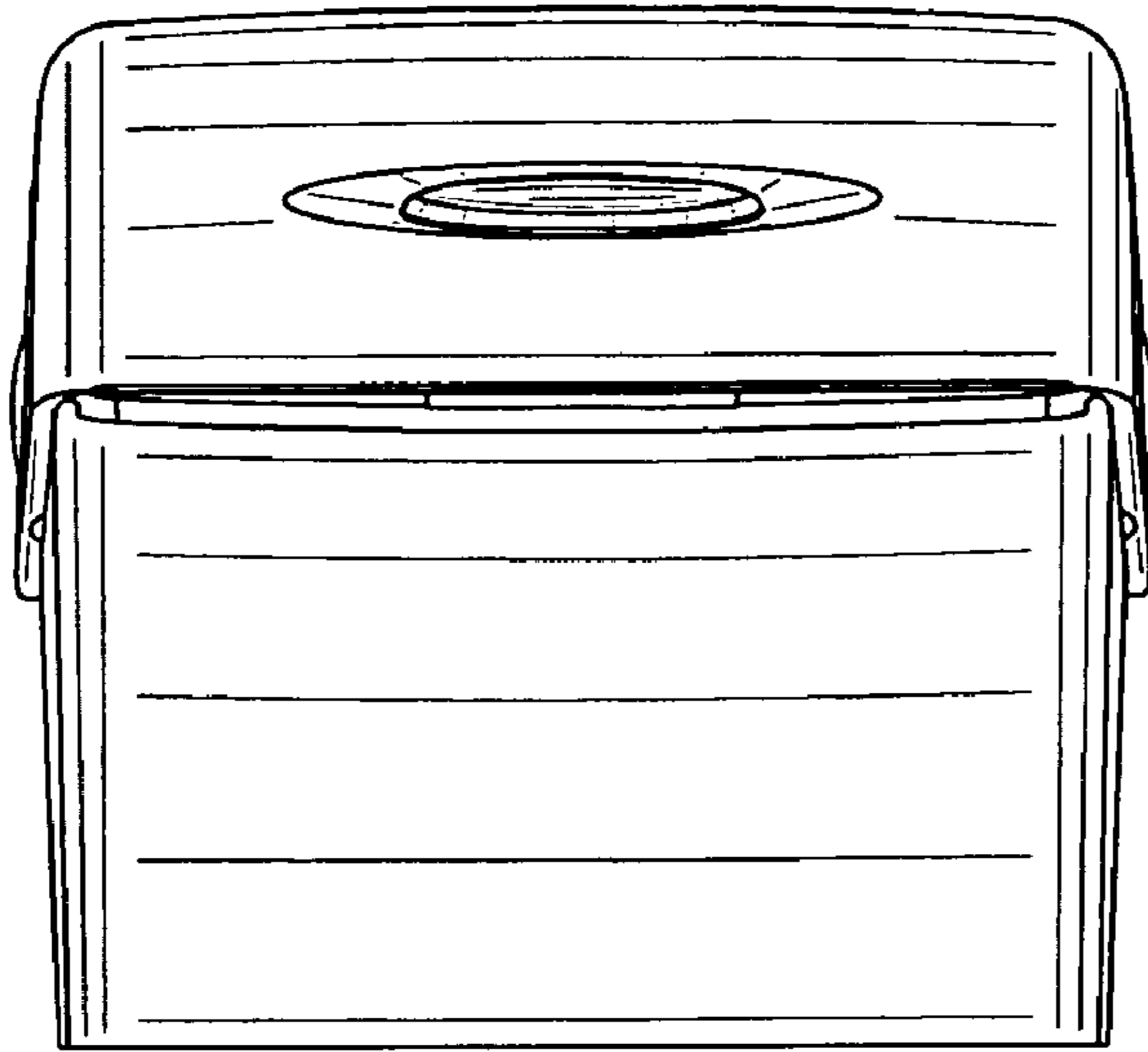


FIG. 2

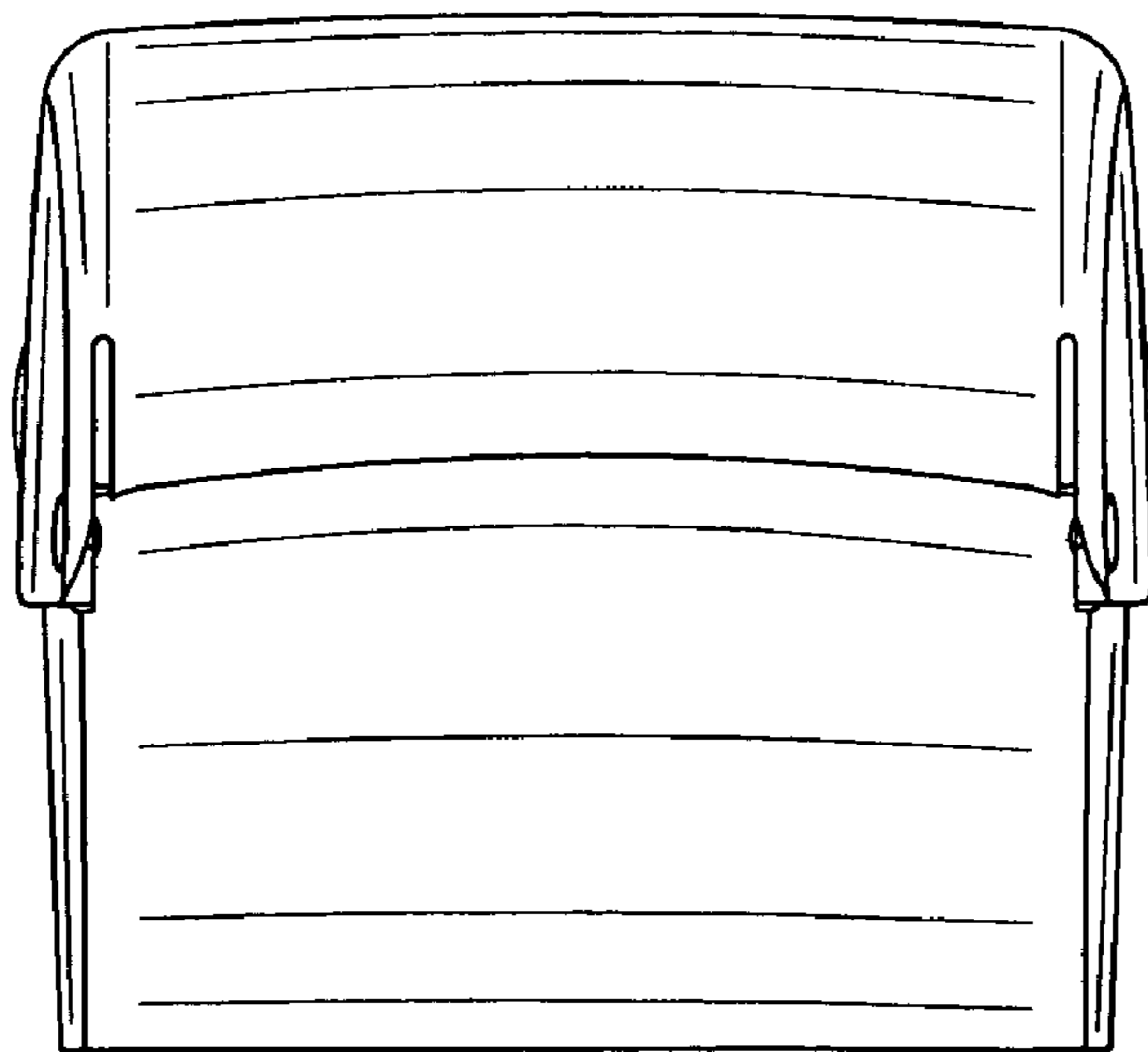


FIG. 3

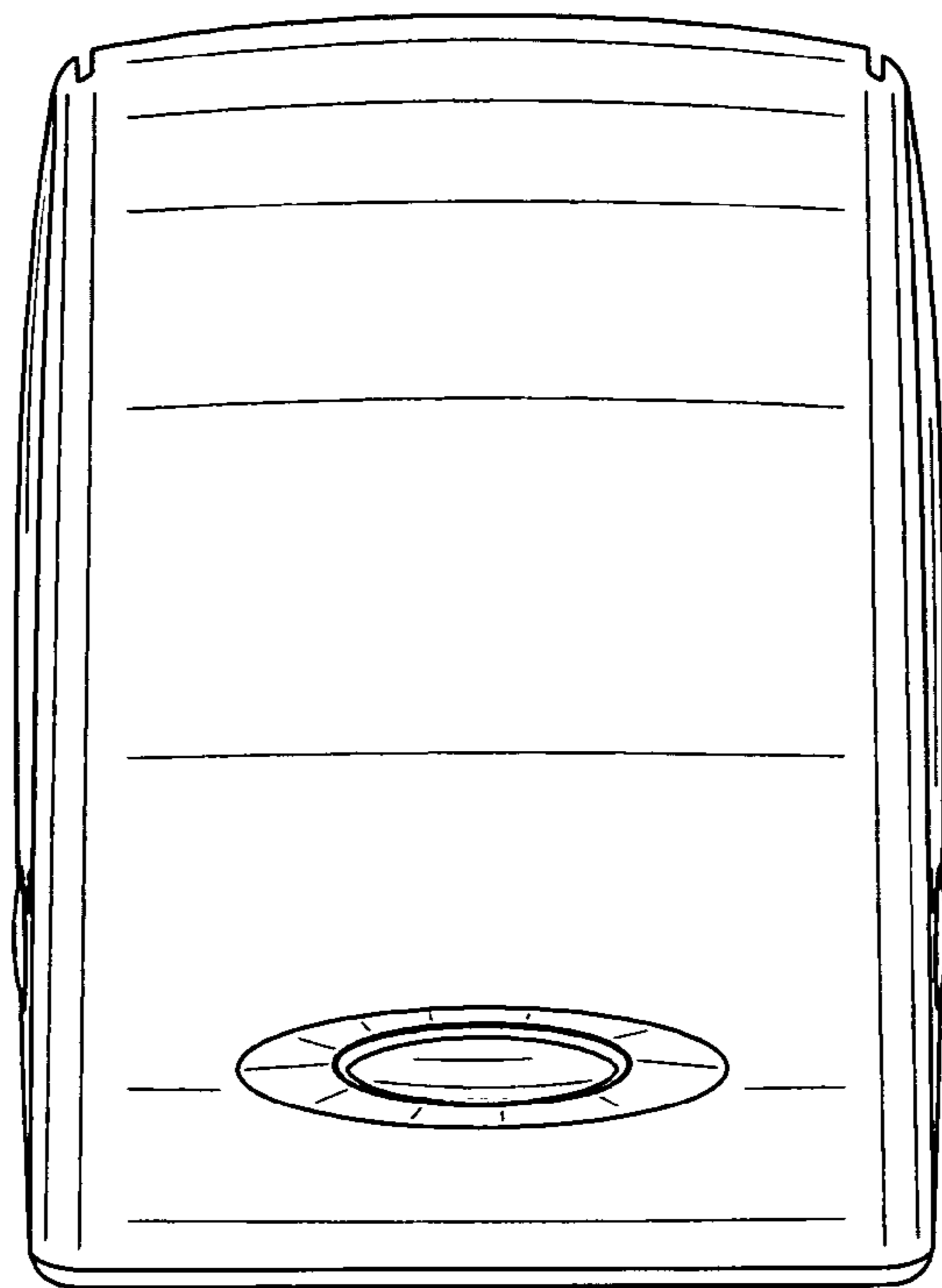


FIG. 4

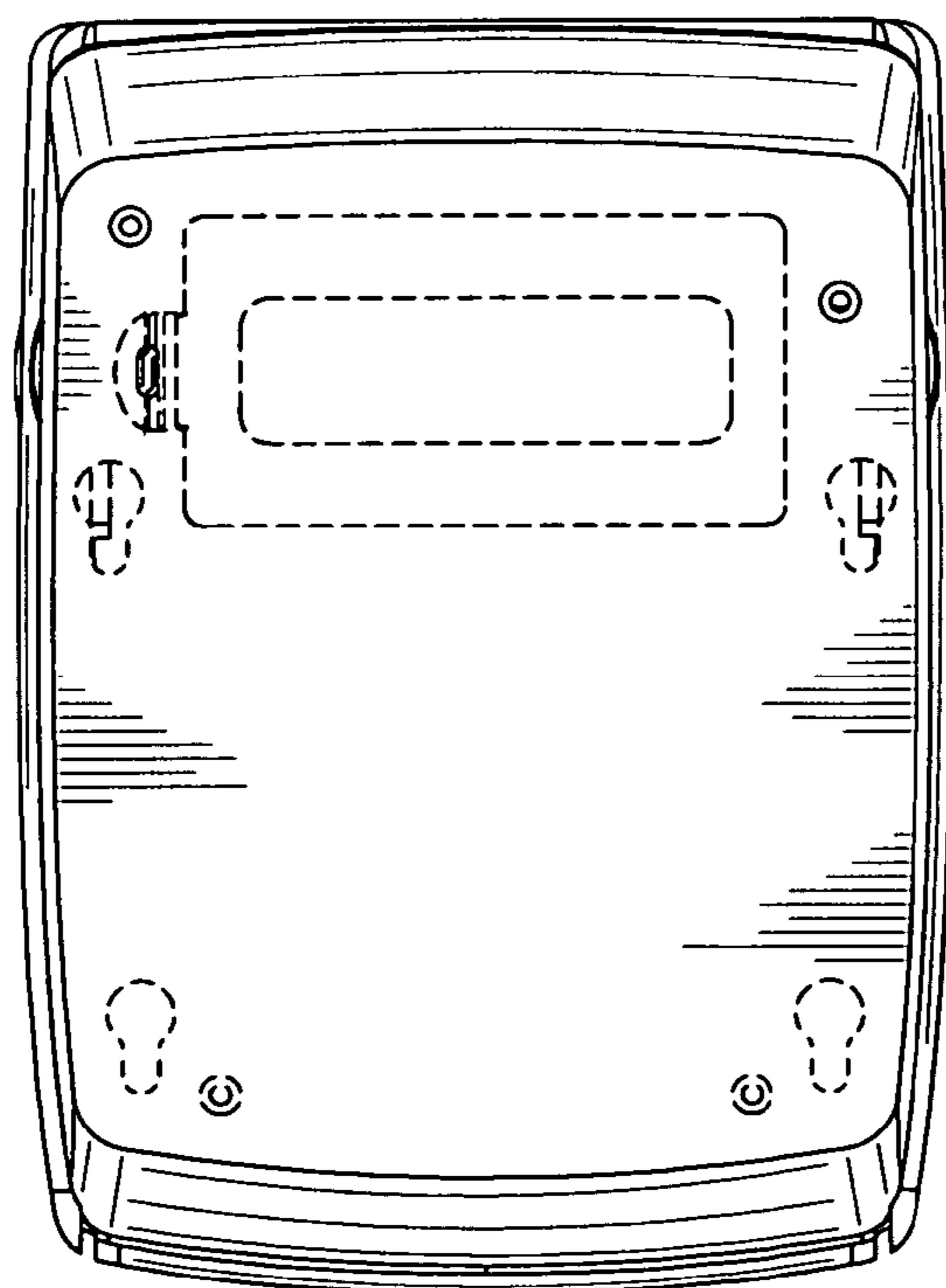


FIG. 5

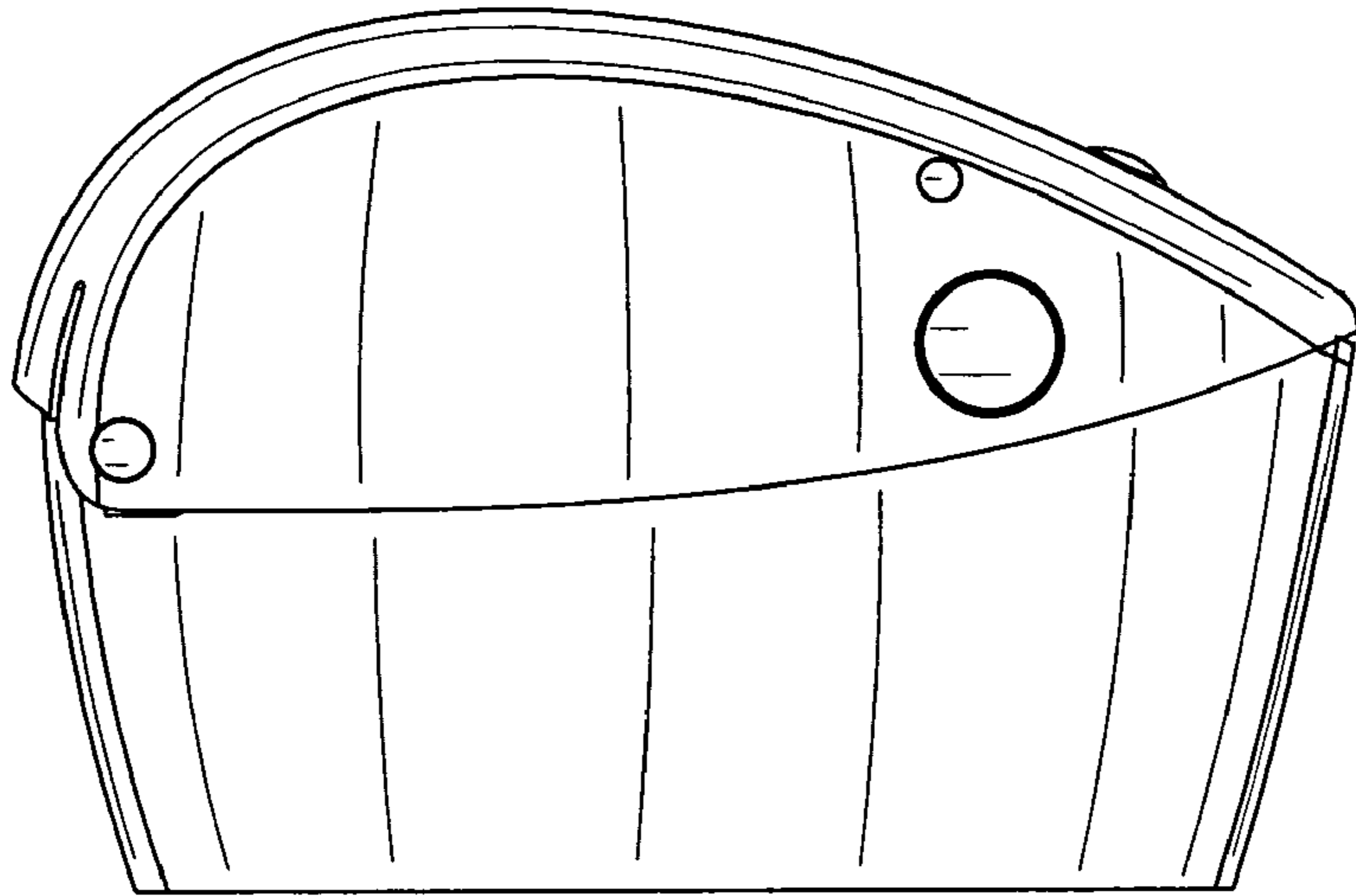


FIG. 6

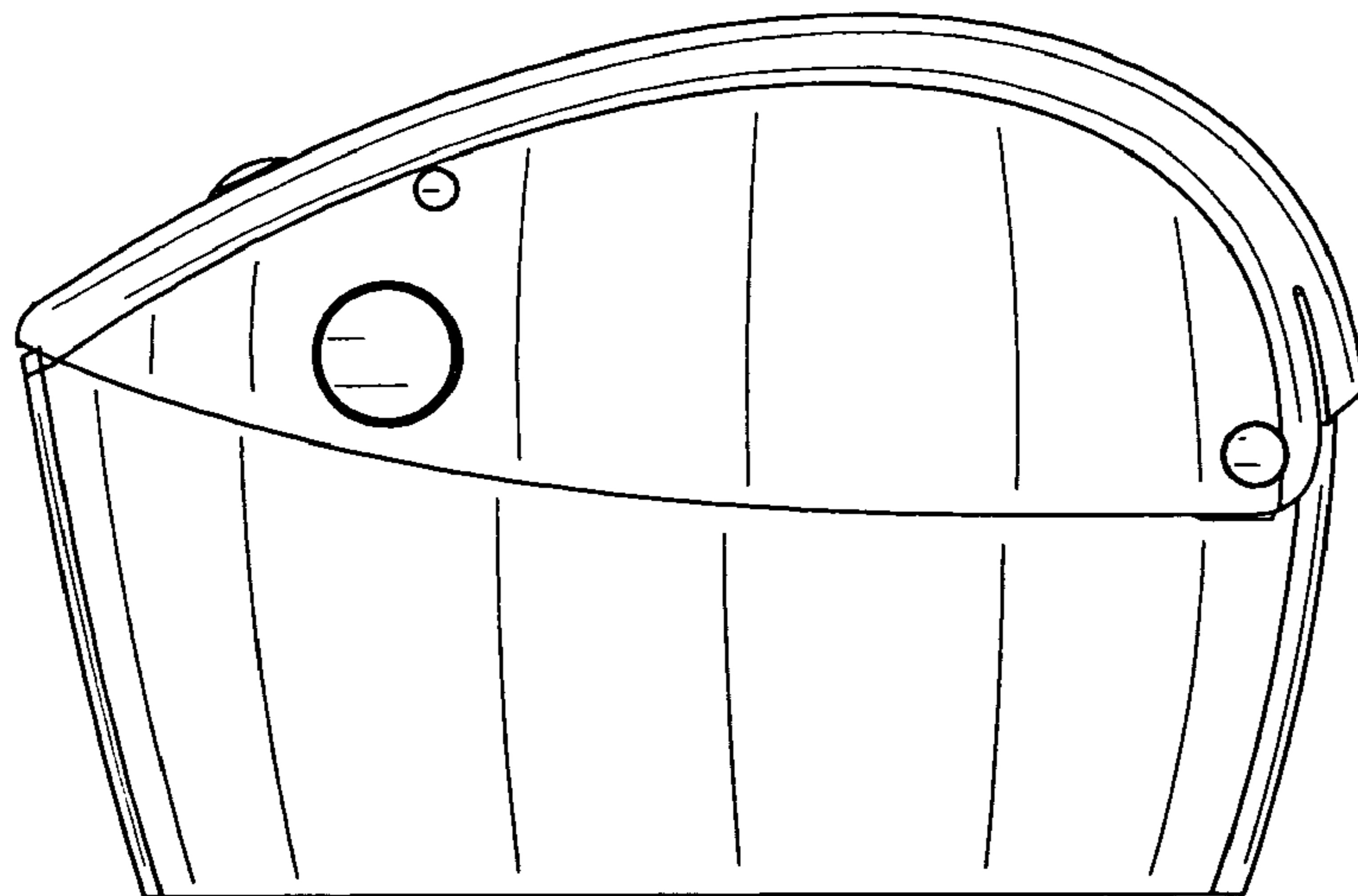


FIG. 7