

US00D591156S

(12) **United States Design Patent**
George et al.

(10) **Patent No.:** **US D591,156 S**
(45) **Date of Patent:** **** Apr. 28, 2009**

- (54) **BOTTLE**
- (75) Inventors: **Patrick T. George**, Plano, TX (US);
Nicholas J. Caporin, Little Elm, TX (US);
Christopher Thompson Caldwell, Monroe, MI (US)
- (73) Assignee: **Snapple Beverage Corporation**, Plano, TX (US)
- (**) Term: **14 Years**
- (21) Appl. No.: **29/317,517**
- (22) Filed: **Apr. 30, 2008**
- (51) **LOC (9) Cl.** **09-01**
- (52) **U.S. Cl.** **D9/516; D9/552; D9/565**
- (58) **Field of Classification Search** D9/516,
D9/522, 529, 530, 537, 539, 540, 549, 551,
D9/552, 554, 555, 556, 557, 558, 564, 565,
D9/567, 569, 570, 574, 575; 215/381-385
See application file for complete search history.

- 5,988,416 A 11/1999 Cheng et al.
- D420,594 S * 2/2000 Weinstein et al. D9/520
- D423,939 S 5/2000 Ogg
- D424,948 S * 5/2000 Ullmo D9/540
- D427,071 S 6/2000 Williams et al.
- D427,518 S 7/2000 Steward
- D429,166 S 8/2000 Ogg
- D430,036 S 8/2000 Steward et al.
- D431,780 S 10/2000 DeSwarte et al.
- D432,018 S 10/2000 Steward
- D432,020 S 10/2000 Steward et al.
- D432,430 S 10/2000 Steward et al.
- D447,061 S 8/2001 Peek
- D453,686 S 2/2002 Petursdottir
- D455,964 S 4/2002 Patterson
- D466,023 S 11/2002 Eickmeier

(Continued)

Primary Examiner—Stella M Reid
Assistant Examiner—Elizabeth J Oswecki
(74) *Attorney, Agent, or Firm*—Cox Smith Matthews Incorporated

(56) **References Cited**
U.S. PATENT DOCUMENTS

- 5,064,080 A 11/1991 Young et al.
- D358,547 S 5/1995 Darr
- 5,507,402 A 4/1996 Clark
- 5,549,210 A 8/1996 Cheng
- D379,154 S 5/1997 Cox
- D381,272 S 7/1997 Coons
- D383,677 S 9/1997 Darr
- D385,796 S 11/1997 Richardson
- 5,732,838 A 3/1998 Young
- D395,604 S 6/1998 Lecoule
- 5,772,056 A 6/1998 Slat
- D395,828 S 7/1998 Lecoule
- D398,855 S 9/1998 Ito
- 5,803,290 A 9/1998 Bongiorno
- D401,860 S 12/1998 Mentasti Granelli
- D409,904 S 5/1999 Clements et al.
- 5,906,285 A 5/1999 Slat
- D411,457 S 6/1999 Ruda et al.
- D414,112 S 9/1999 Waggaman et al.

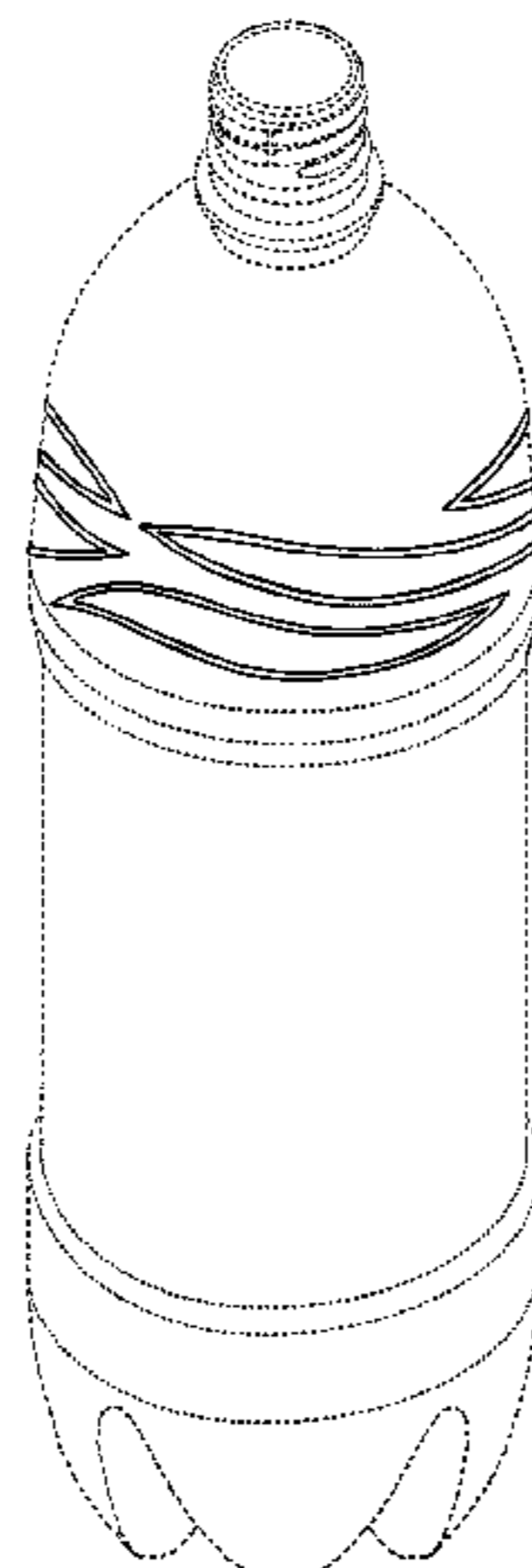
(57) **CLAIM**

The ornamental design for a bottle, as shown and described.

DESCRIPTION

FIG. 1 is a perspective view showing our new design;
FIG. 2 is a front elevational view thereof;
FIG. 3 is a right elevational view thereof;
FIG. 4 is a rear elevational view thereof;
FIG. 5 is a left elevational view thereof;
FIG. 6 is a top plan view thereof; and,
FIG. 7 is a bottom plan view thereof.
The broken lines showing environment are for illustrative purposes only and form no part of the claimed design.

1 Claim, 4 Drawing Sheets



US D591,156 S

Page 2

U.S. PATENT DOCUMENTS

D466,415 S	12/2002	Reis	D519,384 S	4/2006	Voss et al.	
6,666,001 B2	12/2003	Mero	D548,599 S *	8/2007	Blasko	D9/516
D491,071 S	6/2004	Degeyter et al.	D549,104 S	8/2007	Dimmel et al.	
D496,280 S	9/2004	Mero et al.	D556,044 S	11/2007	Hirata	
D497,312 S	10/2004	Anderson et al.	D556,592 S	12/2007	Gage et al.	
D500,672 S	1/2005	Fleck	D558,582 S	1/2008	Venkataraman et al.	
6,857,531 B2	2/2005	Slat et al.	D559,699 S	1/2008	Dellevigne	
D503,341 S *	3/2005	Delmotte	D560,500 S	1/2008	Venkataraman et al.	
D503,625 S	4/2005	Nelson et al.	D561,598 S	2/2008	Dellevigne	
D509,436 S	9/2005	Mero et al.	D564,359 S	3/2008	Trollope et al.	
D509,740 S	9/2005	Collins et al.	D564,896 S	3/2008	Trollope et al.	
D509,741 S	9/2005	Collins et al.	D564,897 S	3/2008	Trollope et al.	
D509,746 S	9/2005	Mero et al.	D565,961 S	4/2008	Dellevigne	
D510,025 S	9/2005	Venkataraman et al.	D568,159 S *	5/2008	Dellevigne	D9/516
D510,026 S	9/2005	Nelson et al.	D570,219 S *	6/2008	Blasko	D9/516
D512,322 S	12/2005	Collins et al.	D570,693 S *	6/2008	Venkataraman et al.	D9/516
D512,323 S	12/2005	Collins et al.	D571,667 S *	6/2008	Bourne	D9/539
D515,933 S	2/2006	Mero et al.	D576,042 S *	9/2008	Dellevigne	D9/516
			2007/0257003 A1	11/2007	Colloud	

* cited by examiner

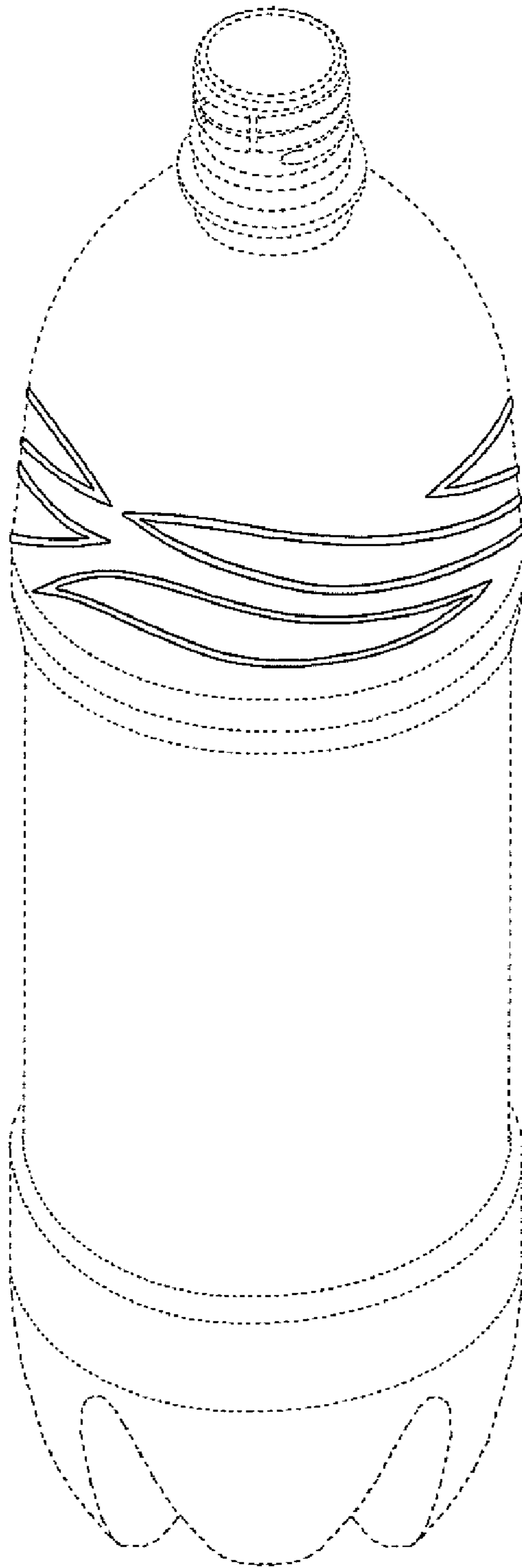


Fig. 1

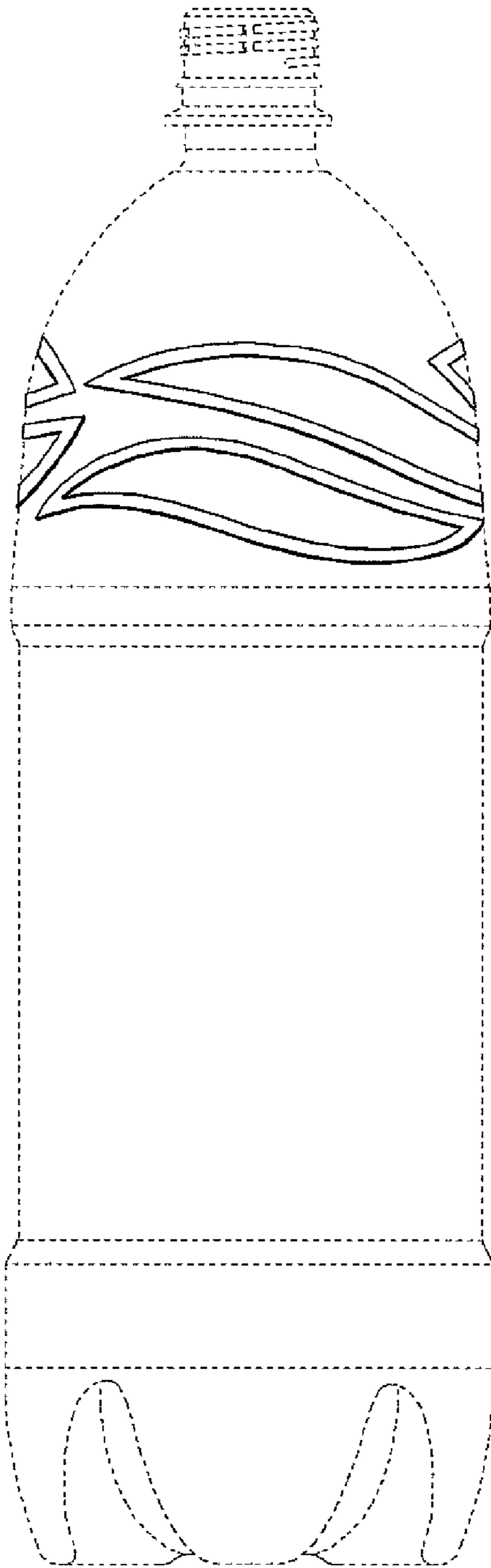


Fig. 2

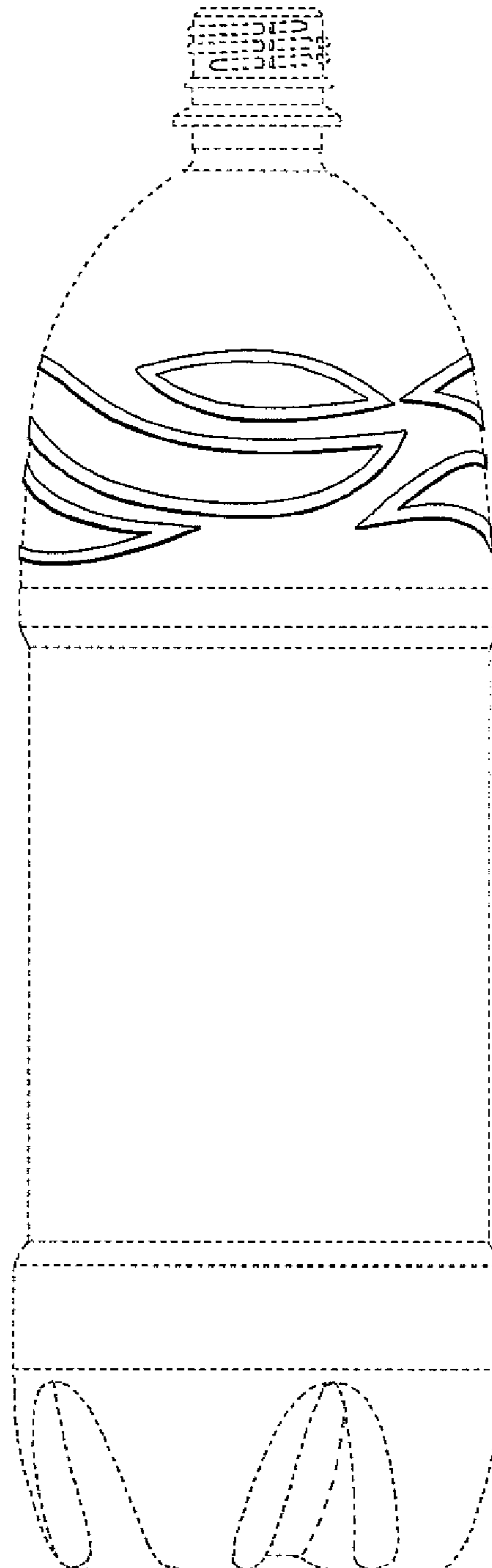


Fig. 3

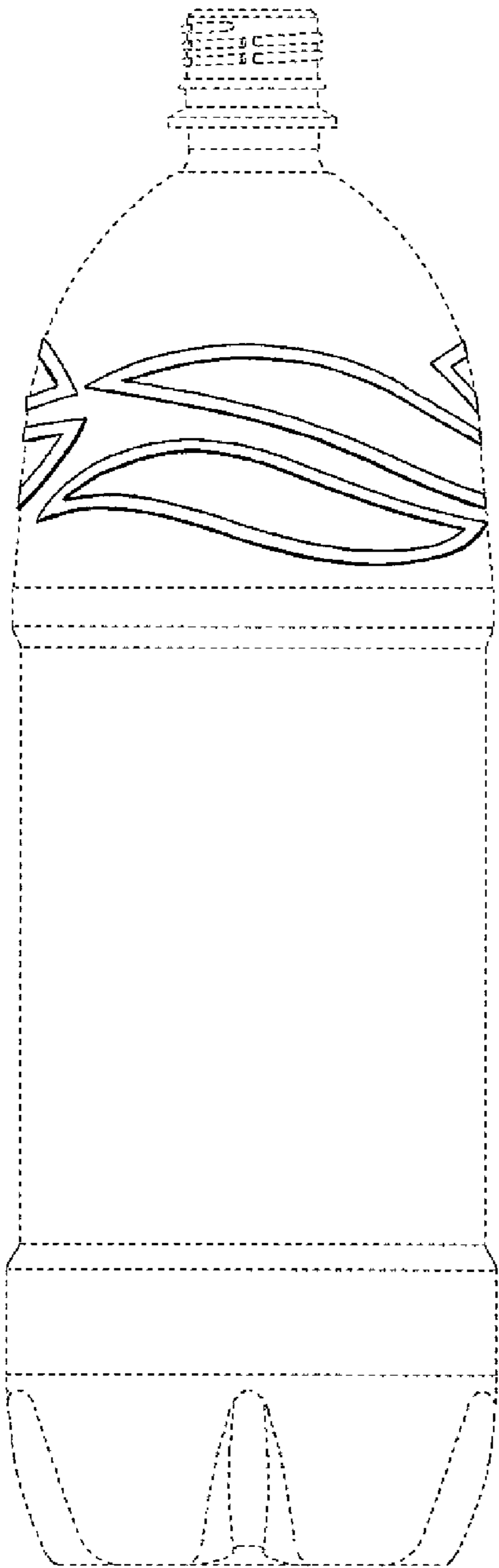


Fig. 4

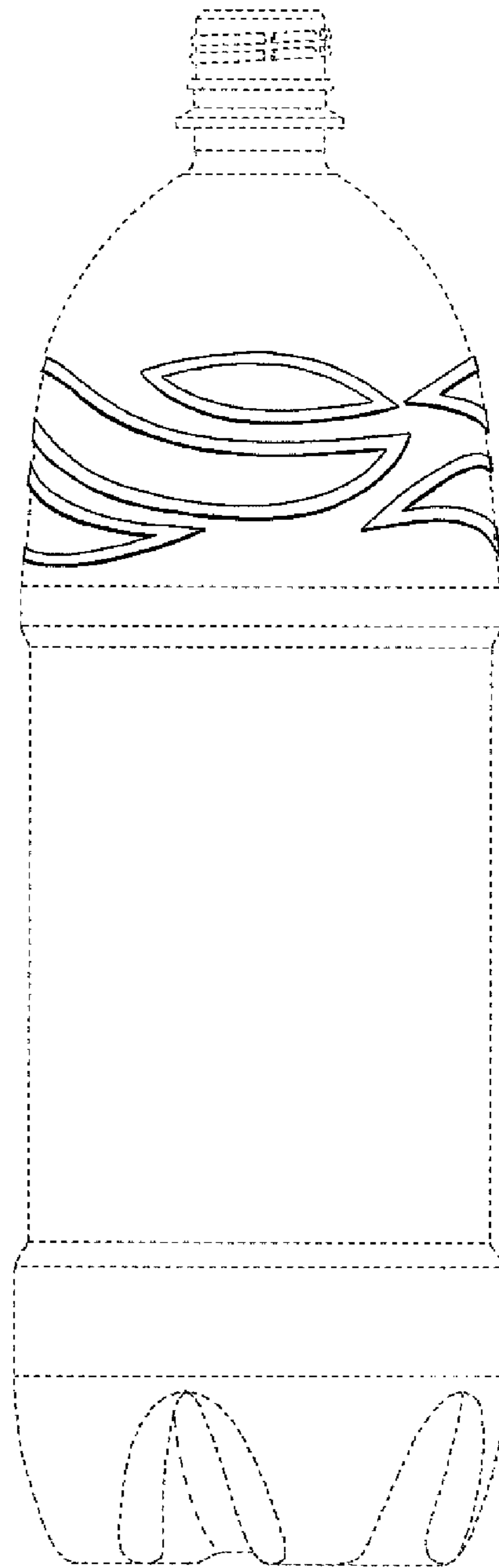


Fig. 5

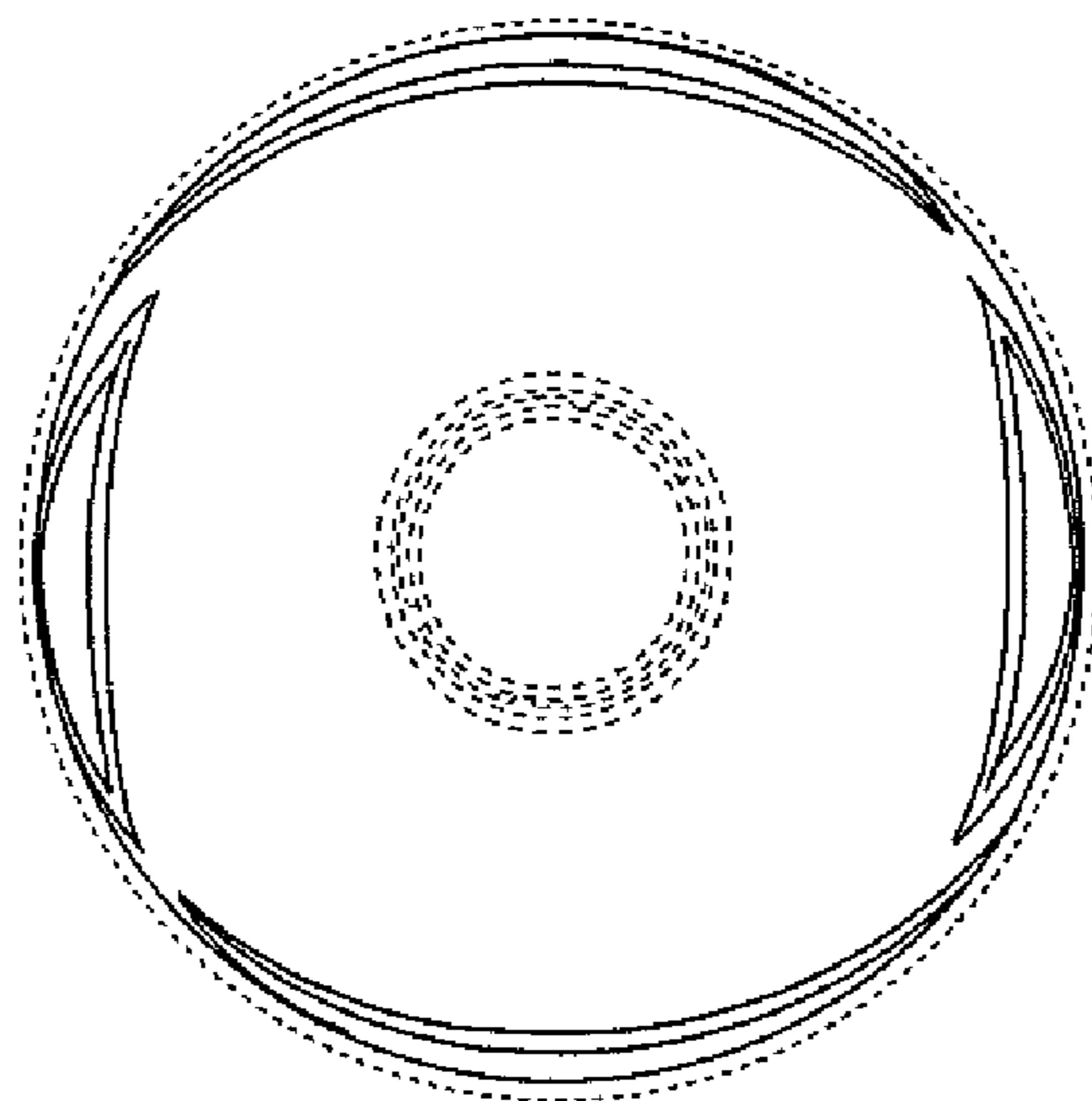


Fig. 6

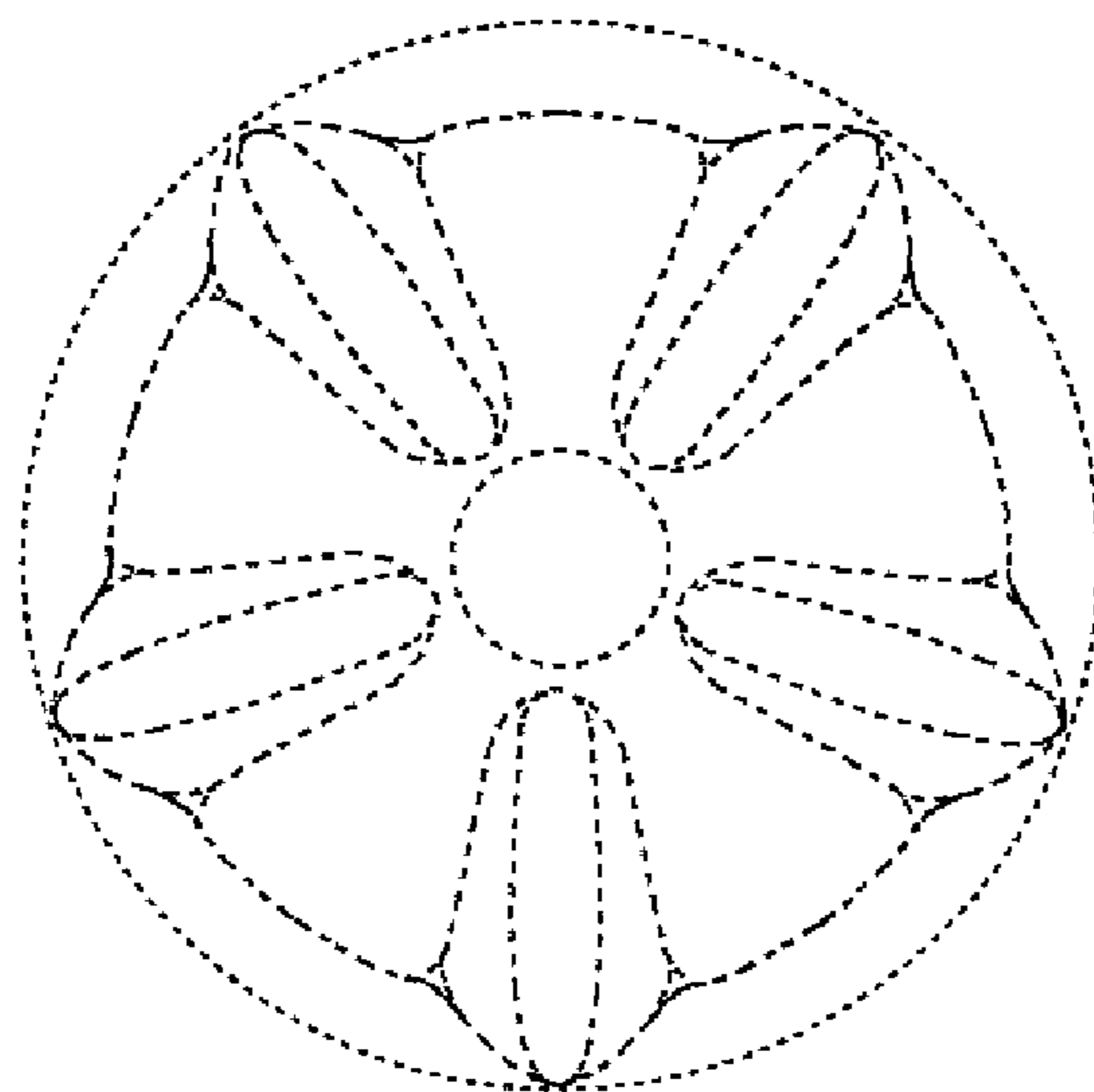


Fig. 7