



US00D591153S

(12) **United States Design Patent**  
**Strepkoff**

(10) **Patent No.:** **US D591,153 S**  
(45) **Date of Patent:** **\*\* Apr. 28, 2009**

(54) **LEAKPROOF CAN LID**

(75) Inventor: **Karl Strepkoff**, Tokyo (JP)

(73) Assignee: **Soie Coquine Yugen Kaisha**, Tokyo (JP)

(\*\*) Term: **14 Years**

(21) Appl. No.: **29/310,226**

(22) Filed: **Aug. 1, 2008**

(30) **Foreign Application Priority Data**

Feb. 21, 2008 (EM) ..... 000882972

(51) **LOC (9) Cl.** ..... **09-07**

(52) **U.S. Cl.** ..... **D9/449; D9/445**

(58) **Field of Classification Search** ..... D9/716,  
D9/715, 454, 453, 452, 450, 449, 447, 446,  
D9/443, 438, 436, 435, 434; D7/643, 638,  
D7/505, 396.2, 392, 392.1, 305; 426/120;  
229/404, 401; 222/556, 480; 220/810, 713,  
220/375, 254.1–254.9; 215/236, 235; 206/807  
See application file for complete search history.

(56) **References Cited**

**U.S. PATENT DOCUMENTS**

D321,137 S \* 10/1991 Hofmann et al. .... D9/447  
5,085,331 A \* 2/1992 Groya et al. .... 215/245  
D331,537 S \* 12/1992 Tucker ..... D9/447  
D339,290 S \* 9/1993 Close ..... D9/447

D532,297 S \* 11/2006 Myers et al. .... D9/447

\* cited by examiner

*Primary Examiner*—Robert M. Spear

*Assistant Examiner*—Susan Bennett Hattan

(74) *Attorney, Agent, or Firm*—Ohlandt, Greeley, Ruggiero  
& Perle, L.L.P

(57) **CLAIM**

The ornamental design for a leakproof can lid, as shown and described.

**DESCRIPTION**

FIG. 1 is a front perspective view of the leakproof can lid of the present disclosure, in a closed position;

FIG. 2 is a front view of the leakproof can lid of FIG. 1;

FIG. 3 is a side view of the leakproof can lid of FIG. 1;

FIG. 4 is a top view of the leakproof can lid of FIG. 1;

FIG. 5 is a rear view of the leakproof can lid of FIG. 1;

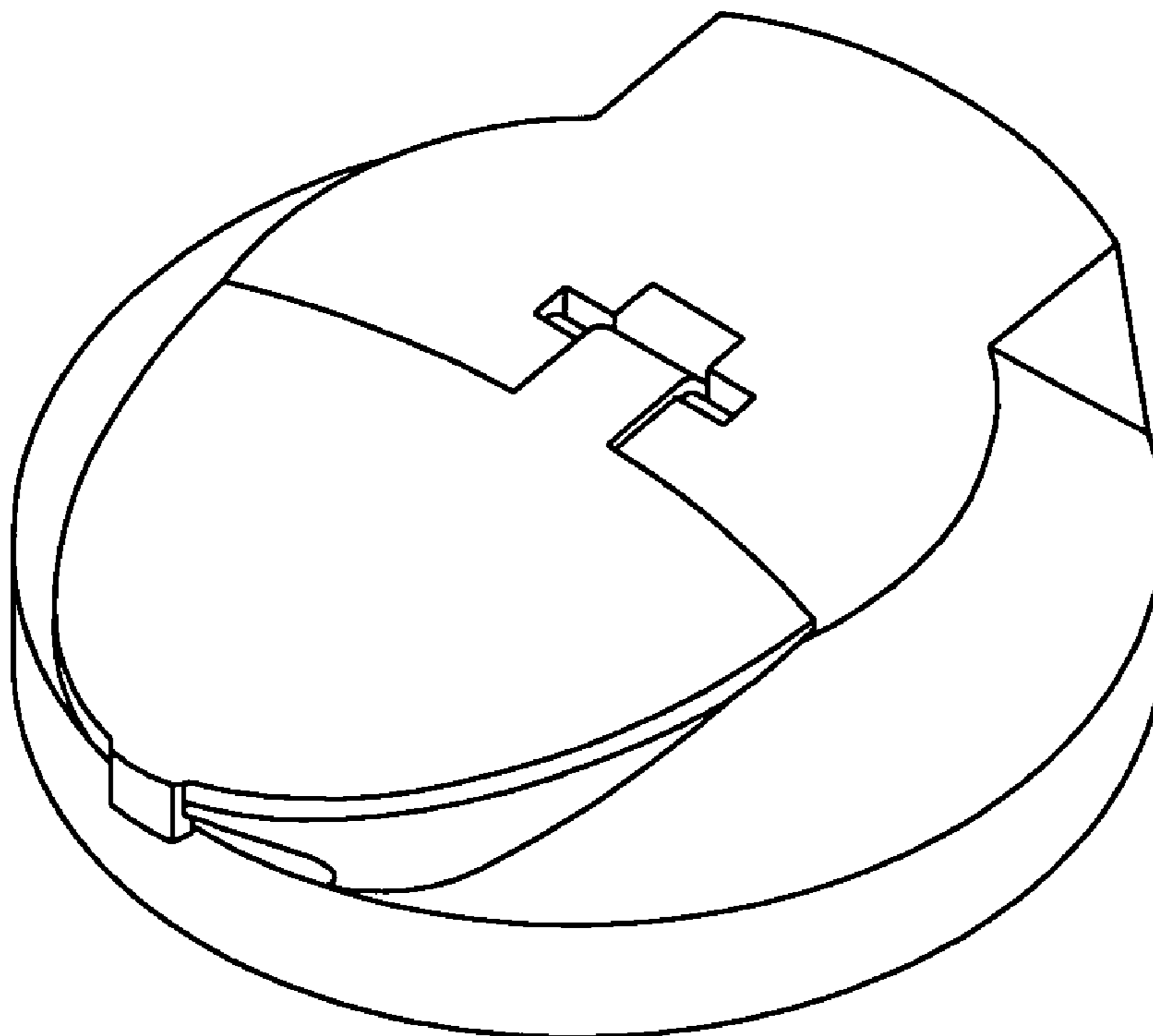
FIG. 6 is a bottom view of the leakproof can lid of FIG. 1;

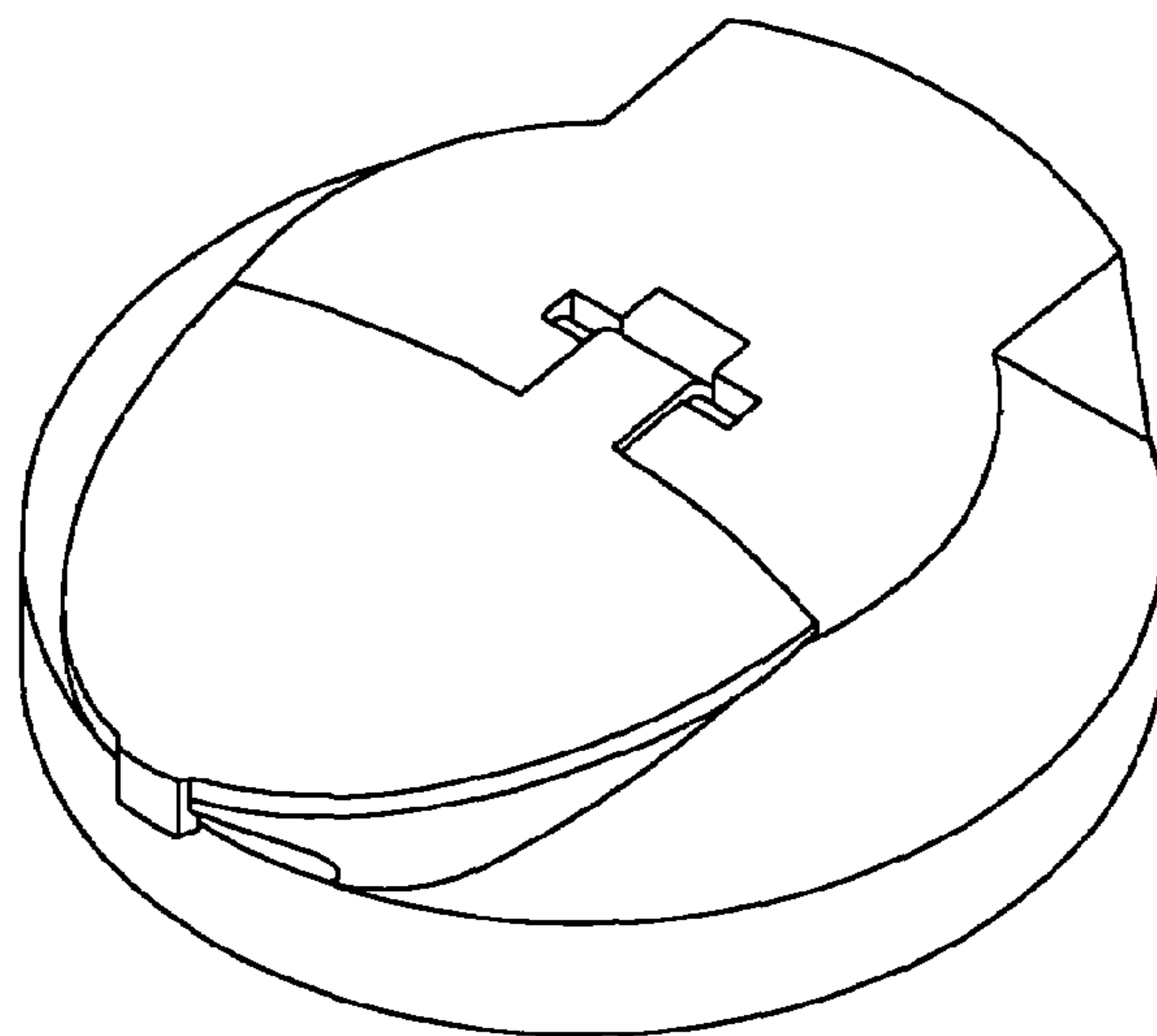
FIG. 7 is a cross-sectional view of the leakproof can lid of FIG. 1, taken along line 7—7 of FIG. 4; and,

FIG. 8 is a front perspective view of the leakproof can lid of FIG. 1, in an opened position.

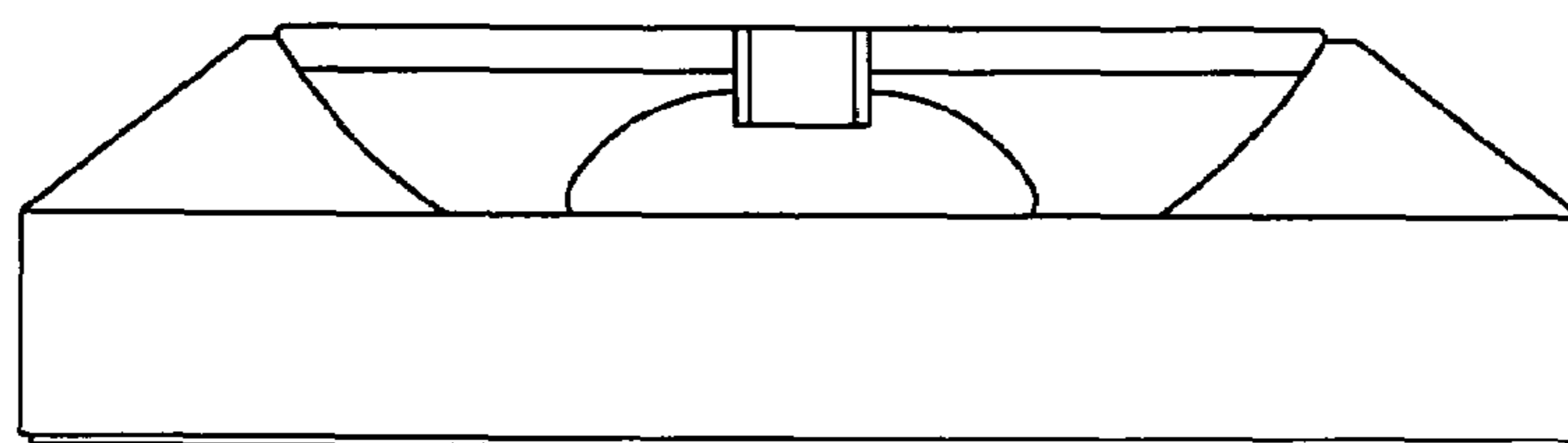
The broken lines in the drawings depict environmental subject matter only and form no part of the claimed design.

**1 Claim, 4 Drawing Sheets**

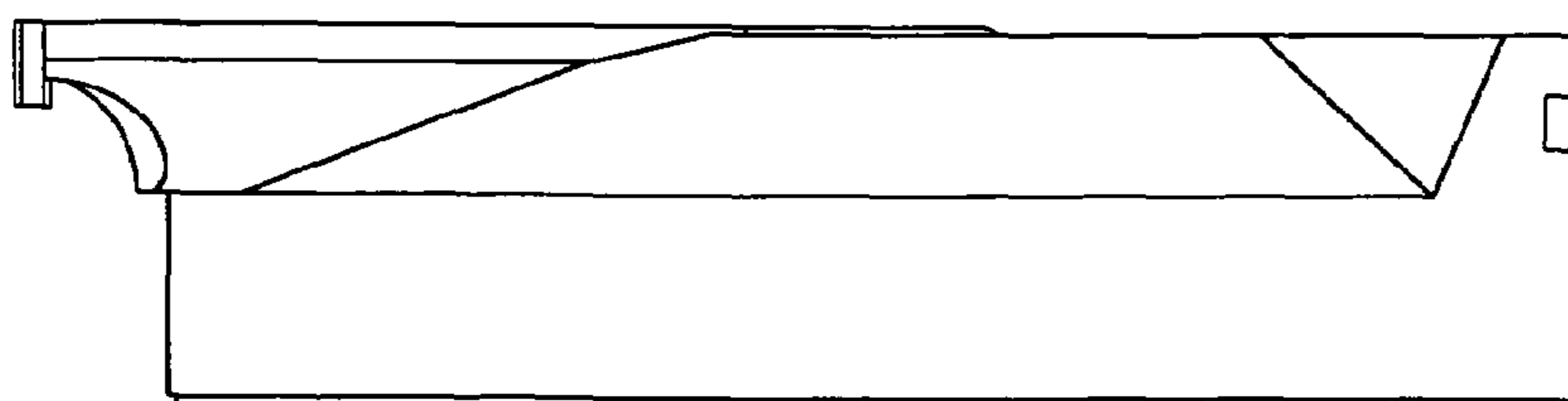




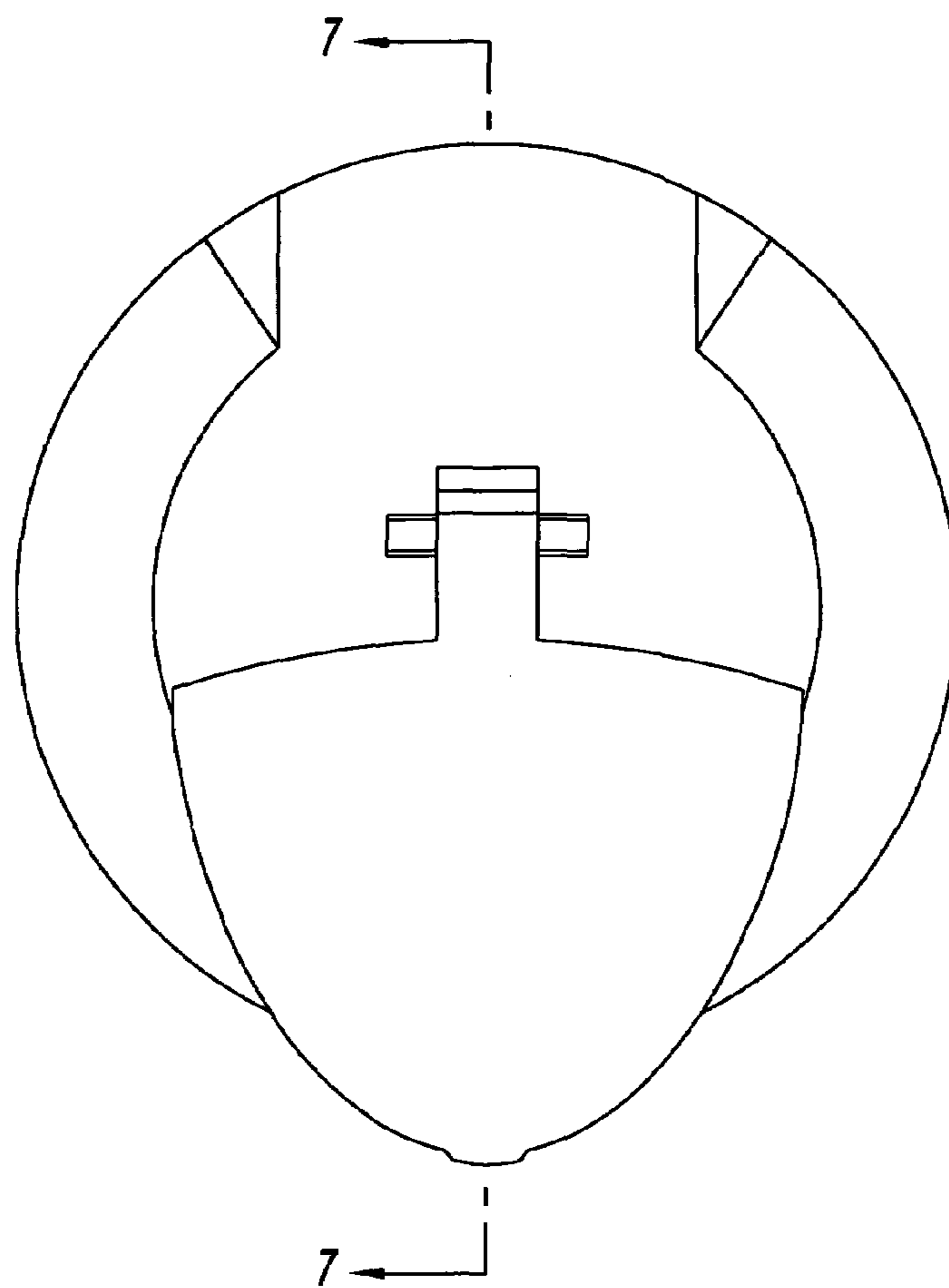
*Fig. 1*



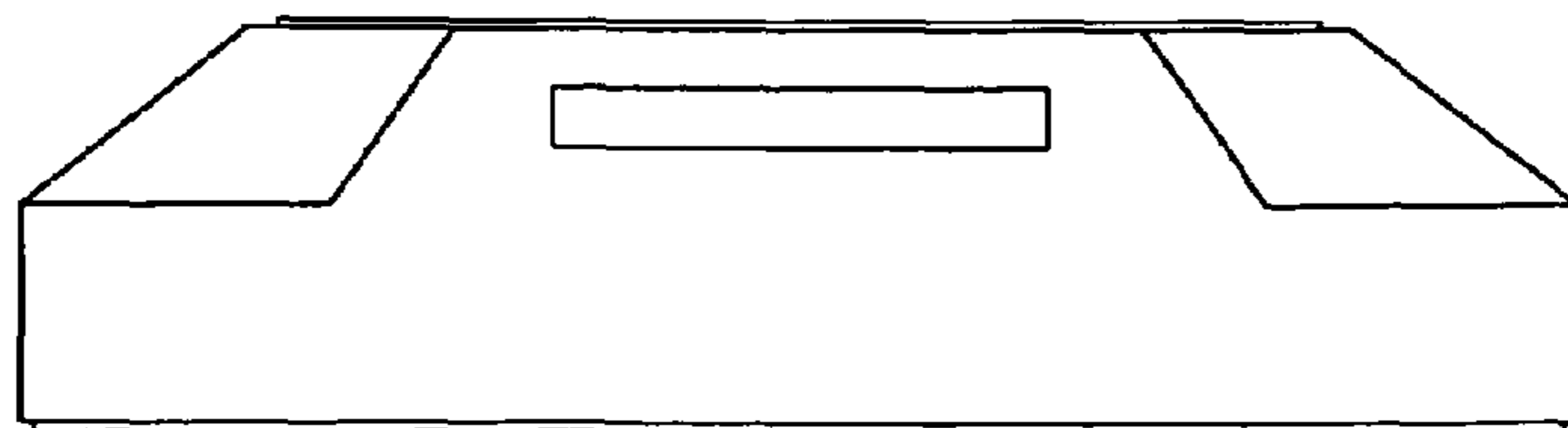
*Fig. 2*



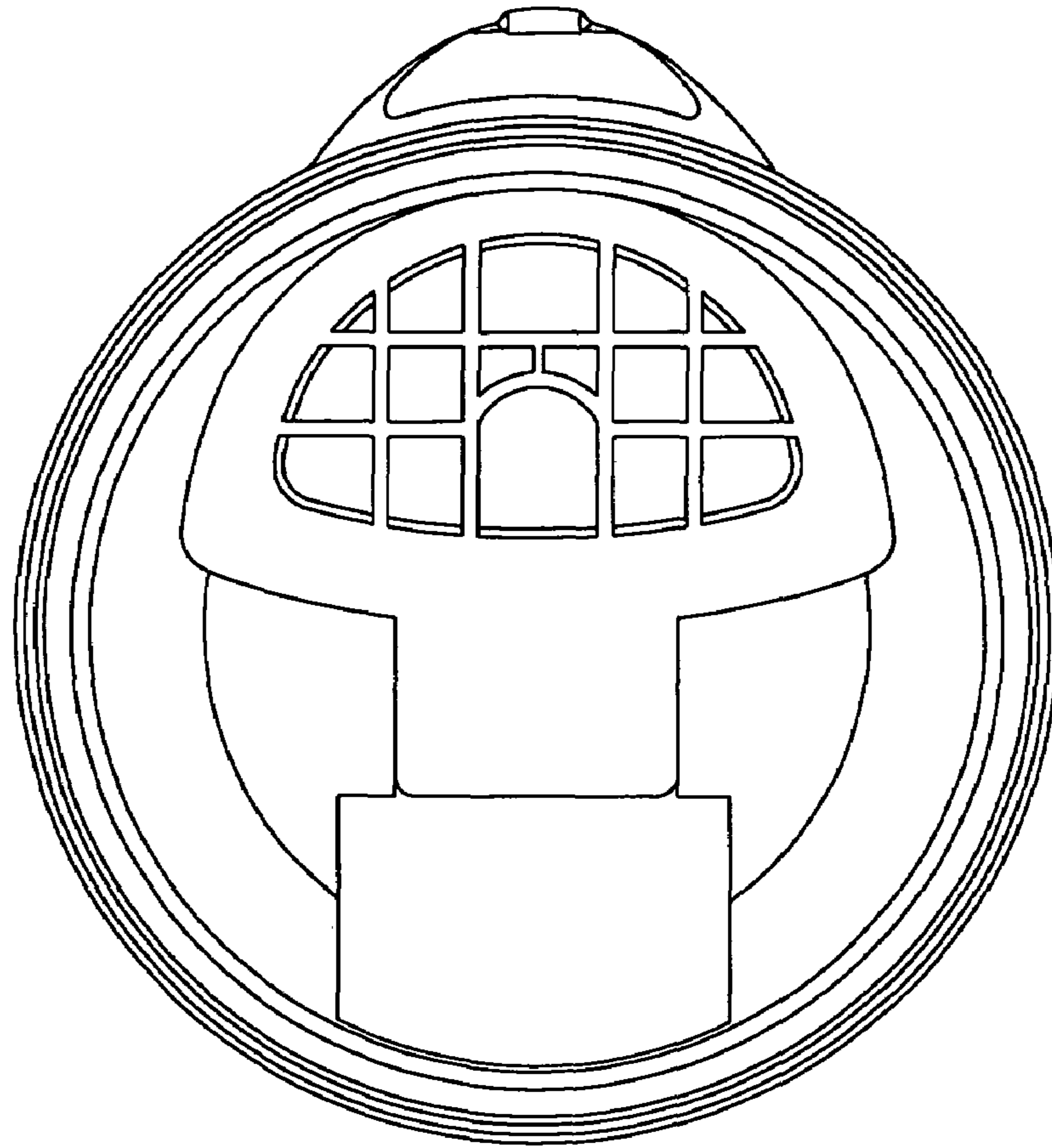
*Fig. 3*



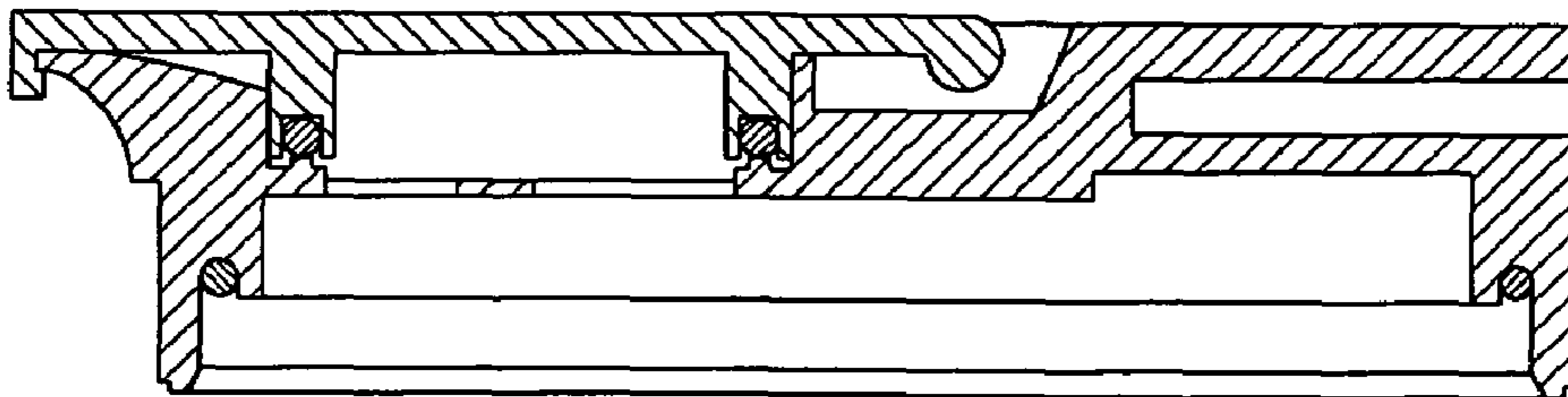
*Fig. 4*



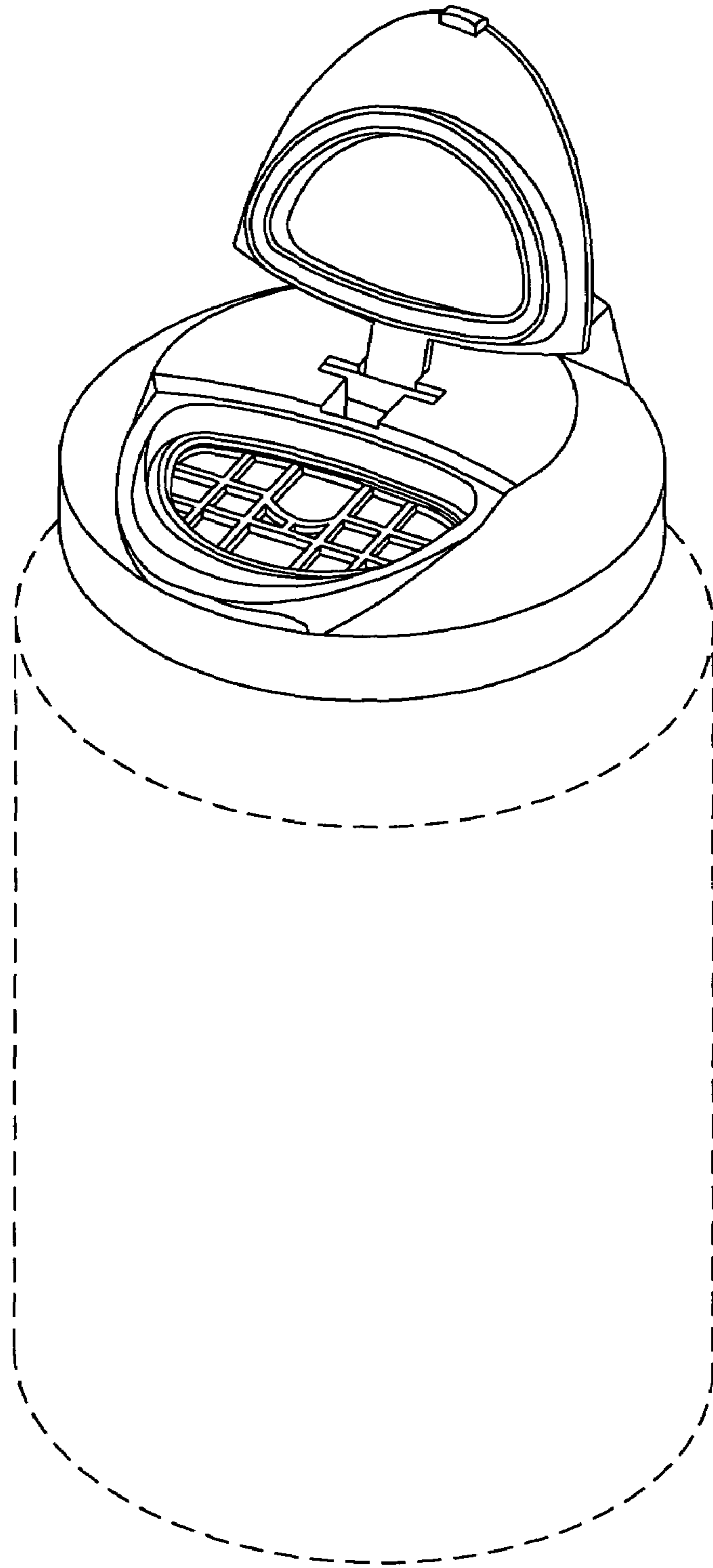
*Fig. 5*



*Fig. 6*



*Fig. 7*



*Fig. 8*