

US00D591152S

(12) **United States Design Patent**
Hatalla

(10) **Patent No.:** **US D591,152 S**

(45) **Date of Patent:** **** Apr. 28, 2009**

(54) **CLOSURE FOR CONTAINERS**

D476,564 S * 7/2003 Flasch D9/447

(75) Inventor: **Chris Daniel Hatalla**, St. Louis Park,
MN (US)

* cited by examiner

Primary Examiner—Susan Bennett Hattan

(73) Assignee: **Nestec S.A.**, Vevey (CH)

(74) *Attorney, Agent, or Firm*—Nestle HealthCare Nutrition

(**) Term: **14 Years**

(57) **CLAIM**

(21) Appl. No.: **29/324,461**

The ornamental design for a closure for containers, as shown and described herein.

(22) Filed: **Sep. 12, 2008**

DESCRIPTION

(51) **LOC (9) Cl.** **09-07**

FIG. 1 illustrates a front perspective view of a closure for containers;

(52) **U.S. Cl.** **D9/447; D9/453**

FIG. 2 illustrates a top view of the closure for containers of FIG. 1;

(58) **Field of Classification Search** D9/697,
D9/695, 682, 453, 449, 448, 447, 446, 442,
D9/435, 434, 450, 520, 688; 222/94, 92,
222/490, 383.1, 321.7, 321.3, 251, 204, 153.14,
222/153.13, 153.02, 545; 221/288; 215/372;
206/63.5; 220/229

FIG. 3 illustrates a bottom view of the closure for containers of FIG. 1;

See application file for complete search history.

FIG. 4 illustrates a cross-sectional view of the closure for containers of FIG. 1; and,

(56) **References Cited**

FIG. 5 illustrates a side view of the closure for containers of FIG. 1.

U.S. PATENT DOCUMENTS

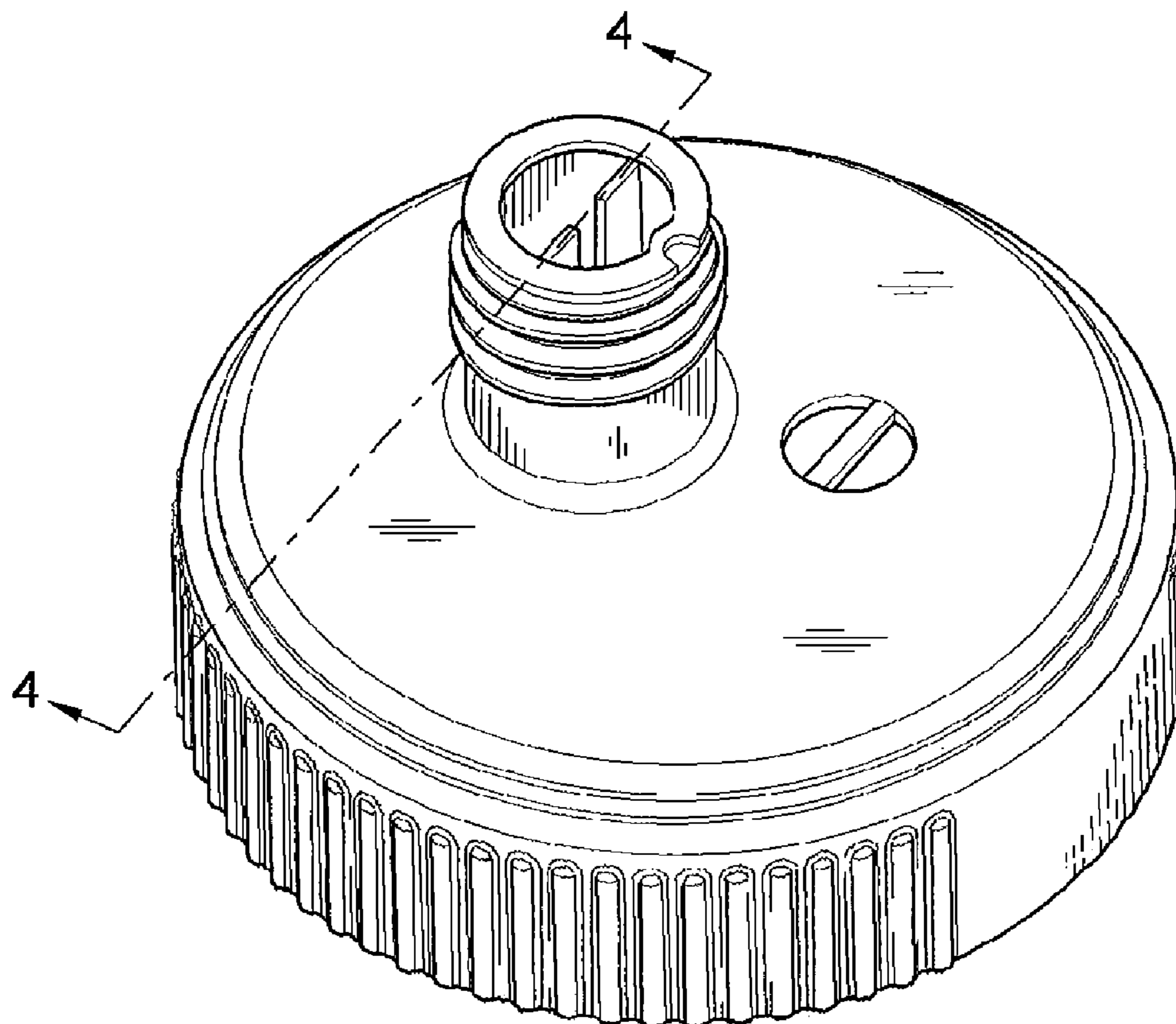
The broken lines in the drawings depict environmental subject matter only and form no part of the claimed design.

D286,027 S * 10/1986 Waher et al. D9/435

D316,035 S * 4/1991 Pepitone D9/447

D388,705 S * 1/1998 Miller et al. D9/447

1 Claim, 3 Drawing Sheets



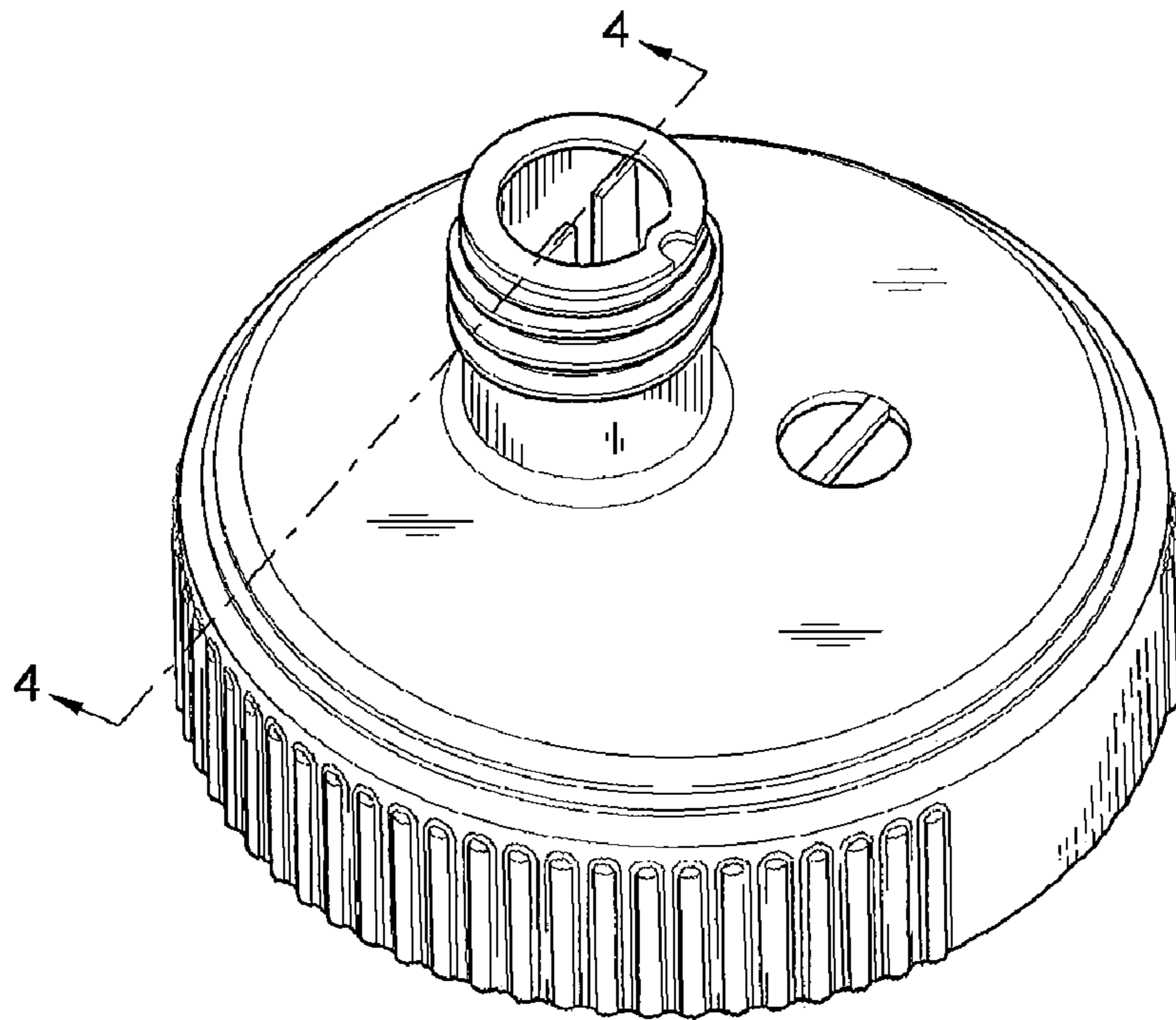


FIG. 1

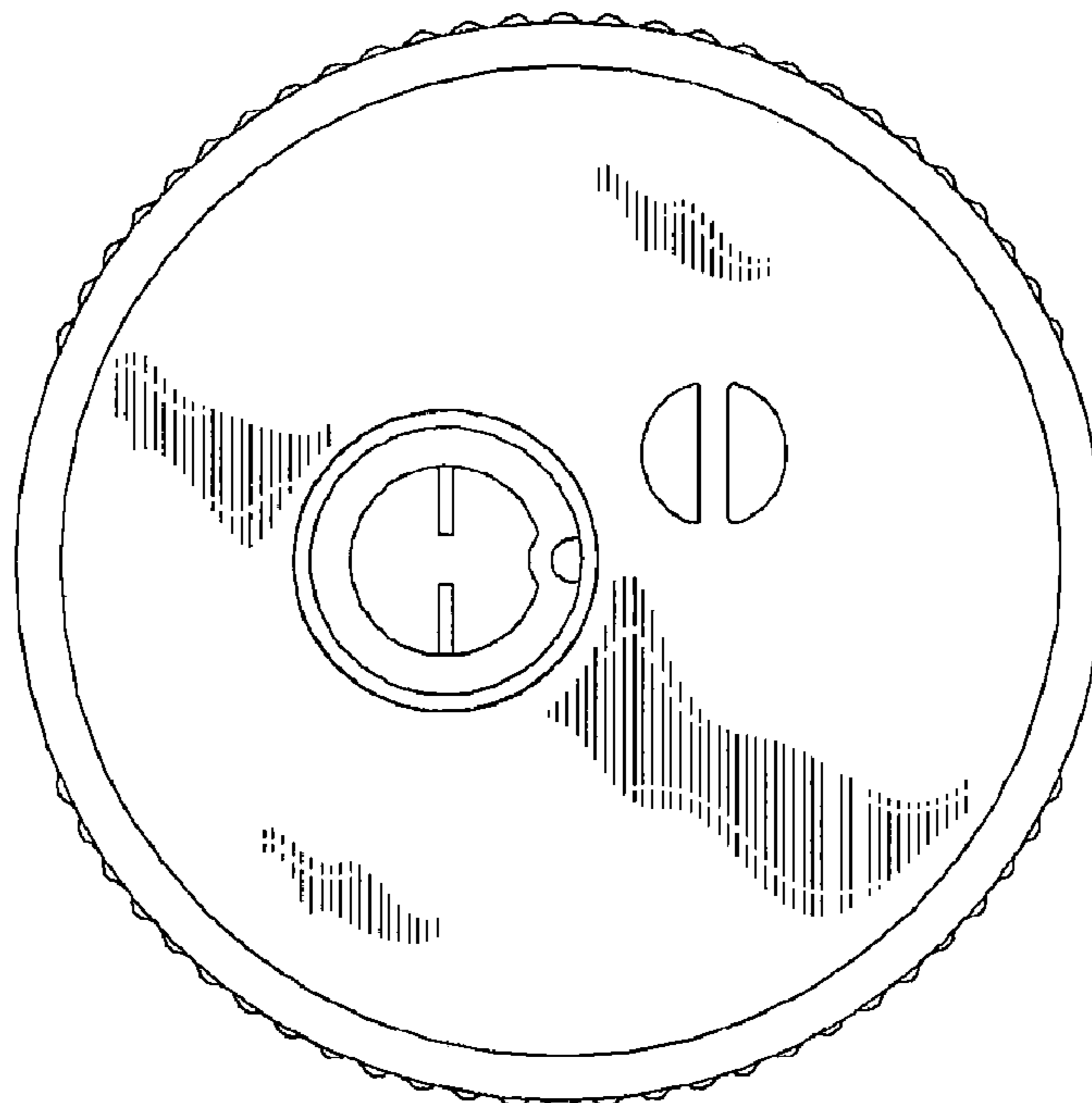


FIG. 2

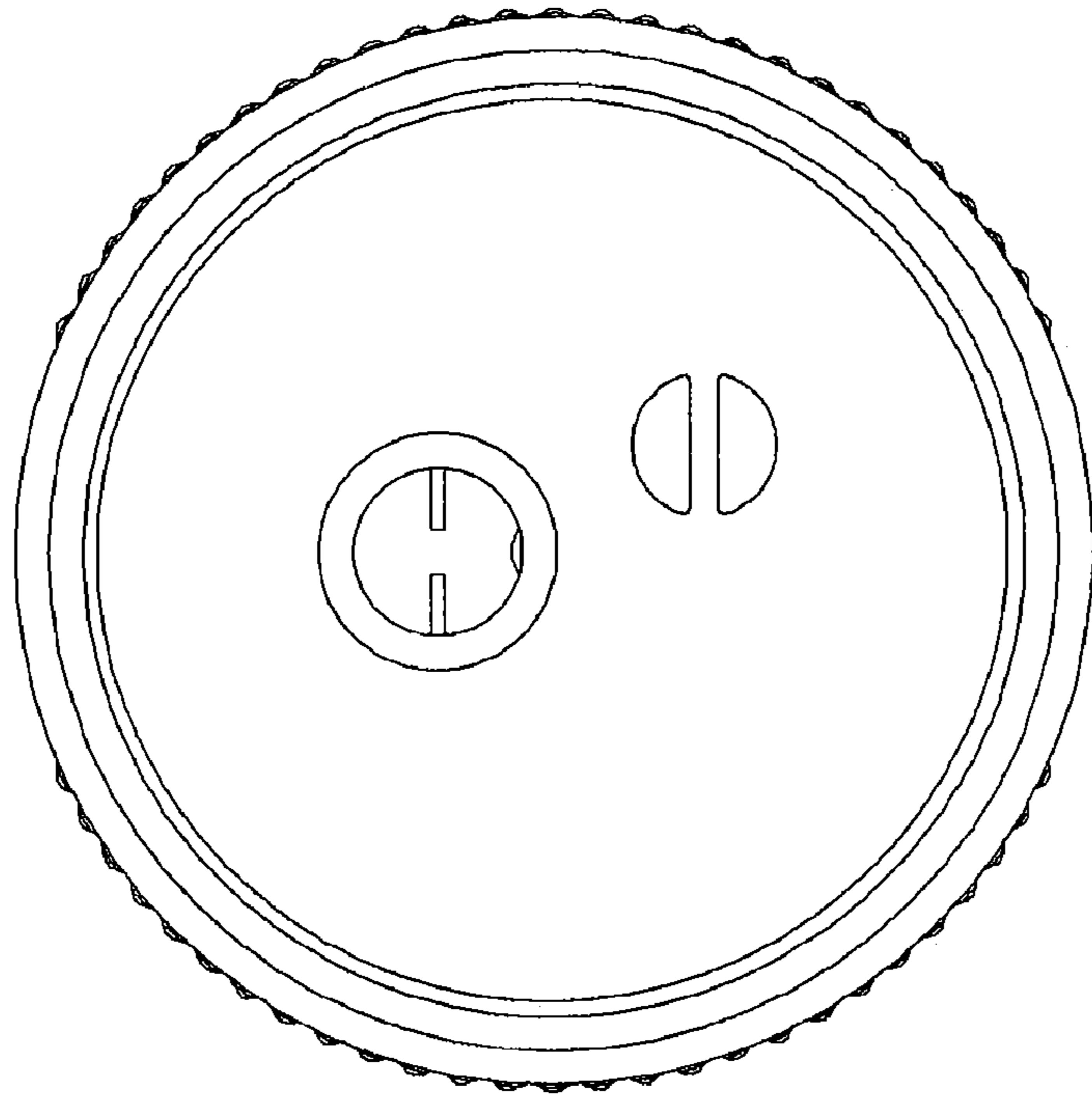


FIG. 3

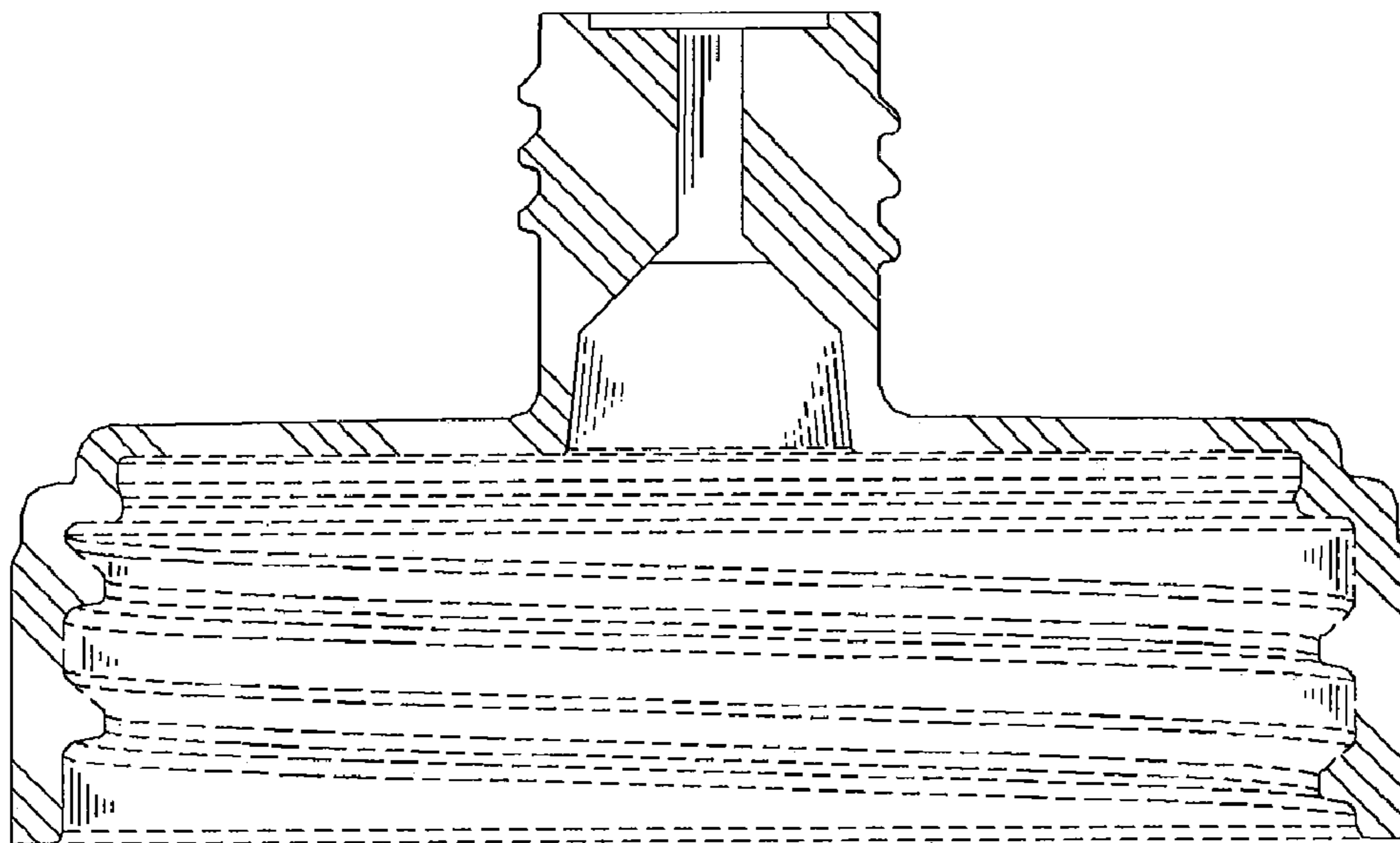


FIG. 4

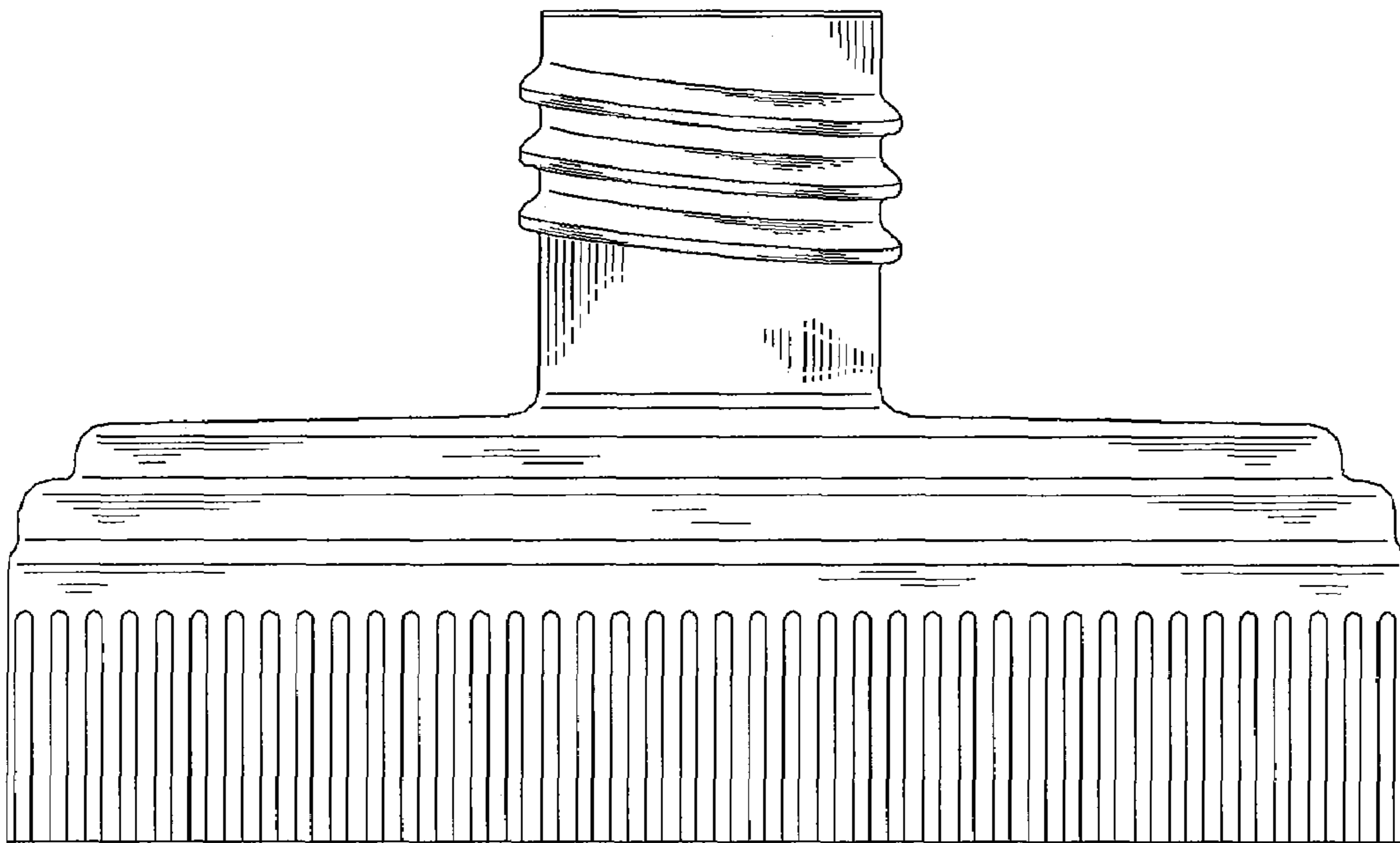


FIG. 5