



US00D591151S

(12) **United States Design Patent**  
**Freeman**

(10) **Patent No.:** **US D591,151 S**

(45) **Date of Patent:** **\*\* Apr. 28, 2009**

(54) **LIQUID-DISPENSING COMPARTMENTED LID**

(76) **Inventor:** **Glen D. Freeman**, 3627 Beach Way, Van Buren, AR (US) 72956-7719

(\*\*) **Term:** **14 Years**

(21) **Appl. No.:** **29/312,663**

(22) **Filed:** **Nov. 4, 2008**

**Related U.S. Application Data**

(63) Continuation-in-part of application No. 11/796,839, filed on Apr. 30, 2007.

(51) **LOC (9) Cl.** ..... **09-07**

(52) **U.S. Cl.** ..... **D9/447; D9/454; D9/449**

(58) **Field of Classification Search** ..... D9/716, D9/715, 454, 453, 452, 450, 449, 447, 446, D9/443, 438, 436, 435, 434; D7/643, 638, D7/505, 396.2, 392, 392.1, 305; 426/120; 229/404, 401; 222/556, 480; 220/810, 713, 220/375, 254.1-254.9; 215/236, 235; 206/807  
See application file for complete search history.

(56) **References Cited**

**U.S. PATENT DOCUMENTS**

- D212,843 S \* 12/1968 Hart et al. .... D9/452
- D234,026 S \* 12/1974 Winter ..... D24/224
- D271,945 S \* 12/1983 Ochs ..... D9/452
- D280,600 S \* 9/1985 Earl ..... D9/503
- D320,343 S \* 10/1991 Halm et al. .... D32/29.1
- D379,928 S \* 6/1997 Freek et al. .... D9/447

- D402,556 S \* 12/1998 Frye ..... D9/447
- D417,845 S \* 12/1999 Sadlier et al. .... D9/447
- D473,791 S \* 4/2003 Loris ..... D9/447
- D516,424 S \* 3/2006 Schweigert et al. .... D9/447
- D516,910 S \* 3/2006 Bresler ..... D9/447
- D553,819 S \* 10/2007 Brothers ..... D32/54
- D561,582 S \* 2/2008 Nottingham et al. .... D9/434

\* cited by examiner

*Primary Examiner*—Susan Bennett Hattan

(74) *Attorney, Agent, or Firm*—Matthew R. Kaser

(57) **CLAIM**

The ornamental design for a liquid-dispensing compartmented lid, as shown and described.

**DESCRIPTION**

FIG. 1 is a view of a liquid-dispensing compartmented lid showing my new design from above.

FIG. 2 is a view of the liquid-dispensing compartmented lid from one side.

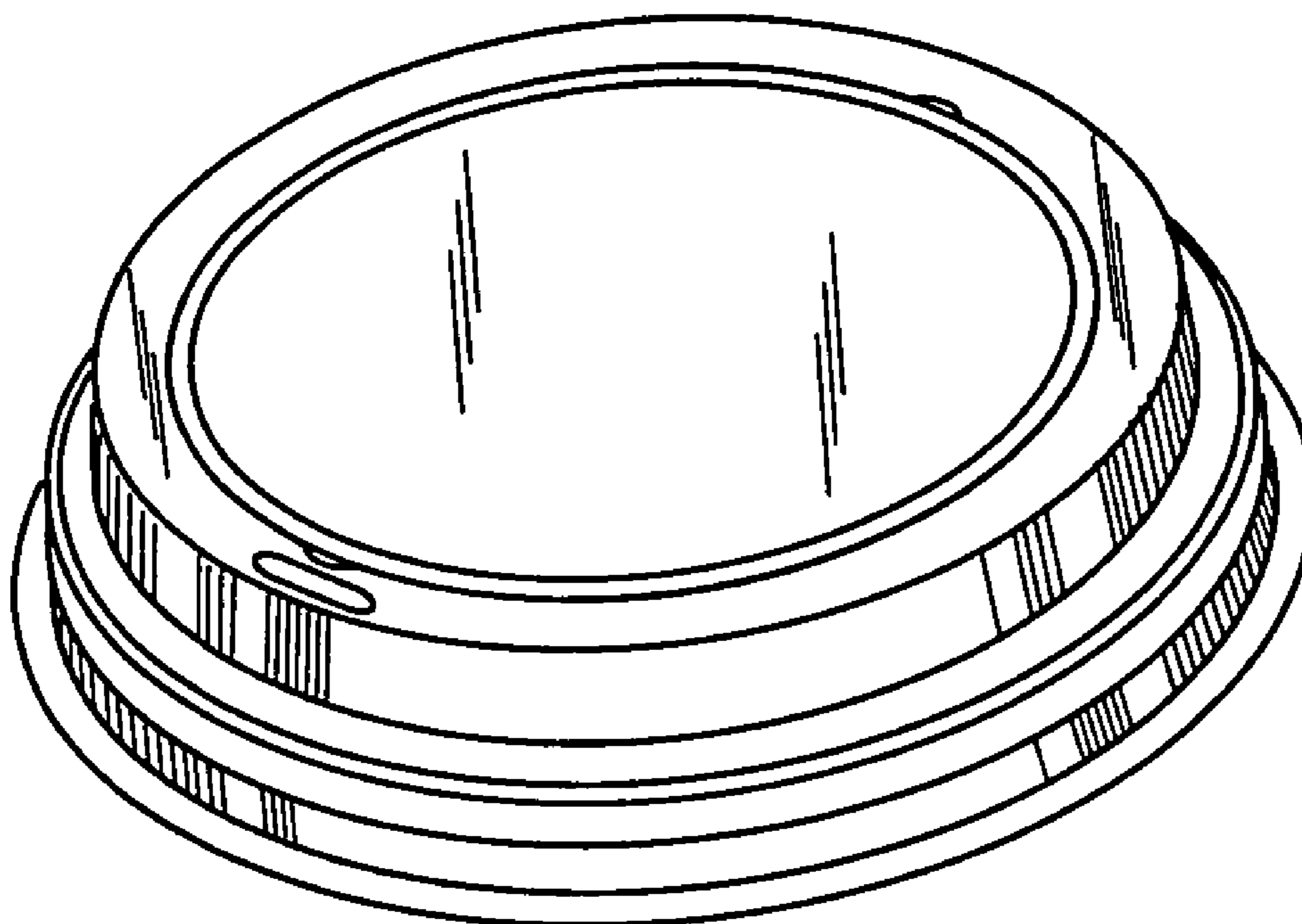
FIG. 3 is a view of the liquid-dispensing compartmented lid from below.

FIG. 4 is a three-quarters perspective view of the liquid-dispensing compartmented lid.

FIG. 5 is the same three-quarters perspective view of FIG. 4 cut-away to show the design of the lid within; and,

FIG. 6 is the same three-quarters perspective view of FIG. 4 showing the liquid-dispensing compartmented lid having an optional closure or seal.

**1 Claim, 4 Drawing Sheets**



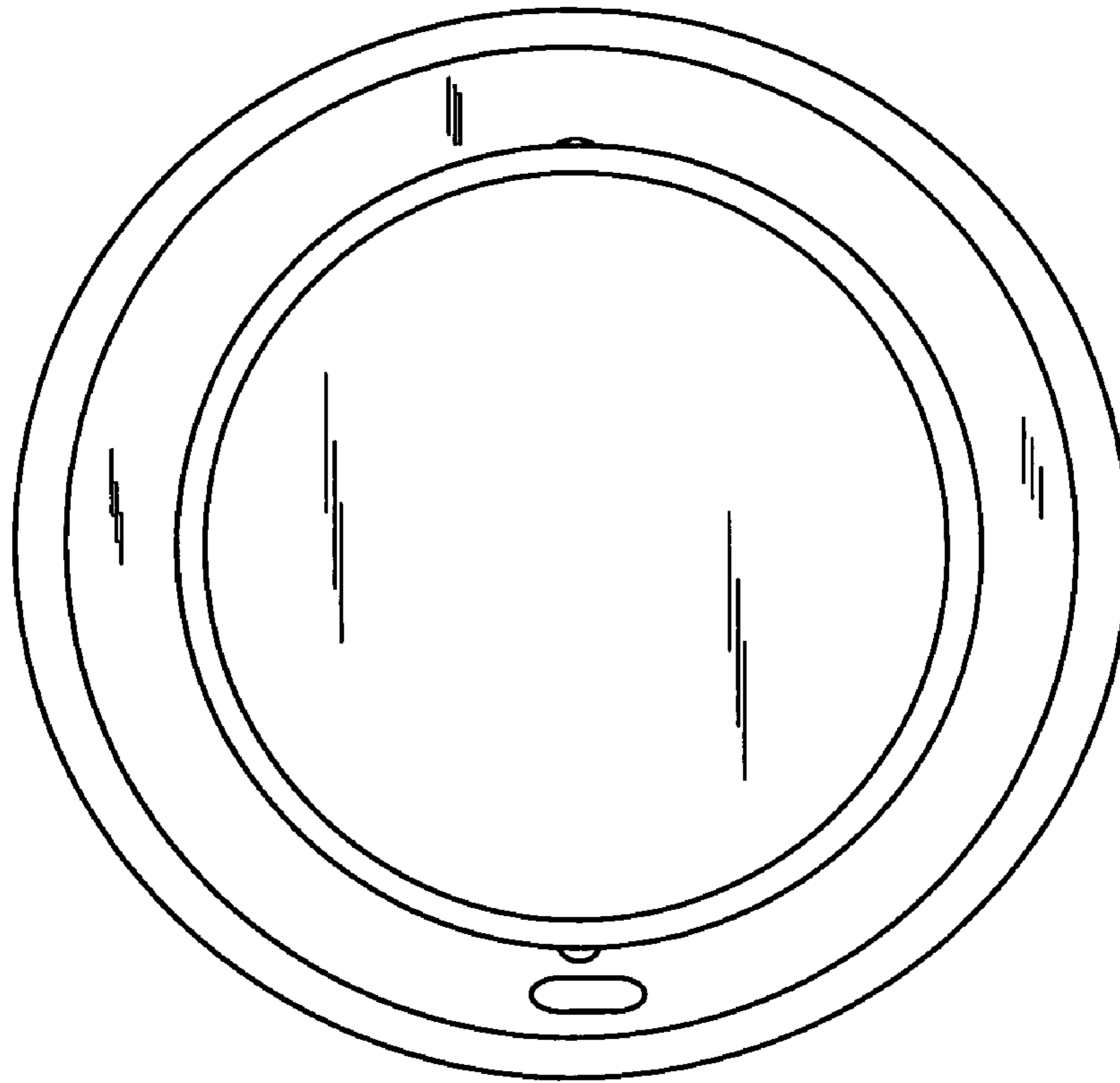


Fig. 1

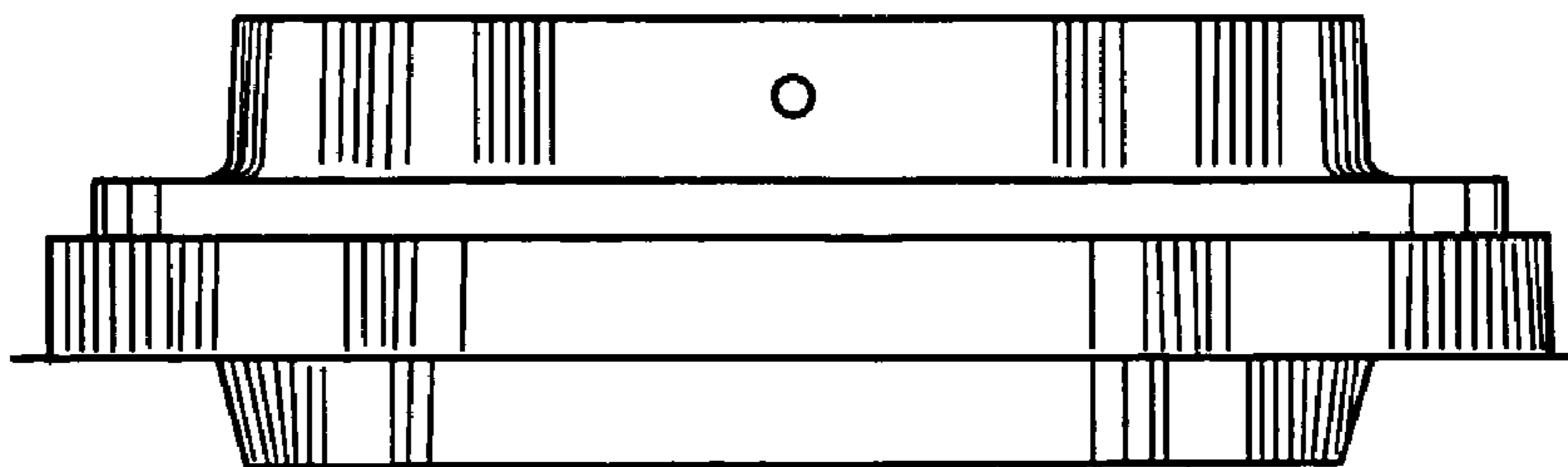


Fig. 2

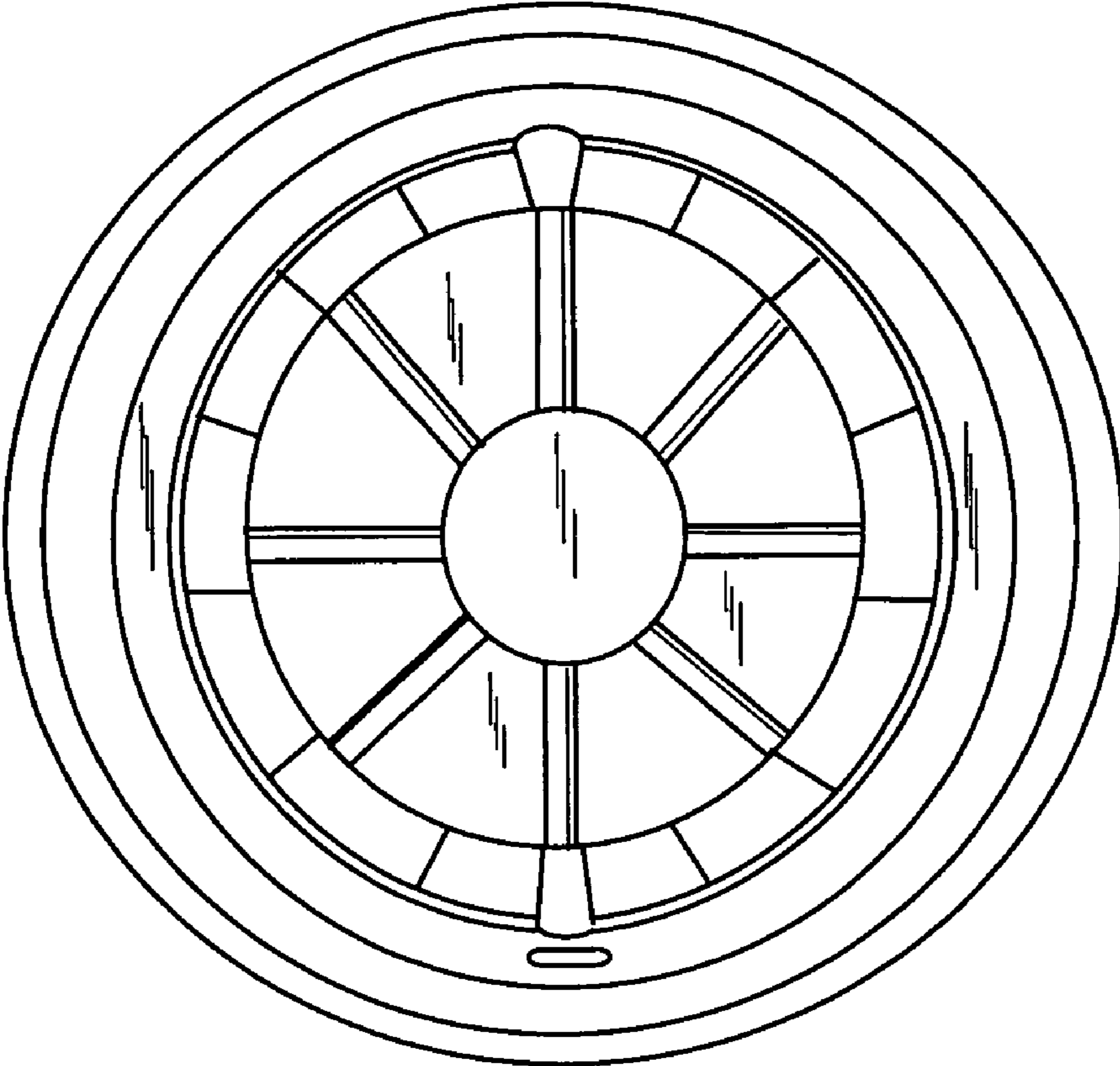


Fig. 3

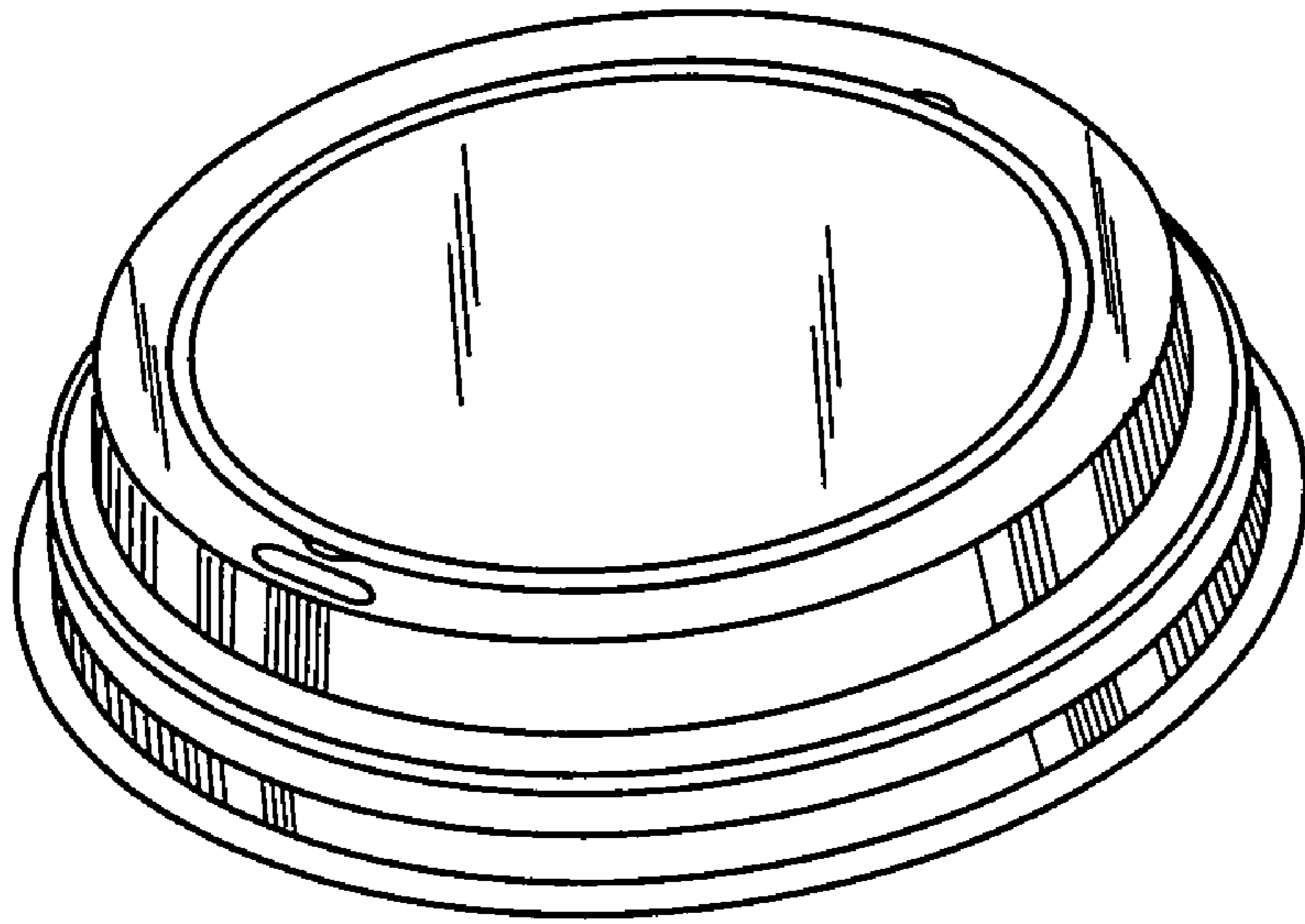


Fig. 4

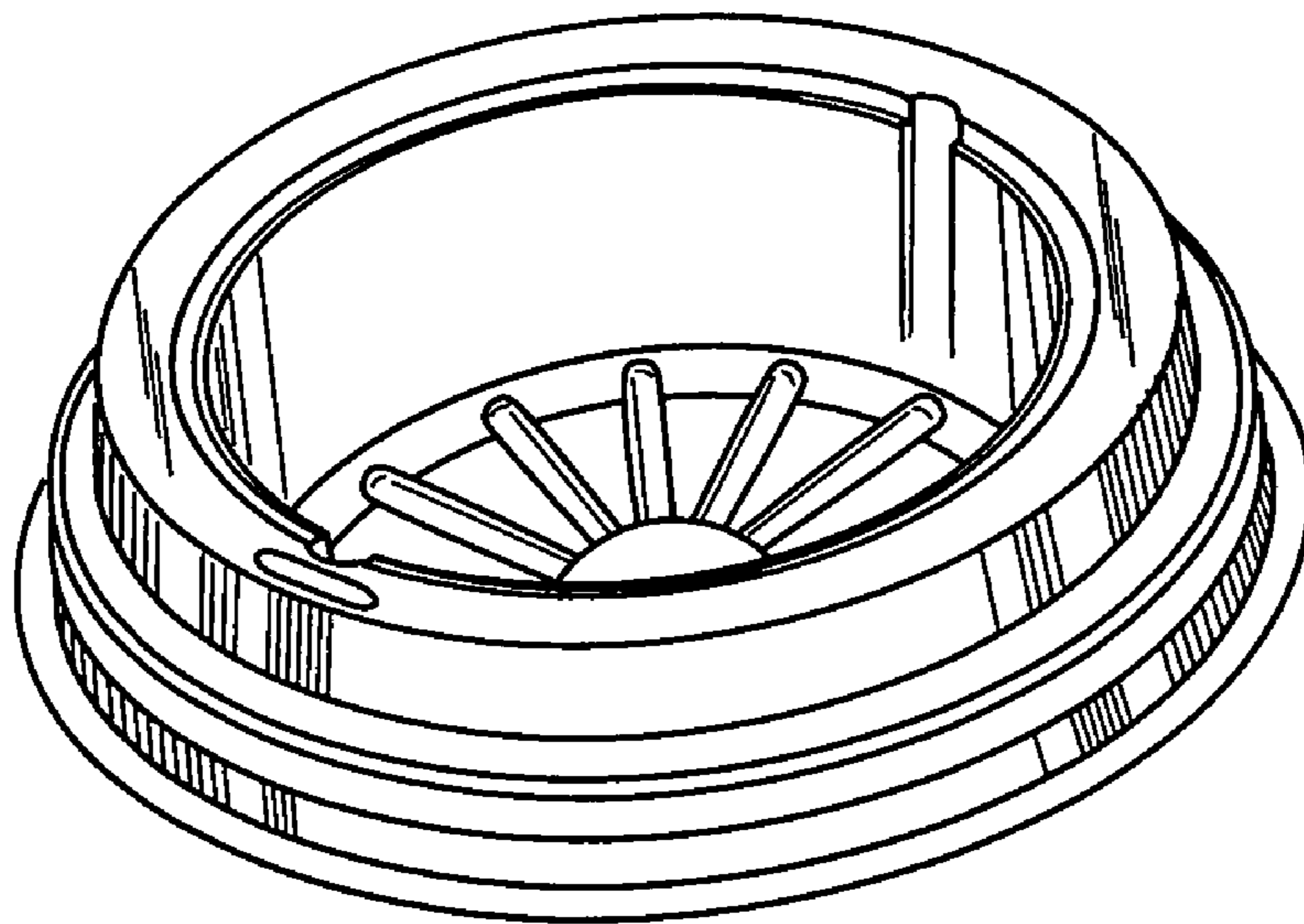


Fig. 5

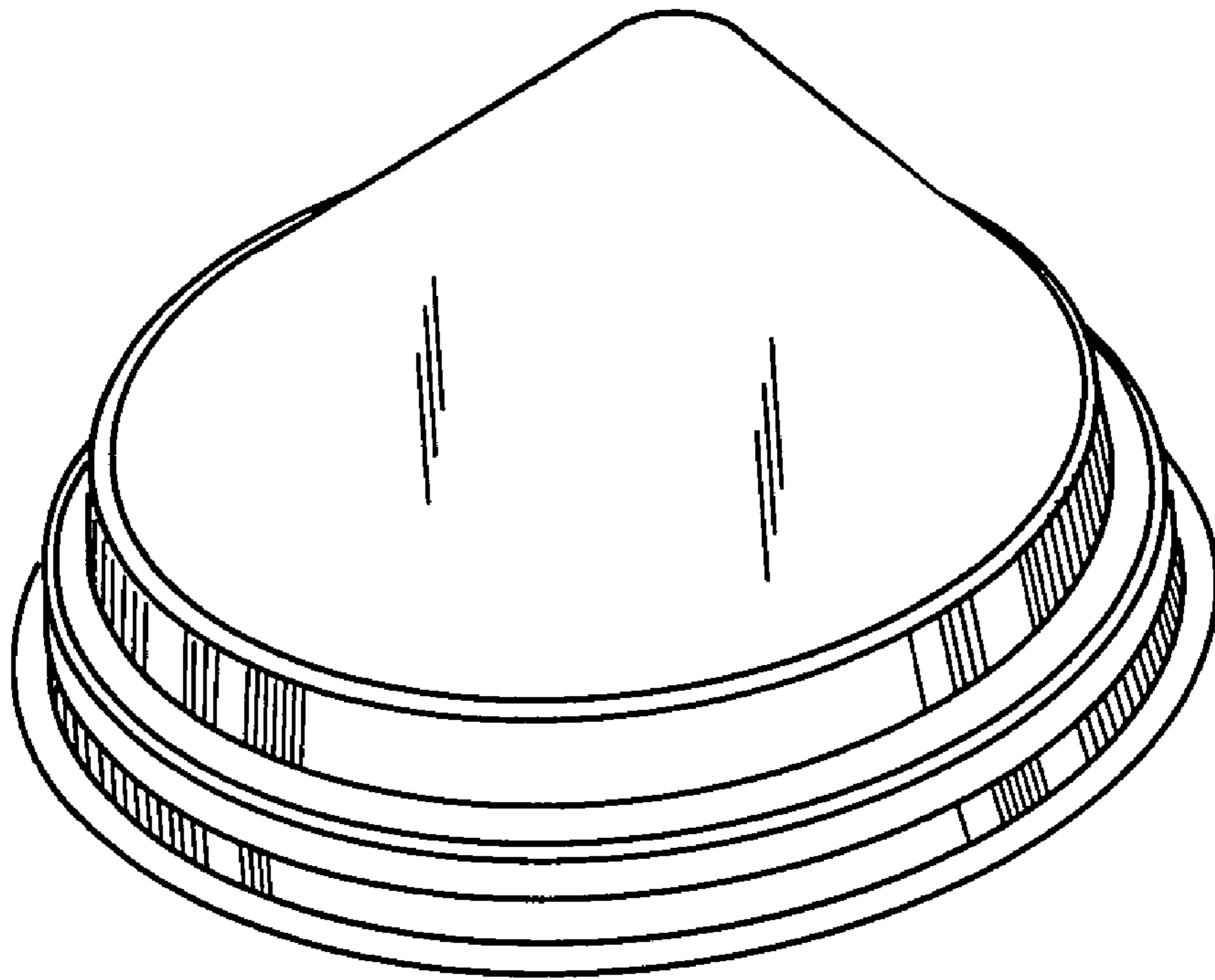


Fig. 6