



US00D591149S

(12) **United States Design Patent**
Bonner et al.

(10) **Patent No.:** **US D591,149 S**
(45) **Date of Patent:** **** Apr. 28, 2009**

(54) **PACKAGING FOR FOOD PRODUCT**

(75) Inventors: **Charles Daniel Bonner**, Naperville, IL (US); **Bradley Vacca**, Kampsville, IL (US); **Arthur Wilbert McCants**, St. Louis, MO (US); **James Edward Brewer**, Pacific, MO (US); **Michael Brewer**, Webster Groves, MO (US)

(73) Assignee: **Sara Lee Corporation**, Downers Grove, IL (US)

(**) Term: **14 Years**

(21) Appl. No.: **29/282,766**

(22) Filed: **Jul. 27, 2007**

Related U.S. Application Data

(63) Continuation-in-part of application No. 11/246,370, filed on Oct. 7, 2005.

(51) **LOC (9) Cl.** **09-07**

(52) **U.S. Cl.** **D9/434; D9/435**

(58) **Field of Classification Search** D9/716, D9/715, 454, 453, 452, 450, 449, 447, 446, D9/443, 438, 436, 435, 434; D7/643, 638, D7/505, 396.2, 392, 392.1, 305; 426/120; 229/404, 401; 222/556, 480; 220/810, 713, 220/375, 254.1-254.9; 215/236, 235; 206/807
See application file for complete search history.

(56) **References Cited**

U.S. PATENT DOCUMENTS

1,861,124 A	5/1932	Lorber
2,604,976 A	7/1952	Sarg
2,739,751 A	3/1956	Bailey
2,949,369 A	8/1960	Zoeller et al.

(Continued)

OTHER PUBLICATIONS

Pillsbury, photographs of Dough and Icing Cup Products (Cinnamon Rolls, Carmel Rolls, Flaky Cinnamon Twists) using packaging design believed to have been publicly disclosed before Oct. 7, 2005, 6 pages.

(Continued)

Primary Examiner—Susan Bennett Hattan

(74) *Attorney, Agent, or Firm*—Foley & Lardner LLP

(57) **CLAIM**

We claim the ornamental design for packaging for food product, as shown and described.

DESCRIPTION

FIG. 1 is a perspective view of a first embodiment of the claimed design;

FIG. 2 is a top view of FIG. 1;

FIG. 3 is a left side view of FIG. 1, the right side view is a mirror image of FIG. 3;

FIG. 4 is a rear side view of FIG. 1;

FIG. 5 is a front side view of FIG. 1;

FIG. 6 is a bottom view of FIG. 1;

FIG. 7 is a perspective view of a second embodiment of the claimed design;

FIG. 8 is a top view of FIG. 7;

FIG. 9 is a left side view of FIG. 7, the right side view is a mirror image of FIG. 9;

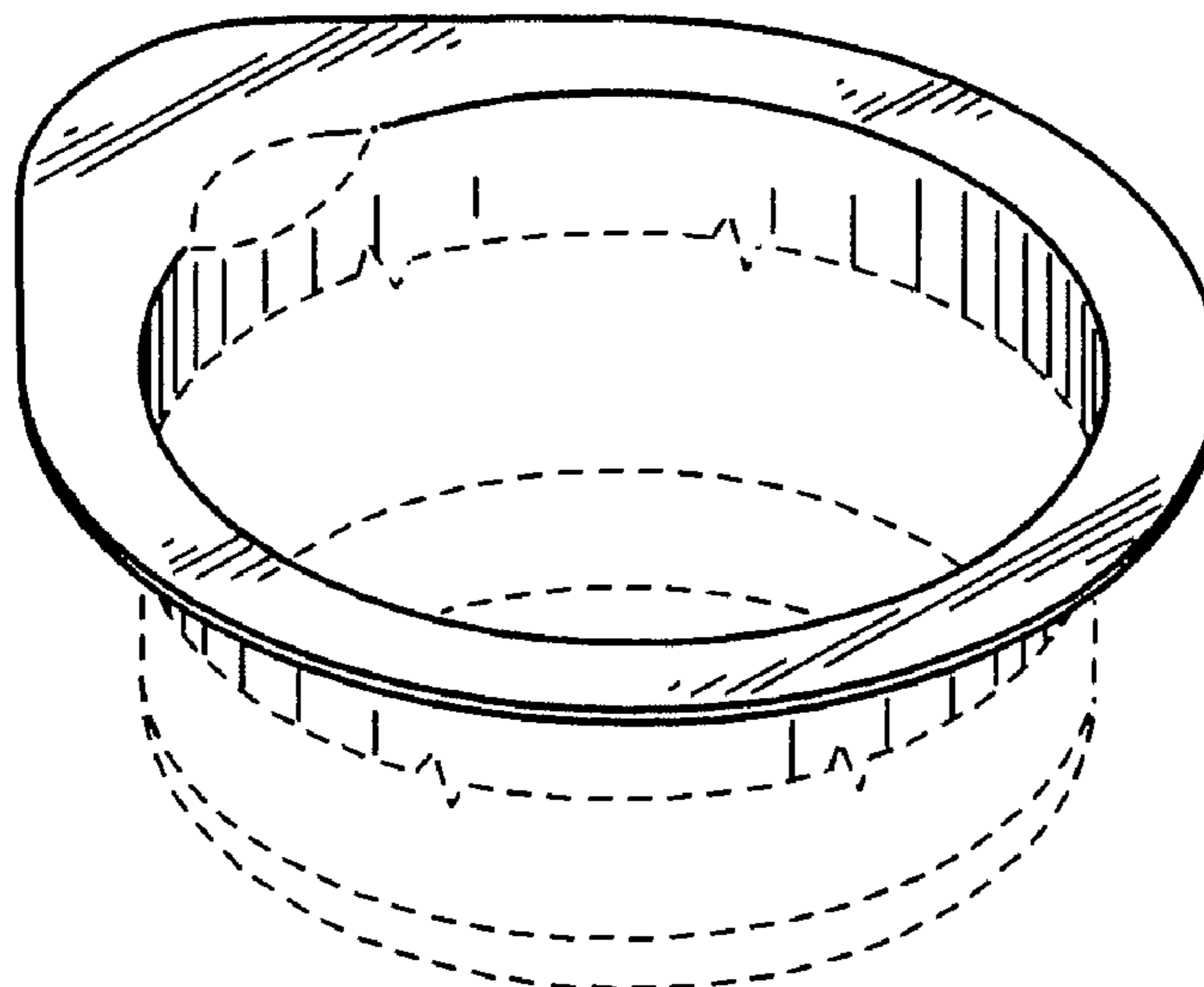
FIG. 10 is a rear side view of FIG. 7;

FIG. 11 is a front side view of FIG. 7; and,

FIG. 12 is a bottom view of FIG. 7.

The broken lines in the drawings depict environmental subject matter only and form no part of the claimed design.

1 Claim, 6 Drawing Sheets



US D591,149 S

Page 2

U.S. PATENT DOCUMENTS

2,963,194	A	12/1960	Brennan et al.				
3,015,429	A	1/1962	Morici				
3,182,890	A	5/1965	Elam				
3,243,038	A	3/1966	Caramanian				
D207,051	S *	2/1967	Bainbridge	D9/447		
3,385,503	A	5/1968	Stump				
3,506,459	A	4/1970	Parlour				
D234,026	S *	12/1974	Winter	D24/224		
3,851,757	A	12/1974	Turpin				
3,962,476	A	6/1976	Turpin				
4,114,784	A	9/1978	Hough et al.				
4,159,066	A	6/1979	Silver				
4,209,126	A *	6/1980	Elias	229/123.2		
4,314,650	A	2/1982	Cillario				
4,482,047	A	11/1984	Ackermann et al.				
D276,595	S *	12/1984	Miller	D9/434		
4,874,618	A	10/1989	Seaborne et al.				
D320,559	S *	10/1991	Olson	D9/439		
5,277,920	A	1/1994	Weaver, Jr.				
5,447,236	A	9/1995	Perry et al.				
D369,108	S *	4/1996	Haske	D9/447		
D390,461	S *	2/1998	Piselli	D9/435		
5,749,460	A	5/1998	Rice				
5,950,913	A	9/1999	Rea et al.				
6,060,088	A	5/2000	Alkimoto				
6,109,470	A	8/2000	Anta, Sr. et al.				
6,116,500	A	9/2000	Cahill				
6,723,360	B1	4/2004	Dunaway				
D489,611	S *	5/2004	Monsanty	D9/435		
D512,631	S *	12/2005	Lhoste et al.	D9/428		
2002/0114870	A1 *	8/2002	Rebhorn et al.	426/120		
2003/0205584	A1	11/2003	Niggemyer				

OTHER PUBLICATIONS

English Bay/Buehler's Photographs of Dough and Icing Cup Products (Cinnamon Rolls, Cinnamon Sugar Pretzels) using packaging design believed to have been publicly disclosed before Oct. 7, 2005, 2 pages.

* cited by examiner

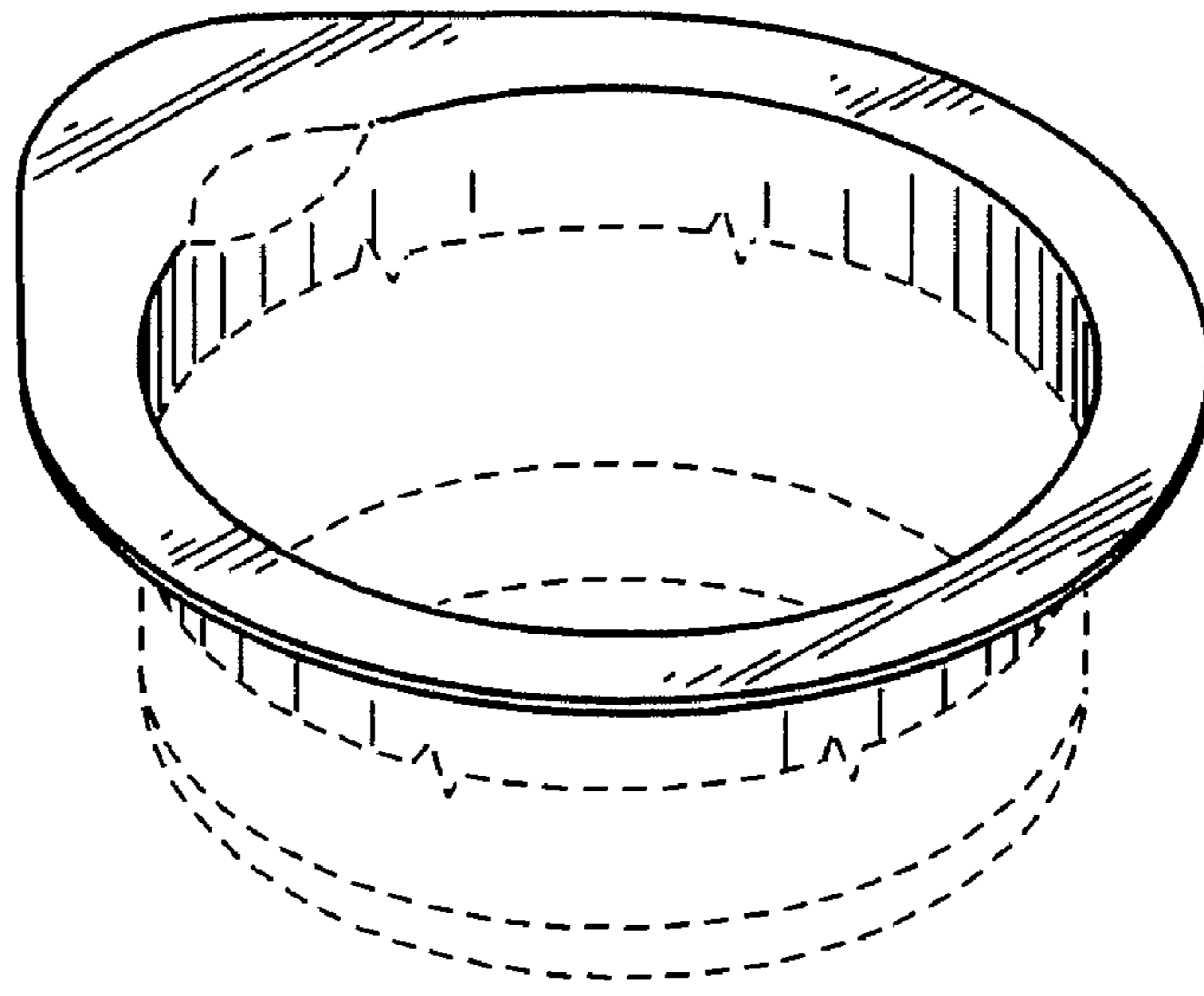


FIG. 1

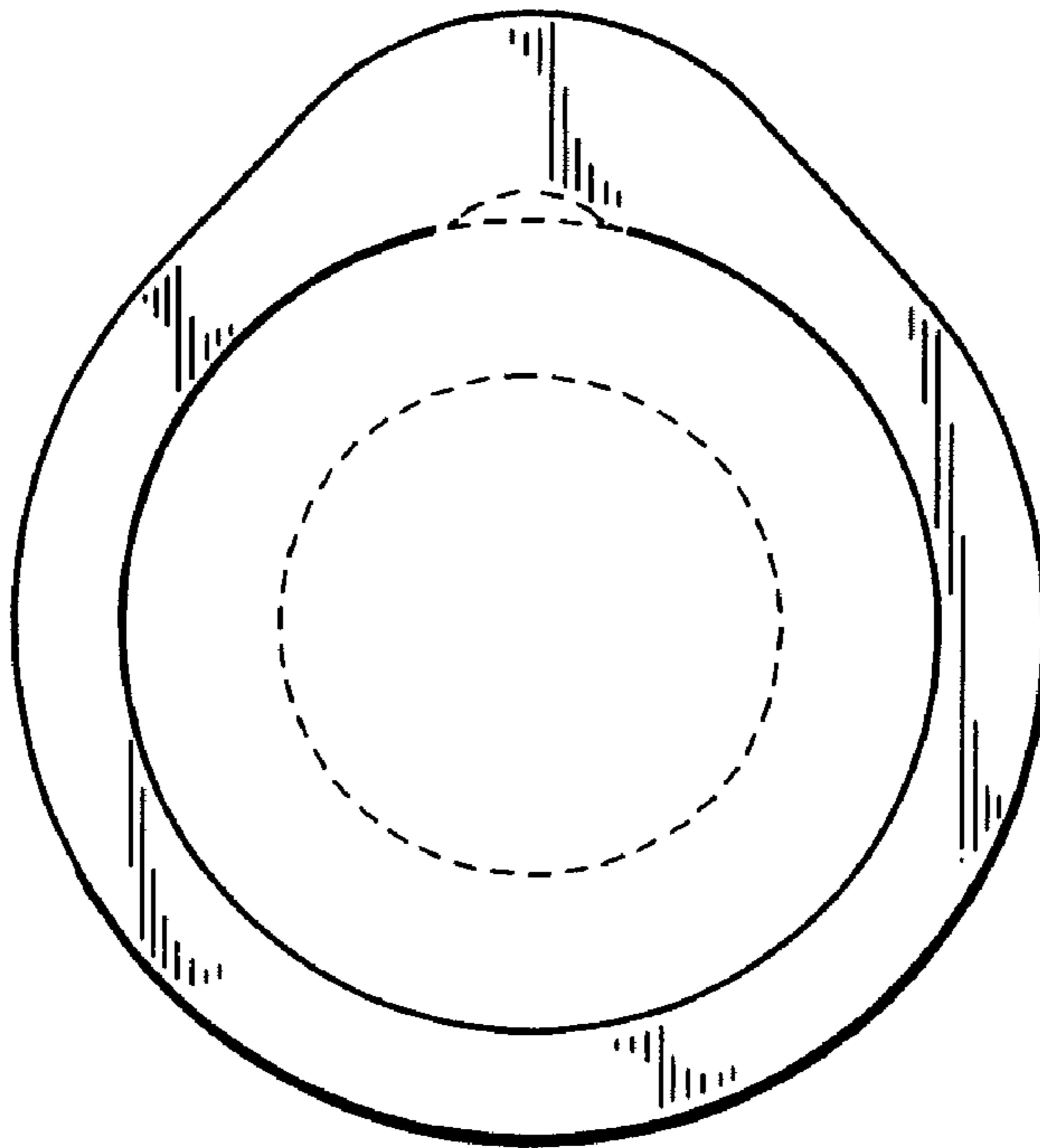


FIG. 2

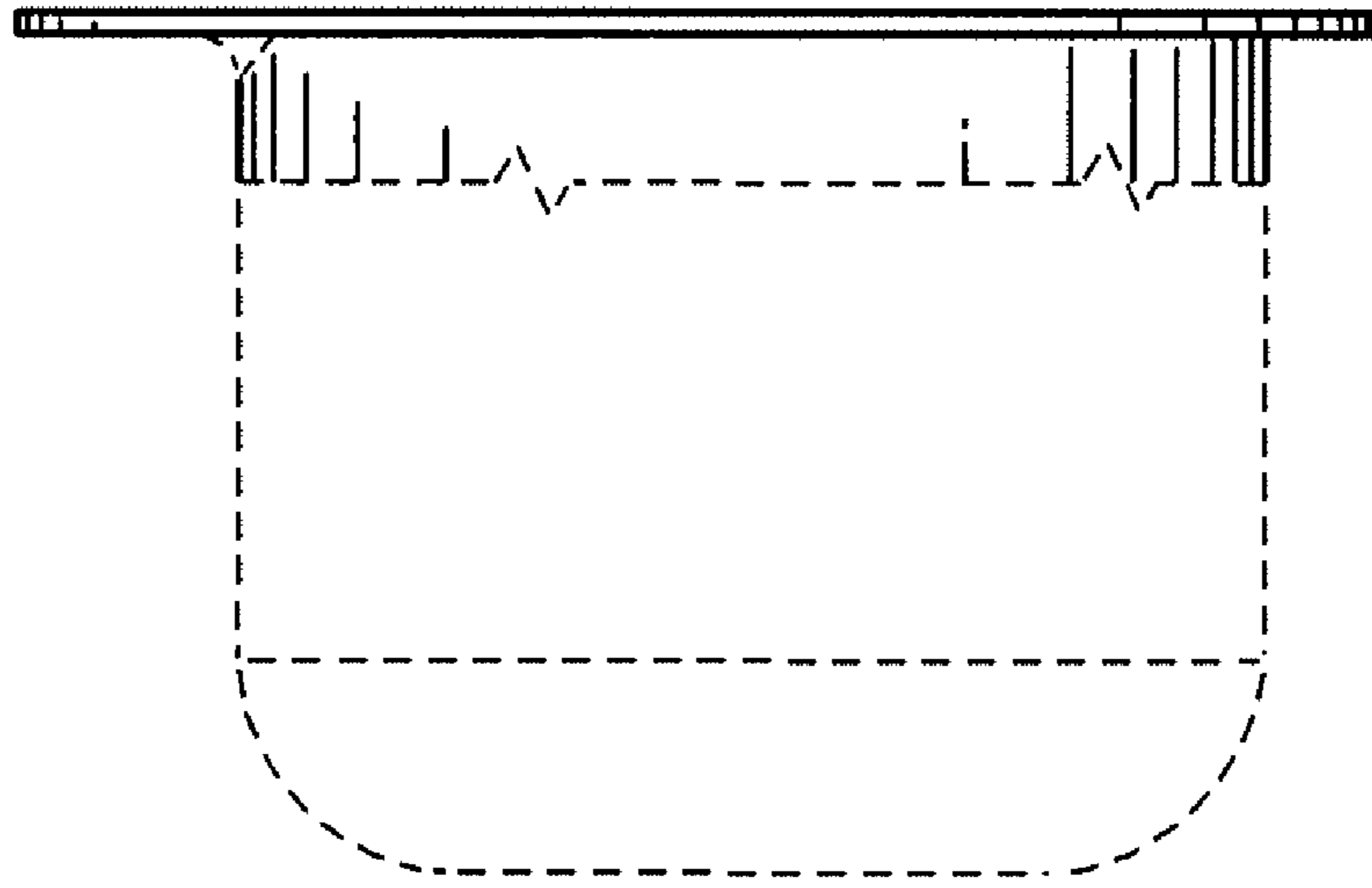


FIG. 3

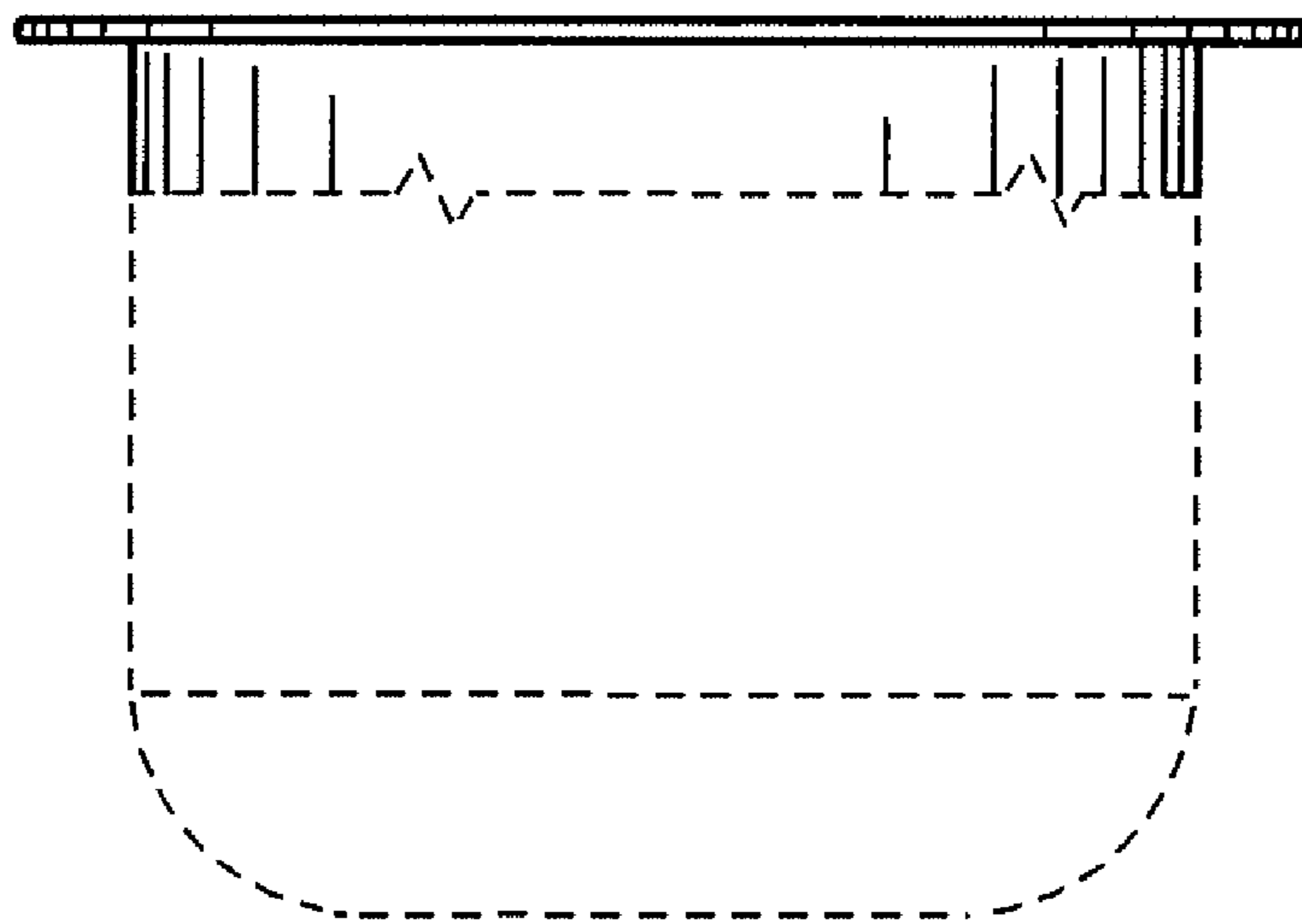


FIG. 4

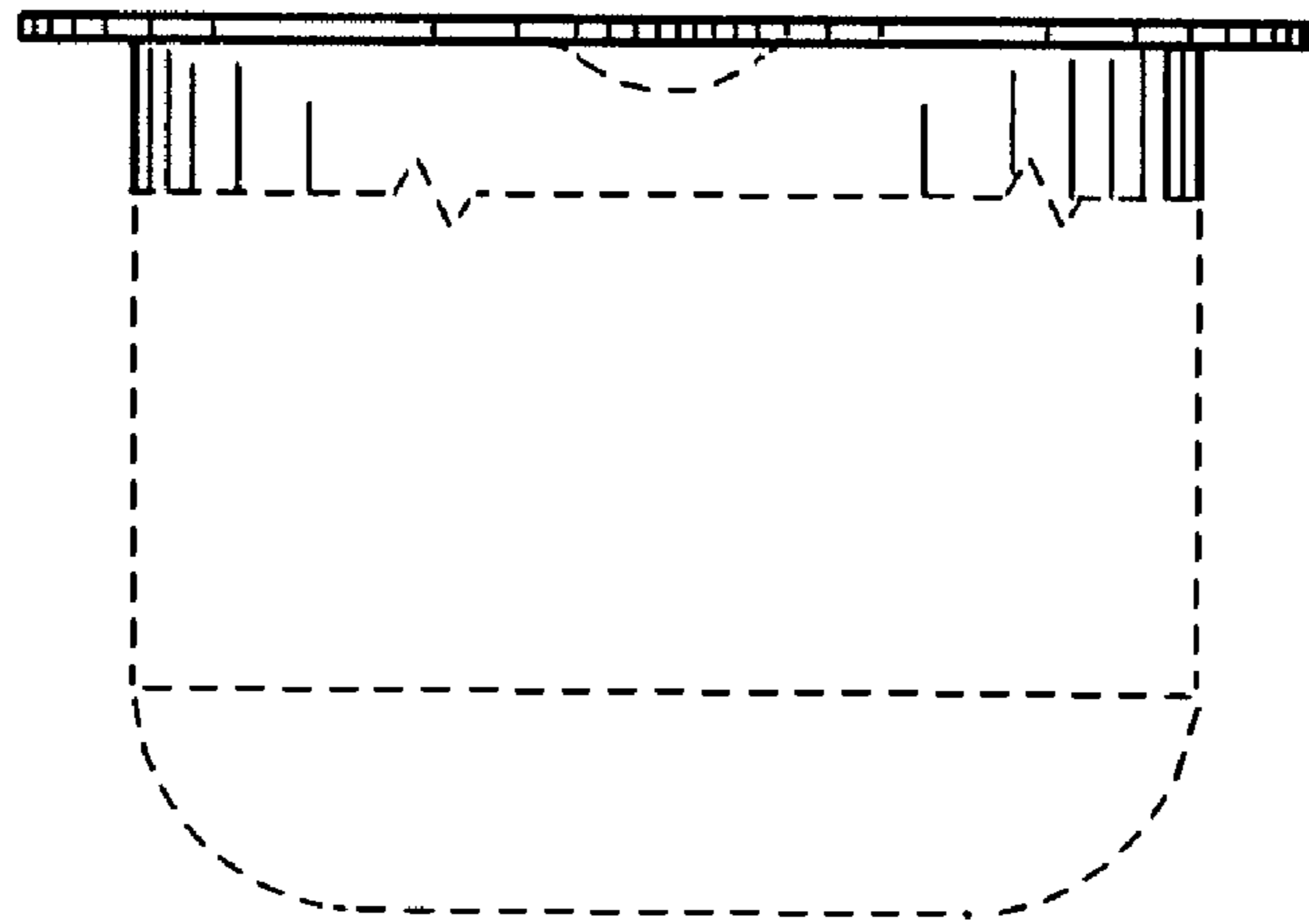


FIG. 5

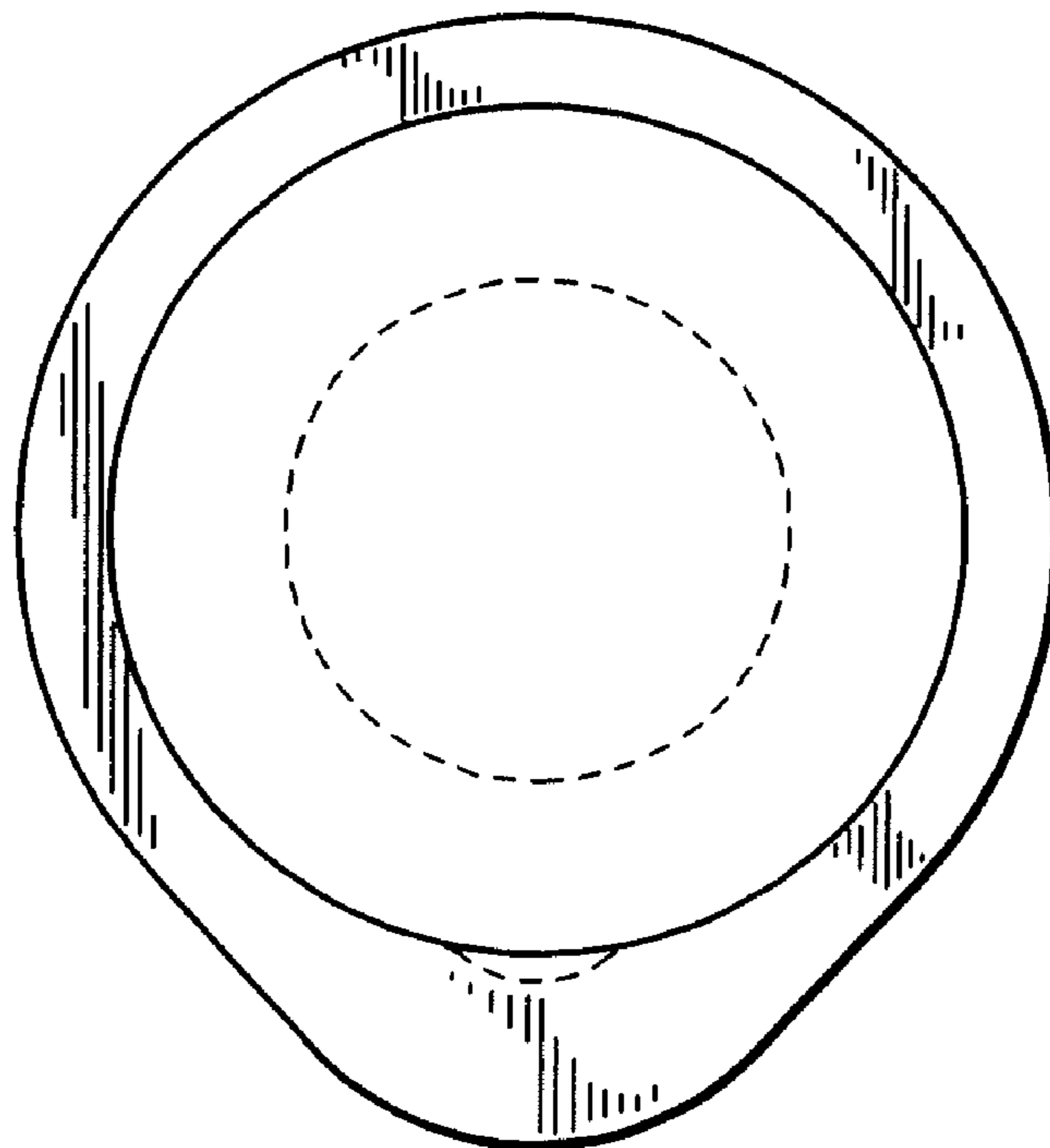


FIG. 6

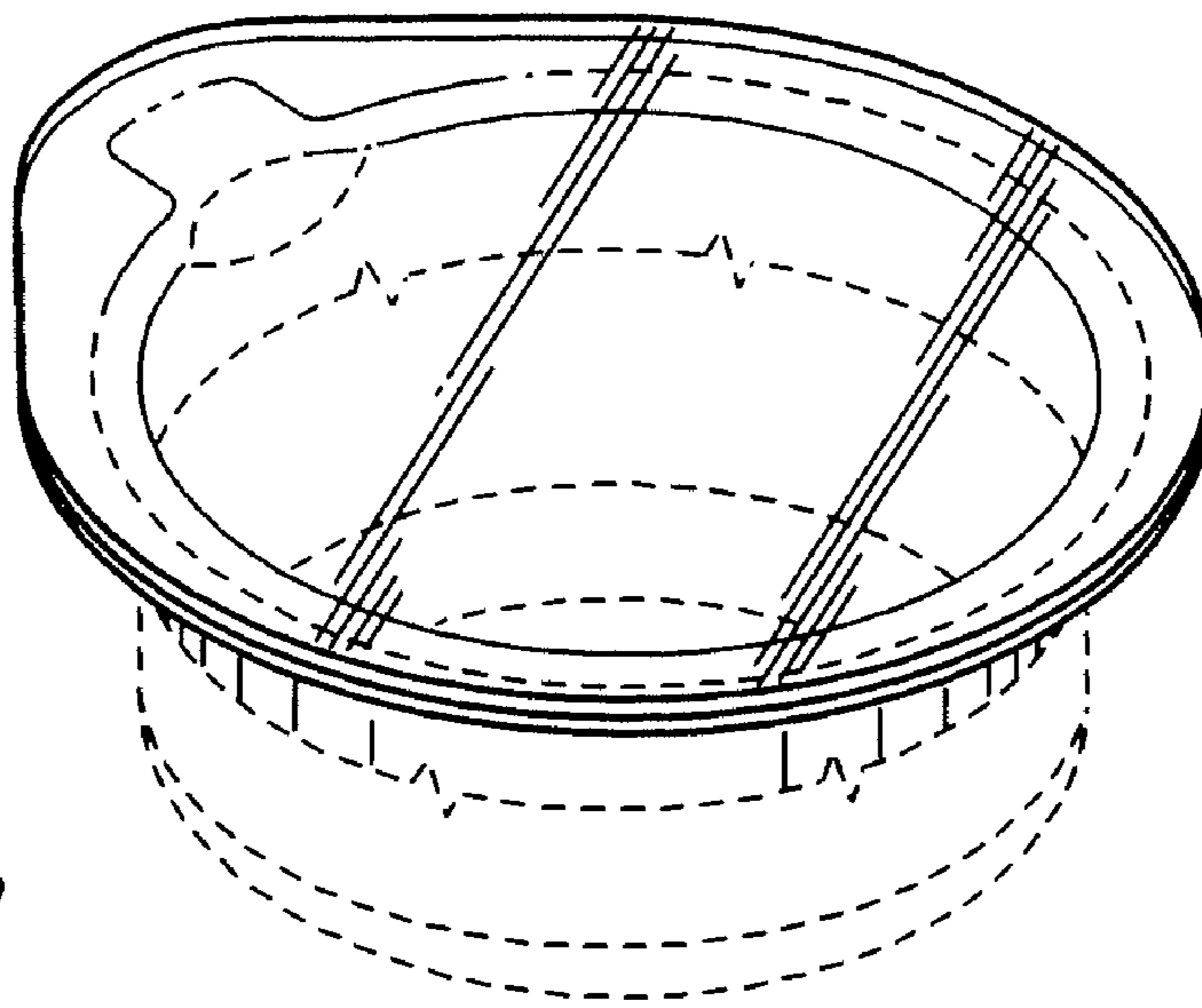


FIG. 7

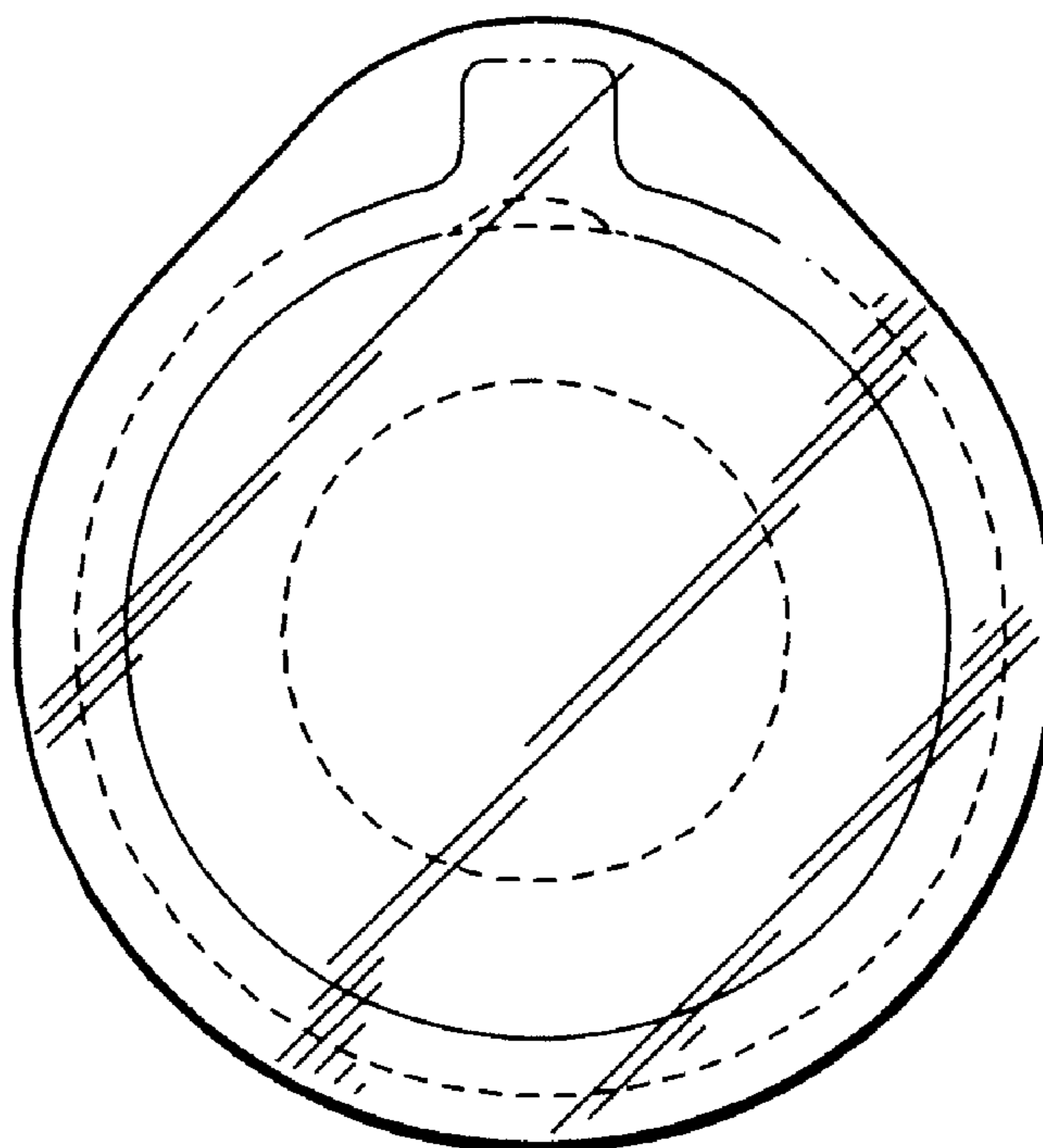


FIG. 8

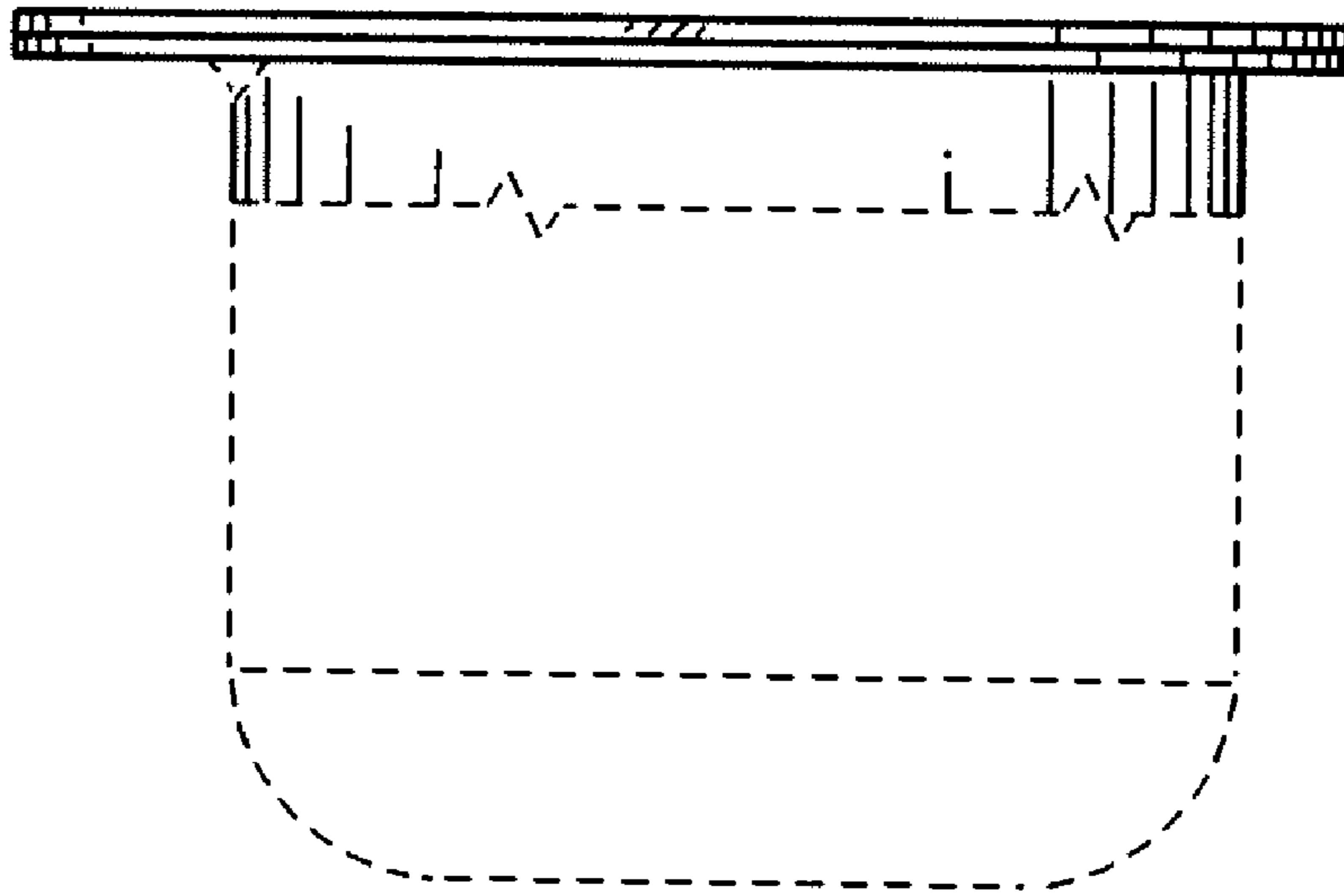


FIG. 9

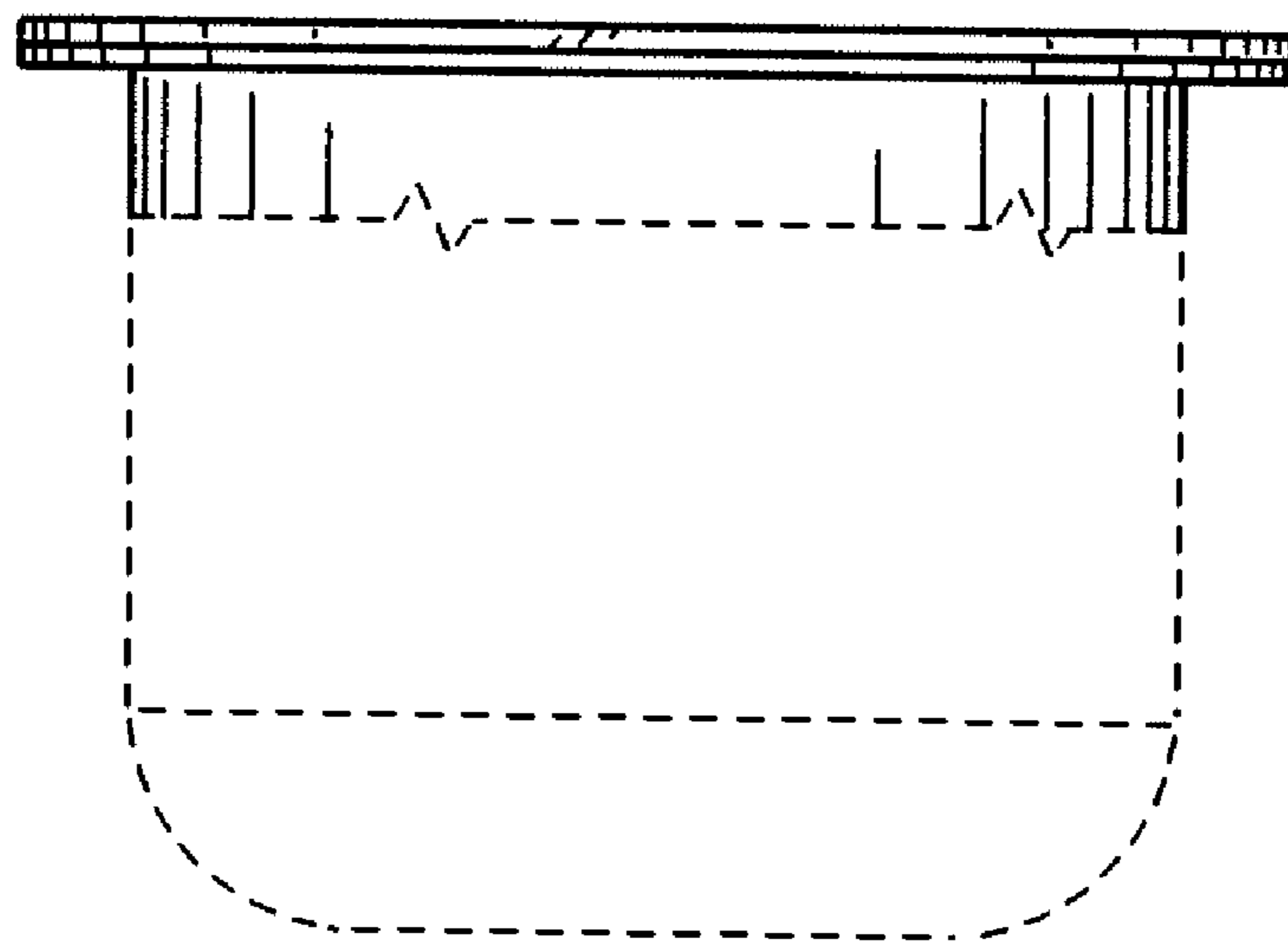


FIG. 10

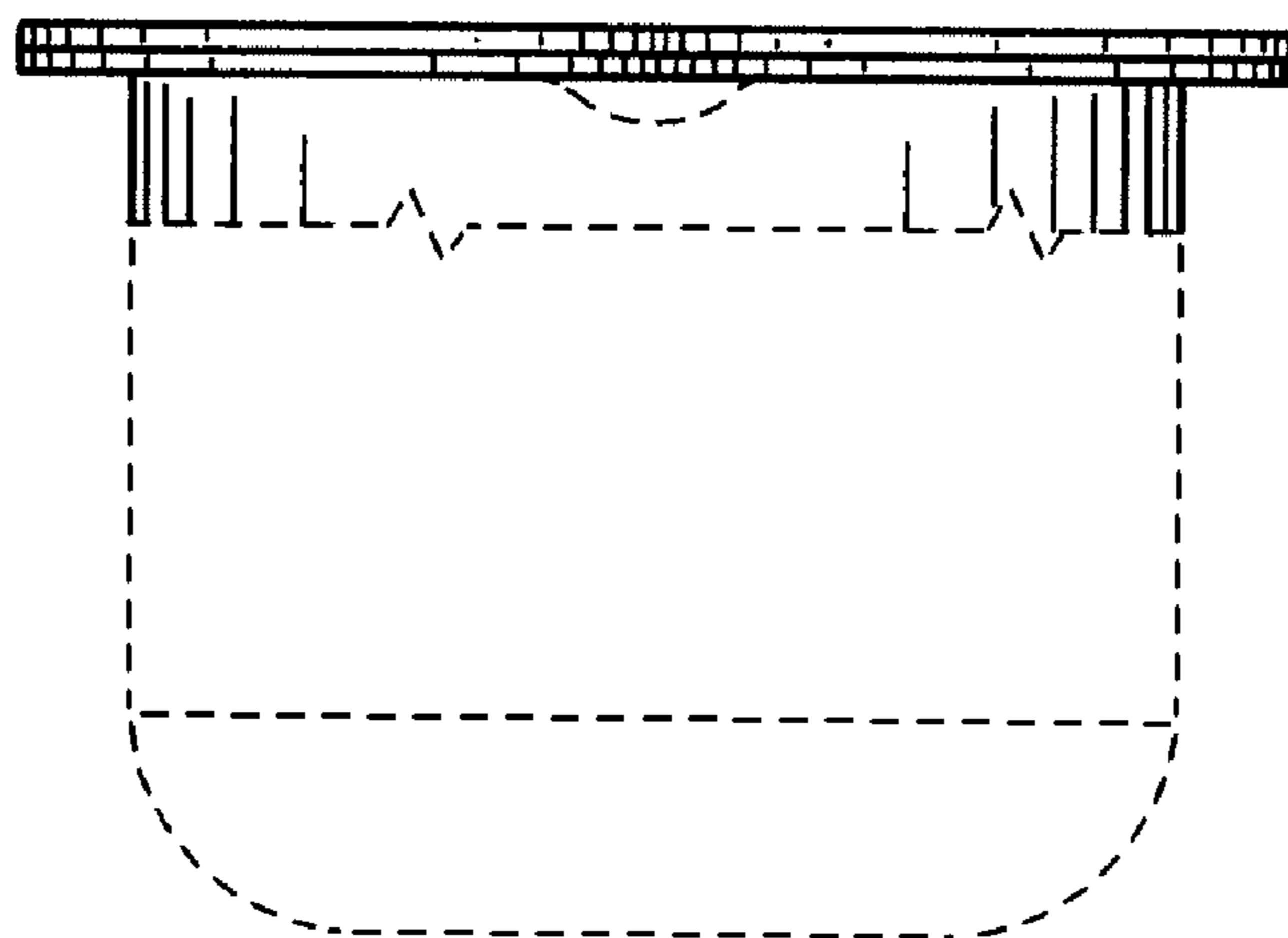


FIG. 11

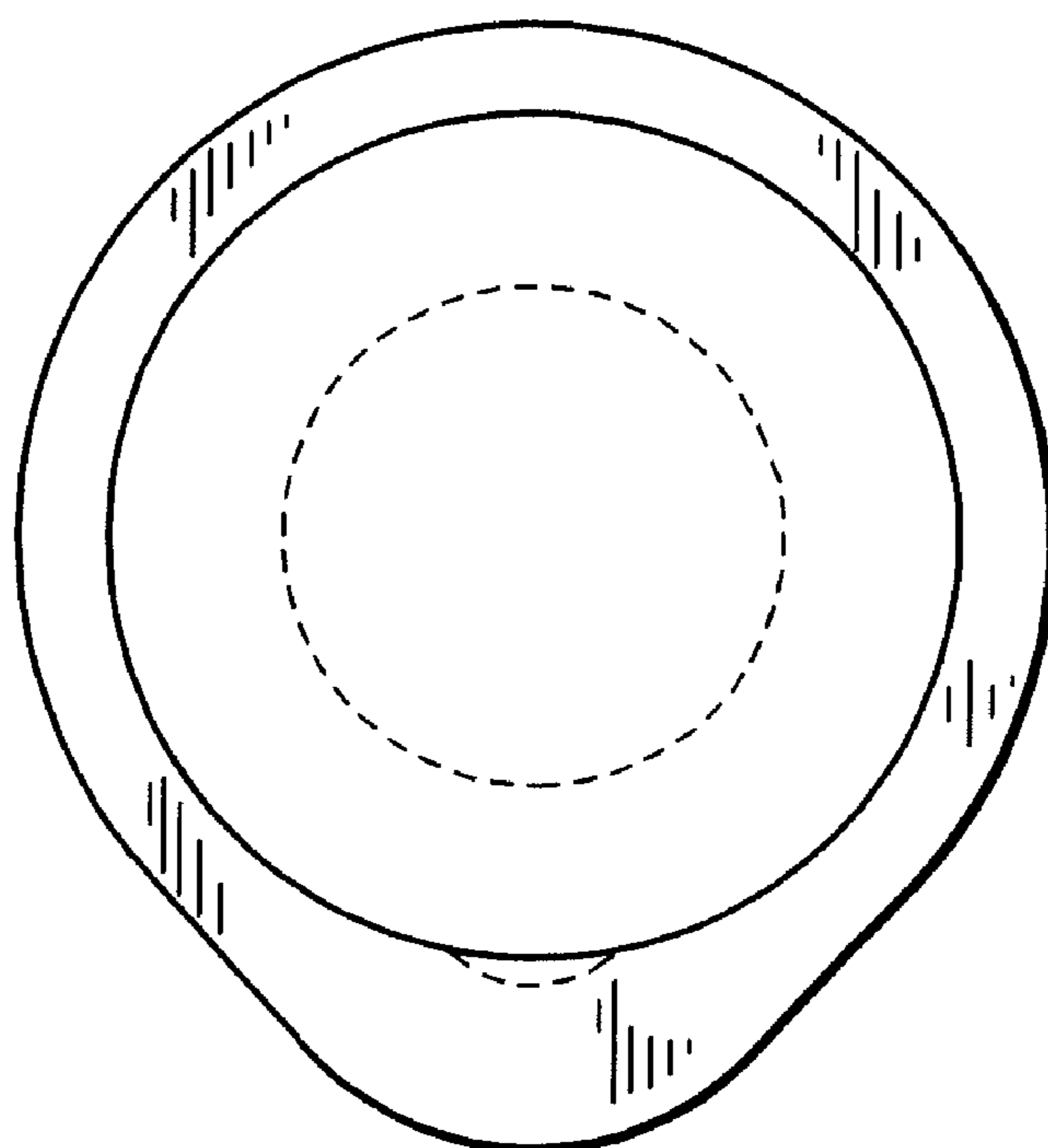


FIG. 12