



US00D591148S

(12) **United States Design Patent**  
**Parikh et al.**

(10) **Patent No.:** **US D591,148 S**

(45) **Date of Patent:** **\*\* Apr. 28, 2009**

(54) **CONTAINER**

D554,498 S \* 11/2007 Lovett ..... D9/425  
D573,411 S \* 7/2008 Lovett ..... D7/554.3

(75) Inventors: **Samir R. Parikh**, Brampton (CA);  
**Sajith Chenat**, Brampton (CA)

\* cited by examiner

(73) Assignee: **Par-Pak Ltd.**, Brampton (CA)

*Primary Examiner*—Robert M Spear  
*Assistant Examiner*—Susan E Krakower

(\*\*) Term: **14 Years**

(74) *Attorney, Agent, or Firm*—Bereskin & Parr

(21) Appl. No.: **29/322,678**

(57) **CLAIM**

(22) Filed: **Aug. 8, 2008**

The ornamental design for a container, as described and shown.

(51) **LOC (9) Cl.** ..... **09-03**

(52) **U.S. Cl.** ..... **D9/425; D7/629**

(58) **Field of Classification Search** ..... D9/414–418,  
D9/420–426, 430–432, 761, 737, 757; D7/357–360,  
D7/629, 602, 412, 542, 553.1–553.8, 538,  
D7/543–545, 557, 564–565, 584–587, 591,  
D7/615; 206/315.9, 467, 485, 521.1, 539,  
206/564, 541, 546, 588, 766, 779; 220/23.8,  
220/23.83, 281, 315, 324, 326, 367, 523,  
220/556, 574, 675, 4.21, 4.23, 782, 835,  
220/839; 229/406, 902–904, 906, 407, 110;  
D6/470, 397, 441

**DESCRIPTION**

See application file for complete search history.

FIG. 1 is an upper perspective view of a container of the present design with a base and lid portion shown in a fully closed position;

FIG. 2 is a side view of the container of FIG. 1;

FIG. 3 is a top of the container of FIG. 1;

FIG. 4 is a bottom view of the container of FIG. 1;

FIG. 5 is an upper perspective view of the container of FIG. 1 with the base and lid shown in a separated in a fully open position for clarity of disclosure;

FIG. 6 is an upper perspective view of the base portion of the container of FIG. 1 shown separated for clarity of disclosure;

FIG. 7 is a side view of the base portion of FIG. 6;

FIG. 8 is a top view of the base portion of FIG. 6;

FIG. 9 is a bottom view of the base portion of FIG. 6;

FIG. 10 is an upper perspective view of the lid portion of the container of FIG. 1 shown separated for clarity of disclosure;

FIG. 11 is a side view of the lid portion of FIG. 10;

FIG. 12 is a top view of the lid portion of FIG. 10; and,

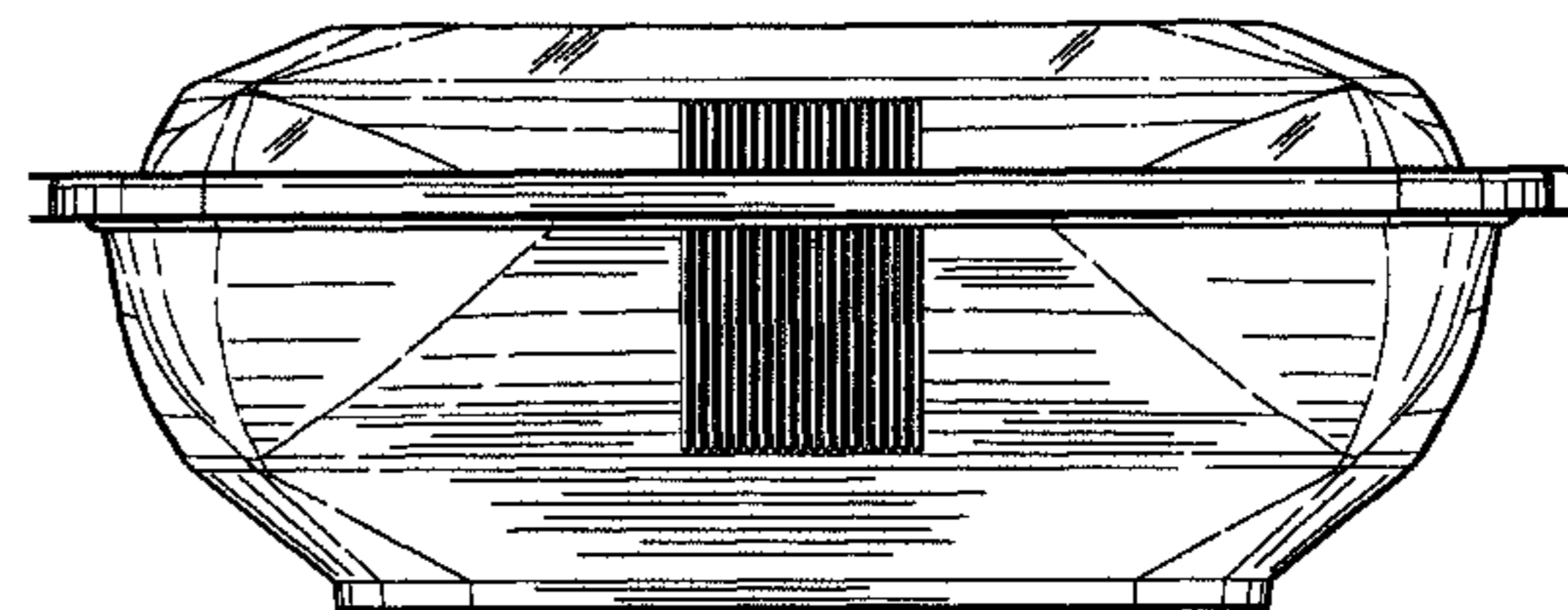
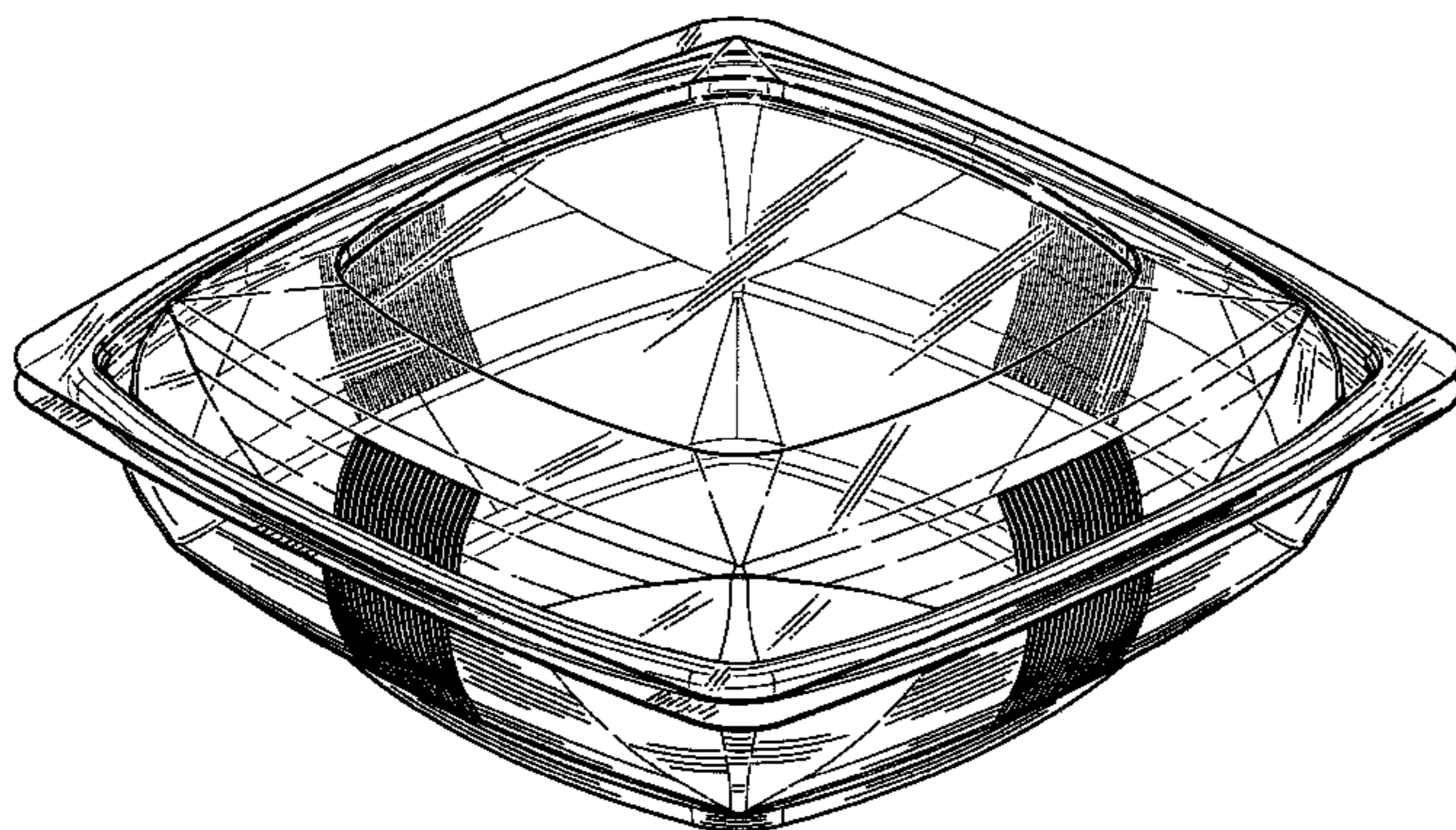
FIG. 13 is a bottom view of the lid portion of FIG. 10.

(56) **References Cited**

U.S. PATENT DOCUMENTS

D150,045 S	*	6/1948	Zaikaner	.....	D7/629
D215,413 S	*	9/1969	Donovan	.....	D9/425
D320,743 S	*	10/1991	Alexander et al.	.....	D9/425
D355,814 S	*	2/1995	VanValkenburg et al.	....	D7/629
D388,325 S	*	12/1997	Tucker et al.	.....	D9/425
D448,991 S	*	10/2001	Zettle et al.	.....	D9/425
D475,620 S	*	6/2003	Chen et al.	.....	D9/425
D485,473 S	*	1/2004	Dais et al.	.....	D7/629
D527,956 S	*	9/2006	Doliwa	.....	D7/629
D539,100 S	*	3/2007	Zhao	.....	D7/629
D544,755 S	*	6/2007	Diesman	.....	D7/602

**1 Claim, 10 Drawing Sheets**



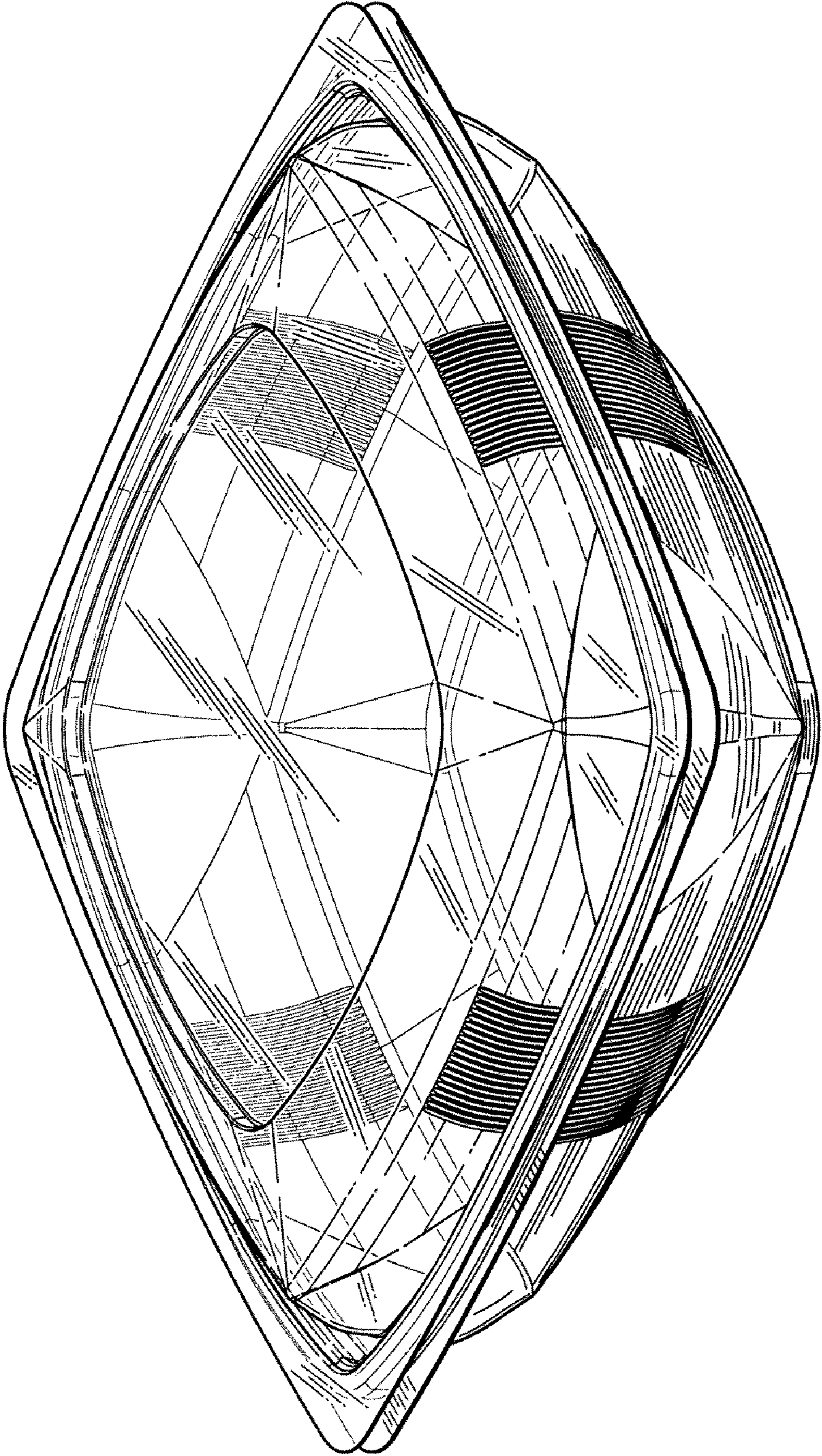
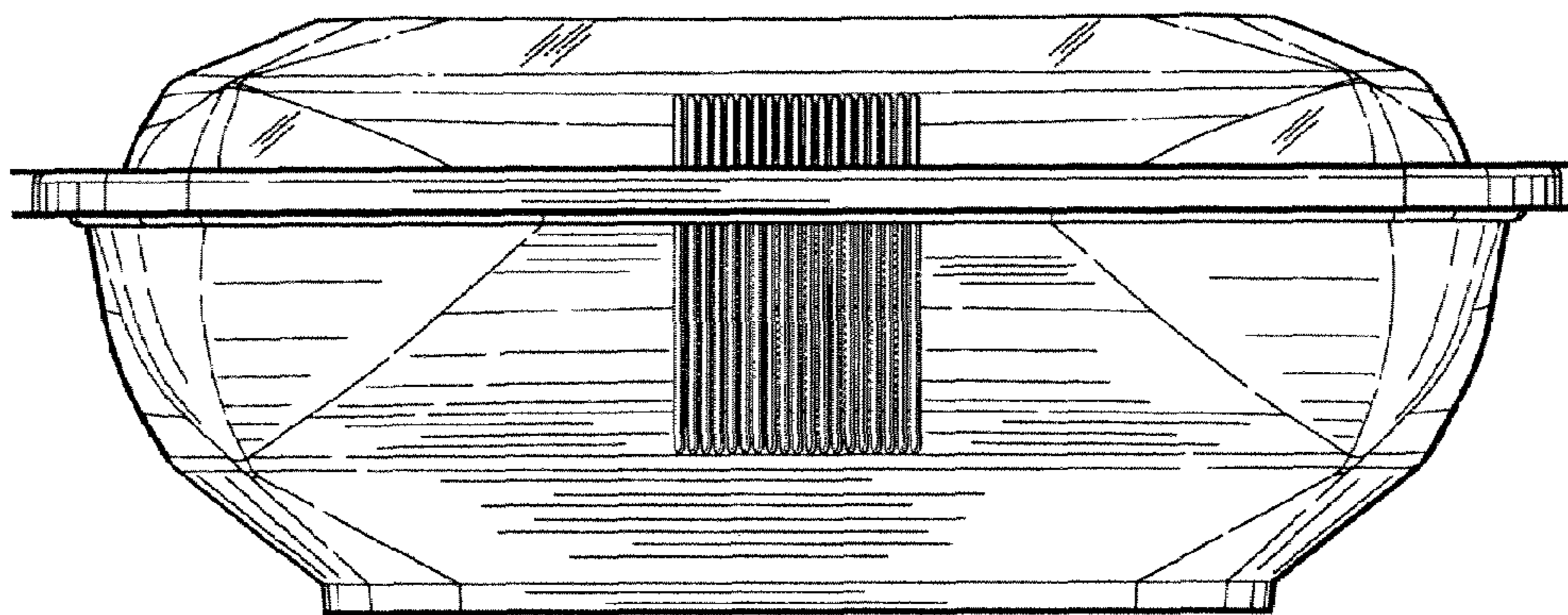
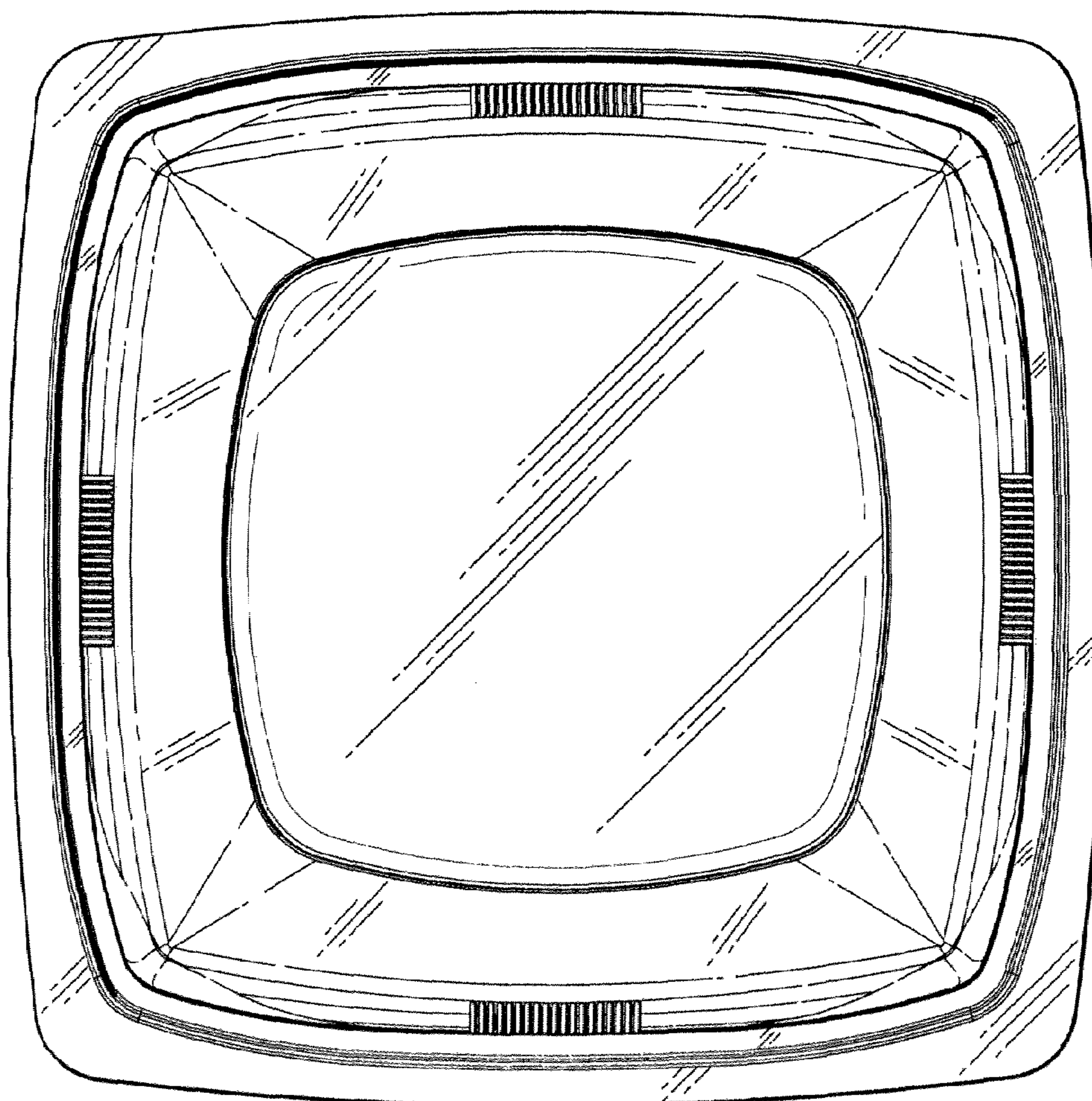


FIG. 1



**FIG. 2**



**FIG. 3**

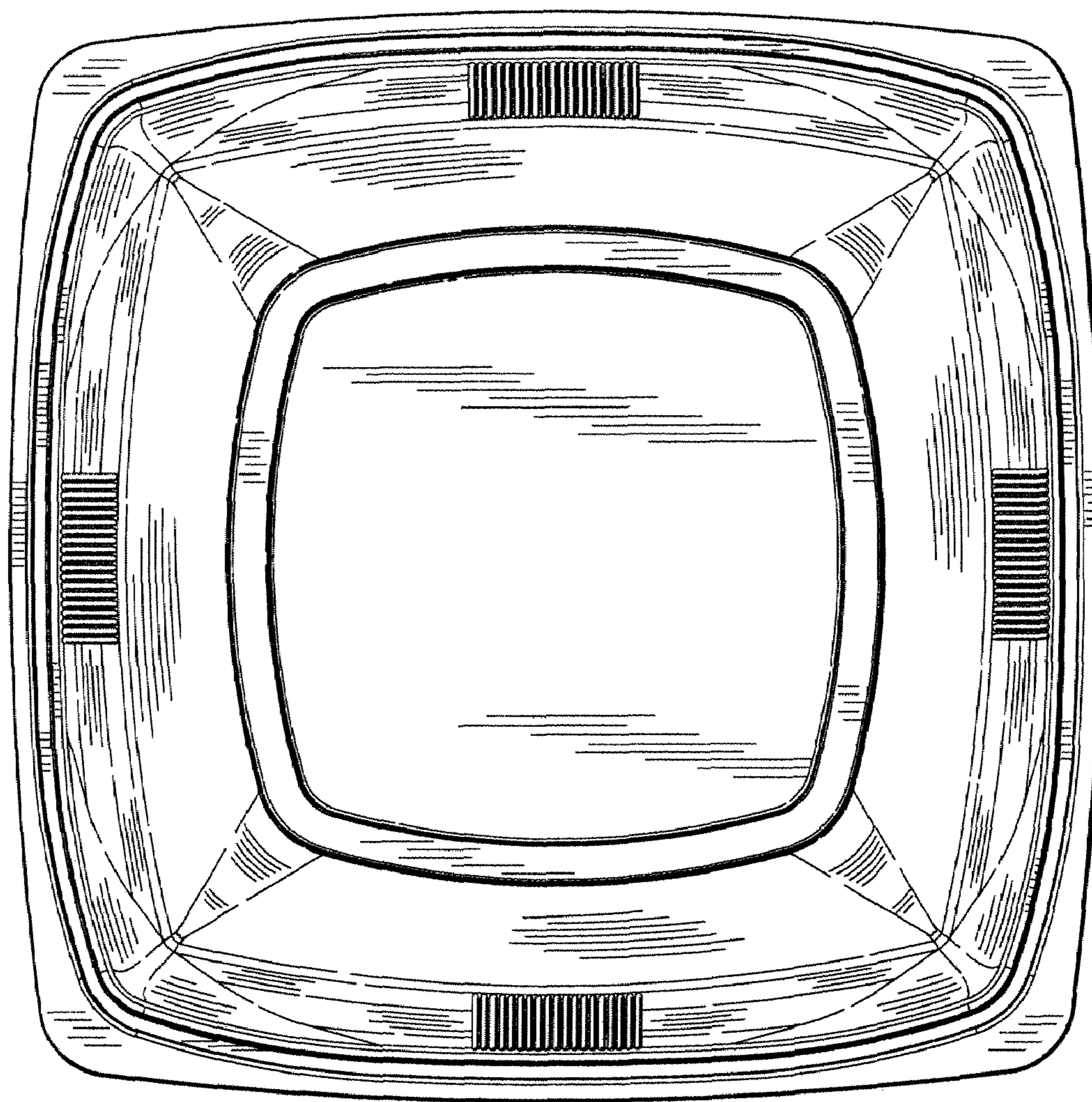
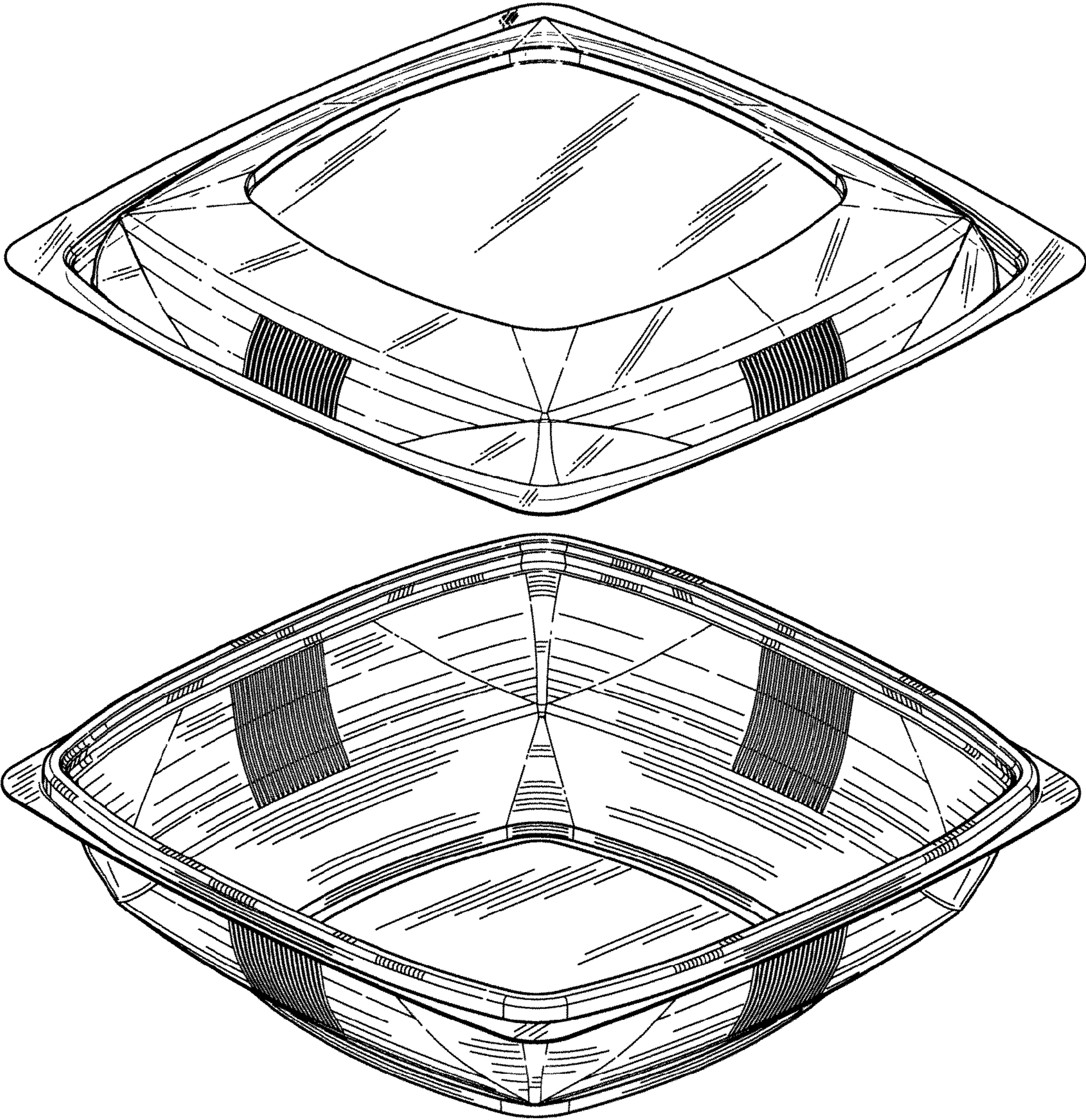
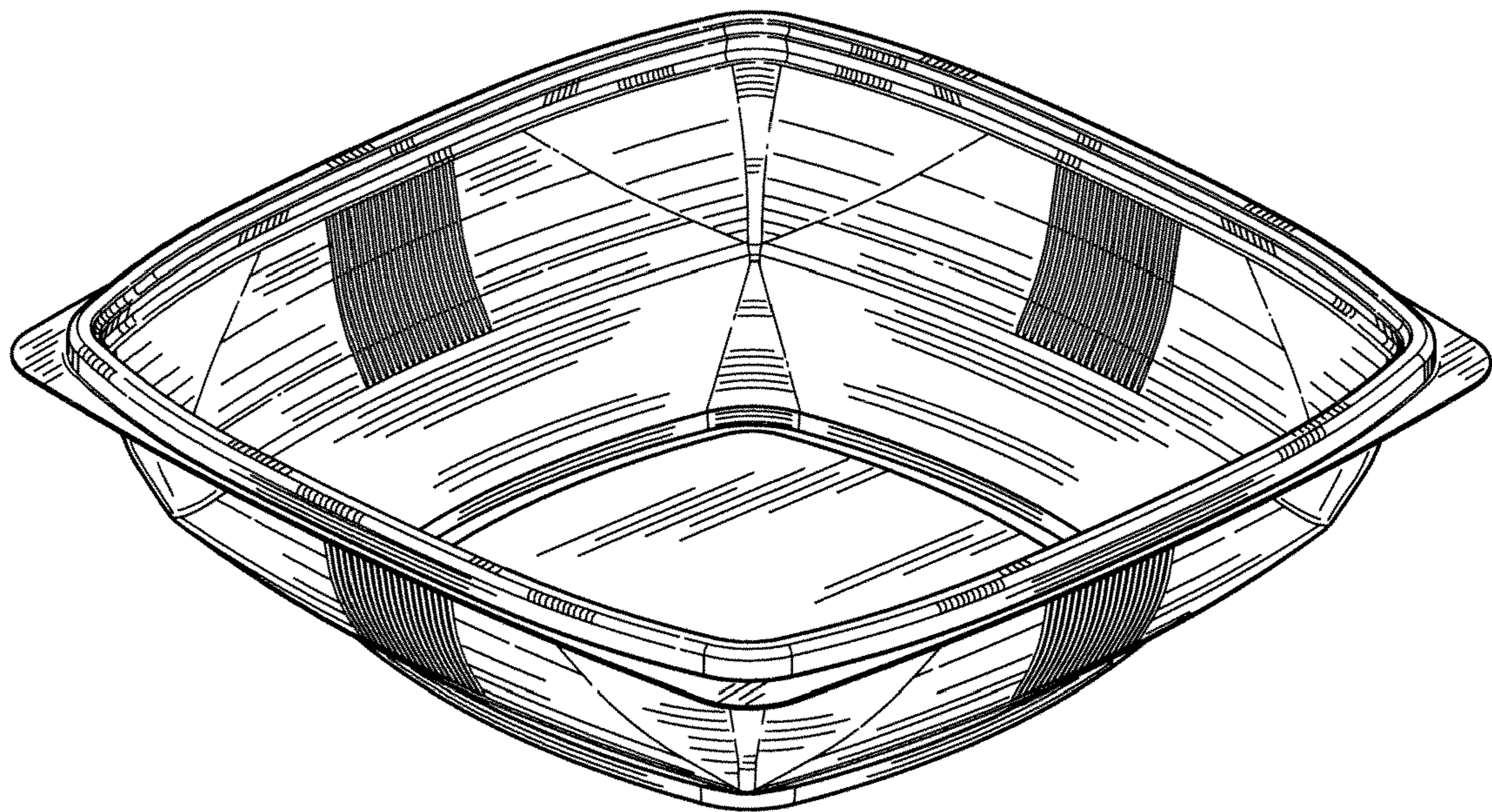


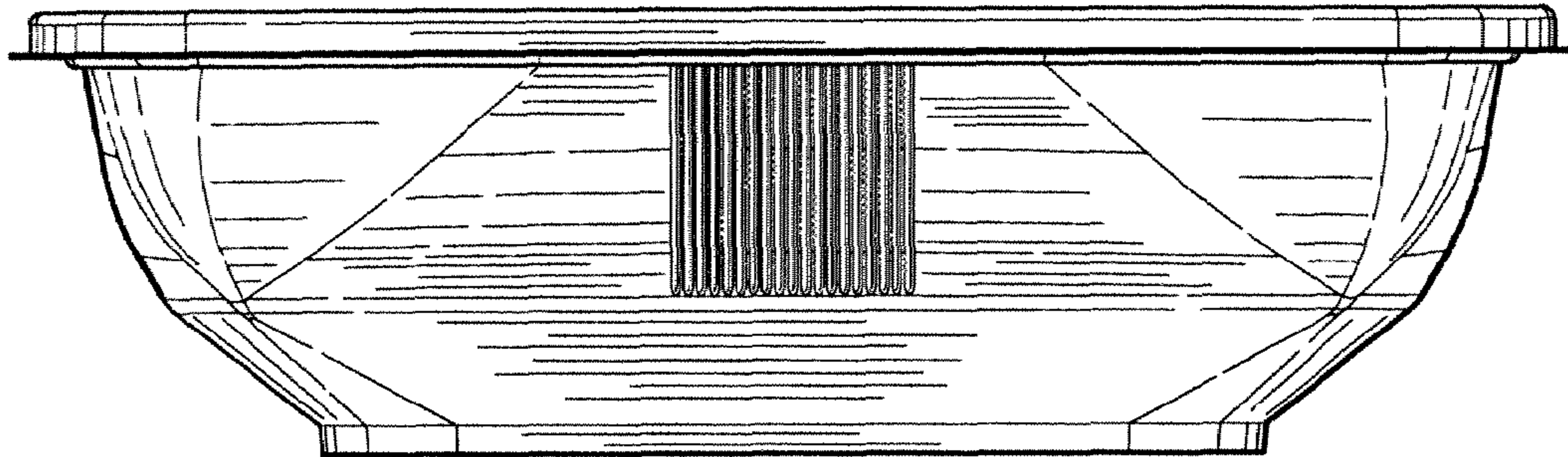
FIG. 4



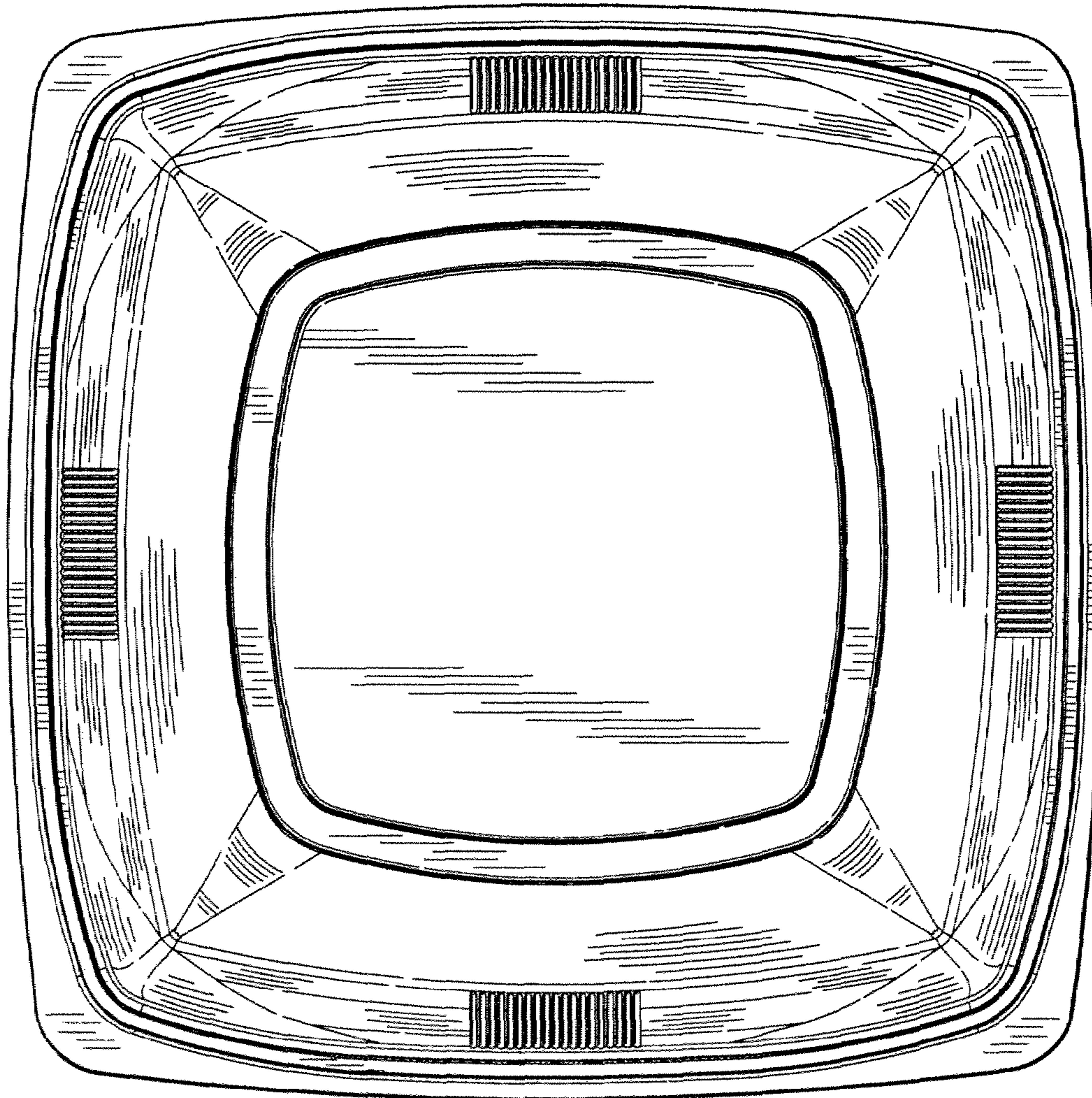
**FIG. 5**



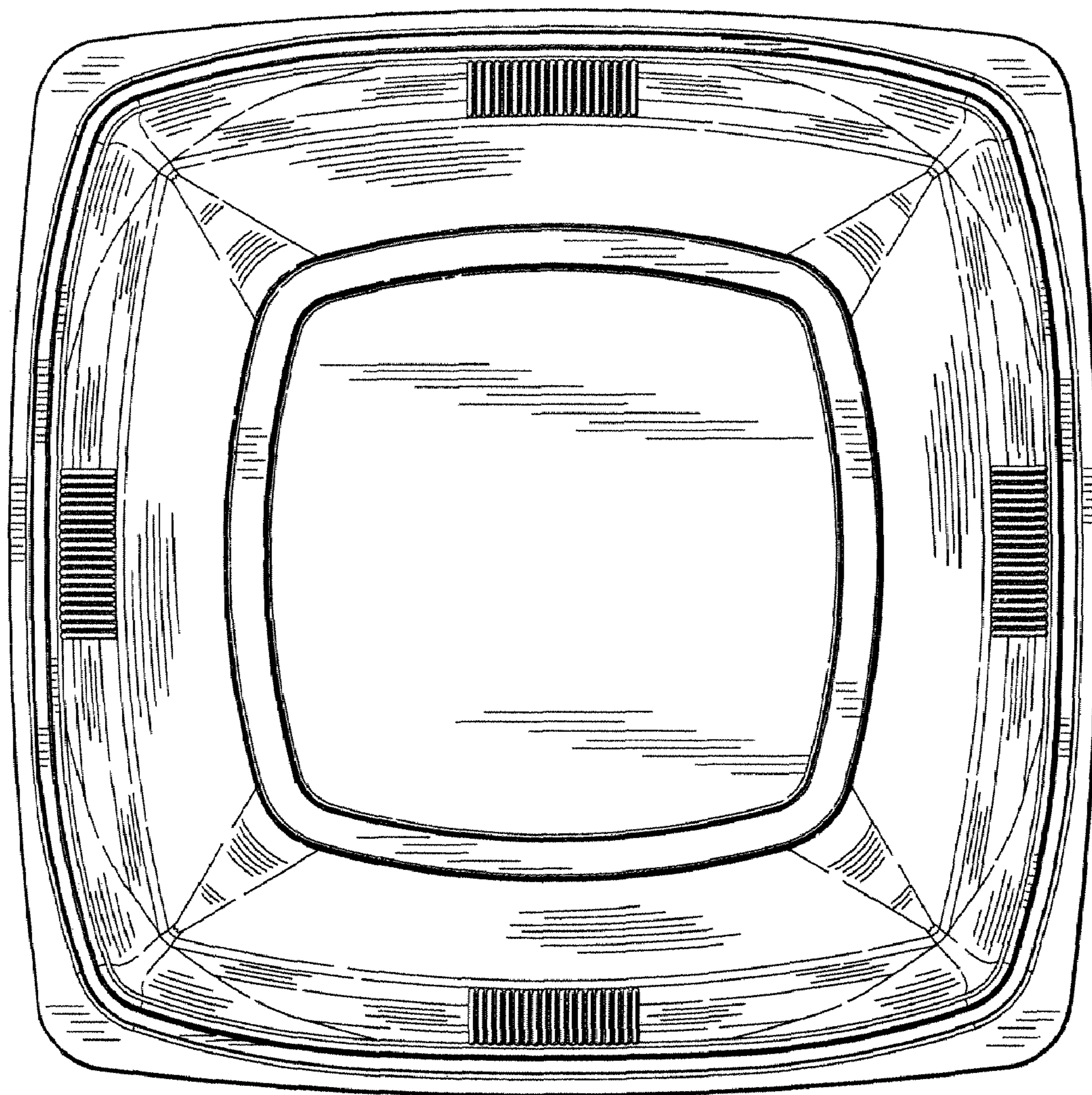
**FIG. 6**



**FIG. 7**

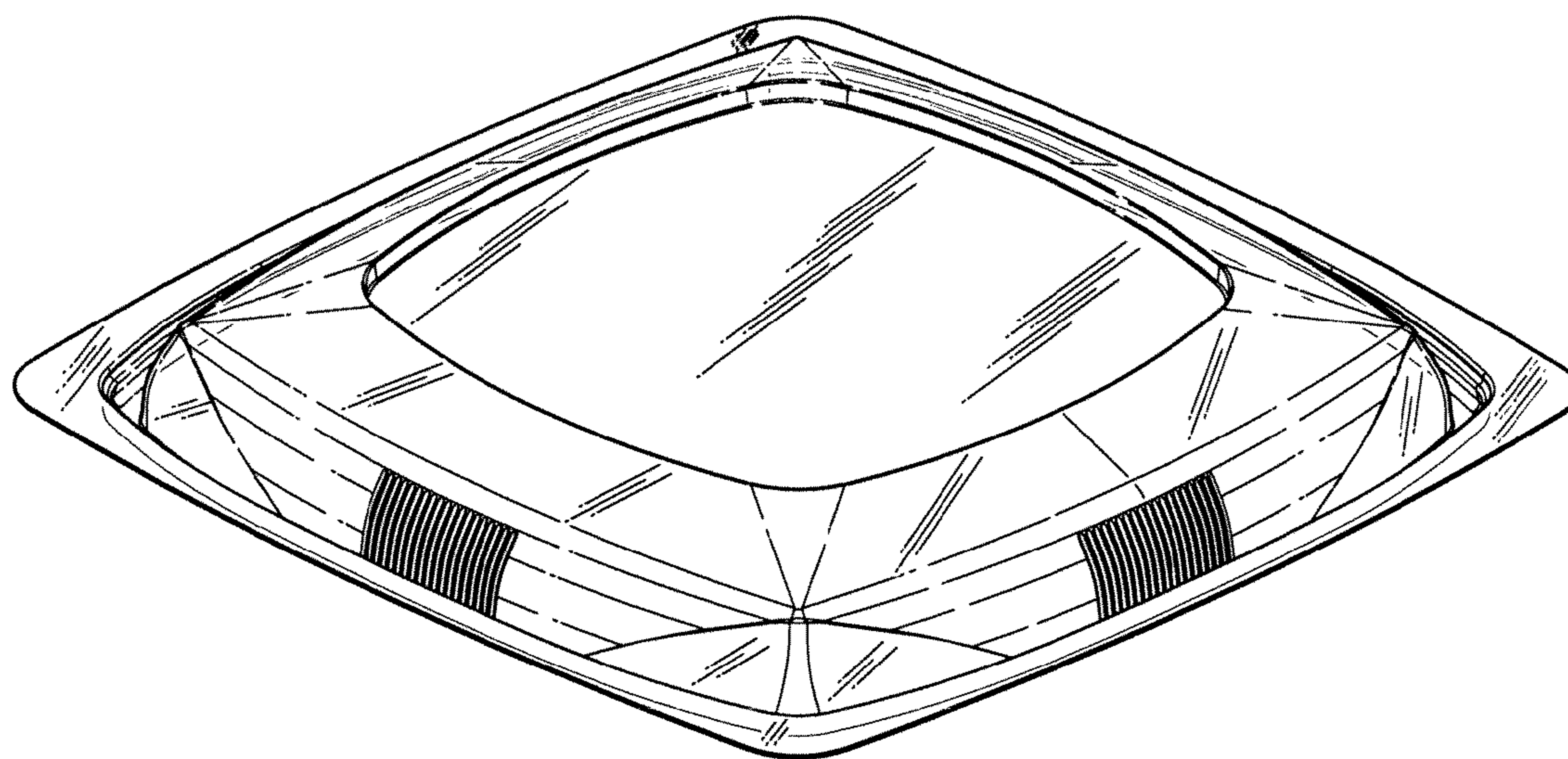


**FIG. 8**

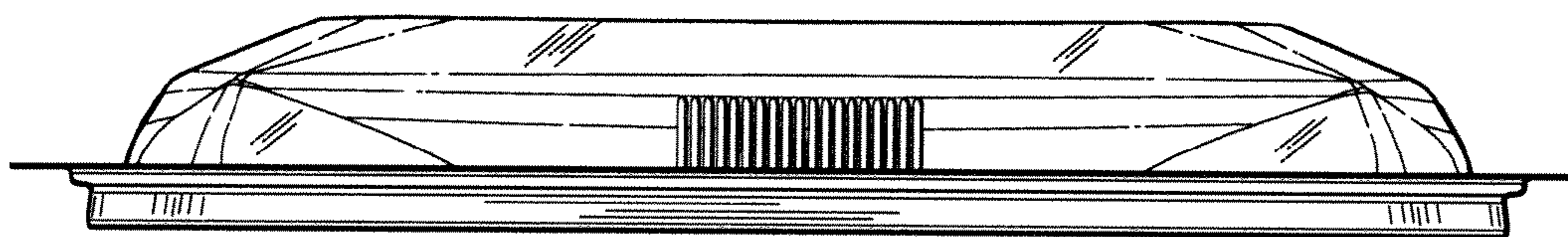


**FIG. 9**





**FIG. 10**



**FIG. 11**

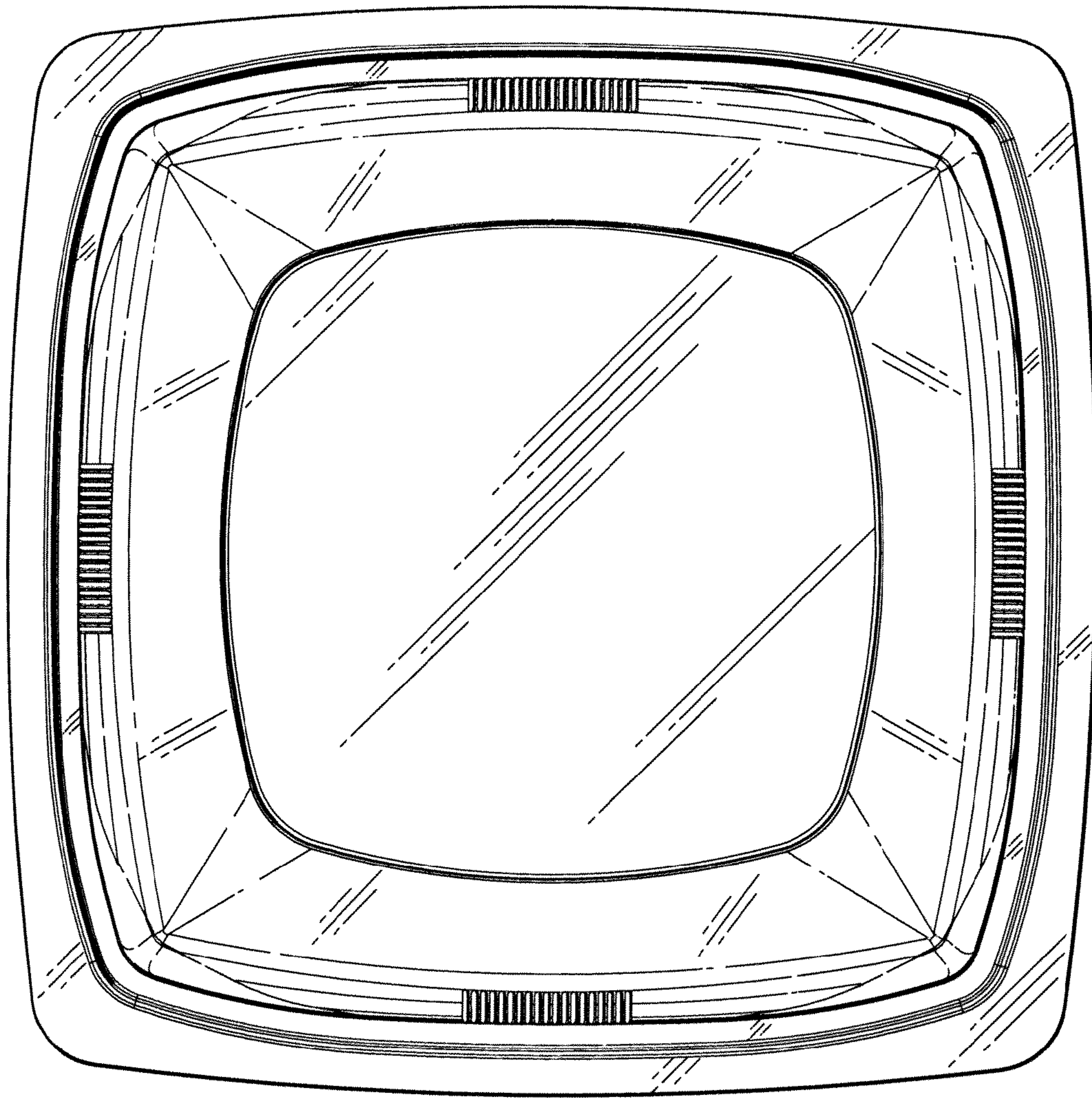


FIG. 12

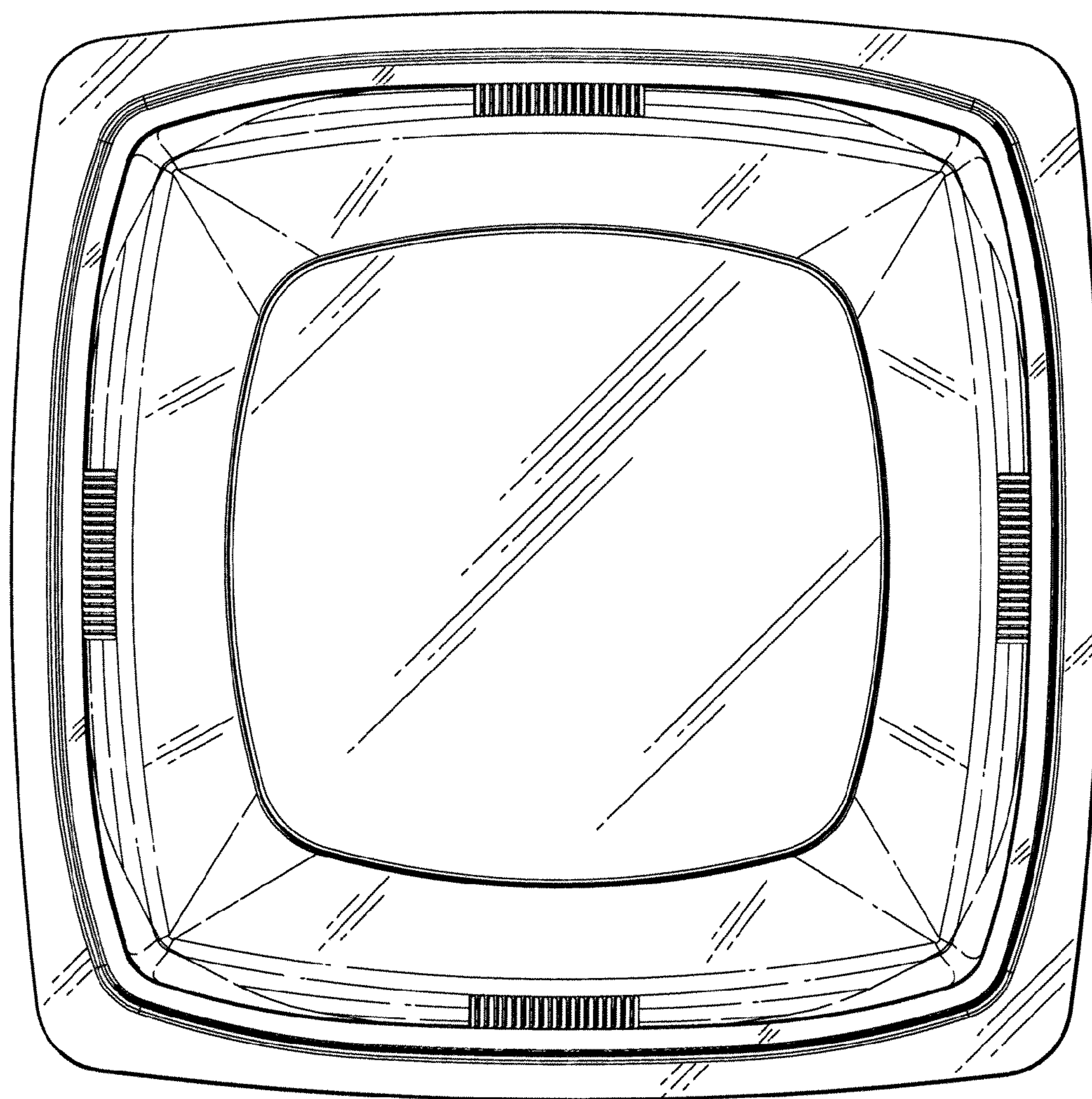


FIG. 13