



US00D591147S

(12) **United States Design Patent**
Lorenzati

(10) **Patent No.:** **US D591,147 S**
(45) **Date of Patent:** **** Apr. 28, 2009**

(54) **OVER-THE-DOOR DOOR STOP**

(75) Inventor: **Javier A. Lorenzati**, Barcelona (ES)

(73) Assignee: **Nixiface, A Series of the Invention Machine, LLC**, Glencoe, IL (US)

(**) Term: **14 Years**

(21) Appl. No.: **29/321,860**

(22) Filed: **Jul. 24, 2008**

(51) **LOC (9) Cl.** **08-09**

(52) **U.S. Cl.** **D8/402**

(58) **Field of Classification Search** D8/400,
D8/402, 499; D25/48; 160/181, 182, 379,
160/377, 110, 112, DIG. 8; 292/259 R
See application file for complete search history.

(56) **References Cited**

U.S. PATENT DOCUMENTS

1,197,769	A *	9/1916	Shane	16/86 A
1,336,527	A *	4/1920	Lewis et al.	16/86 A
2,120,692	A *	6/1938	Butts	292/343
D131,979	S *	4/1942	Silverman	D8/367
D295,607	S *	5/1988	Rademacher et al.	D8/367
5,288,257	A *	2/1994	Zacherl	446/72
D461,704	S *	8/2002	Lelievre	D8/367

* cited by examiner

Primary Examiner—Cathron C Brooks

Assistant Examiner—Barbara Fox

(74) *Attorney, Agent, or Firm*—Levenfeld Pearlstein, LLC

(57) **CLAIM**

The ornamental design for an over-the-door door stop, as shown and described.

DESCRIPTION

FIG. 1 is a front perspective view of an over-the-door door stop, showing my new design;

FIG. 2 is a top view thereof;

FIG. 3 is a side view thereof;

FIG. 4 is a front view thereof, the rear view being a mirror image thereof;

FIG. 5 is a bottom thereof; and,

FIG. 6 is a perspective view of the over-the-door door stop shown on a door for illustrative purpose, the door shown in phantom lines and forming no part of the claimed design.

The over-the-door door stop is shown cut away along its length to indicate no specific length.

1 Claim, 2 Drawing Sheets

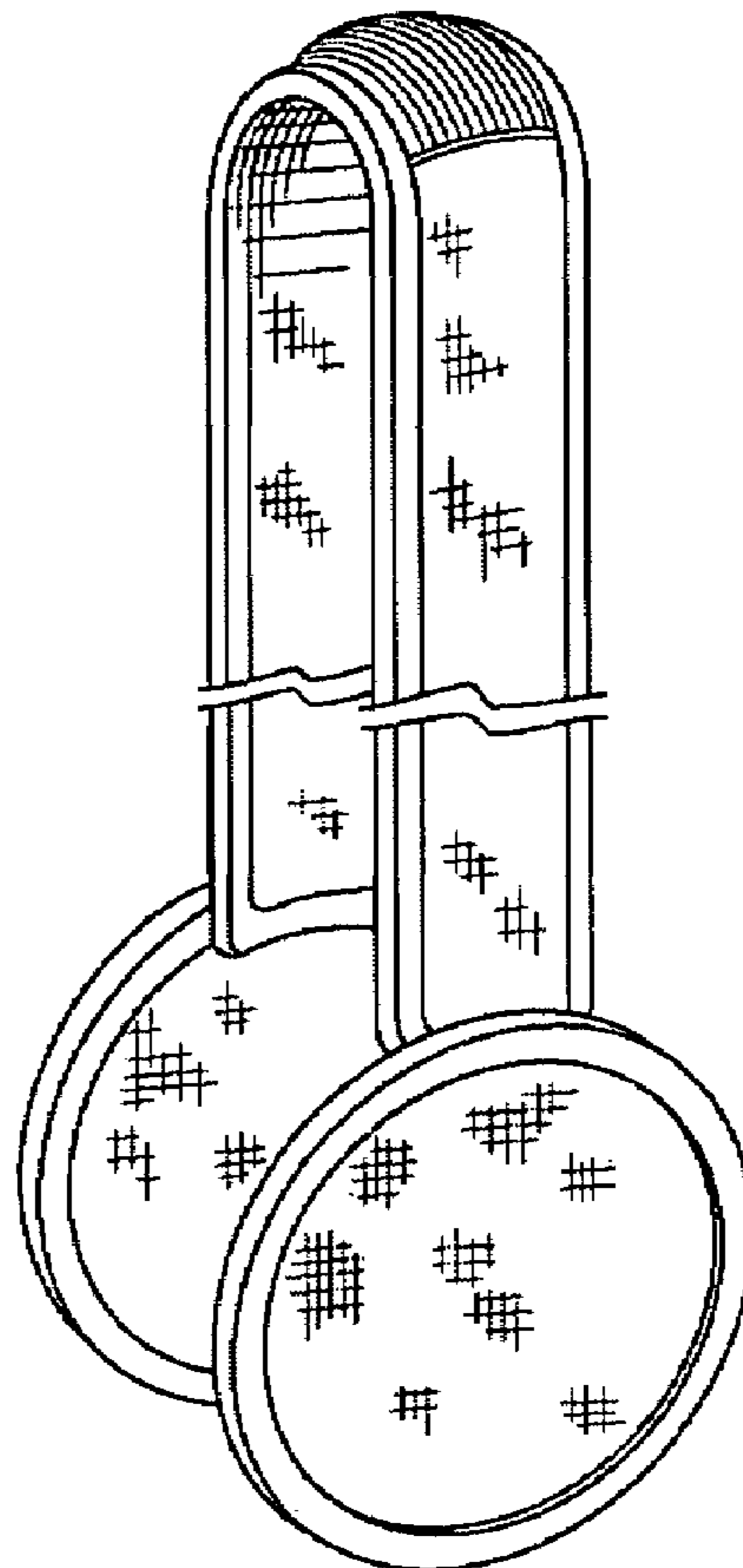


Fig. 1

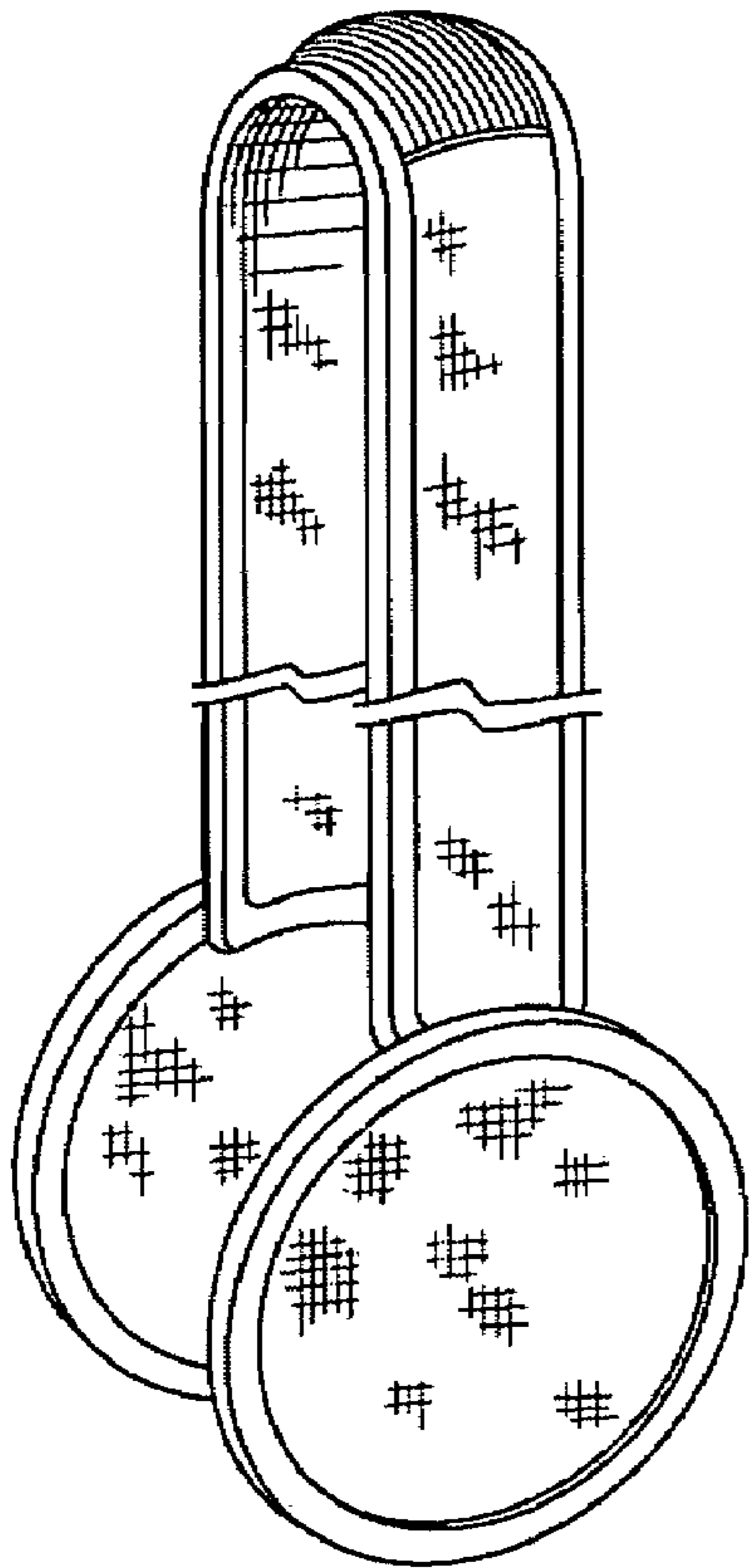


Fig. 2

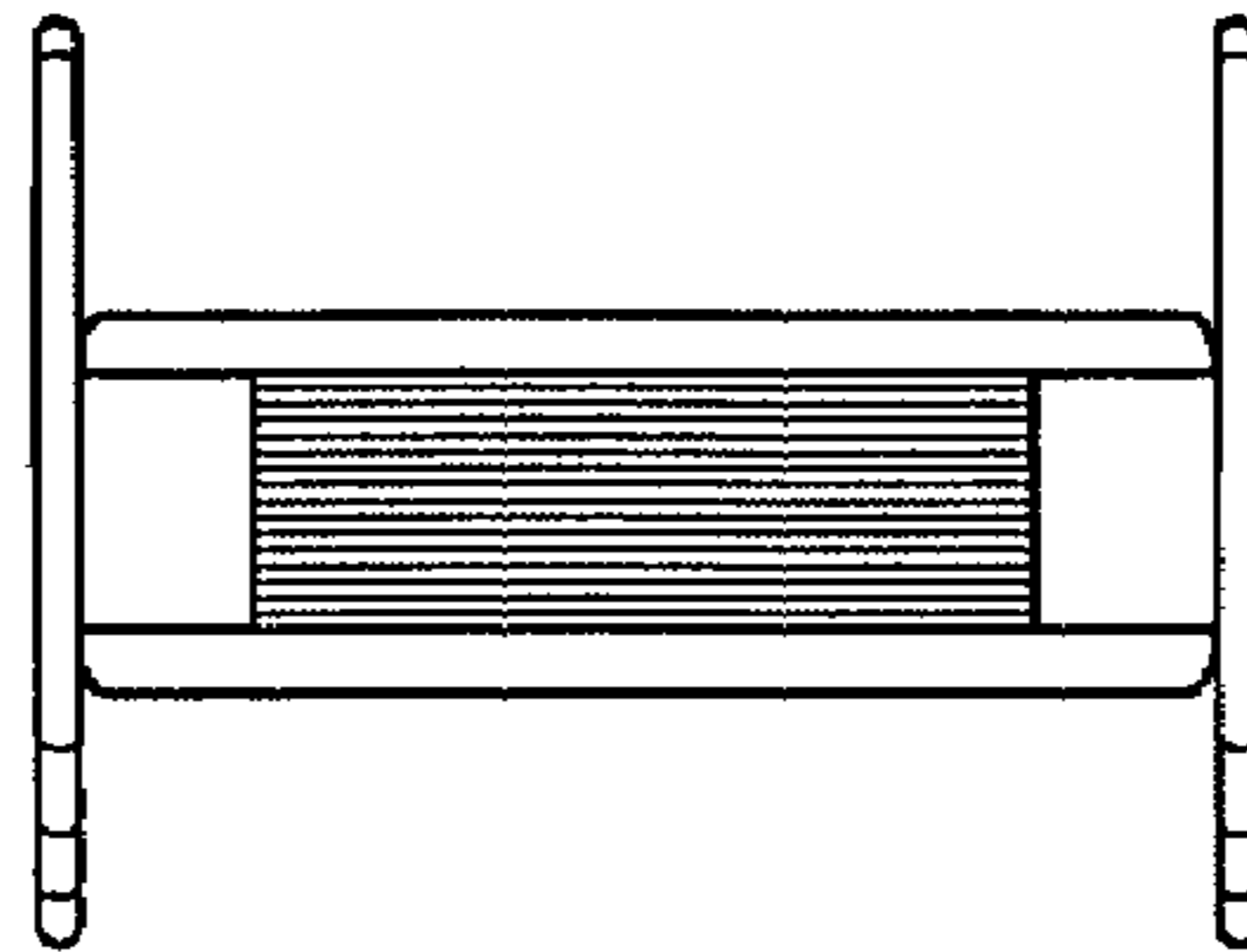


Fig. 3

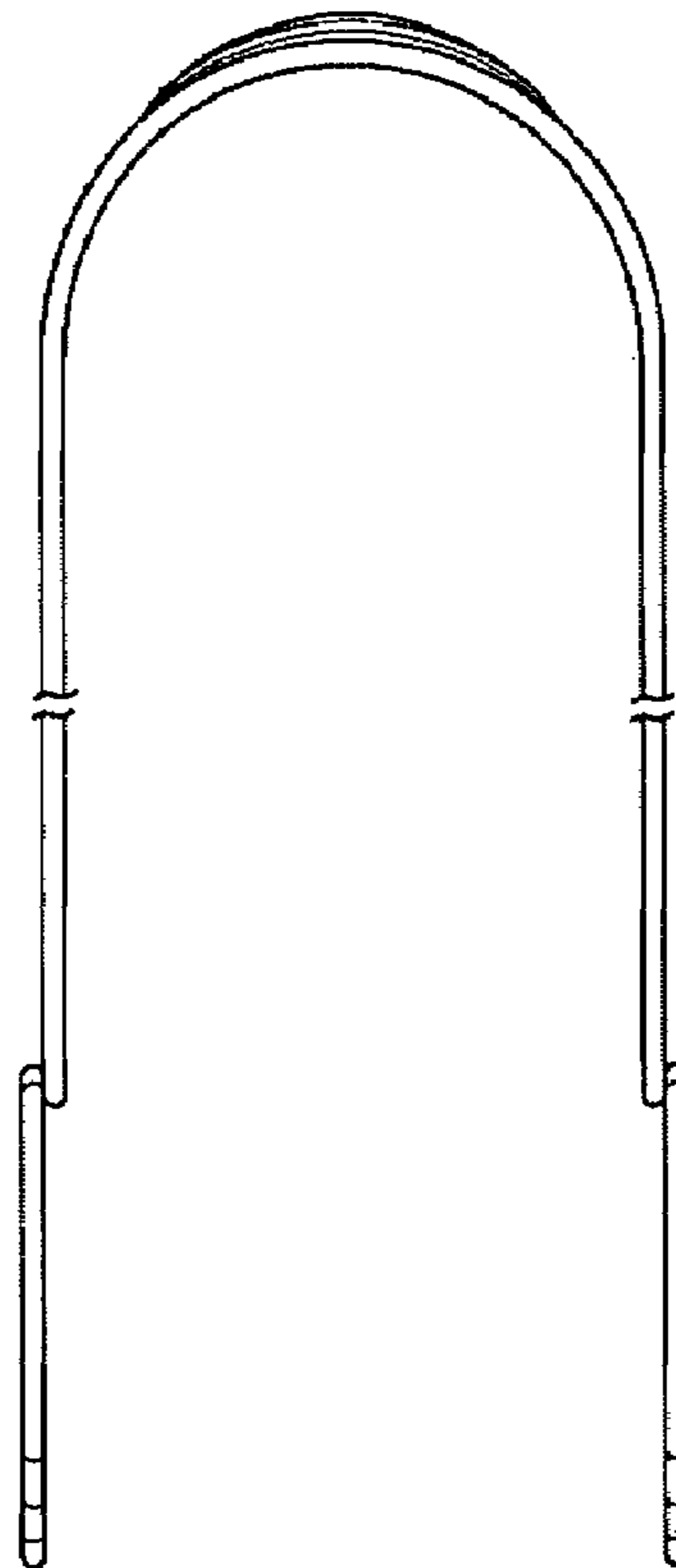


Fig. 4

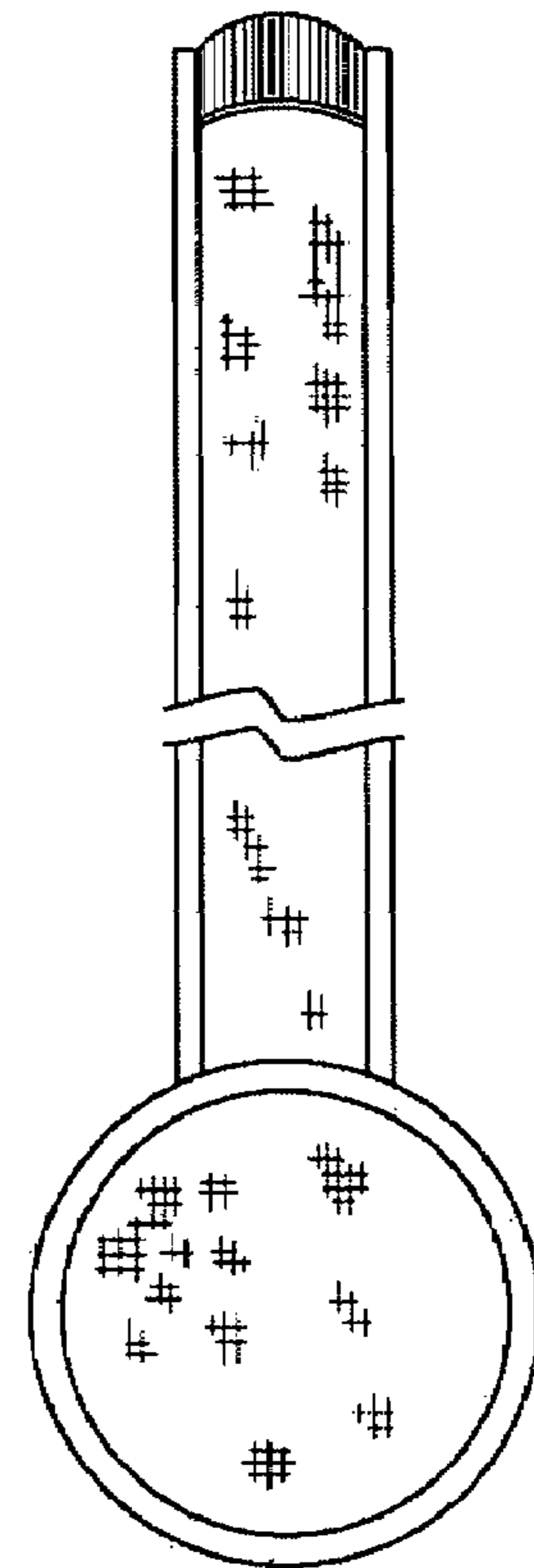


Fig. 5

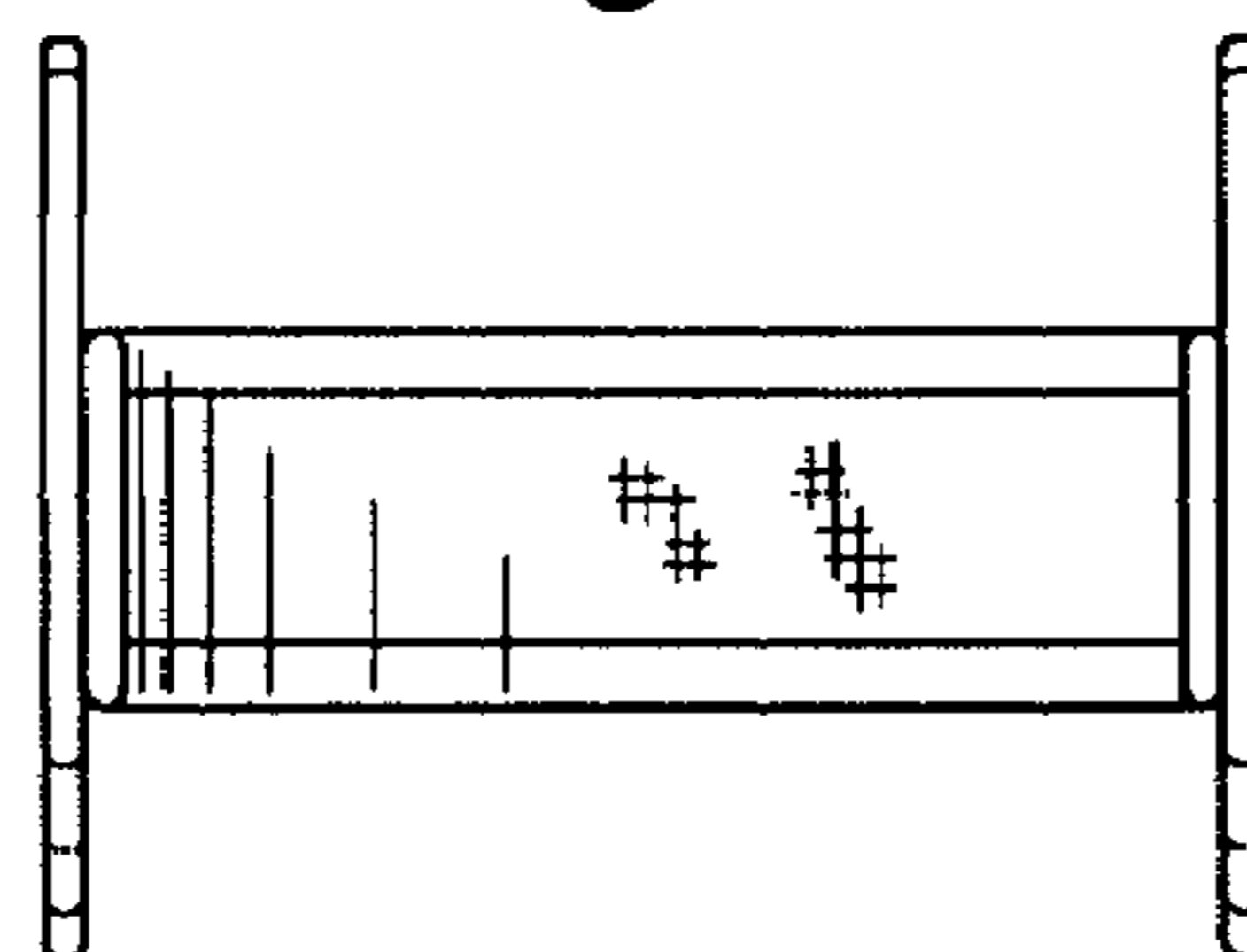


Fig. 6

