

US00D591146S

(12) **United States Design Patent**
Dallmann et al.

(10) **Patent No.:** **US D591,146 S**
(45) **Date of Patent:** **** Apr. 28, 2009**

(54) **FOLDING HANDLE AND OPERATOR COVER**

(75) Inventors: **Brian Dallmann**, Owatonna, MN (US);
Alan L. Frank, Owatonna, MN (US);
Gregory J. Vetter, Owatonna, MN (US)

(73) Assignee: **Truth Hardware Corporation**,
Owatonna, MN (US)

(**) Term: **14 Years**

(21) Appl. No.: **29/264,379**

(22) Filed: **Aug. 8, 2006**

(51) **LOC (9) Cl.** **08-09**

(52) **U.S. Cl.** **D8/400**

(58) **Field of Classification Search** D8/309,
D8/400; 49/460, 431, 342; 74/545, 547;
252/356, 357, 336.3, 210, 347, DIG. 31,
252/DIG. 20

See application file for complete search history.

(56) **References Cited**

U.S. PATENT DOCUMENTS

1,274,471 A	8/1918	Todd	
2,355,932 A	8/1944	Walton	
3,007,348 A	11/1961	Barnes	
3,044,478 A	7/1962	Russell	
D198,202 S	5/1964	Morgan	
D217,718 S	6/1970	Magers et al.	
D260,682 S	9/1981	Vest	
4,392,330 A	7/1983	Buhr	
4,937,976 A	7/1990	Tucker et al.	
5,006,766 A	4/1991	Yuhas et al.	
D331,531 S	12/1992	Guhl et al.	
D336,233 S *	6/1993	Zimmermann	D8/309
D347,569 S	6/1994	Vetter et al.	
D350,666 S	9/1994	Wobschall et al.	
5,400,473 A	3/1995	Delman	
D360,357 S	7/1995	Peterson et al.	

D361,490 S	8/1995	Vetter
5,467,503 A	11/1995	Nolte et al.
D365,513 S	12/1995	Vetter et al.
D369,290 S	4/1996	Subliskey
D369,741 S	5/1996	Harrison et al.
5,531,138 A	7/1996	Vetter

(Continued)

Primary Examiner—Cathron C Brooks

Assistant Examiner—Barbara Fox

(74) *Attorney, Agent, or Firm*—Patterson, Thuente, Skaar & Christensen, PA

(57) **CLAIM**

We claim the ornamental design for a folding handle and operator cover, as shown and described.

DESCRIPTION

FIG. 1 is a front perspective view of a folding handle and operator cover showing our new design, with the folding handle in a folded position and, for context, depicted in position on a window sill;

FIG. 2 is an elevation view of a first end of the folding handle and operator cover depicted in FIG. 1;

FIG. 3 is an elevation view of the opposing end of the folding handle and operator cover depicted in FIG. 1;

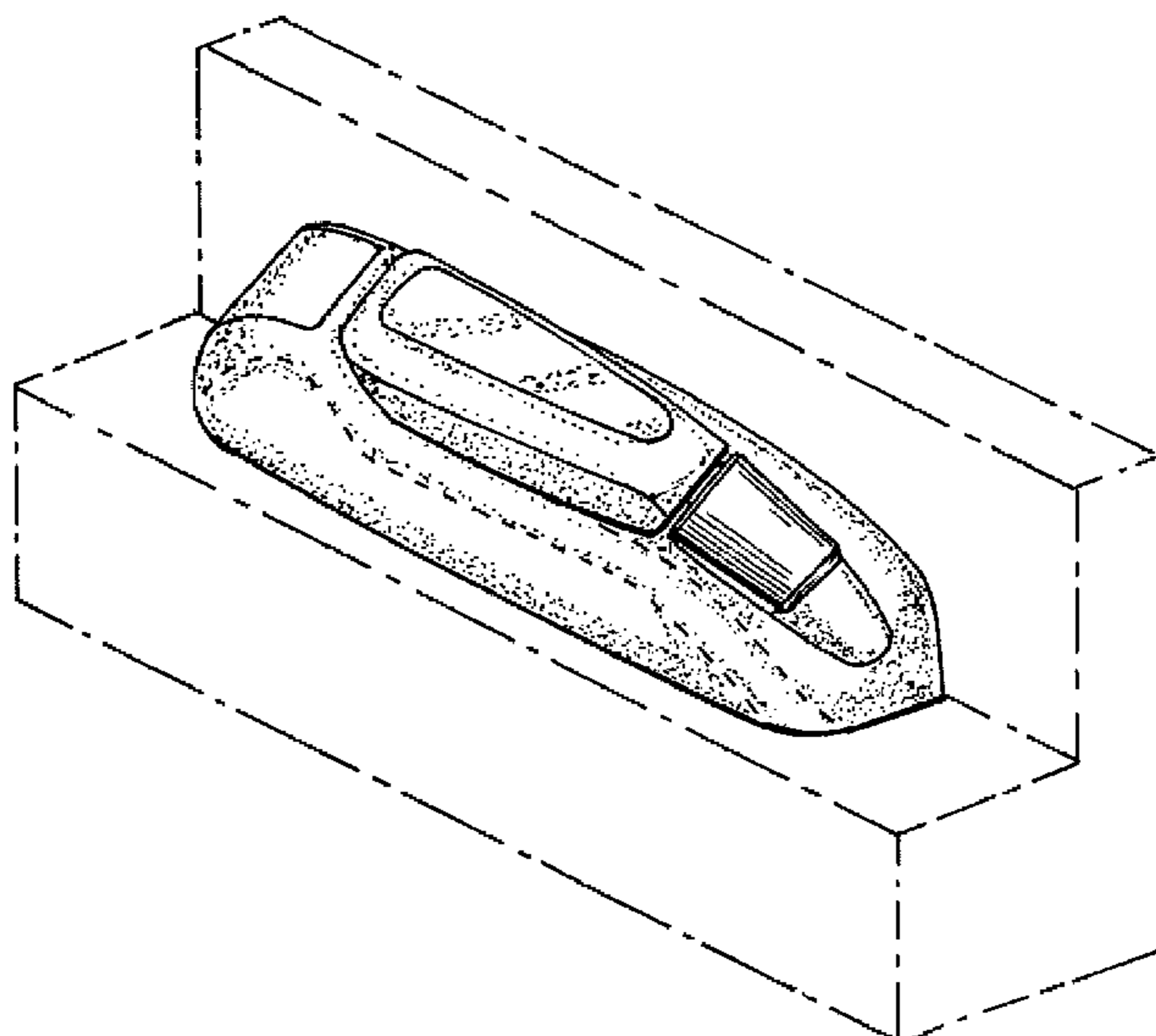
FIG. 4 is an elevation view of a first side of the folding handle and operator cover depicted in FIG. 1;

FIG. 5 is an elevation view of the opposing side of the folding handle and operator cover depicted in FIG. 1; and,

FIG. 6 is a plan view of the folding handle and operator cover depicted in FIG. 1 from a viewpoint perpendicular to the viewpoint of the views of FIGS. 2, 3, 4, and 5.

The broken lines shown in the drawings illustrate portions of the design and environmental structure, and form no part of the claimed design.

1 Claim, 2 Drawing Sheets



US D591,146 S

Page 2

U.S. PATENT DOCUMENTS

5,551,316 A	9/1996	Blank	6,174,005 B1	1/2001	Norton
D375,042 S	10/1996	Anderson et al.	6,227,581 B1	5/2001	Lambert
5,560,082 A	10/1996	Vetter	D450,237 S	11/2001	Vande Steeg et al.
D375,254 S	11/1996	Anderson et al.	D451,781 S	12/2001	Vande Steeg et al.
D375,445 S	11/1996	Harrison et al.	D452,999 S	1/2002	Vande Steeg et al.
D375,674 S	11/1996	Anderson et al.	D459,193 S	6/2002	Vande Steeg et al.
D376,099 S	12/1996	Orf et al.	D459,982 S	7/2002	Vande Steeg et al.
5,620,213 A	4/1997	Ellis	D476,882 S	7/2003	Gledhill et al.
D379,917 S	6/1997	Vetter et al.	6,640,389 B2	11/2003	Van Klompenburg et al.
D390,454 S	2/1998	Vetter et al.	D484,787 S	1/2004	Huml
D390,777 S	2/1998	Peterson et al.	D487,012 S	2/2004	Stoll et al.
5,740,632 A	4/1998	Peterson et al.	D494,850 S	8/2004	Braun et al.
5,765,308 A	6/1998	Anderson et al.	D497,304 S	10/2004	Stoll et al.
5,813,171 A	9/1998	Piltingsrud	D506,127 S	6/2005	Vetter et al.
D408,274 S	4/1999	Vetter et al.	D521,847 S *	5/2006	Vetter et al. D8/309
D408,729 S	4/1999	Virkler et al.	D522,837 S *	6/2006	Vetter et al. D8/306
5,937,582 A	8/1999	Taylor	D533,446 S *	12/2006	Vetter D8/400
D418,050 S	12/1999	Lisiecki et al.	7,147,256 B2 *	12/2006	Gill 292/336.3
D421,209 S	2/2000	Buckland	D537,335 S *	2/2007	Vetter et al. D8/400
6,039,363 A	3/2000	Sugimura et al.	D551,942 S *	10/2007	Vetter et al. D8/337
6,164,156 A	12/2000	Purcell	2002/0066162 A1 *	6/2002	Klompenburg et al. 16/429
			2007/0273162 A1 *	11/2007	Schultz 292/336.3

* cited by examiner

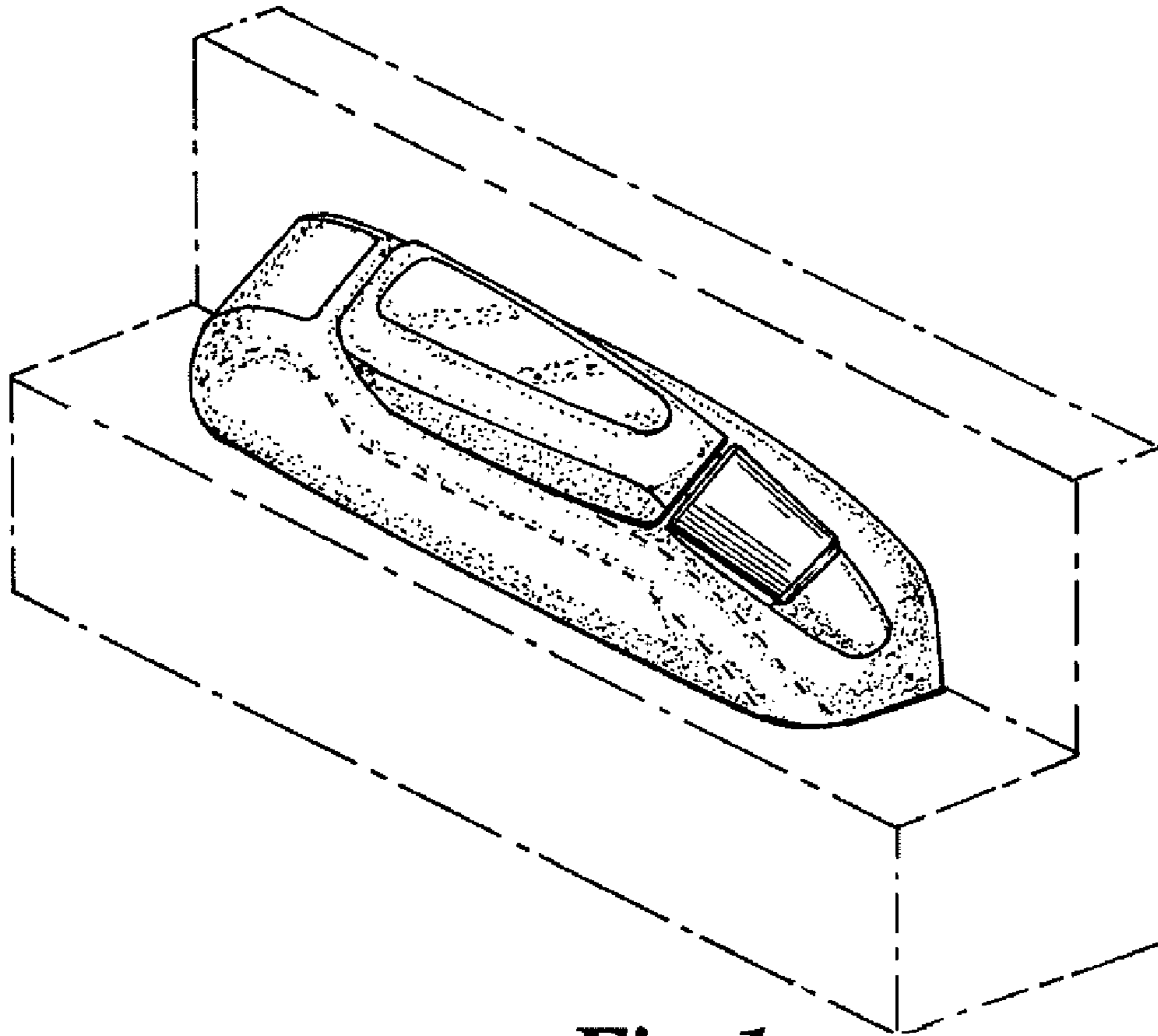


Fig. 1.

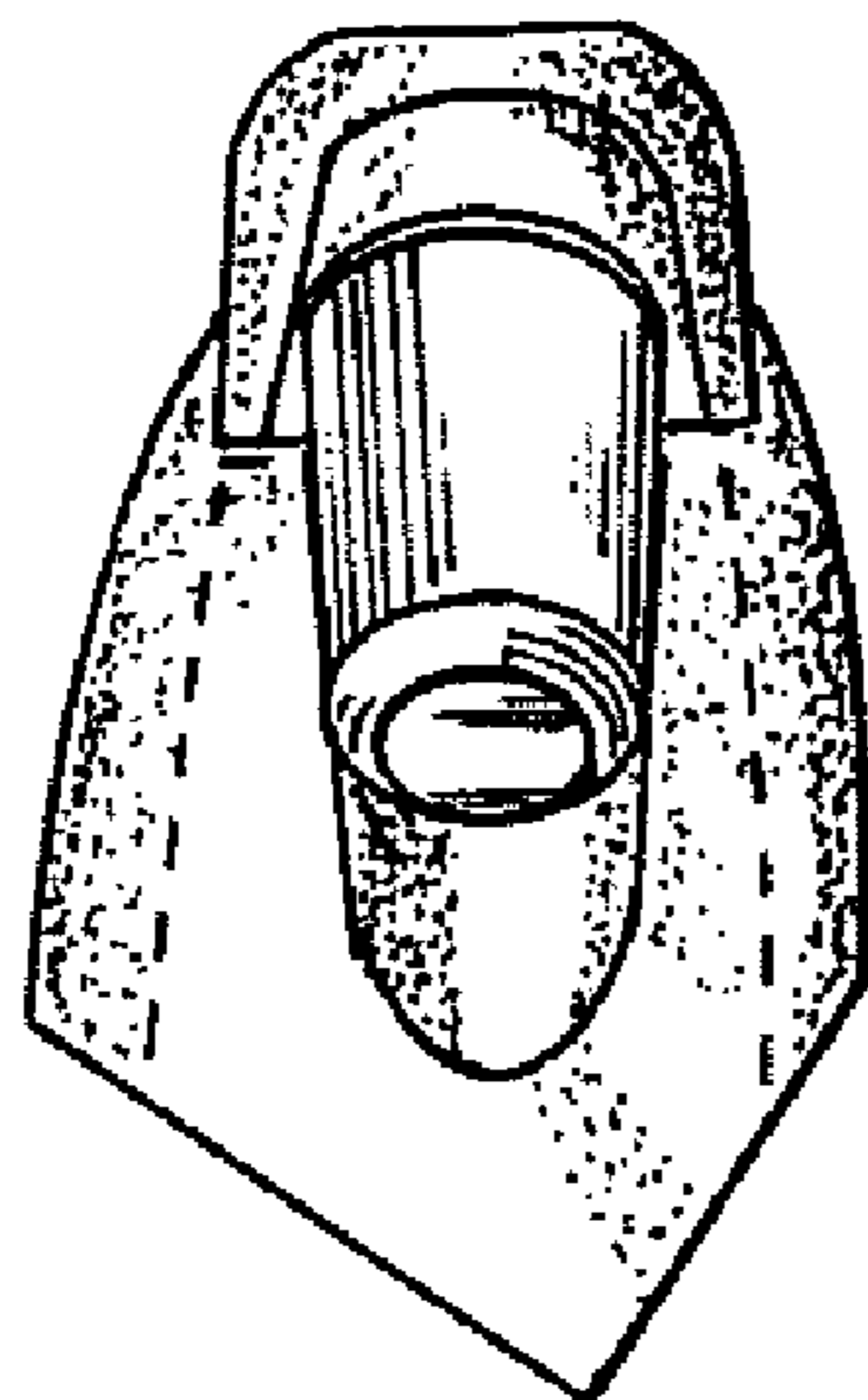


Fig. 2.

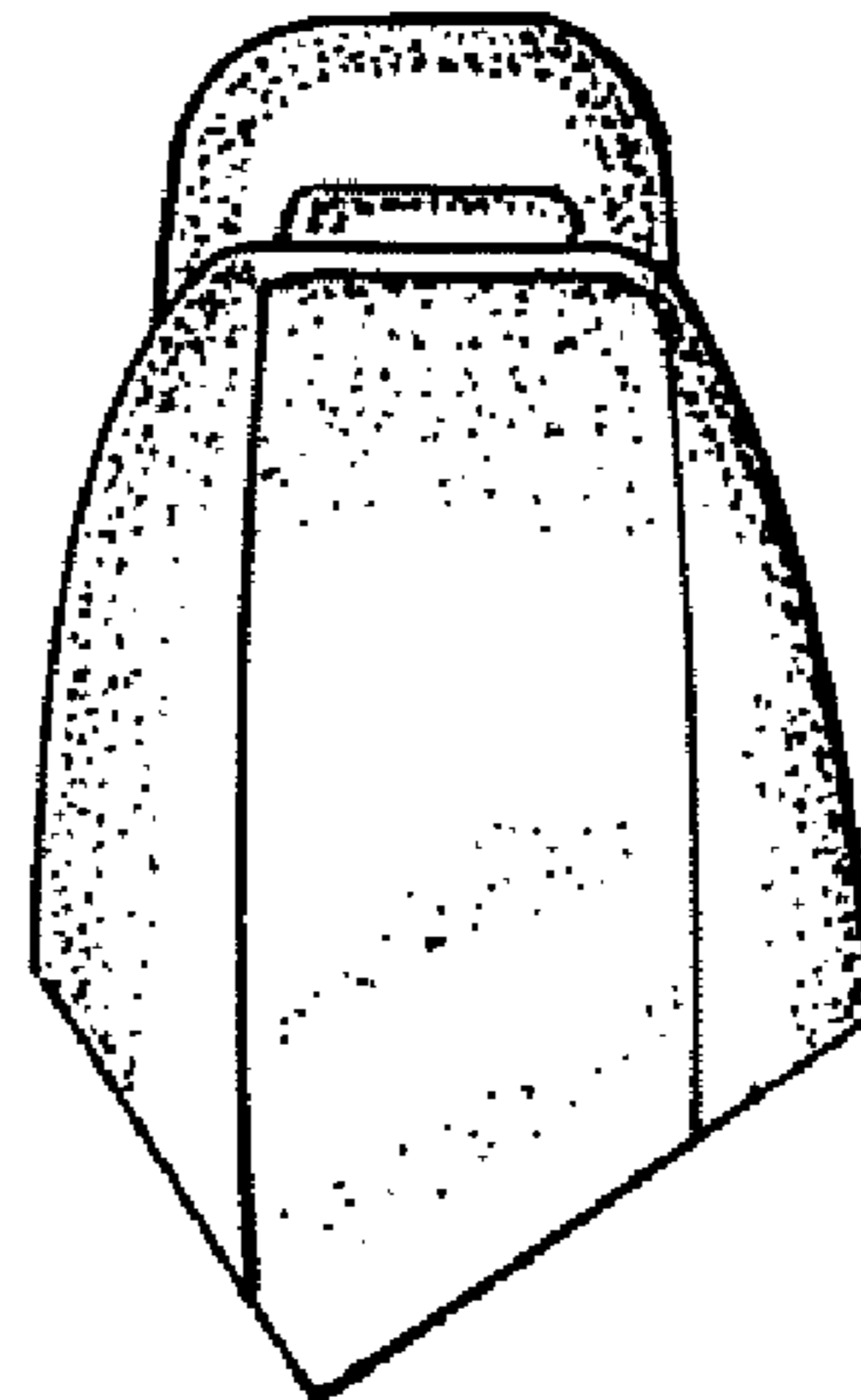


Fig. 3.

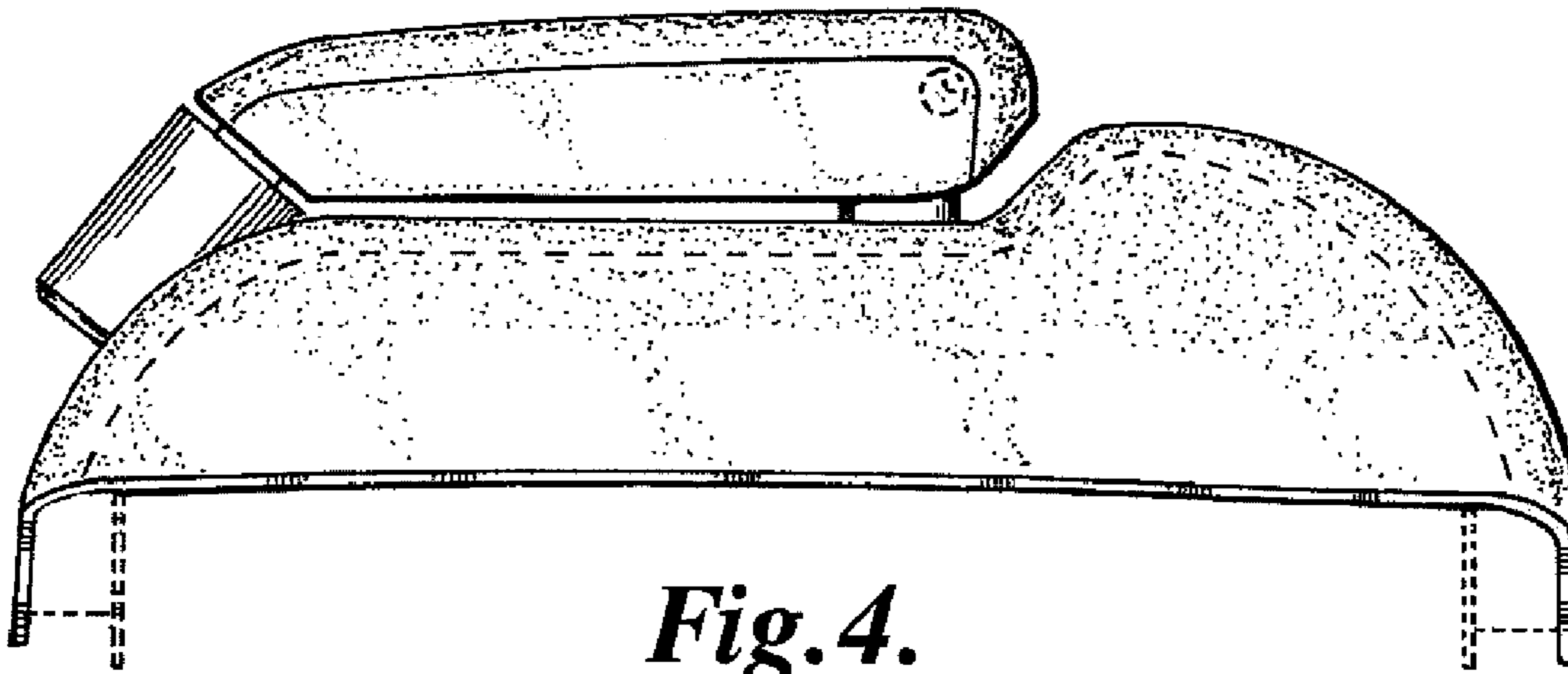


Fig. 4.

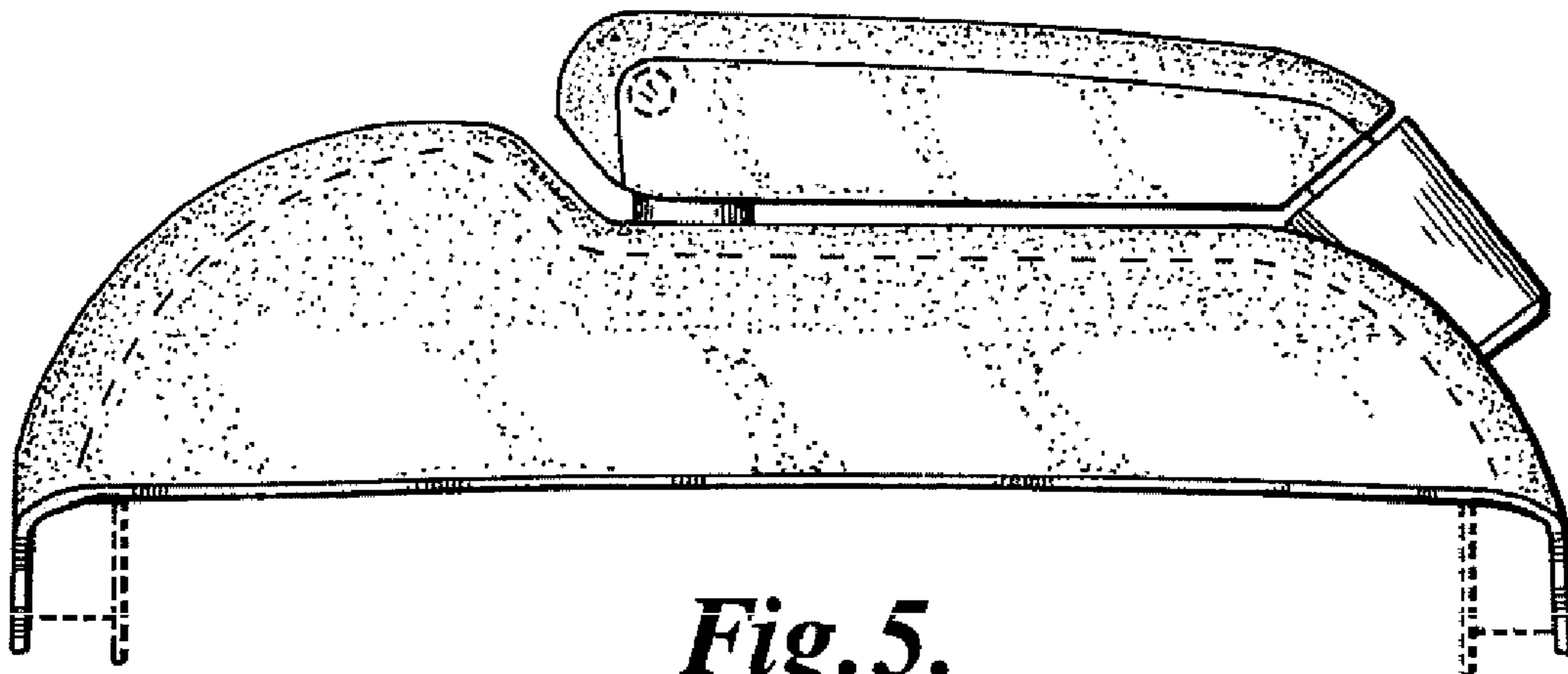


Fig. 5.

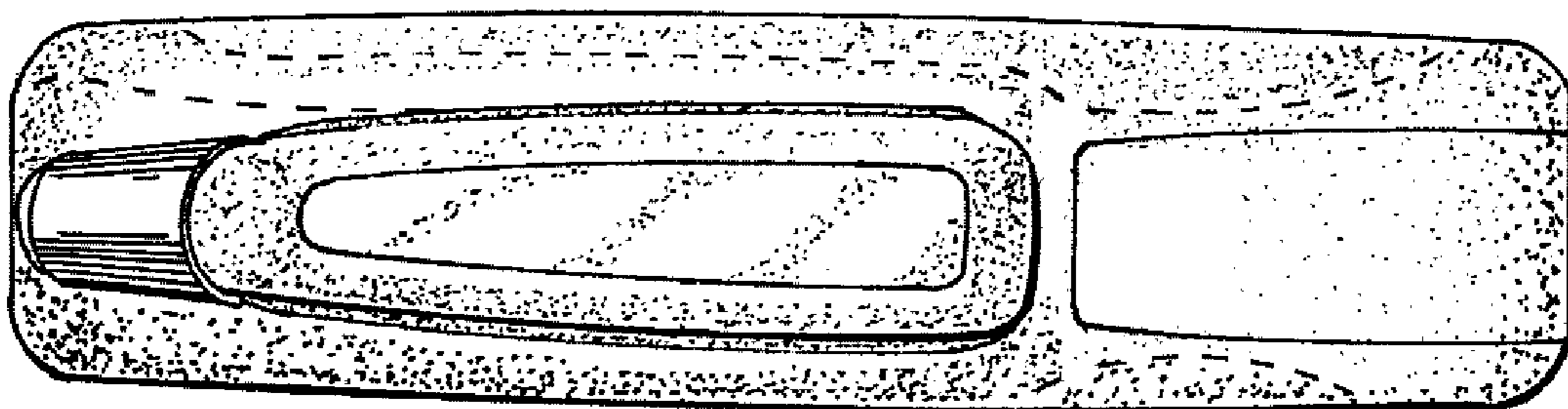


Fig. 6.