

US00D591144S

(12) **United States Design Patent**
Hennessey et al.

(10) **Patent No.:** **US D591,144 S**
(45) **Date of Patent:** **** Apr. 28, 2009**

(54) **STRAP LOCK**
(75) Inventors: **James R. Hennessey**, West Hartford, CT
(US); **Joshua D. Berger**, Moodus, CT
(US)

(73) Assignee: **The Music People, Inc.**, Berlin, CT
(US)

(**) Term: **14 Years**

(21) Appl. No.: **29/304,190**

(22) Filed: **Feb. 27, 2008**

(51) **LOC (9) Cl.** **08-08**

(52) **U.S. Cl.** **D8/387**

(58) **Field of Classification Search** D8/387,
D8/383; 411/387.1, 387.8, 387.3, 144, 378,
411/380, 403, 429, 24, 26; 84/421, 327;
24/682.1, 656; 224/257, 271, 910; 248/188.4,
248/188.9, 354.3; 405/259.1, 259.3, 259.5
See application file for complete search history.

(56) **References Cited**

U.S. PATENT DOCUMENTS

3,894,464 A * 7/1975 Brooks 84/327
4,274,181 A * 6/1981 Schaller 24/656
4,291,822 A * 9/1981 Simonds 224/257
D283,591 S * 4/1986 Swanstrom D8/387

4,953,267 A * 9/1990 Marino et al. 24/682.1
D328,241 S * 7/1992 Longstreet D8/383
D372,666 S * 8/1996 Longstreet D8/383
5,615,462 A * 4/1997 Goto 24/608
5,880,384 A * 3/1999 Beck 84/327
7,256,337 B1 * 8/2007 Walker 84/327
D551,954 S * 10/2007 Tan D8/387
D551,957 S * 10/2007 Chen et al. D8/387
2008/0163738 A1 * 7/2008 Rosenberg et al. 84/421

* cited by examiner

Primary Examiner—Holly H Baynham

Assistant Examiner—Sheryl Lane

(74) *Attorney, Agent, or Firm*—Michaud-Duffy Group LLP

(57) **CLAIM**

The ornamental design for a strap lock, as shown and described.

DESCRIPTION

FIG. 1 is a perspective view of the strap lock.

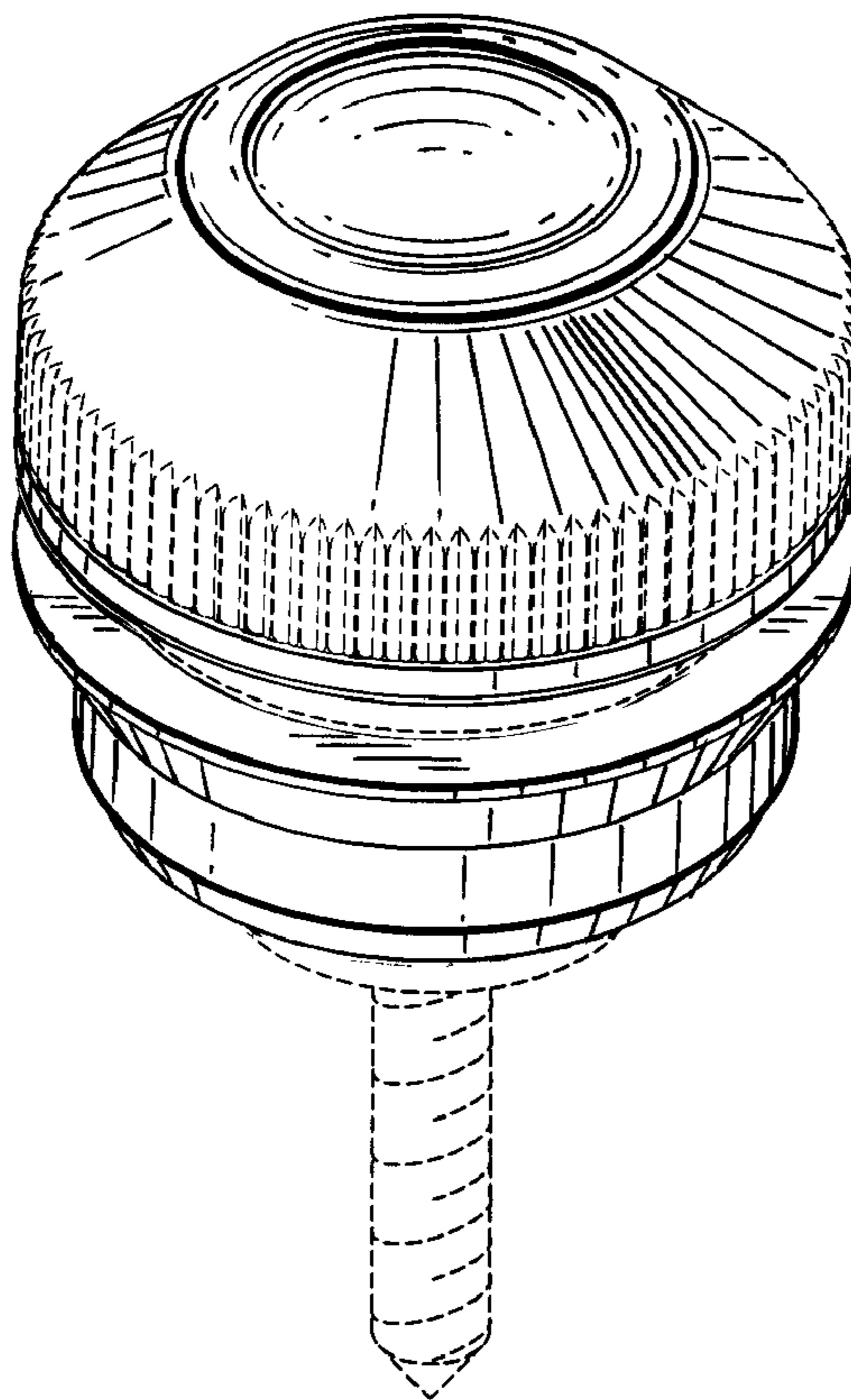
FIG. 2 is a top view of the strap lock of FIG. 1.

FIG. 3 is a side view of the strap lock of FIG. 1; and,

FIG. 4 is a bottom view the strap lock of FIG. 1.

The broken line showing of the strap lock is included for the purpose of illustrating environment and forms no part of the claimed design.

1 Claim, 2 Drawing Sheets



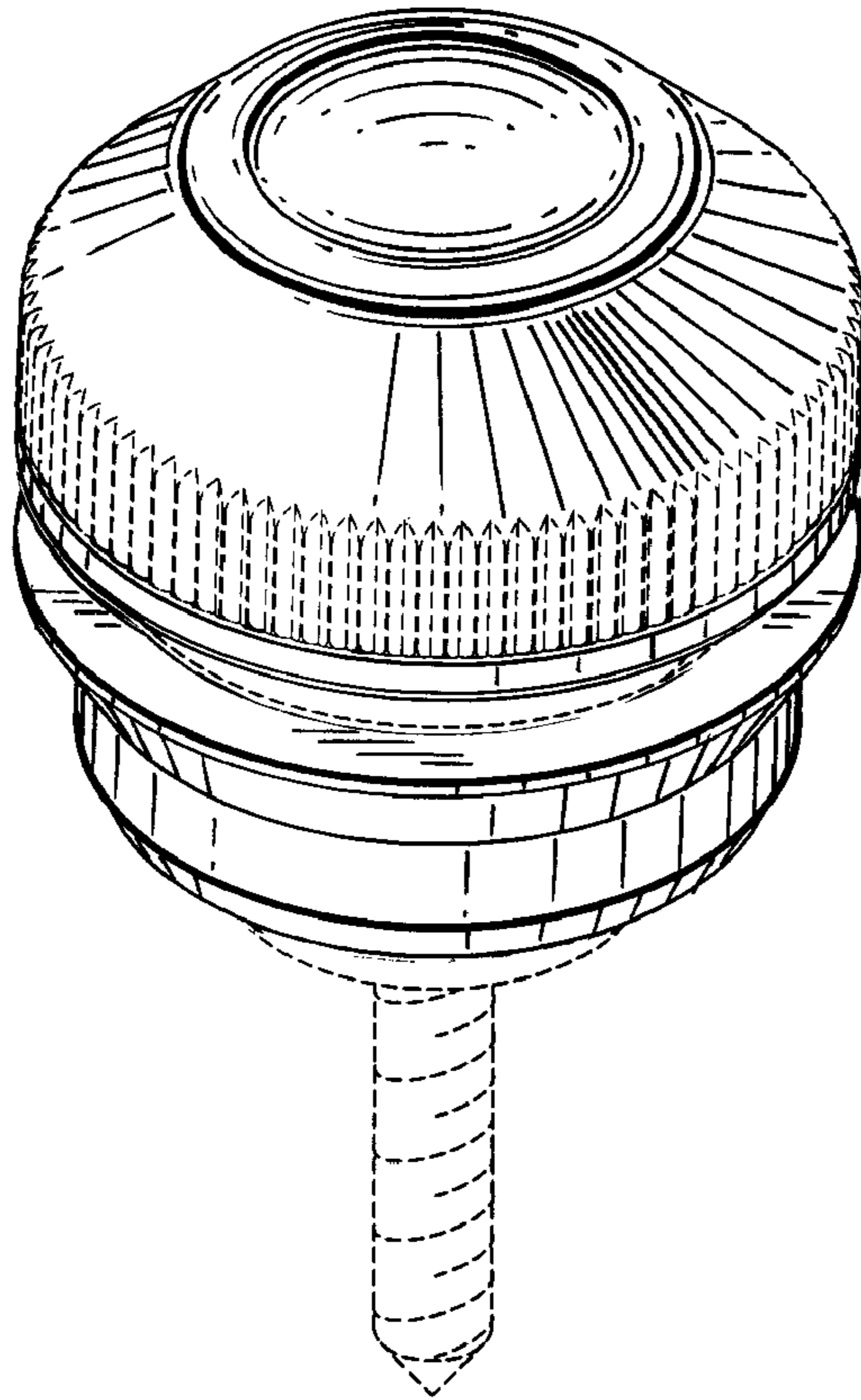


FIG. 1

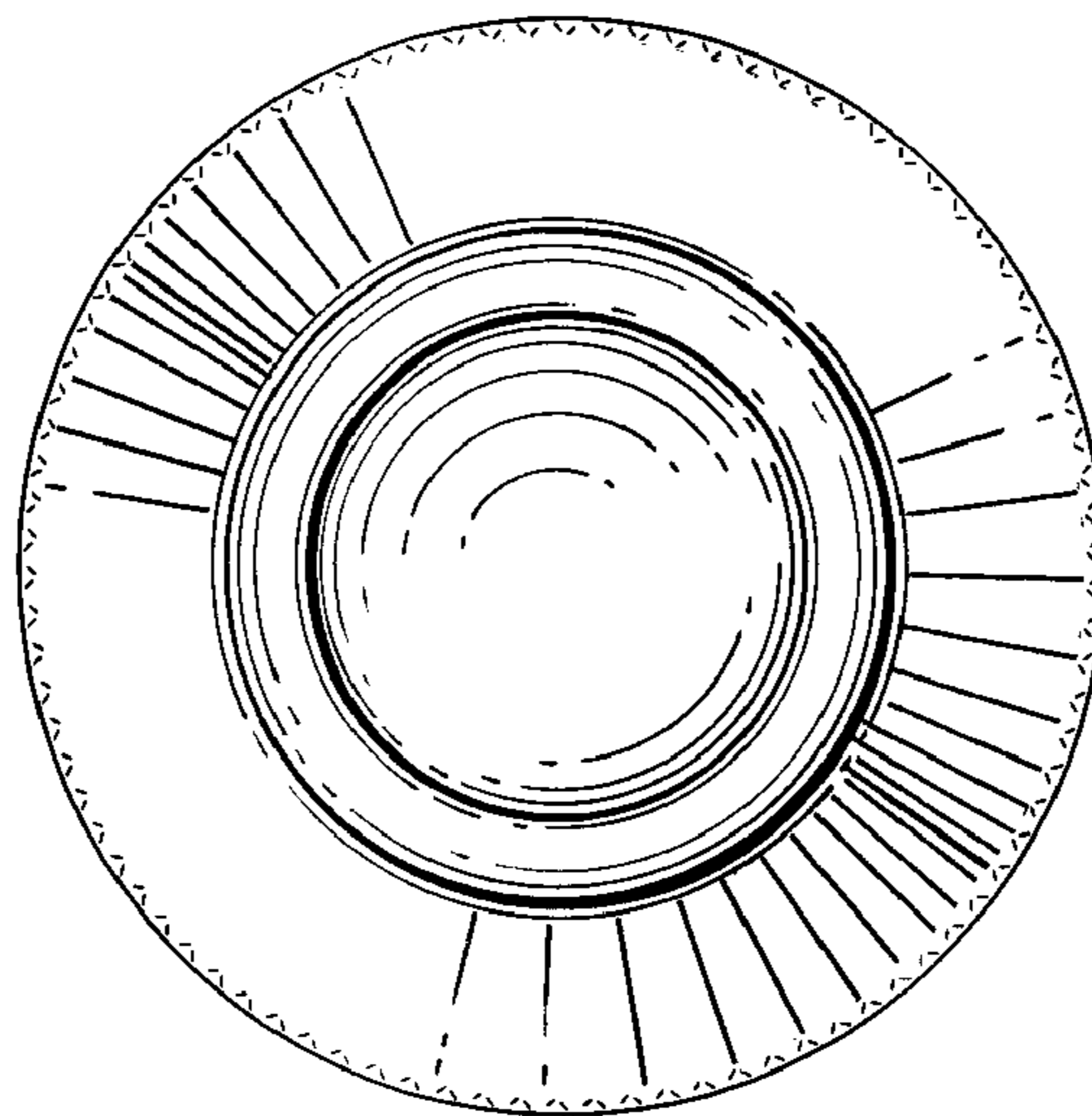


FIG. 2

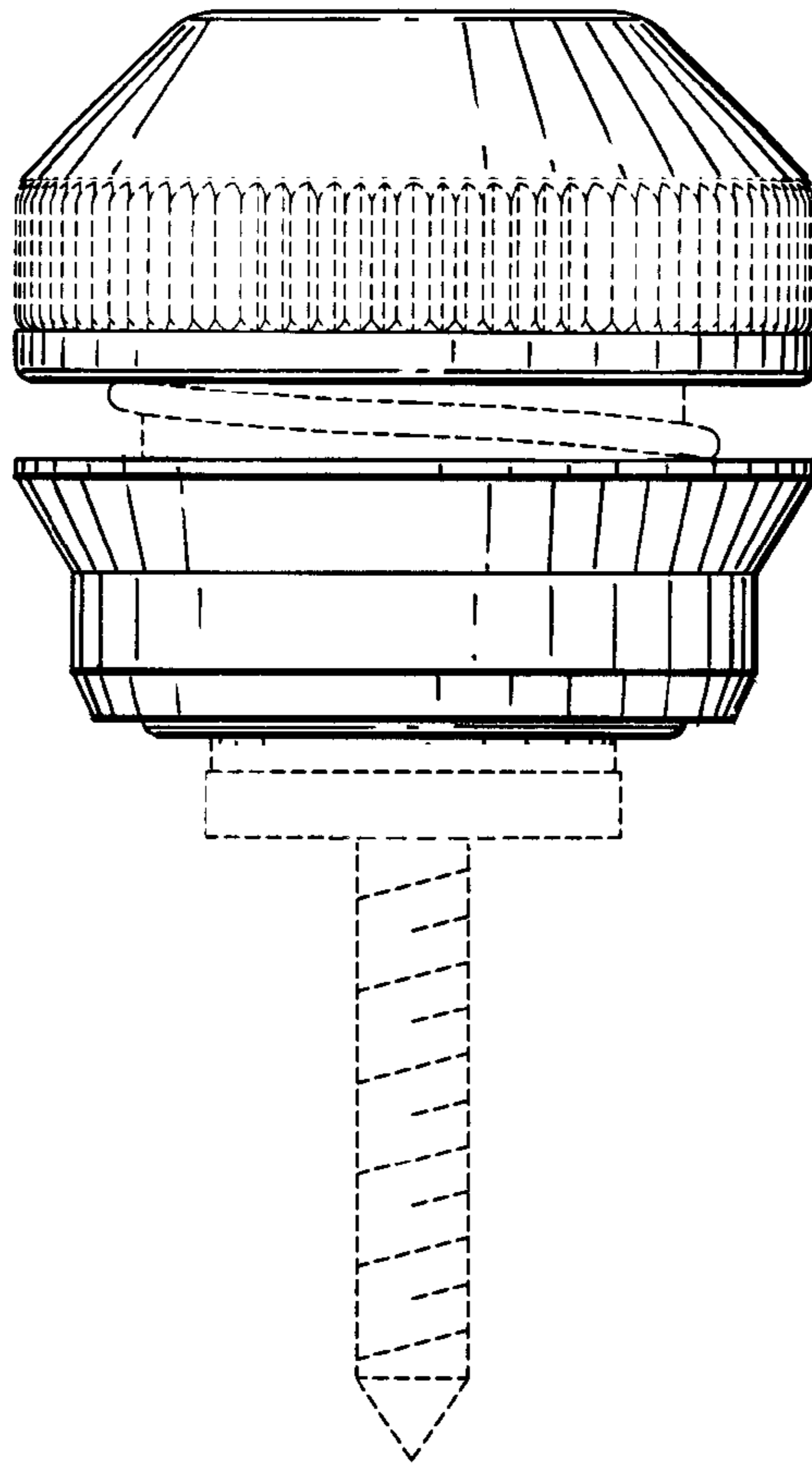


FIG.3

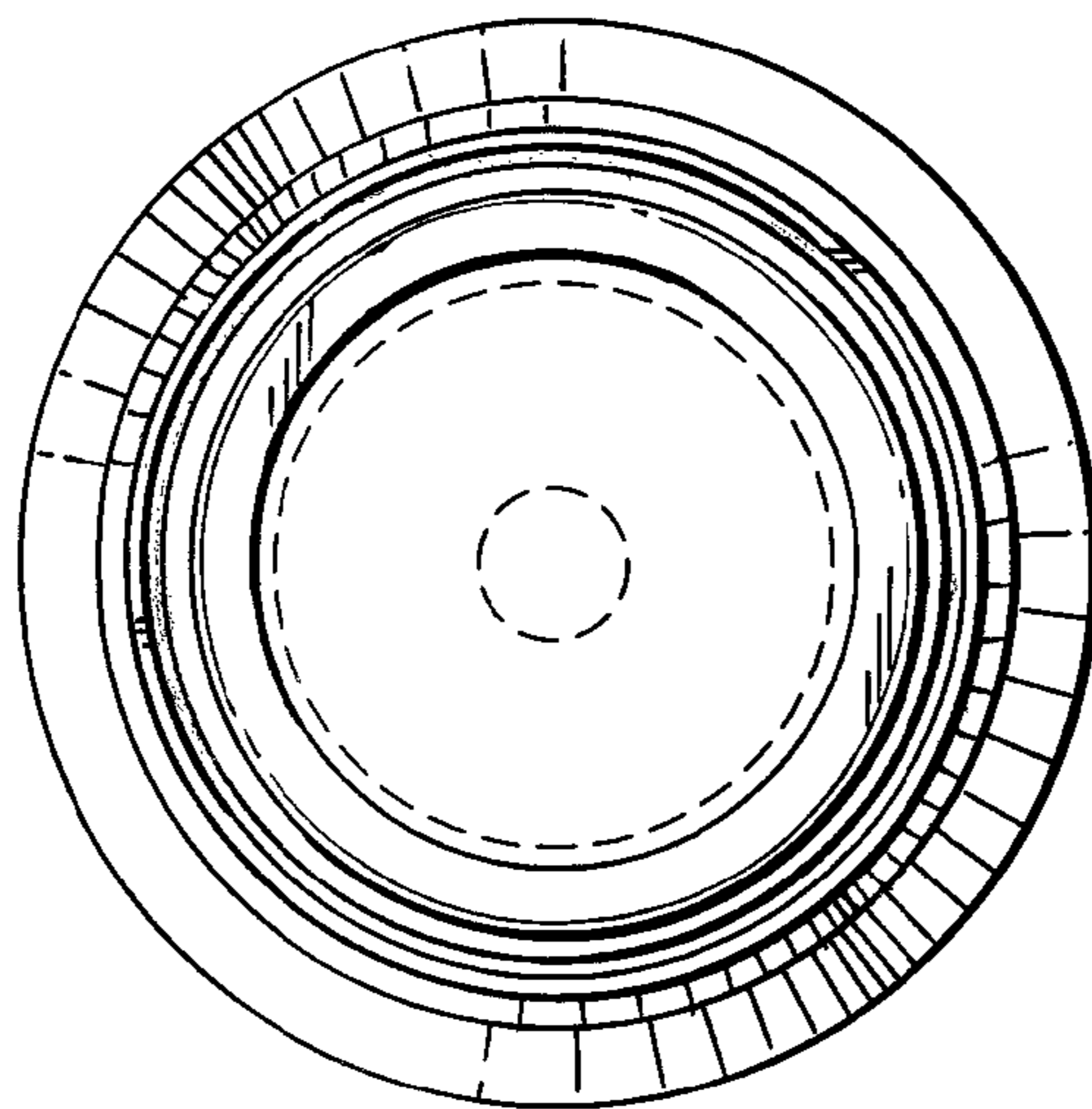


FIG.4