



US00D591141S

(12) **United States Design Patent**  
**Miller**

(10) **Patent No.:** **US D591,141 S**  
(45) **Date of Patent:** **\*\* \*Apr. 28, 2009**

(54) **ANCHOR LOCKER**

(76) Inventor: **Michael G. Miller**, 12509 SE. 8th St.,  
Vancouver, WA (US) 98683

(\*) Notice: This patent is subject to a terminal disclaimer.

(\*\*) Term: **14 Years**

(21) Appl. No.: **29/272,188**

(22) Filed: **Feb. 1, 2007**

(51) **LOC (9) Cl.** ..... **08-08**

(52) **U.S. Cl.** ..... **D8/356; D8/336**

(58) **Field of Classification Search** ..... D8/330,  
D8/331, 349, 356, 354, 355, 360, 360.1;  
70/234, 247, 431; 292/1, 246, 247, 332;  
114/294, 295, 297, 210

See application file for complete search history.

(56) **References Cited**

**U.S. PATENT DOCUMENTS**

3,071,097	A *	1/1963	Dowrello	.....	114/210
3,554,153	A	1/1971	Davis		
3,704,680	A	12/1972	Uher		
3,812,811	A *	5/1974	Rodriguez	.....	114/218
3,834,670	A *	9/1974	Pityo	.....	254/338
3,865,065	A	2/1975	Dennis et al.		
3,881,680	A *	5/1975	Lietaert, Jr.	.....	248/552
D239,329	S *	3/1976	Schramm et al.	.....	D15/1
3,952,683	A	4/1976	Eudy et al.		
3,991,699	A *	11/1976	Bass	.....	114/210
4,057,025	A	11/1977	Piotrowski		
4,248,171	A	2/1981	Barbour		
D259,240	S *	5/1981	Myron	.....	D8/356

4,362,119	A	12/1982	Thimander		
D366,204	S *	1/1996	Weinerman et al.	.....	D8/338
5,996,524	A	12/1999	Johnson		
D459,839	S *	7/2002	Blackford	.....	D29/124
6,843,196	B1	1/2005	Richardson		
D519,827	S *	5/2006	Malzacher	.....	D8/356

\* cited by examiner

*Primary Examiner*—Prabhakar Deshmukh  
(74) *Attorney, Agent, or Firm*—Rylander & Associates PC;  
Kurt M. Rylander; Mark E. Beatty

(57) **CLAIM**

I claim the ornamental design for an anchor locker, as shown and described.

**DESCRIPTION**

FIG. 1 shows a top plan view of an anchor locker showing my new design.

FIG. 2 shows a left-side elevational view of an anchor locker showing my new design.

FIG. 3 shows a right elevational view of an anchor locker showing my new design.

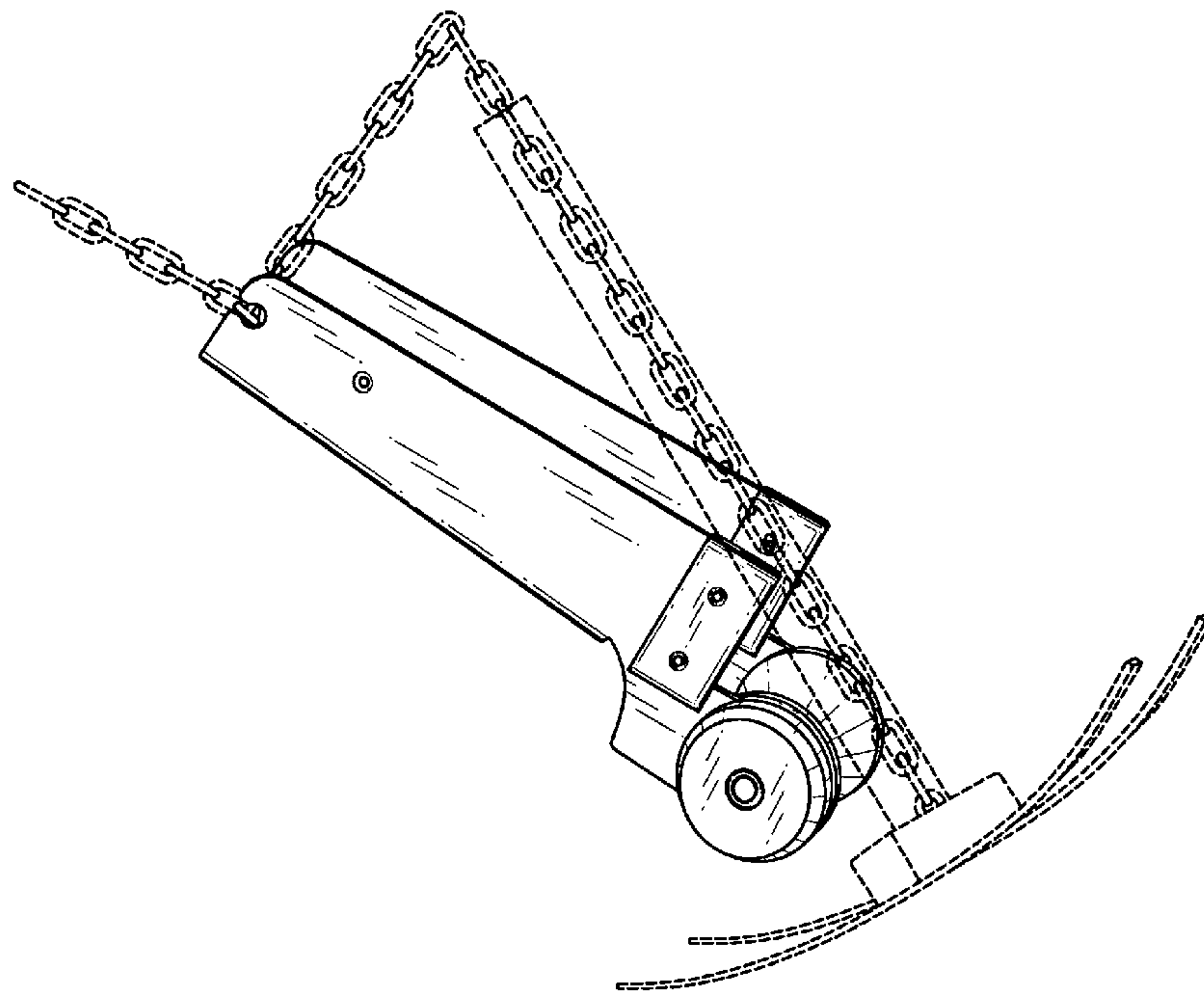
FIG. 4 shows a back elevational view of an anchor locker my new design.

FIG. 5 shows a front elevational view of an anchor locker showing my new design.

FIG. 6 shows a bottom plan view of an anchor locker showing my new design; and,

FIG. 7 shows a perspective in use view of an anchor locker showing my new design.

**1 Claim, 5 Drawing Sheets**



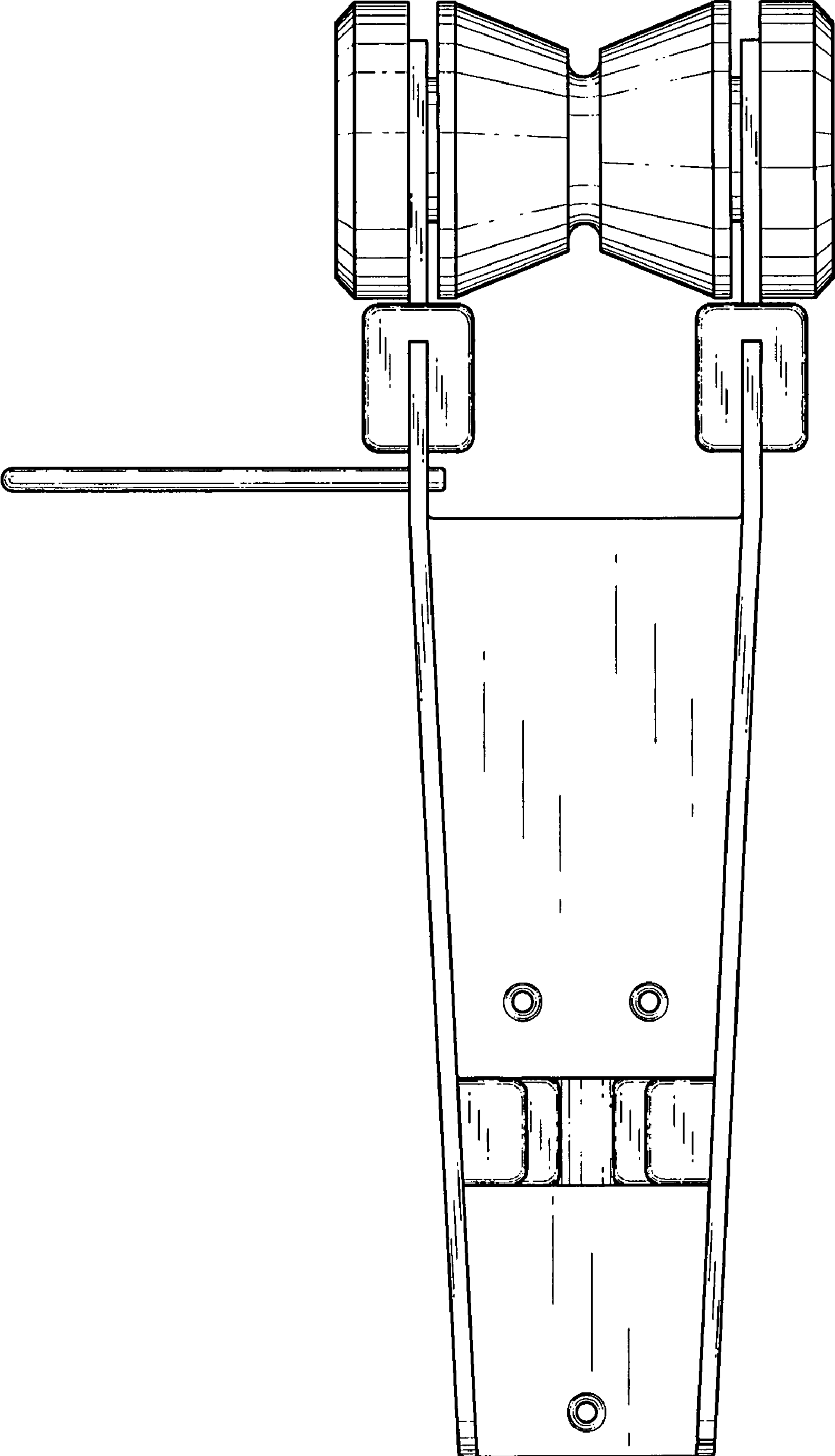


Fig. 1

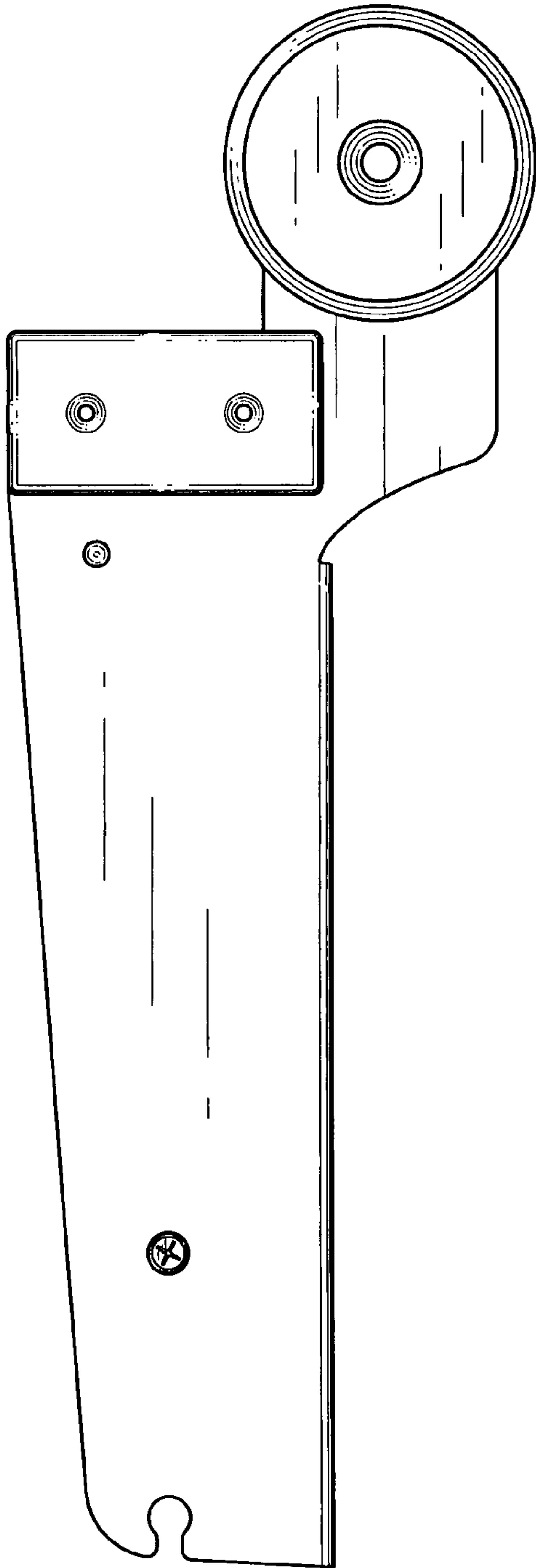


Fig. 3

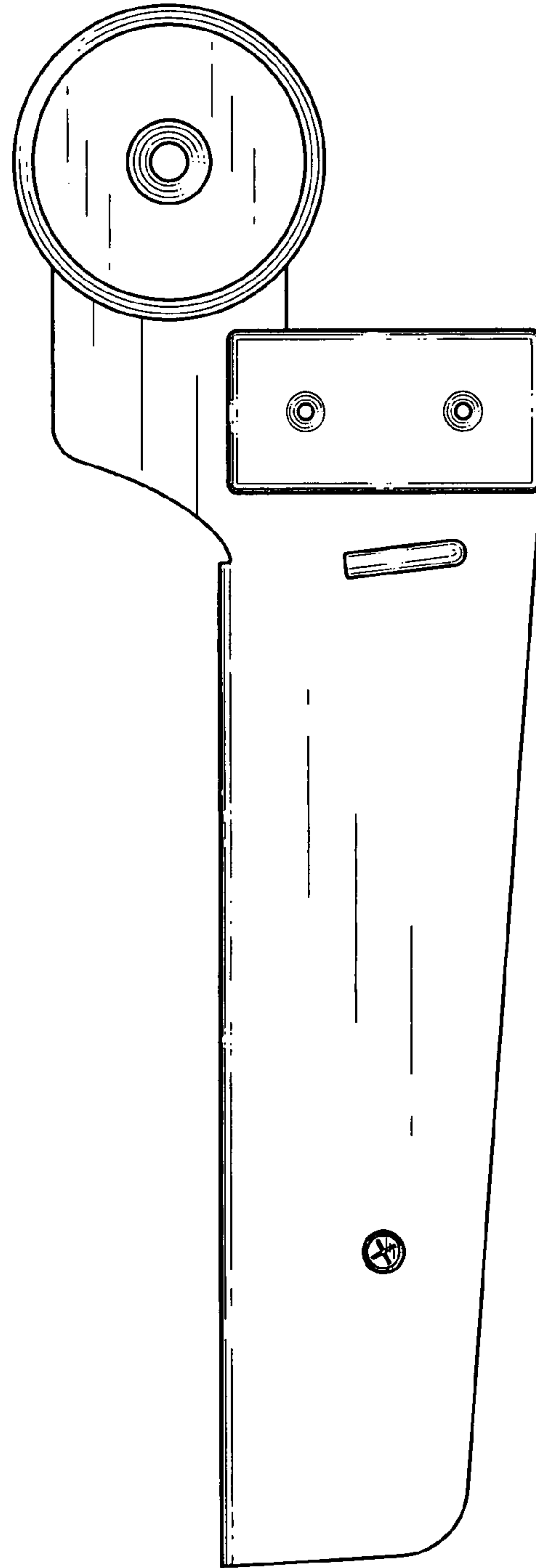


Fig. 2

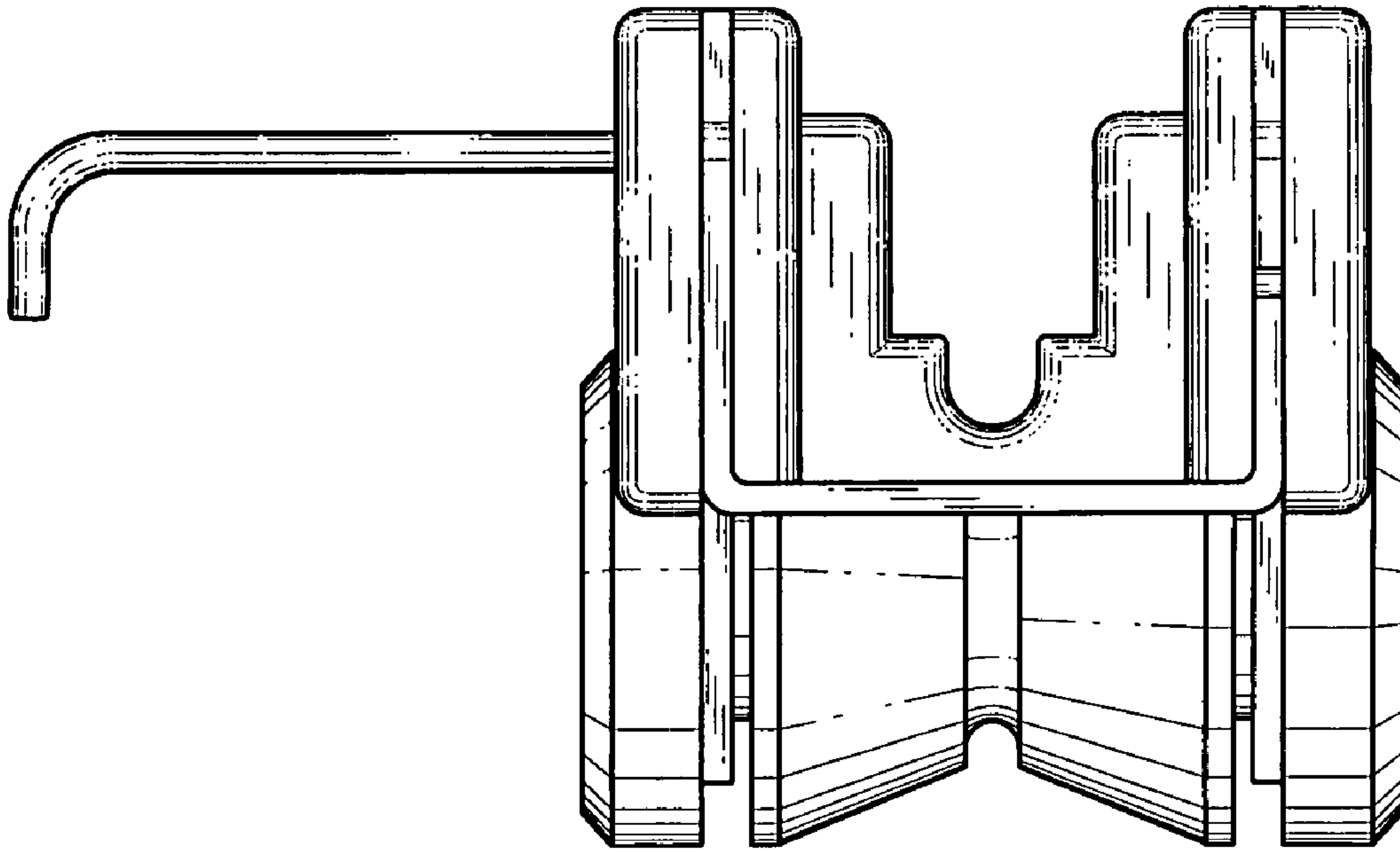


Fig. 4

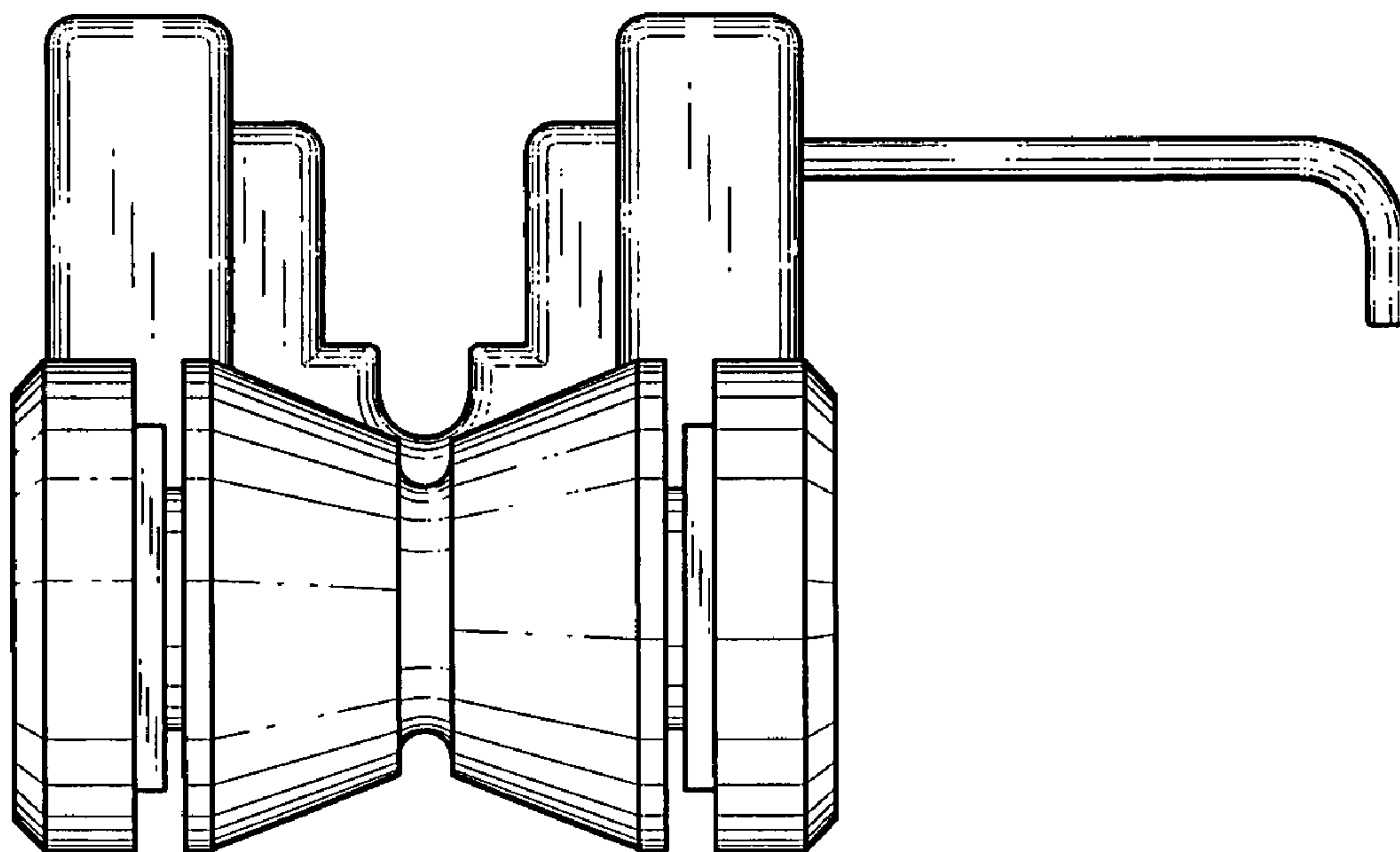


Fig. 5

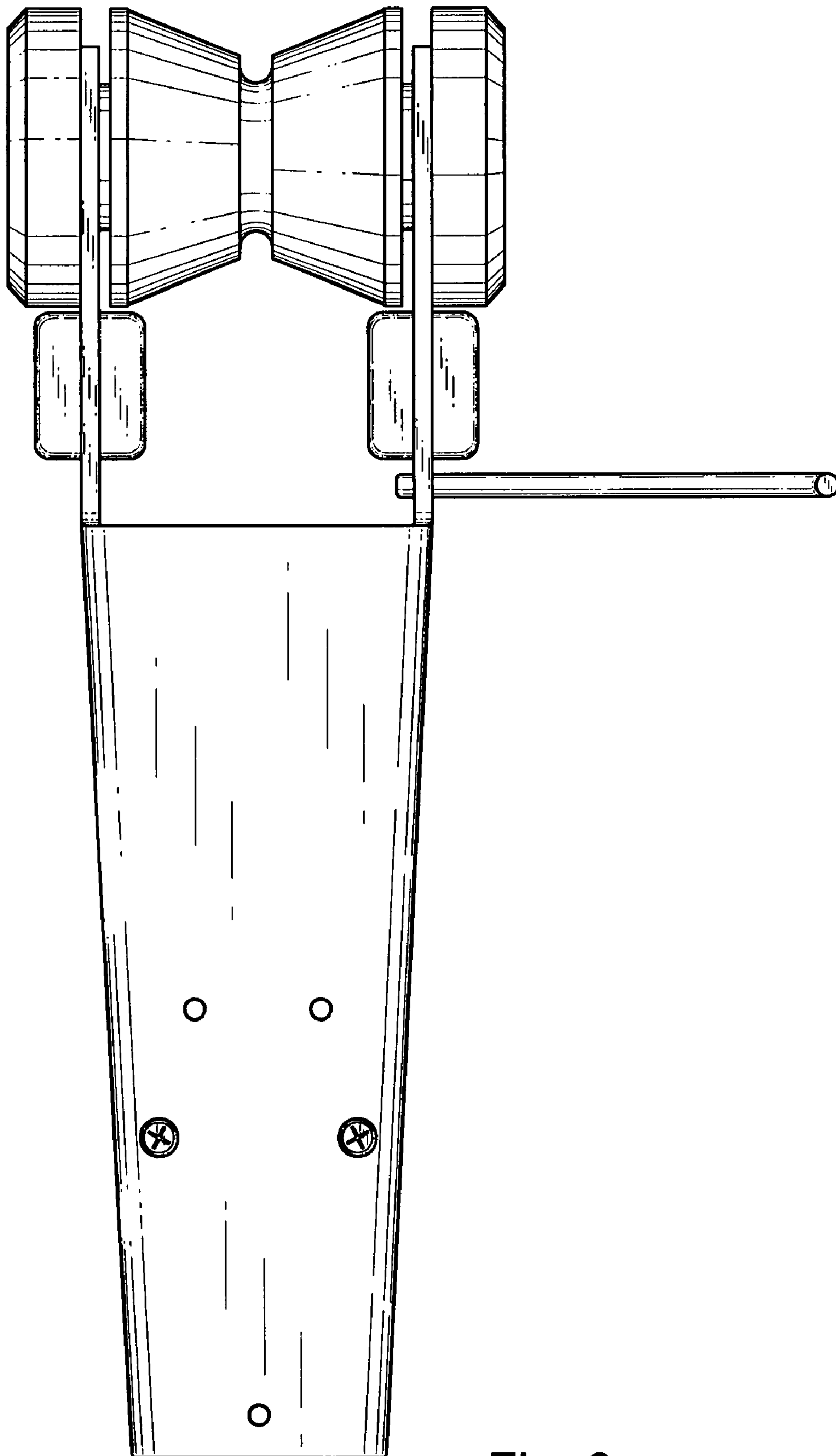


Fig. 6

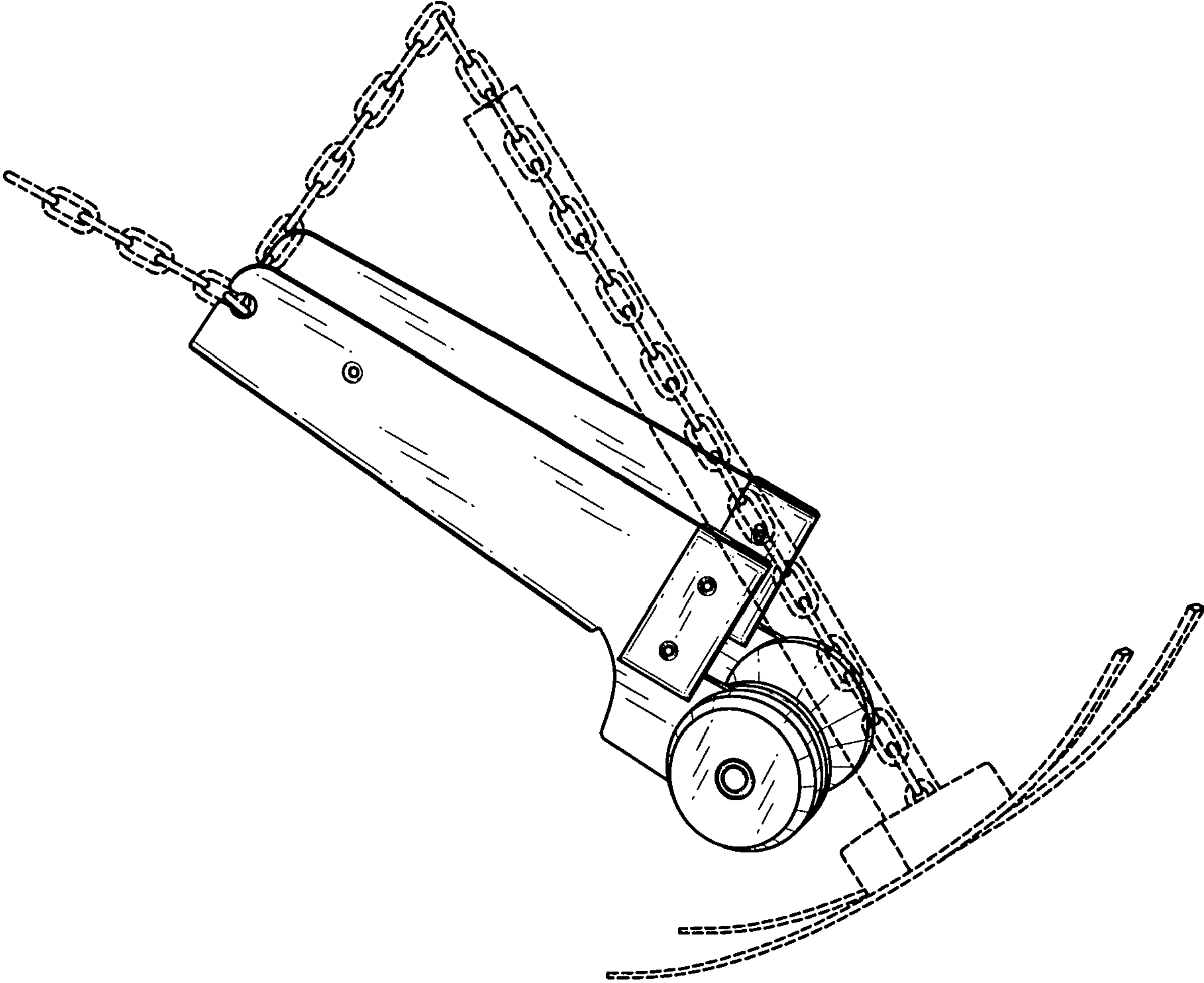


Fig. 7