



US00D591140S

(12) **United States Design Patent**
Schafer et al.

(10) **Patent No.:** **US D591,140 S**

(45) **Date of Patent:** **** Apr. 28, 2009**

(54) **KEY FOR A DRILL CUTTING HEAD**

(75) Inventors: **Gilad Schafer**, Karmiel (IL); **Michael Abramson**, Ma'a lot (IL)

(73) Assignee: **Iscar, Ltd.**, Tefen (IL)

(**) Term: **14 Years**

(21) Appl. No.: **29/299,633**

(22) Filed: **Dec. 31, 2007**

(30) **Foreign Application Priority Data**

Sep. 10, 2007 (IL) 44779

(51) **LOC (9) Cl.** **08-07**

(52) **U.S. Cl.** **D8/347**

(58) **Field of Classification Search** D8/347,
D8/71, 343, 344, 346, 348; 70/393, 407,
70/408; 279/147, 154; 408/241 R
See application file for complete search history.

(56) **References Cited**

U.S. PATENT DOCUMENTS

2,880,008 A * 3/1959 Stoner 279/58
4,093,396 A * 6/1978 Widigs 408/241 R
4,133,543 A * 1/1979 Johnson 279/149

D253,160 S * 10/1979 Steinbach
D298,208 S * 10/1988 Olsen D8/71
5,071,296 A * 12/1991 Dietzen et al. 279/149
D346,317 S * 4/1994 Throneberry D8/71
D371,955 S * 7/1996 Draeger D8/347
D439,499 S * 3/2001 Creely et al. D8/347

* cited by examiner

Primary Examiner—Prabhakar Deshmukh

Assistant Examiner—Derrick Holland

(74) *Attorney, Agent, or Firm*—Womble Carlyle

(57) **CLAIM**

The ornamental design for a key for a drill cutting head, as shown and described.

DESCRIPTION

FIG. 1 is a perspective view of a key for a drill cutting head showing our new design;

FIG. 2 is a front view thereof;

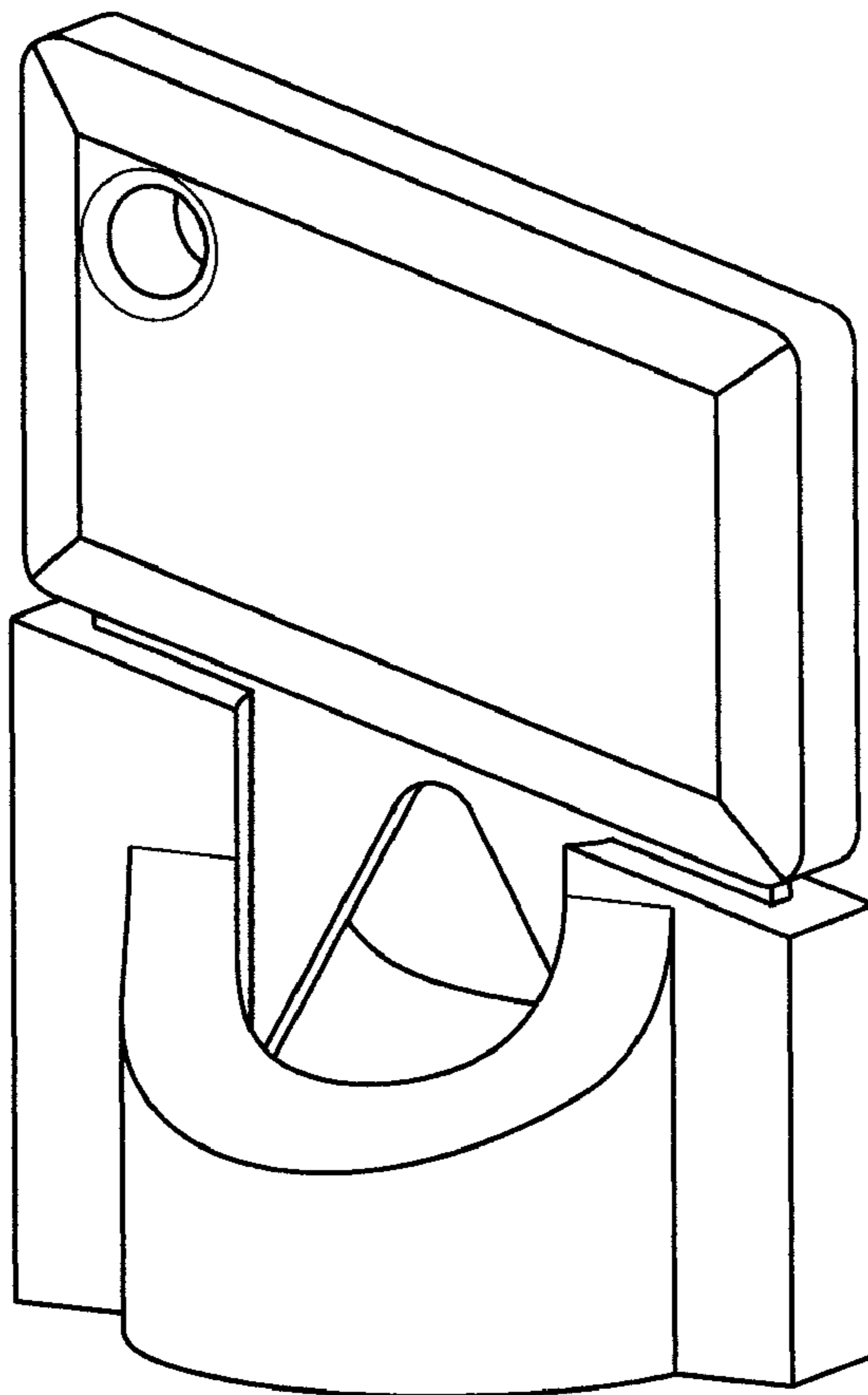
FIG. 3 is a top plan view thereof;

FIG. 4 is a side view thereof; and,

FIG. 5 is a bottom plan view thereof.

The broken lines shown in FIG. 5 represent unclaimed subject matter and form no part of the claimed design.

1 Claim, 2 Drawing Sheets



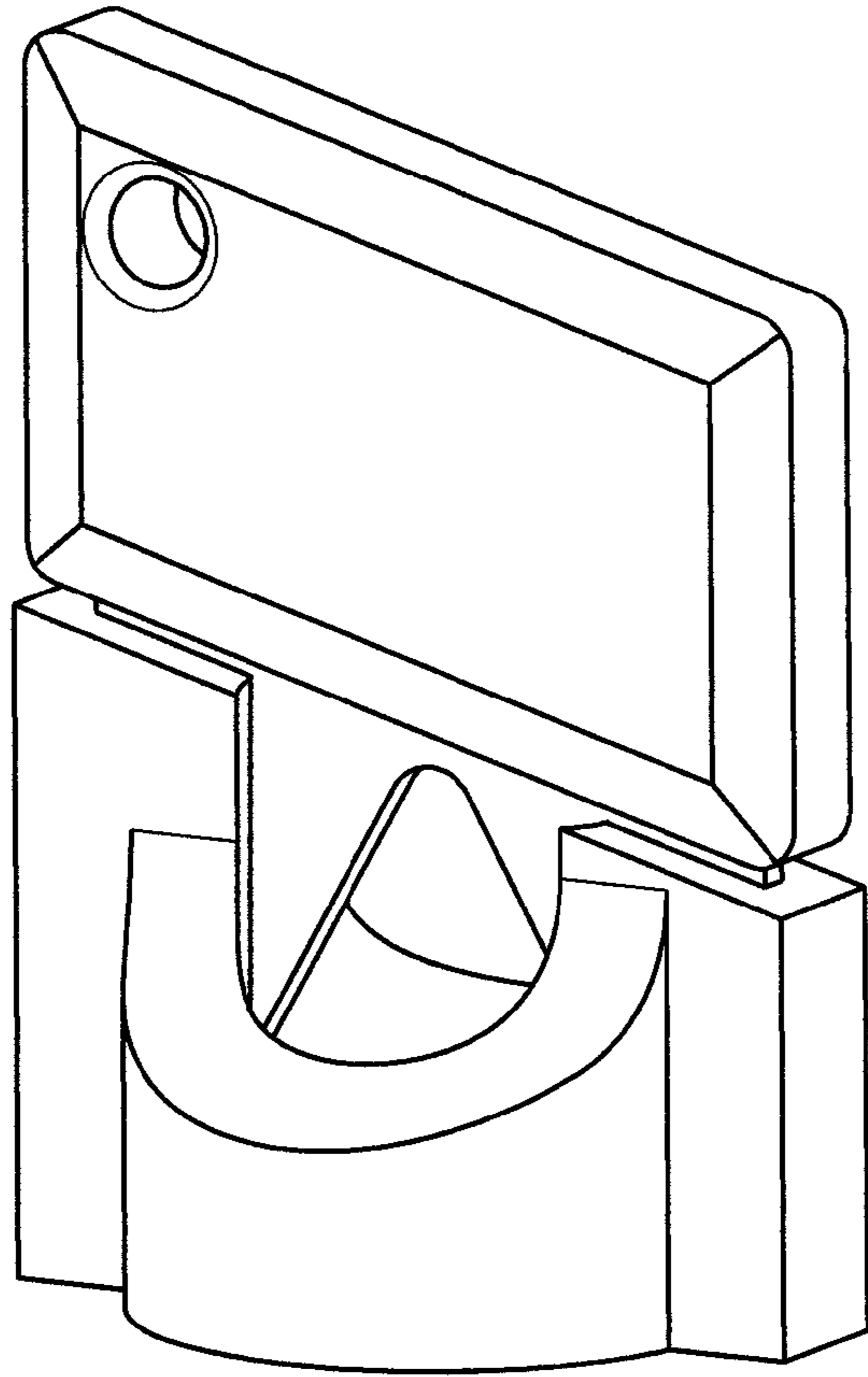


Fig. 1

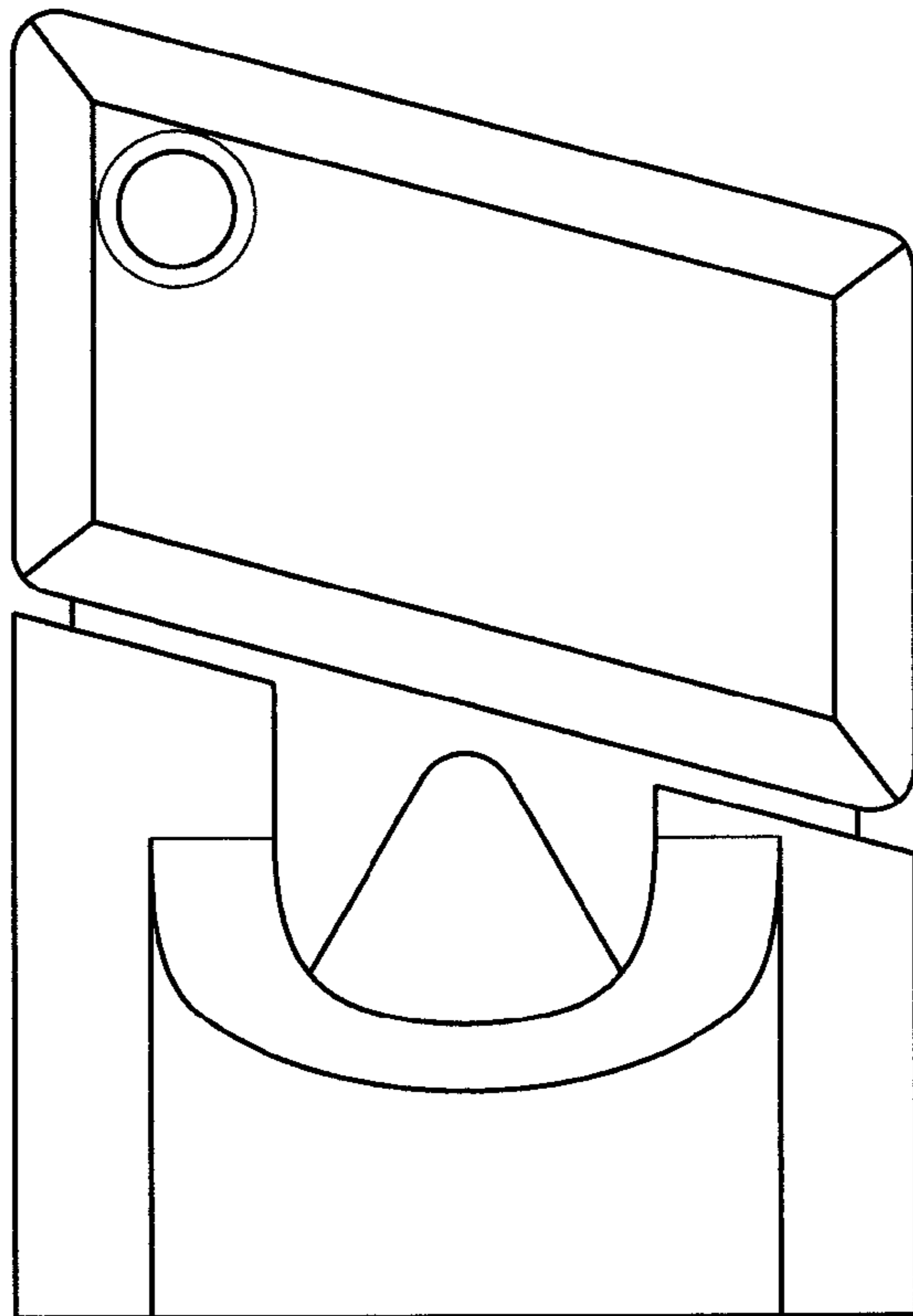


Fig. 2

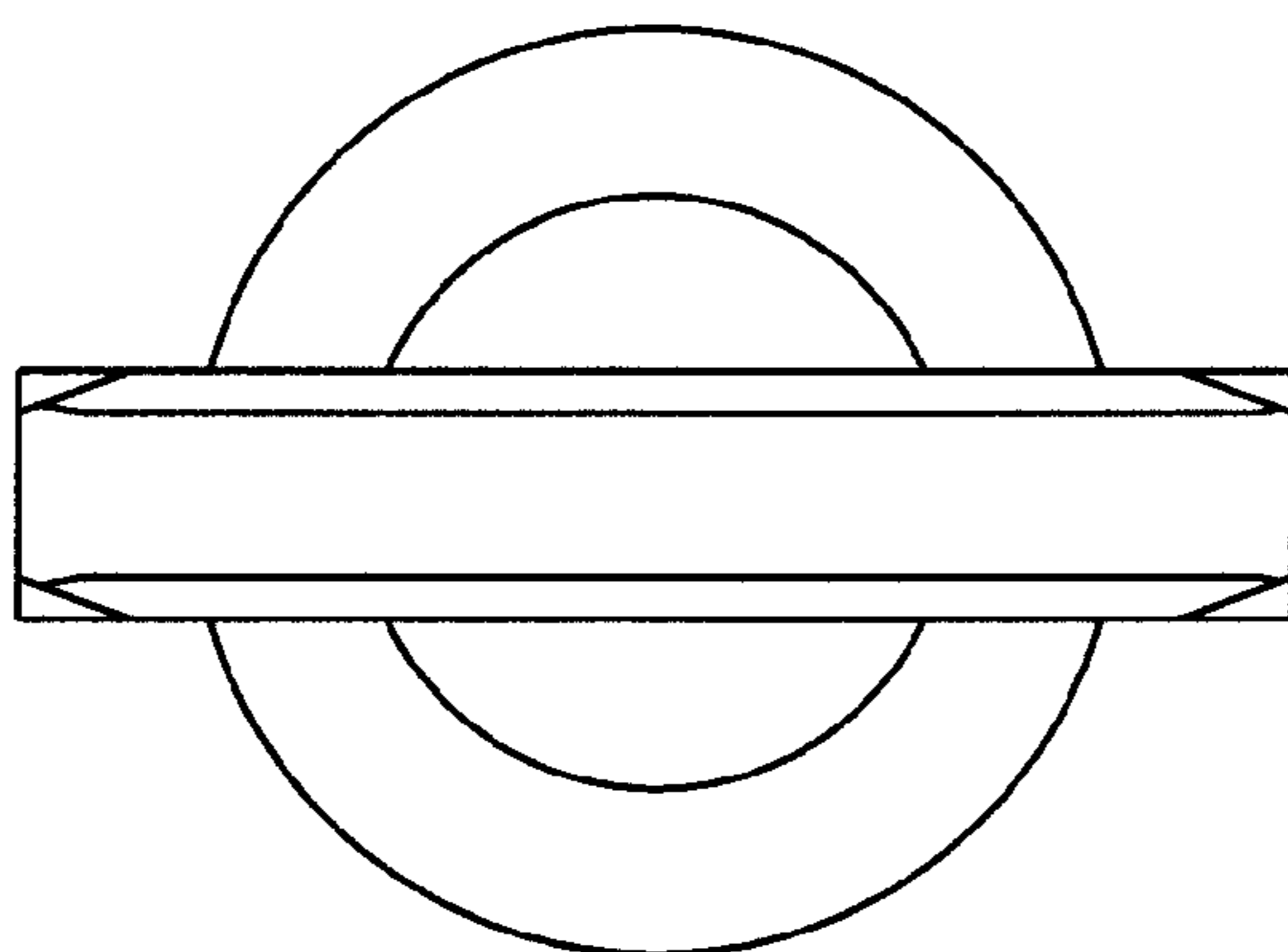


Fig. 3

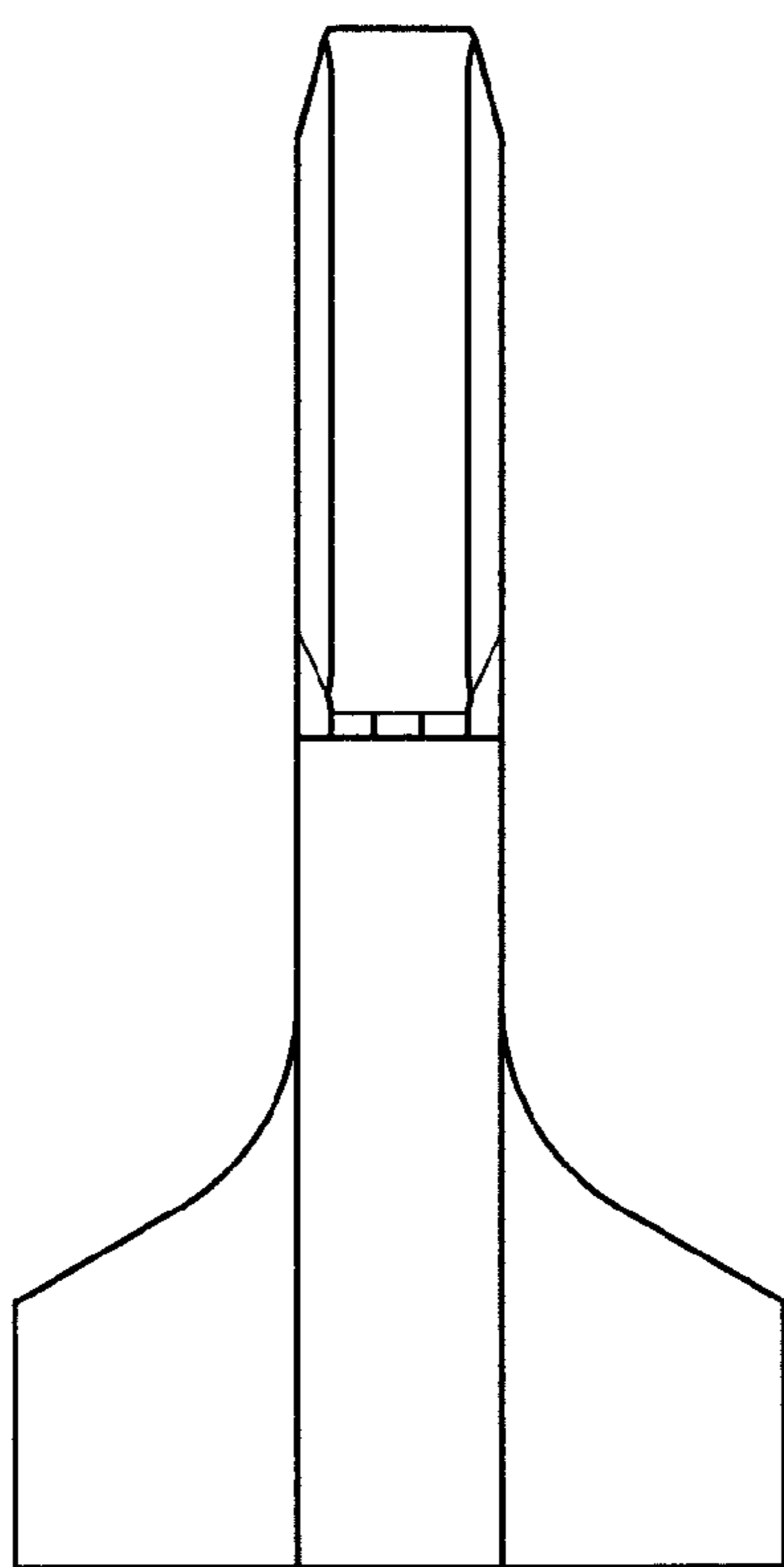


Fig. 4

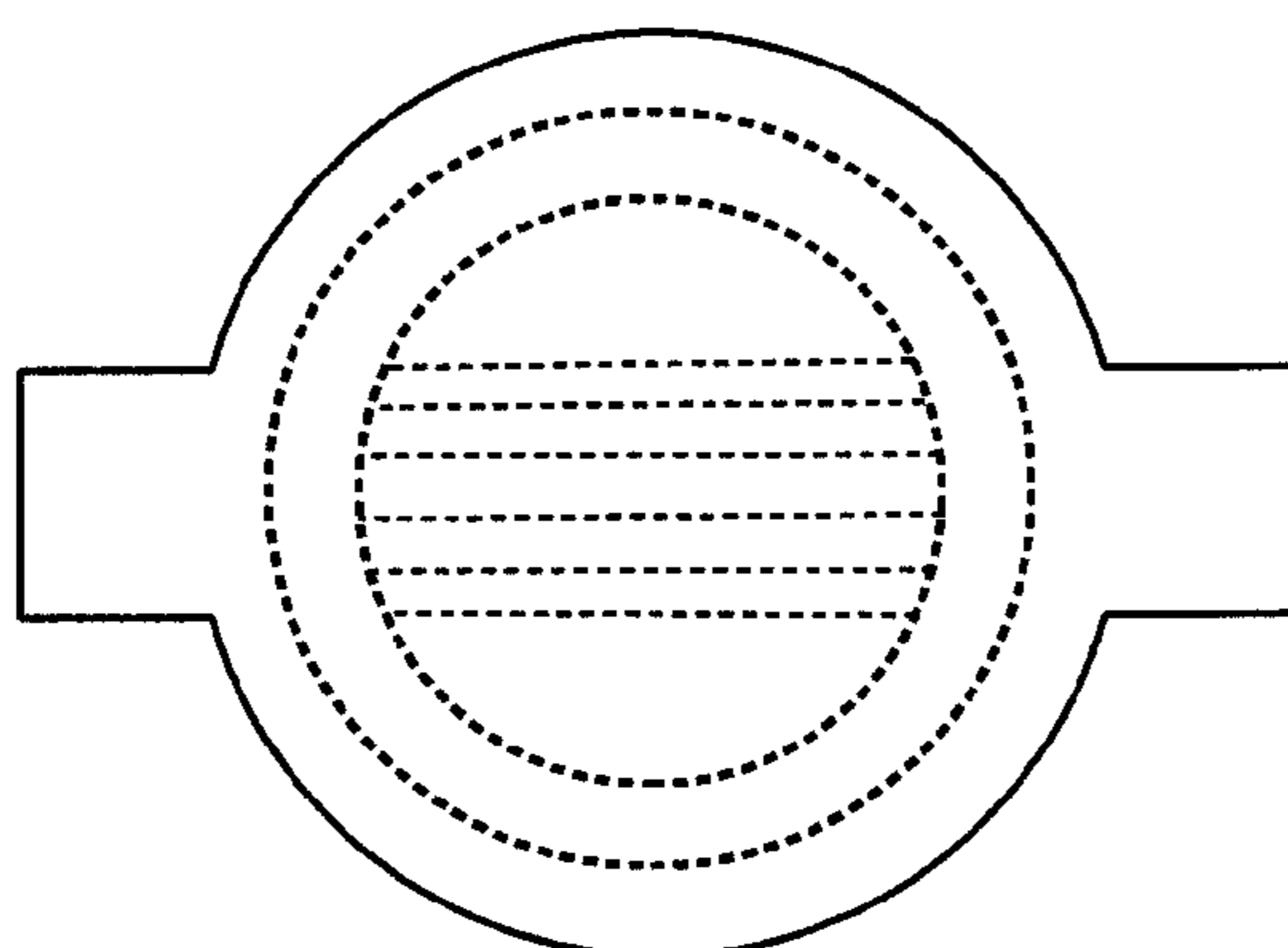


Fig. 5