



US00D591137S

(12) **United States Design Patent**
Beckley

(10) **Patent No.:** **US D591,137 S**
(45) **Date of Patent:** **** Apr. 28, 2009**

(54) **CABINET PULL**

(75) Inventor: **Anthony P. Beckley**, Stratford (CA)

(73) Assignee: **Steelcase Development Corporation**,
Grand Rapids, MI (US)

(**) Term: **14 Years**

(21) Appl. No.: **29/280,571**

(22) Filed: **May 31, 2007**

(51) **LOC (9) Cl.** **08-06**

(52) **U.S. Cl.** **D8/308**

(58) **Field of Classification Search** D8/308,
D8/320, DIG. 3, 307, 14, 18, 20, 23, 40,
D8/301, 302; D23/252; 16/110.1; 7/169,
7/170; 248/227.1, 225.11, 215, 216.1; 74/519,
74/523, 532, 535, 551.7, 529; 15/236.01
See application file for complete search history.

(56) **References Cited**

U.S. PATENT DOCUMENTS

646,835 A	4/1900	Jackson	
D82,598 S	11/1930	Brownell	
1,798,809 A	3/1931	Randall	
D84,756 S	7/1931	Ruppel	
D100,722 S	8/1936	Snyder et al.	
D111,013 S	8/1938	Carlson	
D115,670 S	7/1939	Hollindale	
D117,908 S	12/1939	Morgan	
D121,901 S *	8/1940	Rice	D8/18
D126,551 S	4/1941	Borchers	
D127,681 S	6/1941	Hodgman	
D131,217 S	1/1942	Braun	
D151,345 S	10/1948	Haviland	
D162,504 S	3/1951	Adkinson	
D163,264 S	5/1951	Drewitz	
2,693,639 A *	11/1954	Seabury, II	30/450
D175,851 S *	10/1955	Ohno	D8/302
2,765,530 A *	10/1956	Kohnen	30/450

D181,822 S	12/1957	Taubman	
D186,801 S	12/1959	Gehrie et al.	
D196,711 S	10/1963	Maffei	
3,178,747 A *	4/1965	Peterson	15/236.01
D222,427 S *	10/1971	Deuring, Jr.	D8/308
D227,069 S	6/1973	Webb	
D236,779 S	9/1975	Nowak	
D239,350 S	3/1976	Vogt	
D243,377 S	2/1977	Moore	
D261,904 S	11/1981	Polhemus	
D275,431 S	9/1984	Usab	
D281,299 S	11/1985	Esslinger	

(Continued)

Primary Examiner—Paula Greene

(74) *Attorney, Agent, or Firm*—Quarles & Brady, LLP

(57) **CLAIM**

The ornamental design for a cabinet pull, as shown and described.

DESCRIPTION

In a preferred embodiment, the nature of this product is a pull for a cabinet door.

FIG. 1 is a front, left, upper perspective view of a cabinet pull embodying my new design;

FIG. 2 is a top plan view thereof, the bottom plan view being a mirror image thereof;

FIG. 3 is a front elevational view thereof;

FIG. 4 is a left side elevational view thereof;

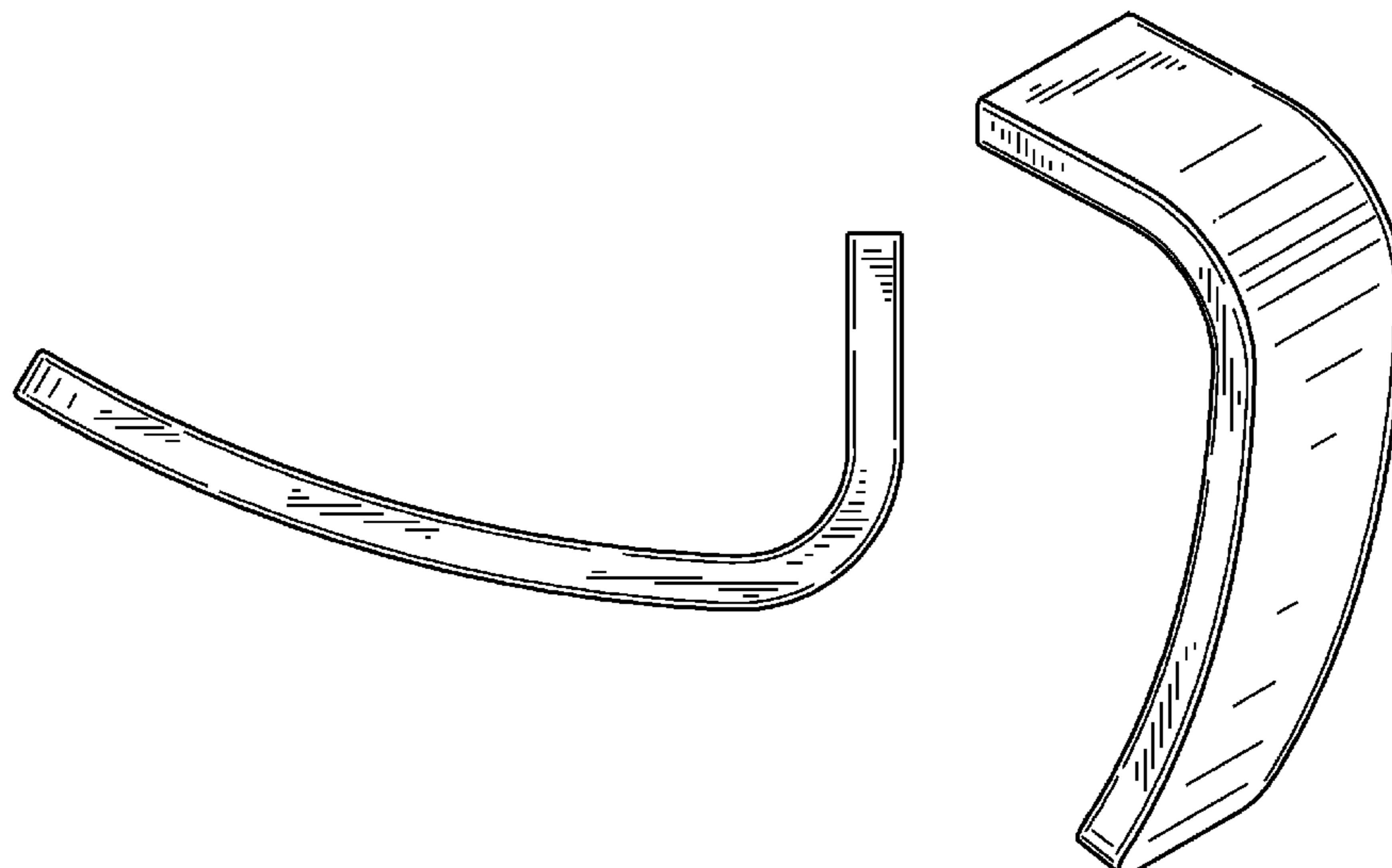
FIG. 5 is a right side elevational view thereof;

FIG. 6 is a rear elevational view thereof; and,

FIG. 7 is a front, left, upper perspective view of the cabinet pull shown in an alternate vertical position.

The broken line representations of mounting holes in FIG. 6 are for the purpose of illustration only, and form no part of the claimed design.

1 Claim, 3 Drawing Sheets



US D591,137 S

Page 2

U.S. PATENT DOCUMENTS

D303,751 S	*	10/1989	Kunna et al.	D8/18	D424,833 S	5/2000	Zaidman		
D305,708 S		1/1990	Newhouse		D431,733 S	10/2000	Zimmerman		
D306,383 S		3/1990	Strater		6,146,046 A	11/2000	Oberle		
D311,829 S		11/1990	Vossought		D437,708 S	2/2001	Bargmann et al.		
D311,833 S		11/1990	Newhouse		D449,181 S	10/2001	Story et al.		
D332,386 S		1/1993	Plummer		D466,723 S	12/2002	Heidmann et al.		
D342,173 S		12/1993	Kirchner et al.		6,550,875 B1	4/2003	Compton et al.		
D346,712 S		5/1994	Brunner et al.		D488,935 S	4/2004	Quintal		
D353,159 S		12/1994	Kirchner et al.		D492,507 S	7/2004	Moon et al.		
D372,851 S		8/1996	Chen		D495,230 S	8/2004	Madlem et al.		
D376,590 S		12/1996	Kao et al.		D498,499 S	11/2004	Fynn		
5,620,160 A		4/1997	Grabe		D552,216 S	*	10/2007	Haug et al. D23/252	
5,782,447 A	*	7/1998	Hoffend	248/227.1	D585,663 S	*	2/2009	Beckley	D6/437
5,833,190 A		11/1998	Bishop						

* cited by examiner

FIG. 1

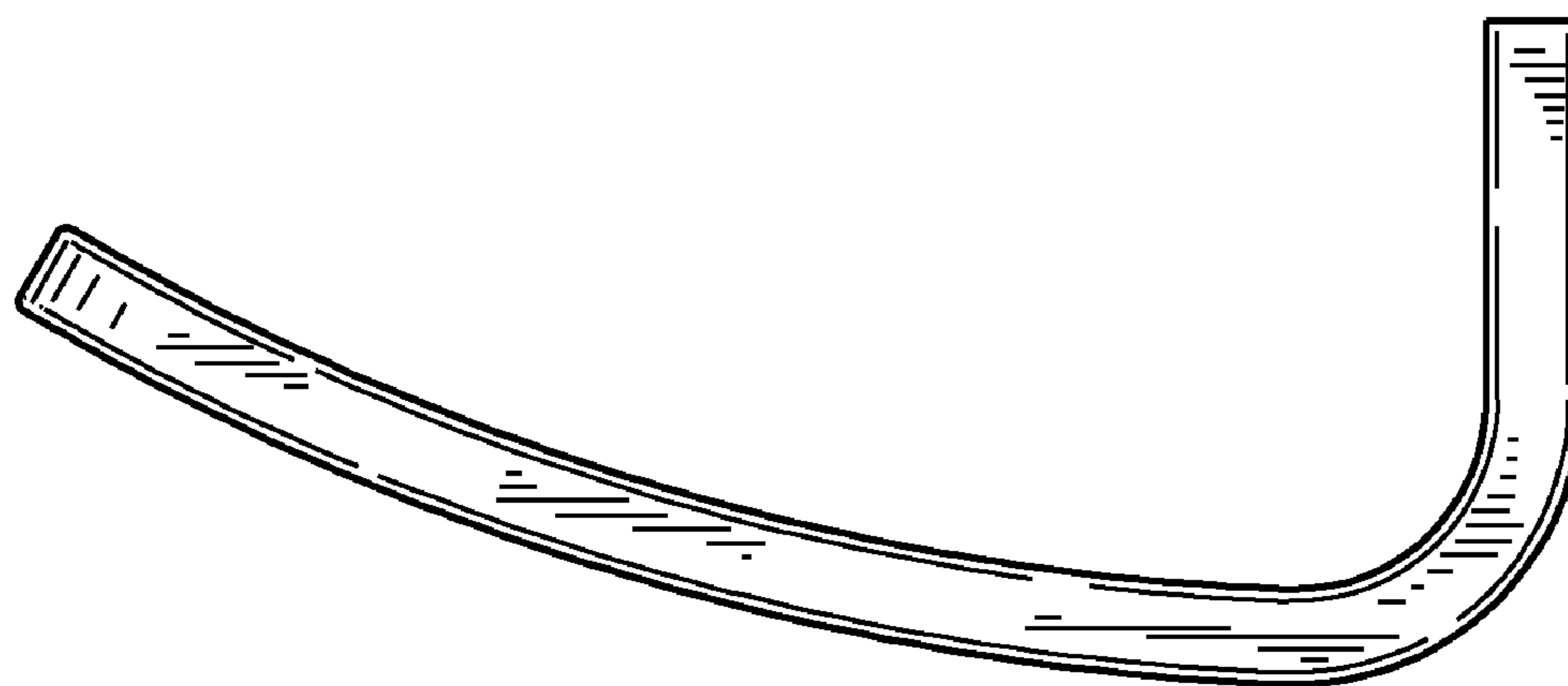
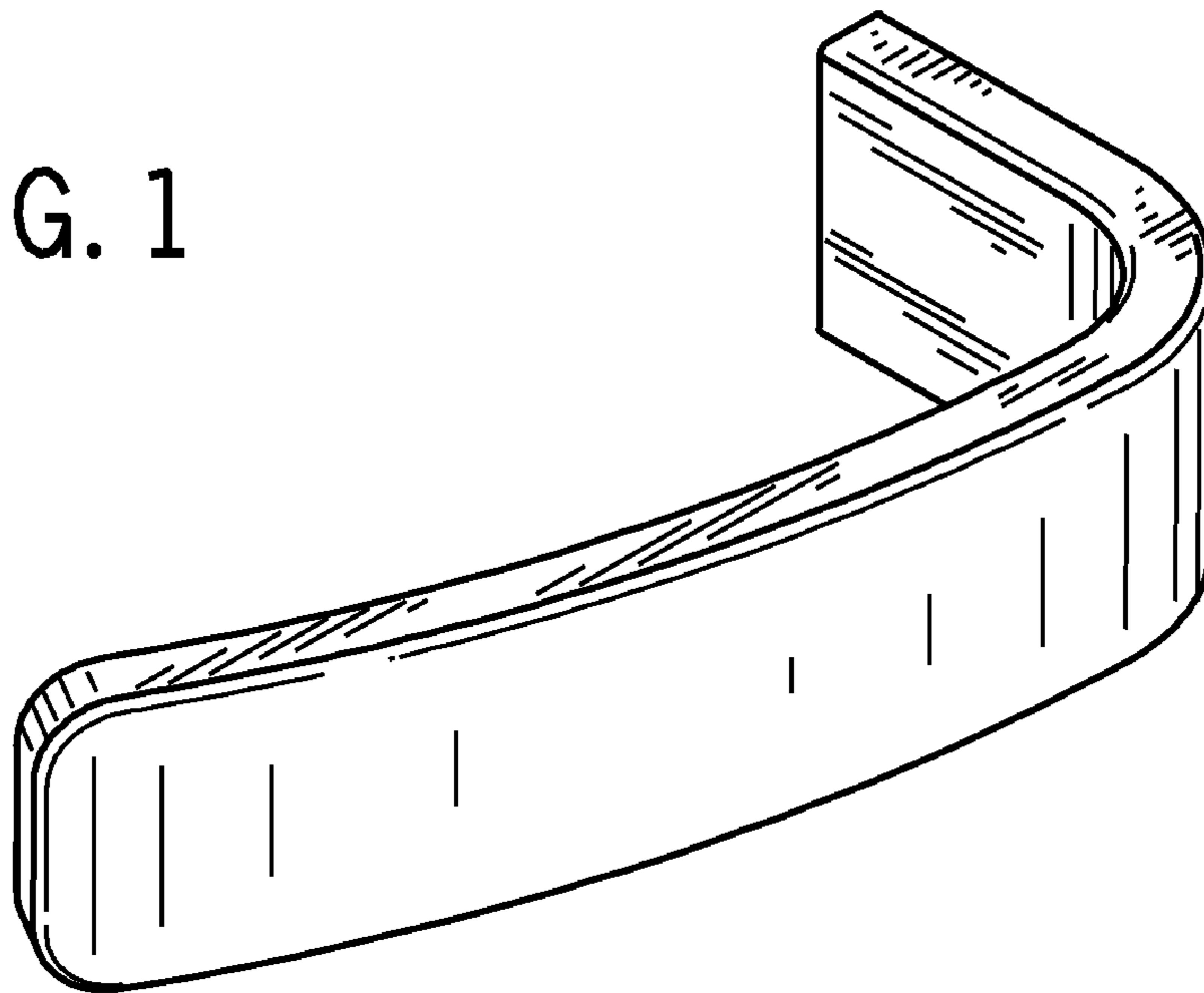


FIG. 2

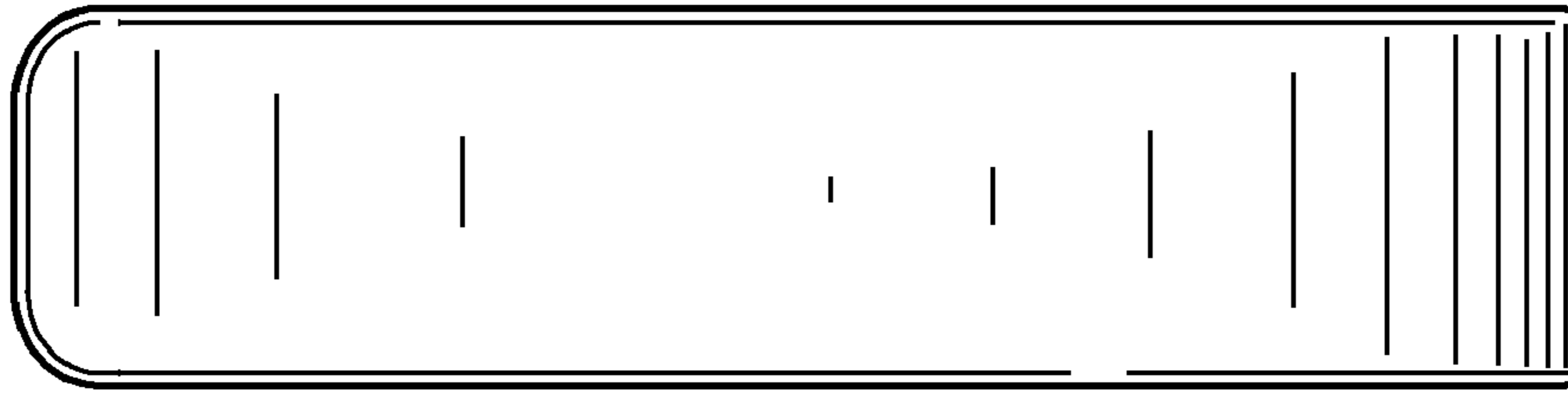


FIG. 3

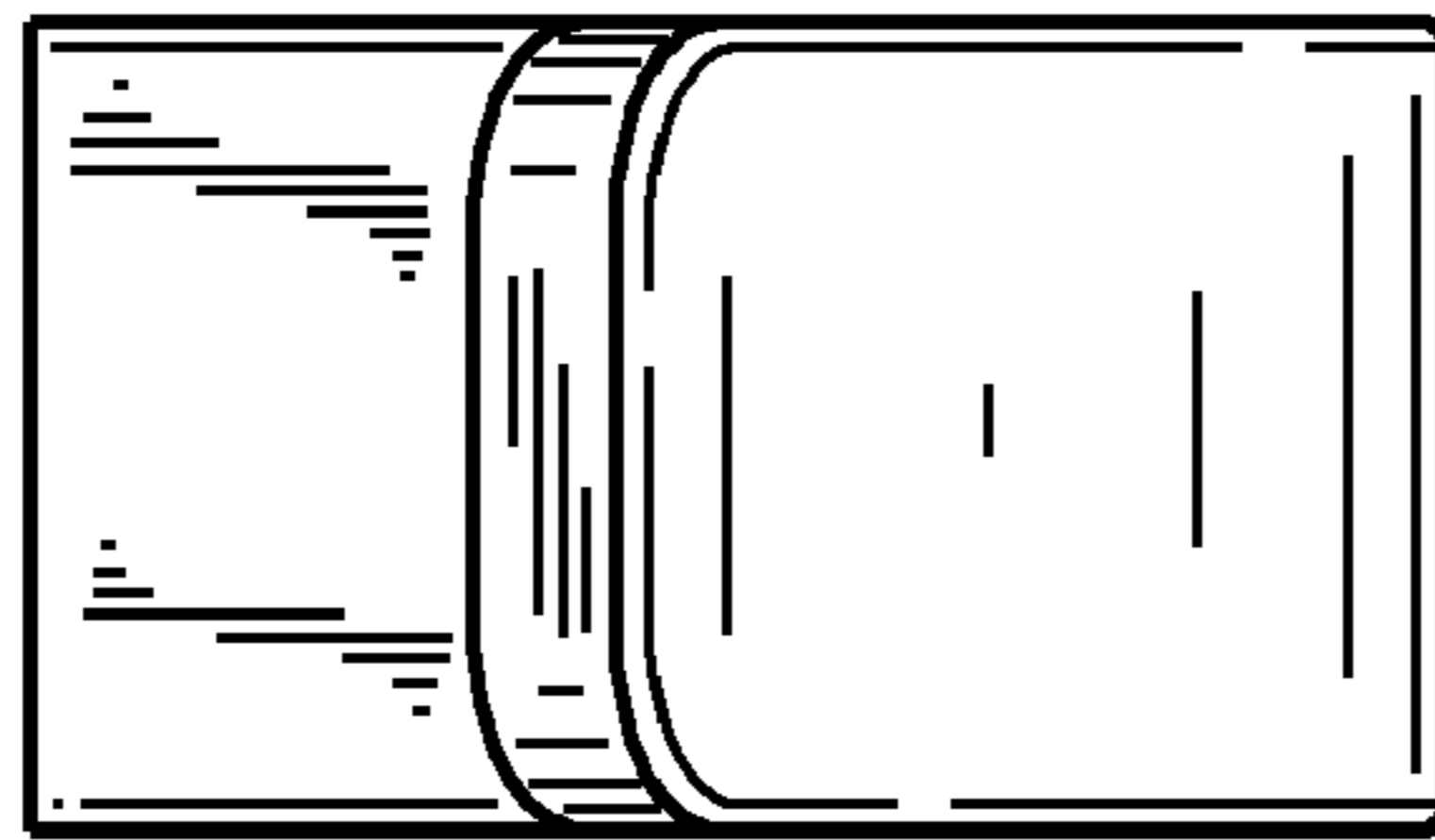


FIG. 4

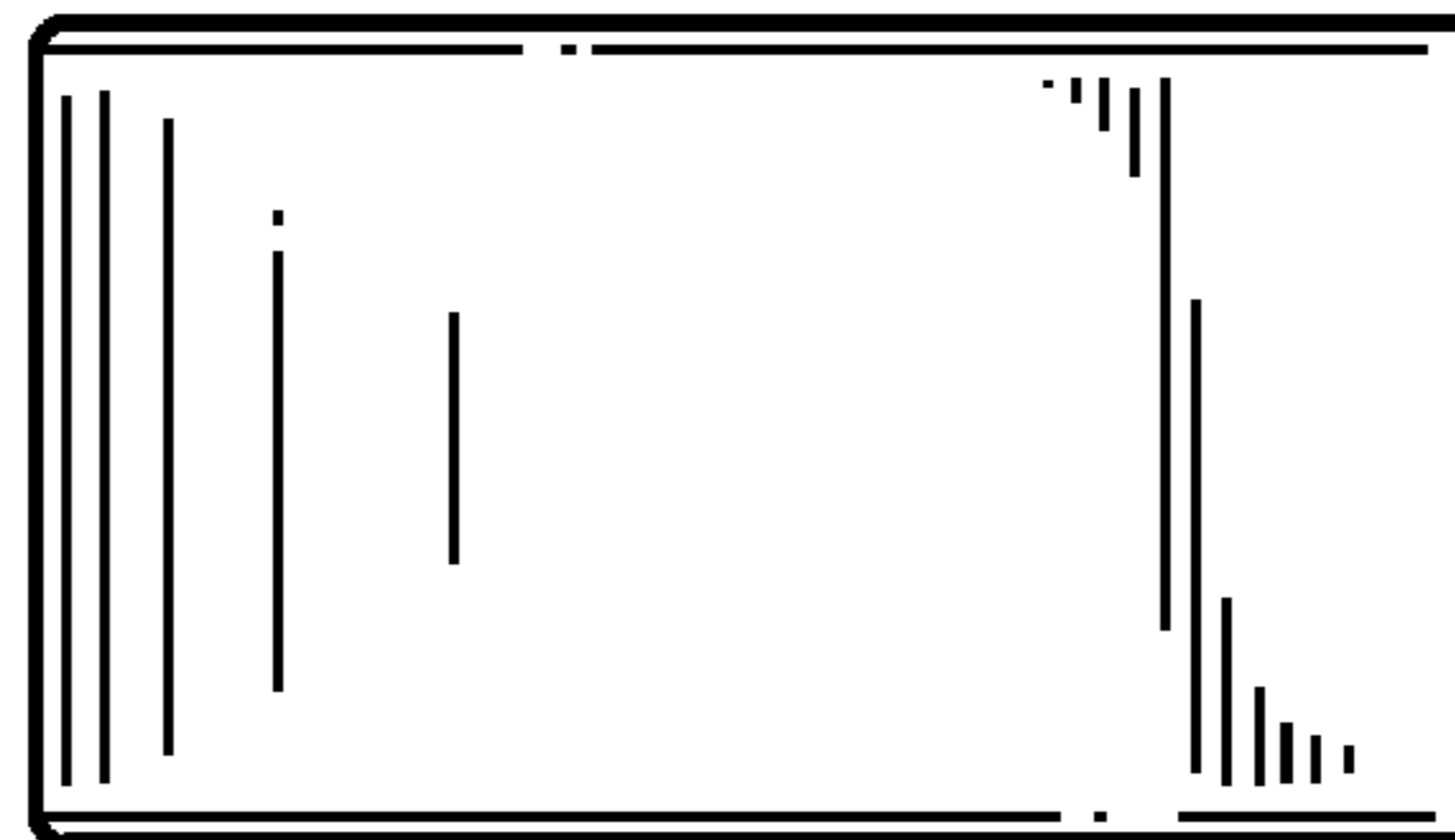


FIG. 5



FIG. 6

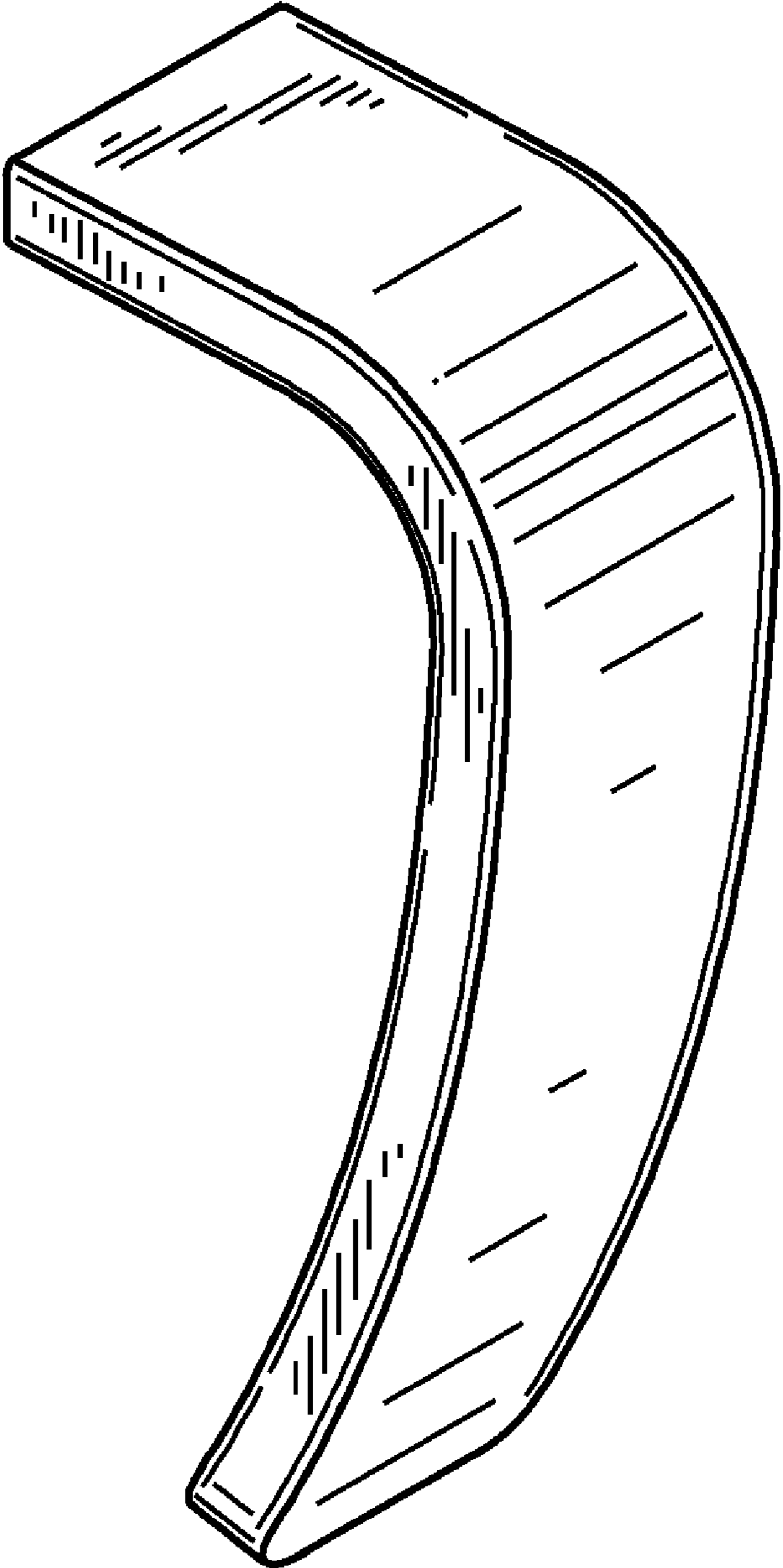


FIG. 7