



US00D591135S

(12) **United States Design Patent**
Wu

(10) **Patent No.:** **US D591,135 S**
(45) **Date of Patent:** **** Apr. 28, 2009**

(54) **RETRACTABLE UTILITY KNIFE**
(75) Inventor: **Xuemin Wu**, Shanghai (CN)
(73) Assignee: **JPJ Investment Holding Co.**, Carson City, NV (US)

D526,878 S * 8/2006 Ping D8/99
D543,822 S * 6/2007 Ping D8/99
D549,067 S * 8/2007 Groten D8/98
D552,955 S * 10/2007 Ping D8/99
D568,136 S * 5/2008 Ping D8/99

(**) Term: **14 Years**

* cited by examiner

(21) Appl. No.: **29/296,217**

Primary Examiner—Philip S Hyder
(74) *Attorney, Agent, or Firm*—Lackenbach Siegel LLP;
Myron Greenspan

(22) Filed: **Oct. 16, 2007**

(57) **CLAIM**

(51) **LOC (9) Cl.** **08-03**
(52) **U.S. Cl.** **D8/99**
(58) **Field of Classification Search** D8/98,
D8/99, 107; 30/155, 156, 157, 158, 159,
30/160, 161, 162, 329, 330; D22/118
See application file for complete search history.

I claim the ornamental design for a retractable utility knife, as shown and described.

(56) **References Cited**

DESCRIPTION

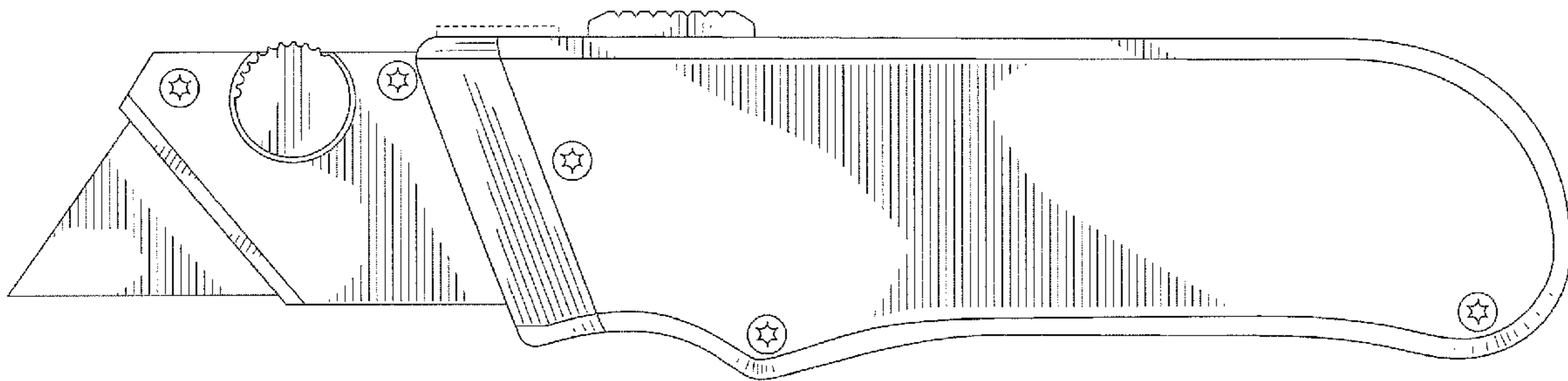
U.S. PATENT DOCUMENTS

6,688,003 B2 * 2/2004 Scarla 30/156
D494,437 S * 8/2004 Scarla D8/99
6,915,577 B2 * 7/2005 Scala 30/156
D509,724 S * 9/2005 Cook D8/99
6,951,055 B1 * 10/2005 Collins 30/162
D519,817 S * 5/2006 Wong D8/99
7,040,022 B2 * 5/2006 Ping 30/161
D522,835 S * 6/2006 Ping D8/99

FIG. 1 is a top plan view of a retractable utility knife showing my new design, shown in the extended condition thereof;
FIG. 2 is a left side elevational view thereof;
FIG. 3 is a bottom plan view thereof;
FIG. 4 is a right side elevational view thereof;
FIG. 5 is a front elevational view thereof; and,
FIG. 6 is a rear elevational view thereof.

The broken lines show portions of the retractable utility knife that form no part of the claimed design.

1 Claim, 6 Drawing Sheets



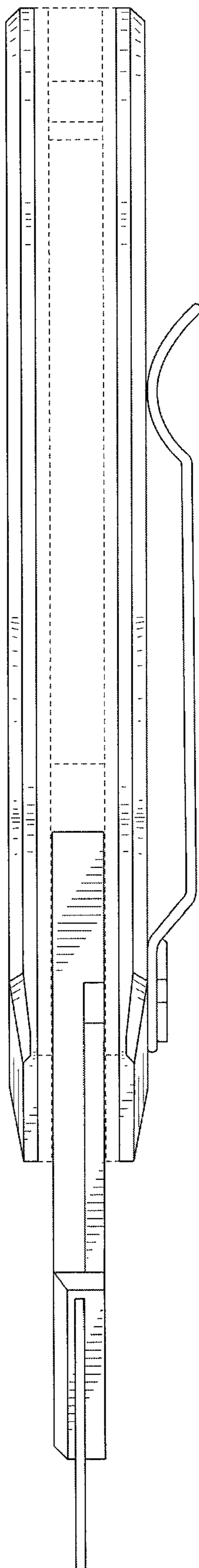


FIG. 1

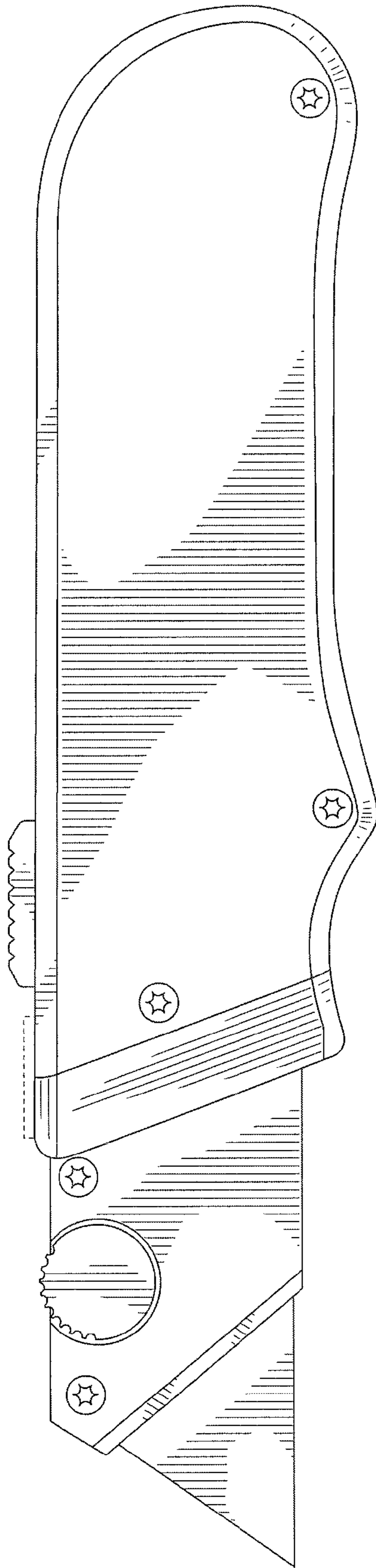


FIG. 2

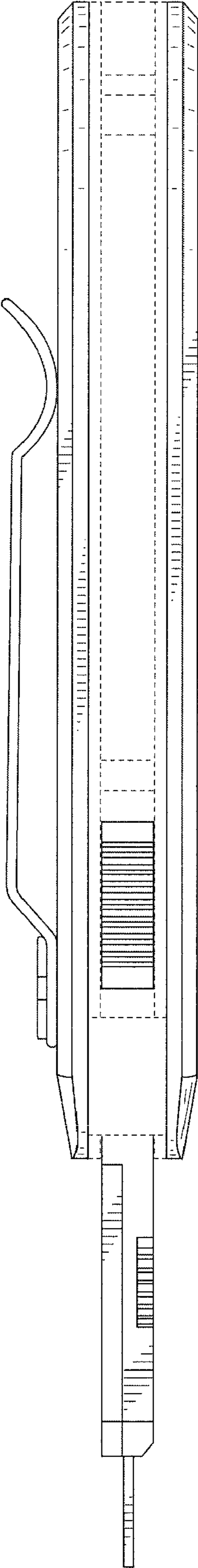


FIG. 3

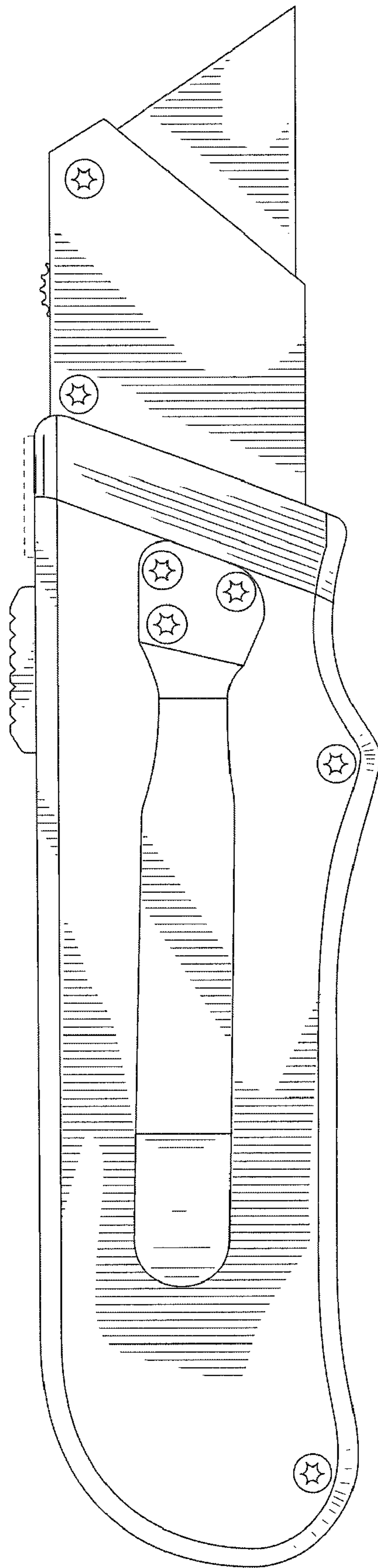


FIG. 4

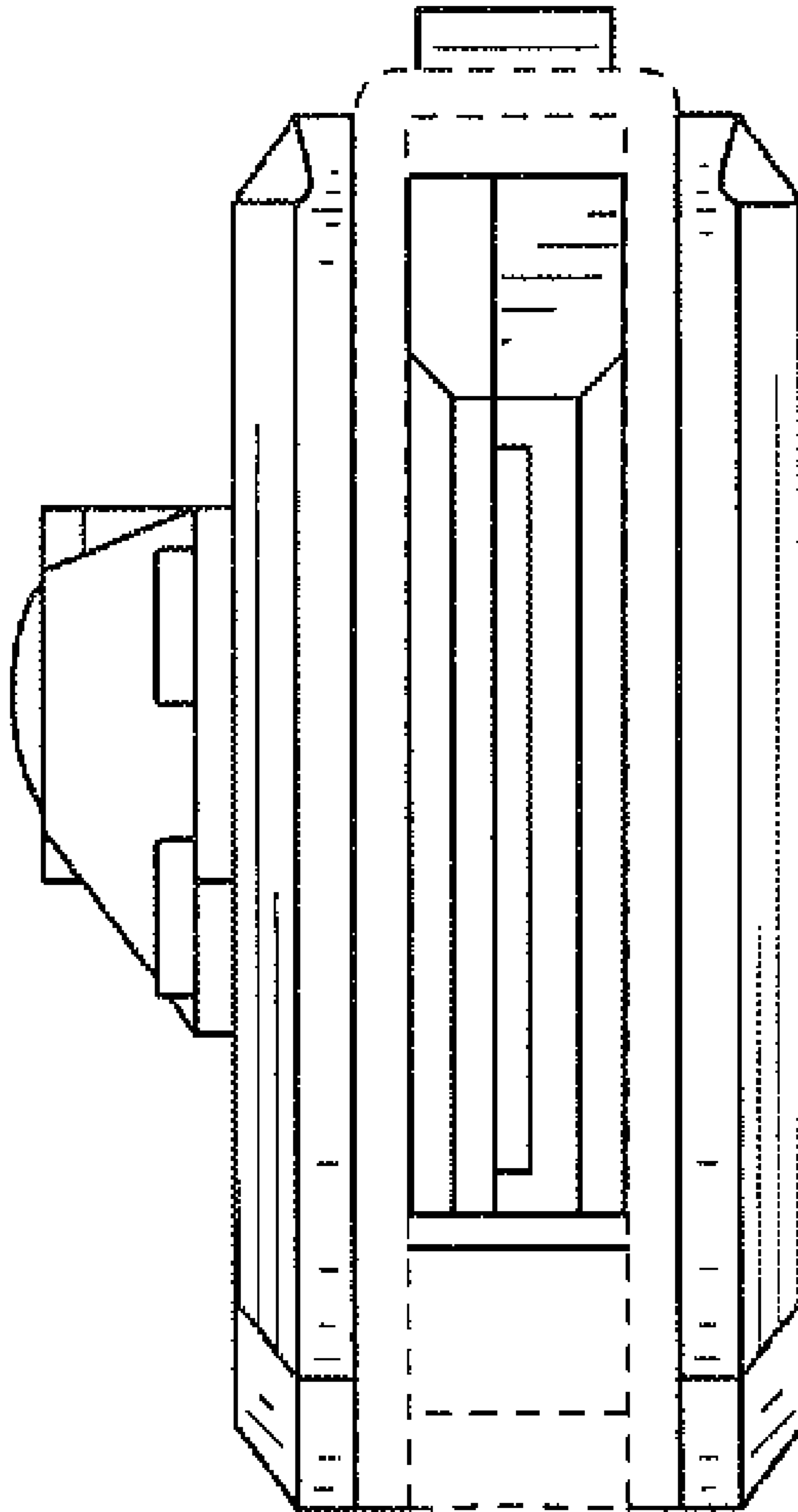


FIG. 5

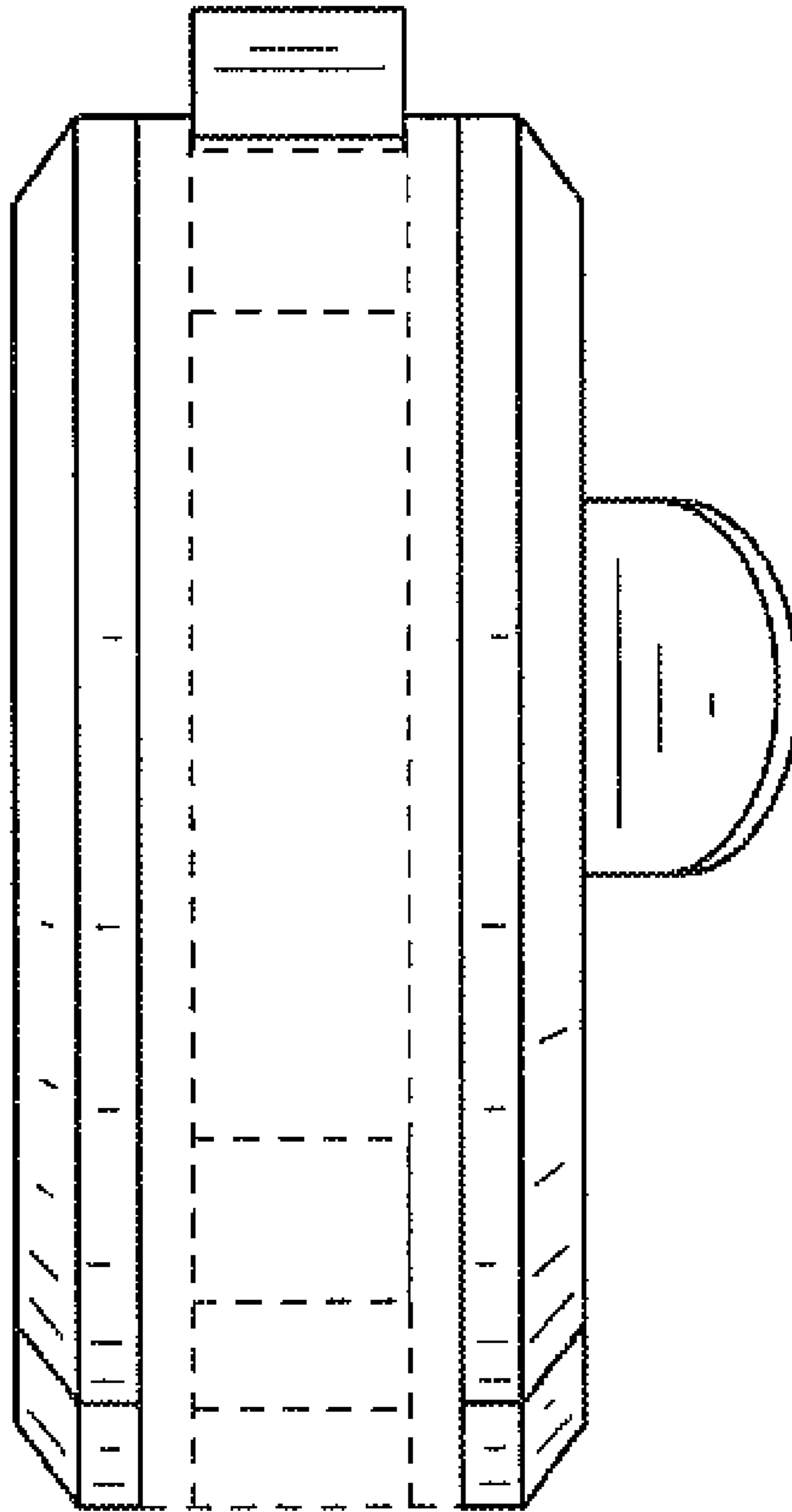


FIG. 6