



US00D591134S

(12) **United States Design Patent**
Darbinyan

(10) **Patent No.:** **US D591,134 S**

(45) **Date of Patent:** **** Apr. 28, 2009**

(54) **EXTENDABLE UTILITY BAR**

D568,124 S * 5/2008 Stevens, Sr. D8/14

(75) Inventor: **Hrayr Darbinyan**, Yerevan (AM)

* cited by examiner

(73) Assignee: **JPJ Investment Holding Co.**, Carson City, NV (US)

Primary Examiner—Philip S Hyder

(74) *Attorney, Agent, or Firm*—Lackebach Siegel LLP; Myron Greenspan

(**) Term: **14 Years**

(57) **CLAIM**

(21) Appl. No.: **29/296,223**

I claim the ornamental design for an extendable utility bar, as shown and described.

(22) Filed: **Oct. 16, 2007**

(51) **LOC (9) Cl.** **08-05**

(52) **U.S. Cl.** **D8/89**

(58) **Field of Classification Search** D8/14,
D8/88, 89; 254/18, 21, 25, 129, 130, 131
See application file for complete search history.

DESCRIPTION

FIG. 1 is a left side elevational view of an extendable utility bar in accordance with the invention, shown in its extended condition;

FIG. 2 is a top plan view thereof;

FIG. 3 is a right side elevational view thereof;

FIG. 4 is a bottom plan view thereof;

FIG. 5 is a left end elevational view thereof;

FIG. 6 is a right end elevational view thereof; and,

FIGS. 7–12 are the same views of the extendable utility bar as shown in FIGS. 1–6, respectively, but showing the extendable utility bar in its retracted or collapsed condition.

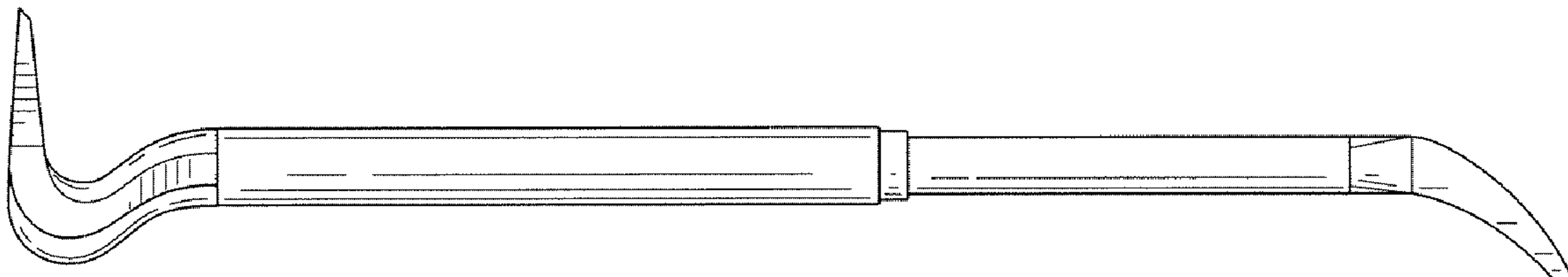
The broken lines shown in the drawings are for illustrative purposes only and form no part of the claimed design.

(56) **References Cited**

U.S. PATENT DOCUMENTS

1,486,820	A *	3/1924	Wilder	254/25
1,508,489	A *	9/1924	Vlcek	254/25
2,210,602	A *	8/1940	Scott	254/131
5,957,429	A *	9/1999	Khachatoorian	254/25
D442,840	S *	5/2001	Waddell	D8/89
6,257,553	B1 *	7/2001	Khachatoorian	254/25
6,308,934	B1 *	10/2001	Gallo	254/25
6,488,266	B2 *	12/2002	Macor	254/25
D493,086	S *	7/2004	Taylor et al.	D8/89
6,948,700	B2 *	9/2005	Wood	254/25

1 Claim, 2 Drawing Sheets



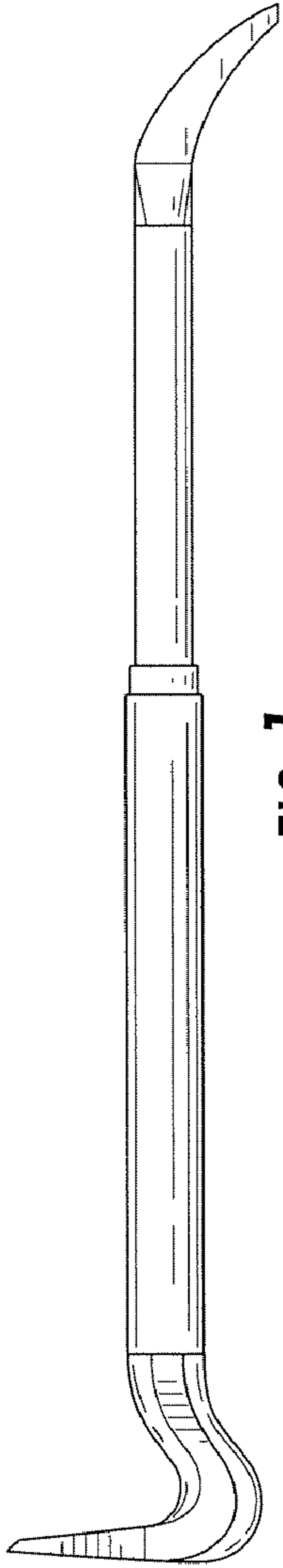


FIG. 1

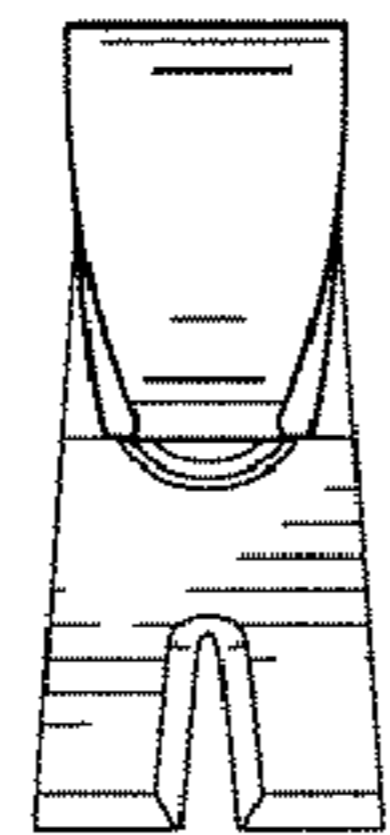


FIG. 5

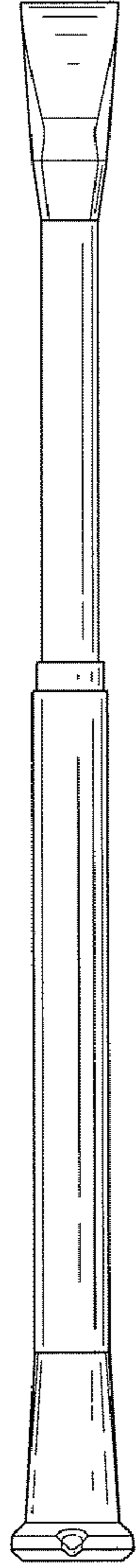


FIG. 2

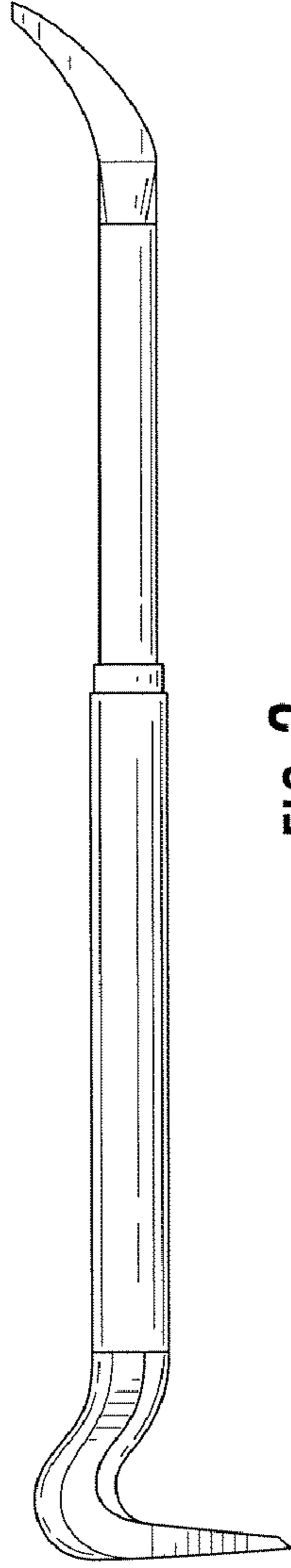


FIG. 3

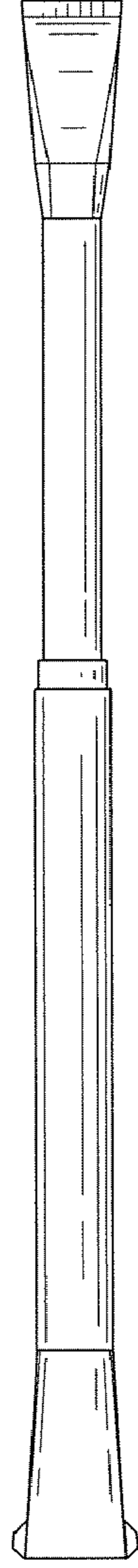


FIG. 4

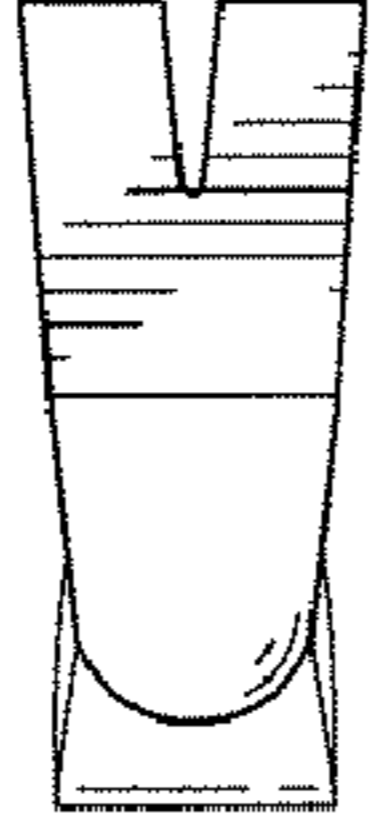


FIG. 6

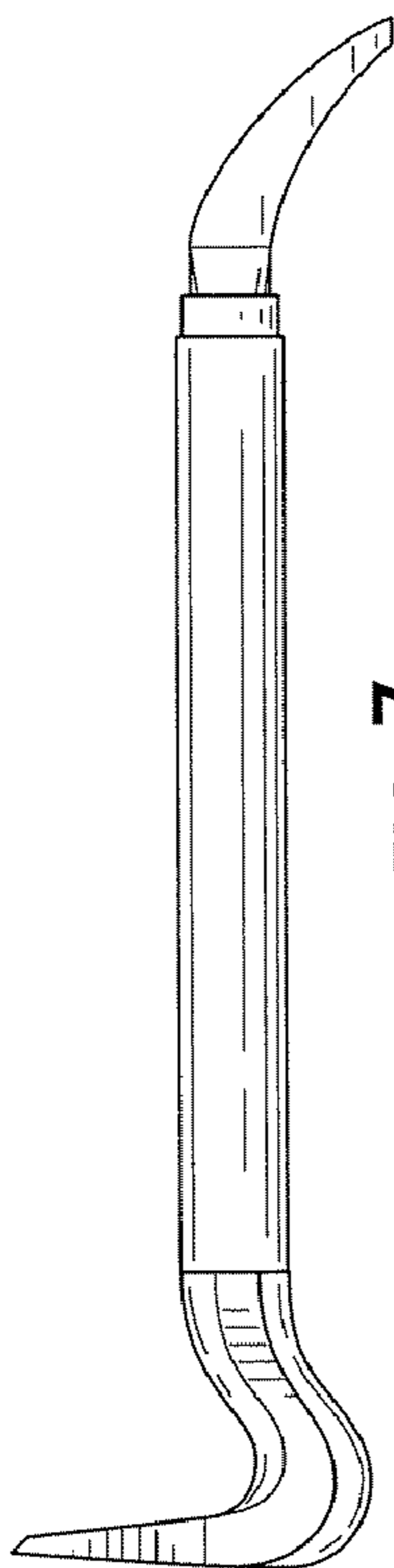


FIG. 7

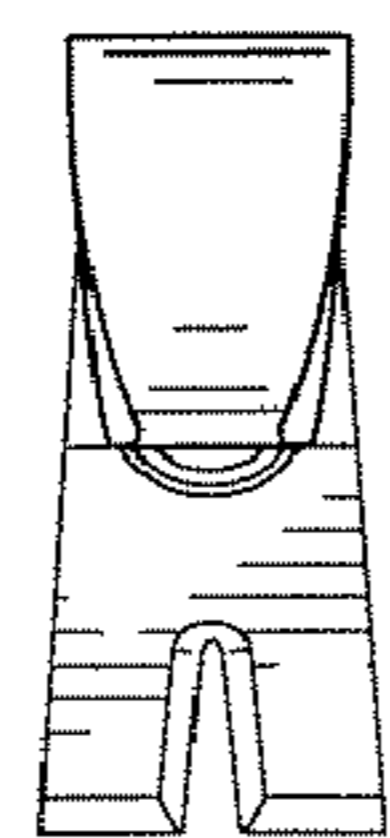


FIG. 11

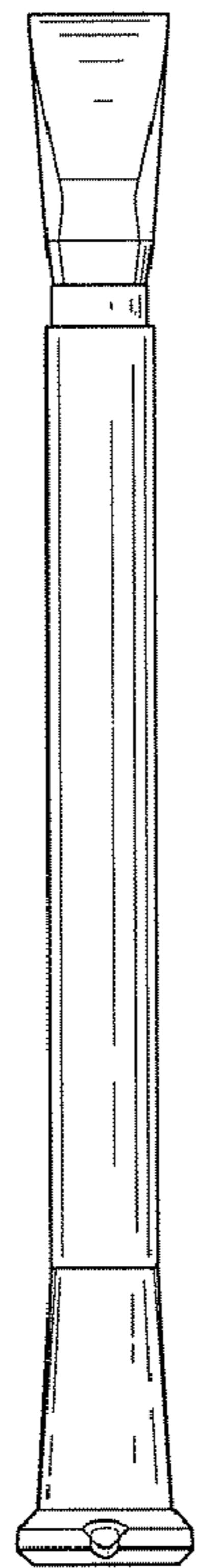


FIG. 8

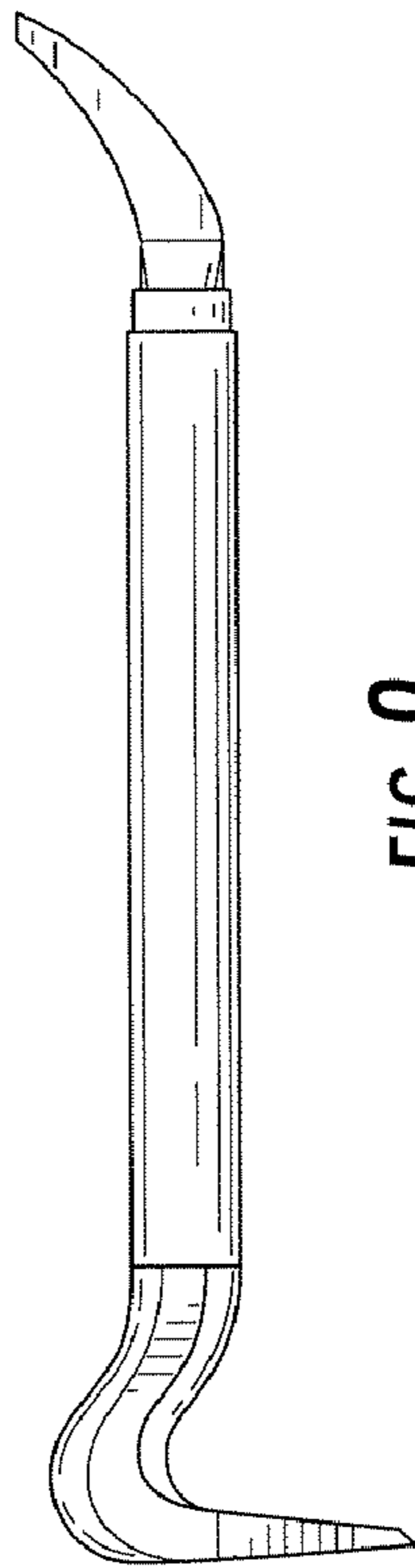


FIG. 9

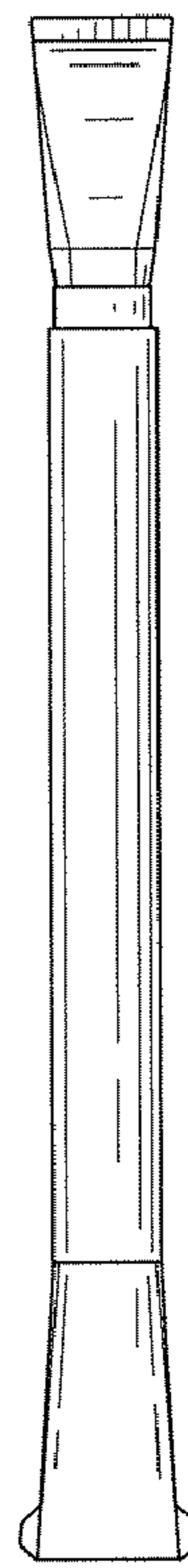


FIG. 10

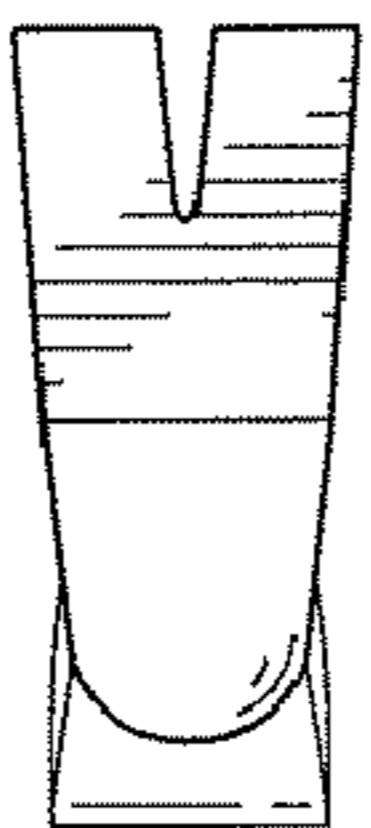


FIG. 12