



US00D591132S

(12) **United States Design Patent**
Fischer-Zernin

(10) **Patent No.:** **US D591,132 S**
(45) **Date of Patent:** **** Apr. 28, 2009**

(54) **TACKER**

(75) Inventor: **Suzanne Fischer-Zernin**, Hamburg
(DE)

(73) Assignee: **Joh. Friedrich Behrens Ag**, Ahrensburg
(DE)

(**) Term: **14 Years**

(21) Appl. No.: **29/306,740**

(22) Filed: **Apr. 15, 2008**

(30) **Foreign Application Priority Data**

Nov. 5, 2007 (EM) 000821228

(51) **LOC (9) Cl.** **08-05**

(52) **U.S. Cl.** **D8/69**

(58) **Field of Classification Search** D8/68-69;
81/57.11, 429, 454, 455, 456, 469, 489; 173/13,
173/104, 114, 168, 169-171, 178, 201, 211,
173/213, 217; 408/20, 124, 125, 234, 241 R;
451/358; 310/50; 227/113, 114, 120, 130,
227/136, 142

See application file for complete search history.

(56) **References Cited**

U.S. PATENT DOCUMENTS

D497,299 S * 10/2004 Matsuoka et al. D8/69
7,225,768 B2 * 6/2007 Akiba et al. 227/130

7,328,826 B2 * 2/2008 Shkolnikov 227/8
7,334,715 B2 * 2/2008 Oda et al. 227/2
D575,127 S * 8/2008 Buck D8/69
D575,607 S * 8/2008 Buck D8/69

OTHER PUBLICATIONS

Powers Wood-to-Wood—undated competitor's product.
Hitachi Wood-to-Wood—undated competitor's product.
Paslode IM 350—undated competitor's product.
Powers Track—undated competitor's product.

* cited by examiner

Primary Examiner—Antoine D Davis

(74) *Attorney, Agent, or Firm*—Vidas, Arrett & Steinkraus,
P.A.

(57) **CLAIM**

The ornamental design for a tacker, as shown and described.

DESCRIPTION

FIG. 1 is a frontal view of the invention described;
FIG. 2 is a right side view of the invention described;
FIG. 3 is a left side view of the invention described;
FIG. 4 is a rear view of the invention described;
FIG. 5 a top view of the invention described;
FIG. 6 a bottom view of the invention described; and,
FIG. 7 is a perspective view of the front and right side of the
invention described.

1 Claim, 7 Drawing Sheets

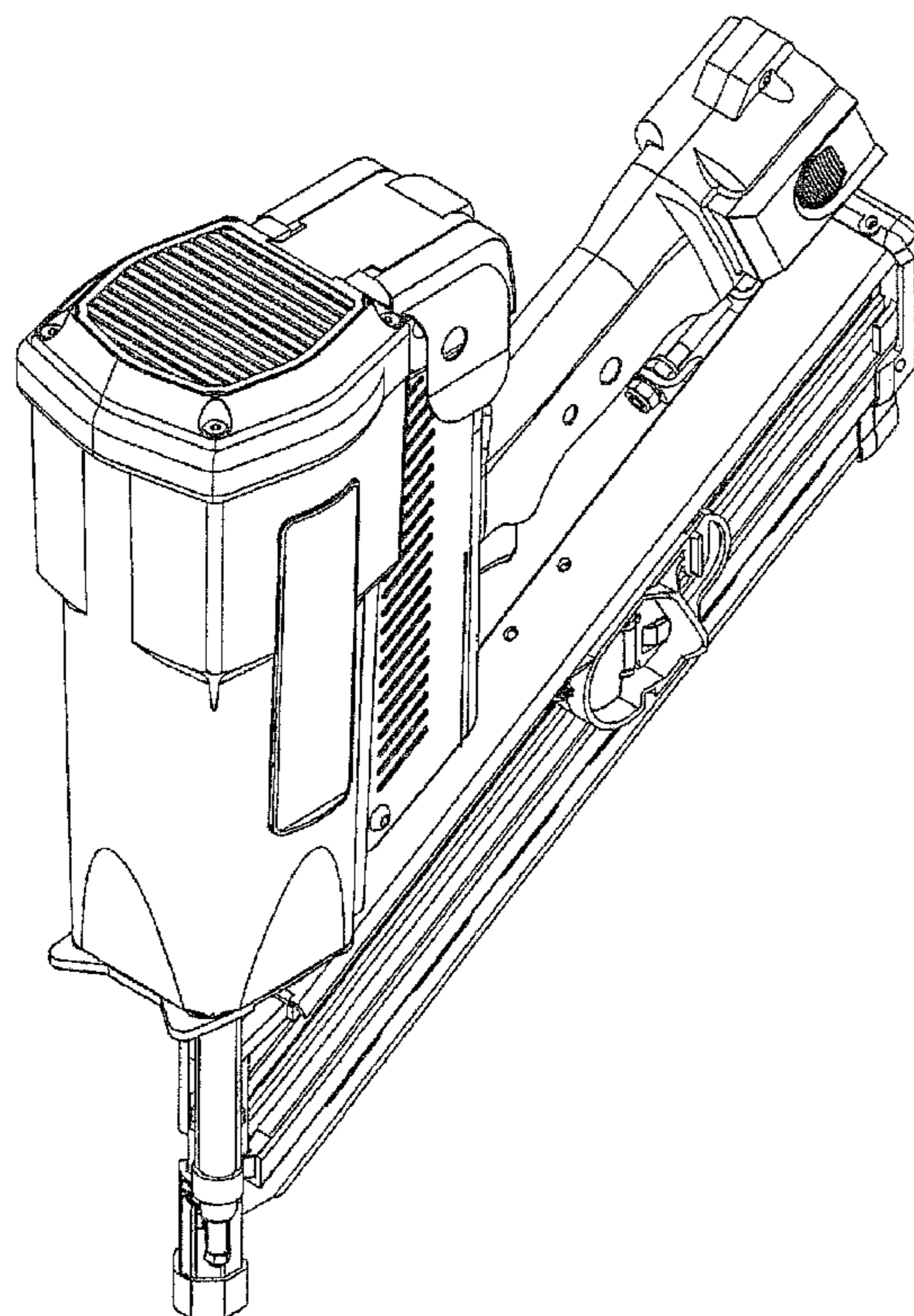


FIG. 1

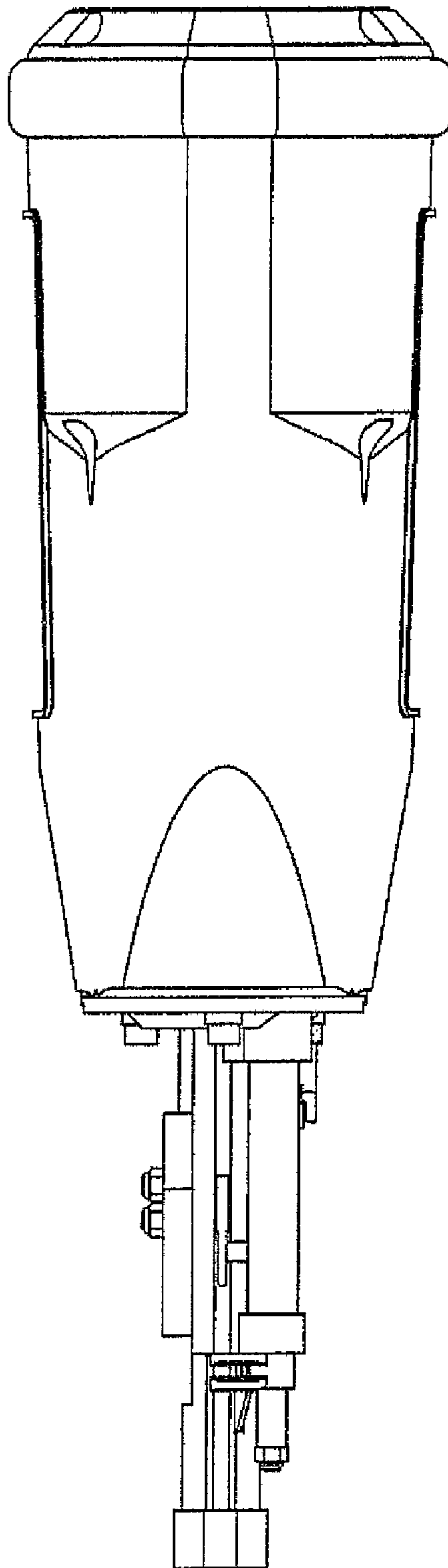


FIG. 2

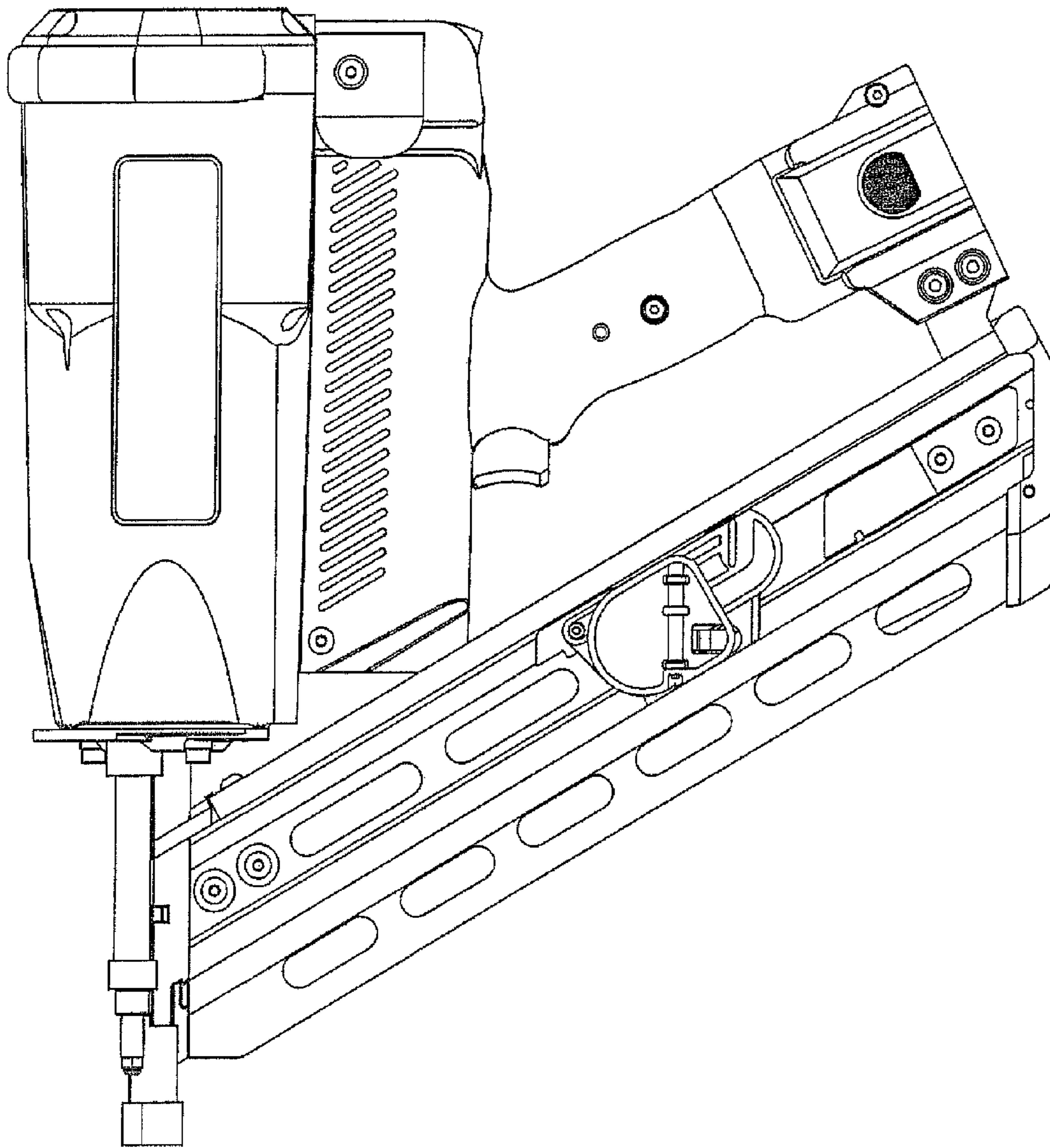


FIG. 3

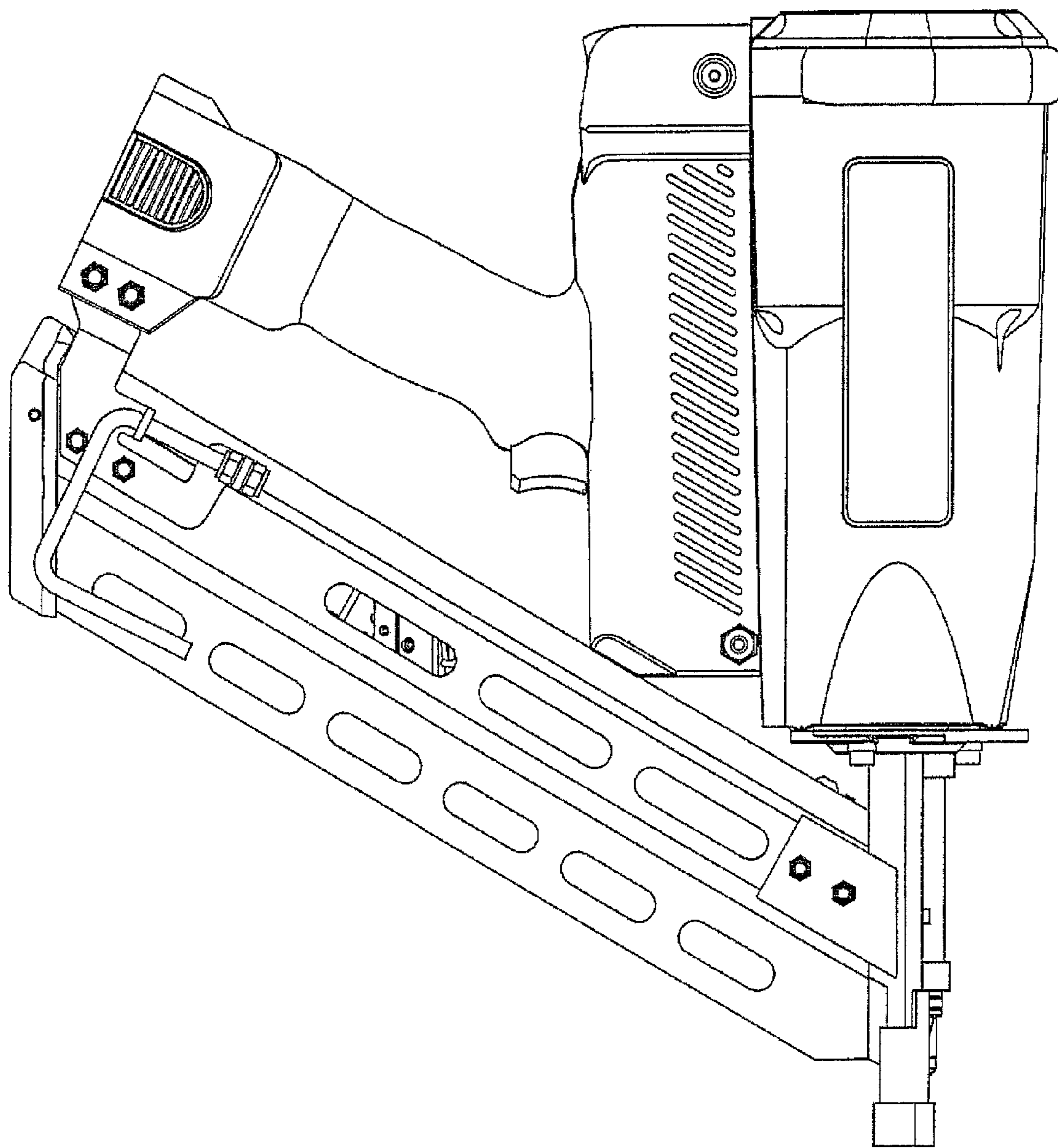


FIG. 4

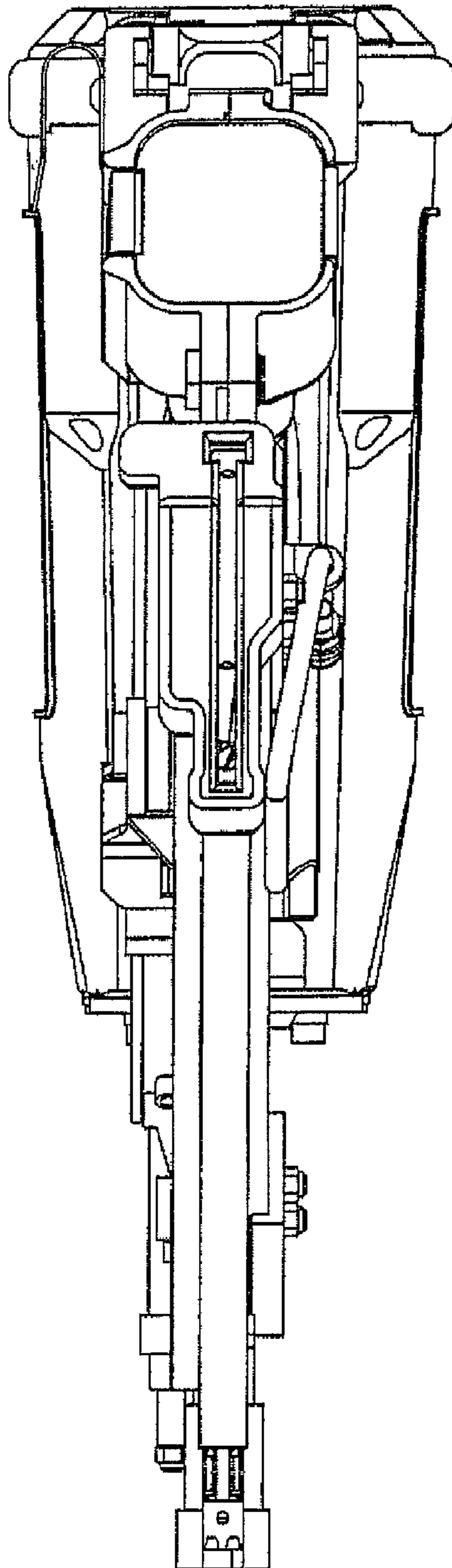


FIG. 5

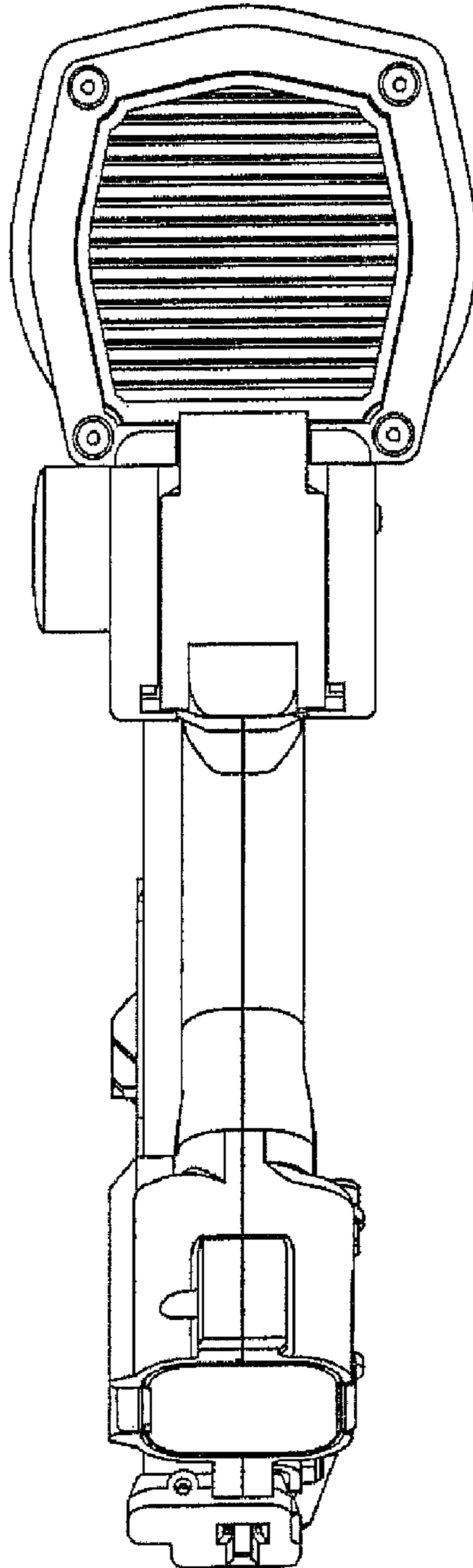


FIG. 6

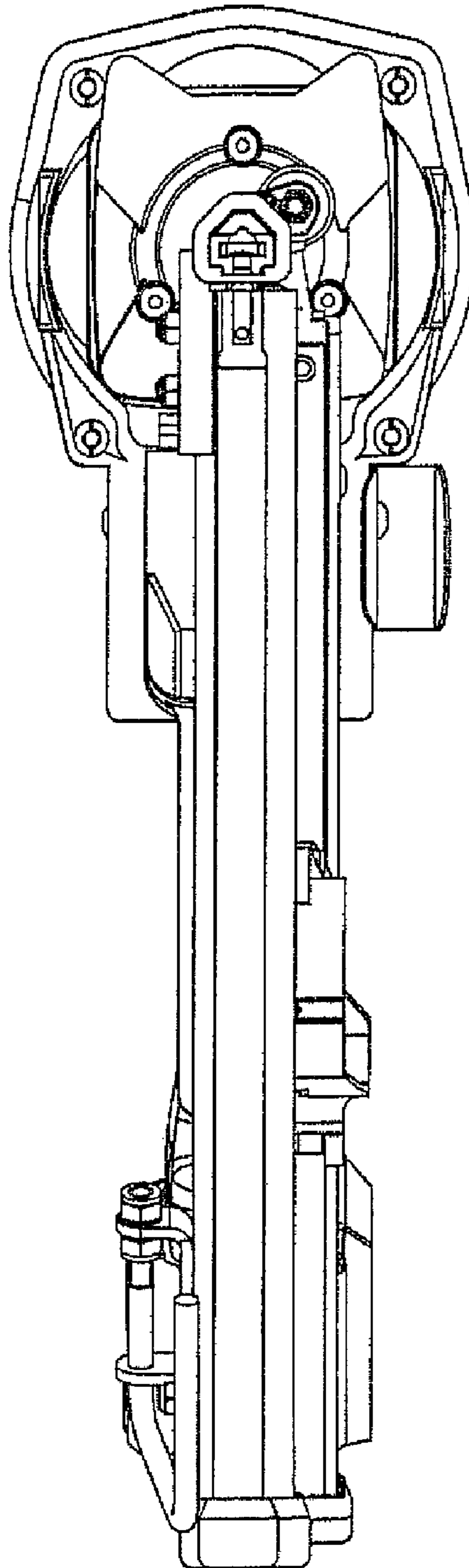


FIG. 7

