



US00D591131S

(12) **United States Design Patent**
Buck

(10) **Patent No.:** **US D591,131 S**

(45) **Date of Patent:** **** Apr. 28, 2009**

(54) **FASTENING TOOL**

(75) Inventor: **John E. Buck**, Cockeysville, MD (US)

(73) Assignee: **Black & Decker Inc.**, Newark, DE (US)

(**) Term: **14 Years**

(21) Appl. No.: **29/288,394**

(22) Filed: **Jun. 8, 2007**

(51) **LOC (9) Cl.** **08-05**

(52) **U.S. Cl.** **D8/69; D8/68**

(58) **Field of Classification Search** D8/61-69;
81/57.11, 429, 464, 465, 466, 469, 489; 173/13,
173/169, 178, 213, 217; 227/8, 114, 120,
227/130, 136, 142; 310/50; 408/20, 124,
408/125, 234, 241 R; 451/358

See application file for complete search history.

(56) **References Cited**

U.S. PATENT DOCUMENTS

D475,597 S *	6/2003	Arai	D8/68
D477,513 S *	7/2003	Bor	D8/68
D477,760 S *	7/2003	Chang	D8/68
D499,321 S *	12/2004	Buck et al.	D8/68

D549,062 S *	8/2007	Buck	D8/69
D575,608 S *	8/2008	Buck	D8/69
2002/0056739 A1 *	5/2002	Liu	227/8
2006/0213947 A1 *	9/2006	Bo-Seob et al.	227/8

* cited by examiner

Primary Examiner—Antoine D Davis

(74) *Attorney, Agent, or Firm*—Rhonda L. Barton; Scott B. Markow

(57) **CLAIM**

The ornamental design for a fastening tool, as shown and described.

DESCRIPTION

FIG. 1 is a bottom/left perspective view of the fastening tool.

FIG. 2 is a front view thereof.

FIG. 3 is a back view thereof.

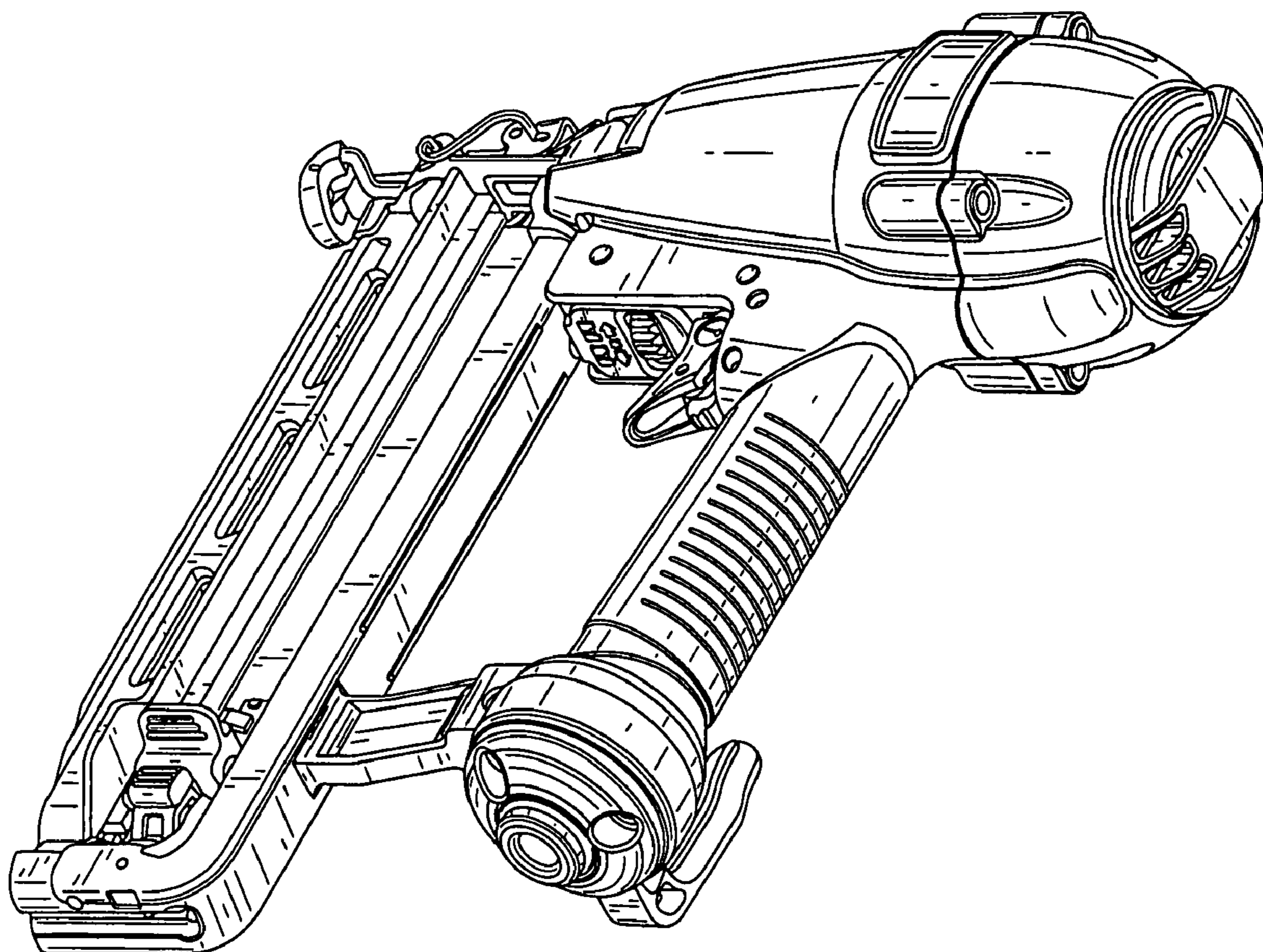
FIG. 4 is a right view thereof.

FIG. 5 is a left view thereof.

FIG. 6 is a top view thereof; and,

FIG. 7 is a bottom view thereof.

1 Claim, 7 Drawing Sheets



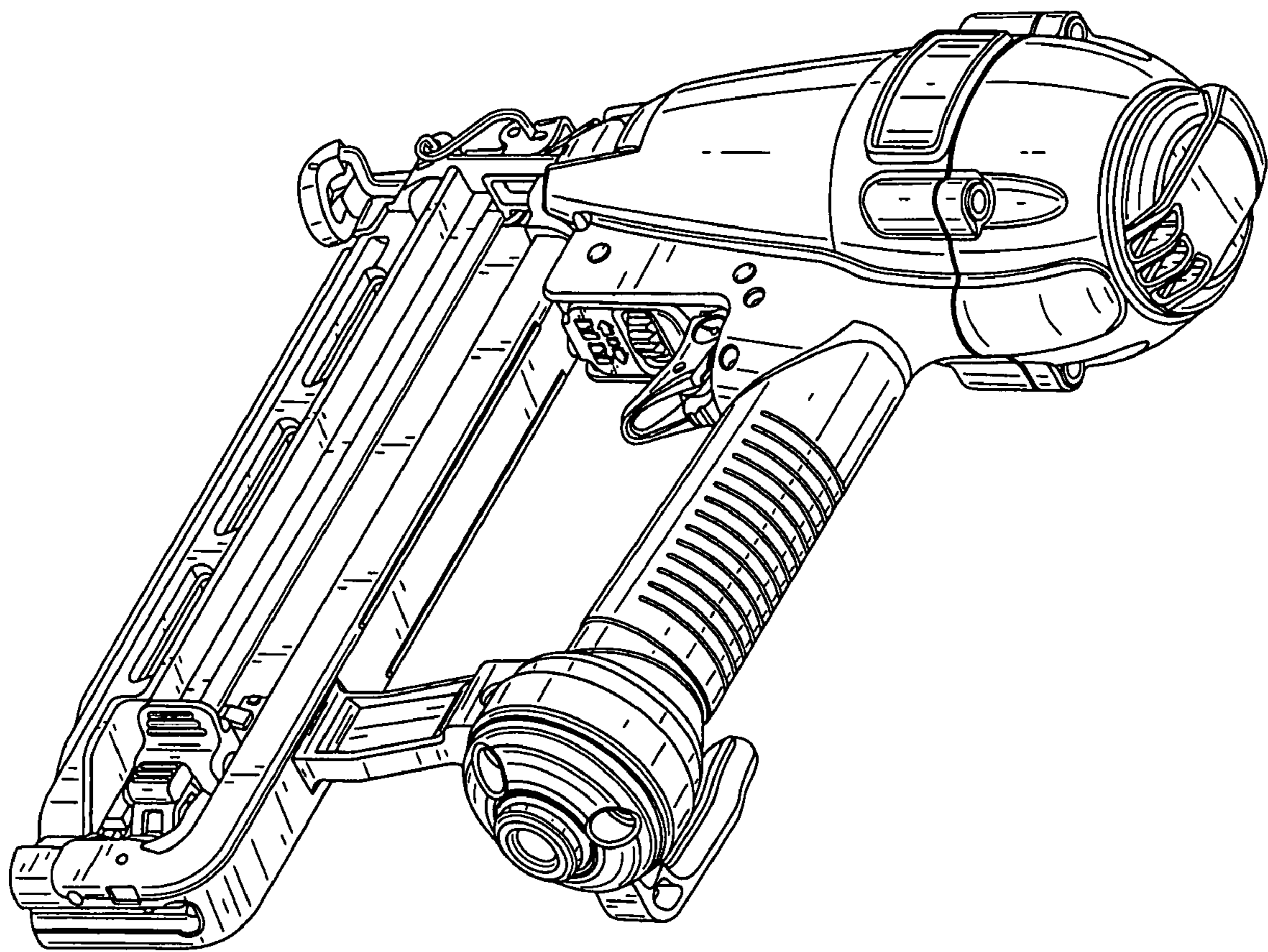


FIG. 1

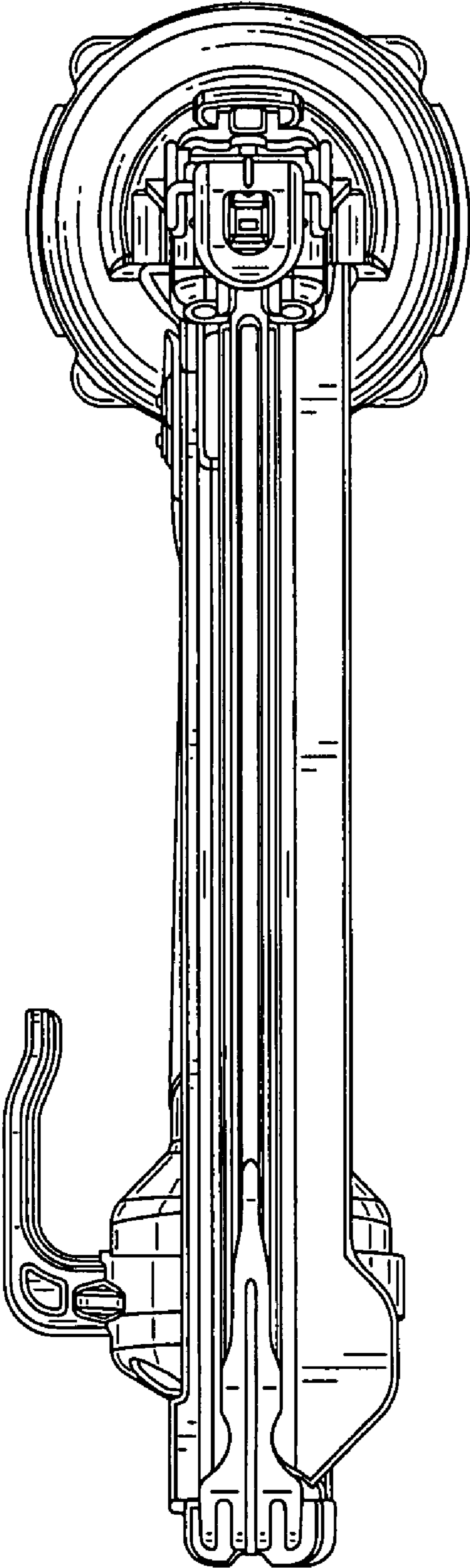


FIG. 2

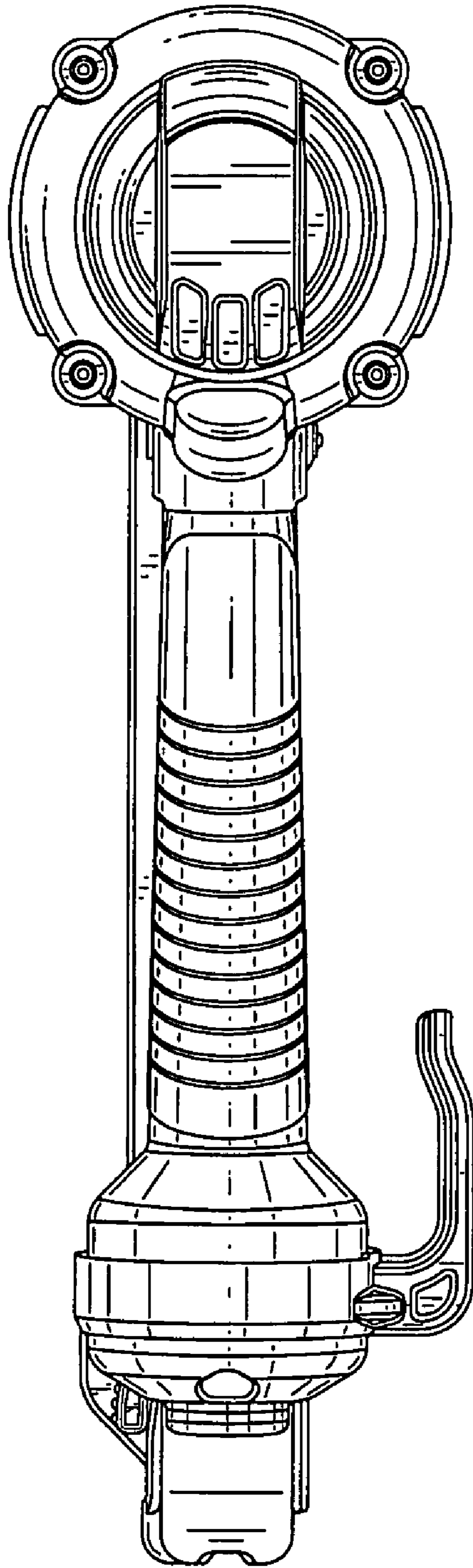


FIG. 3

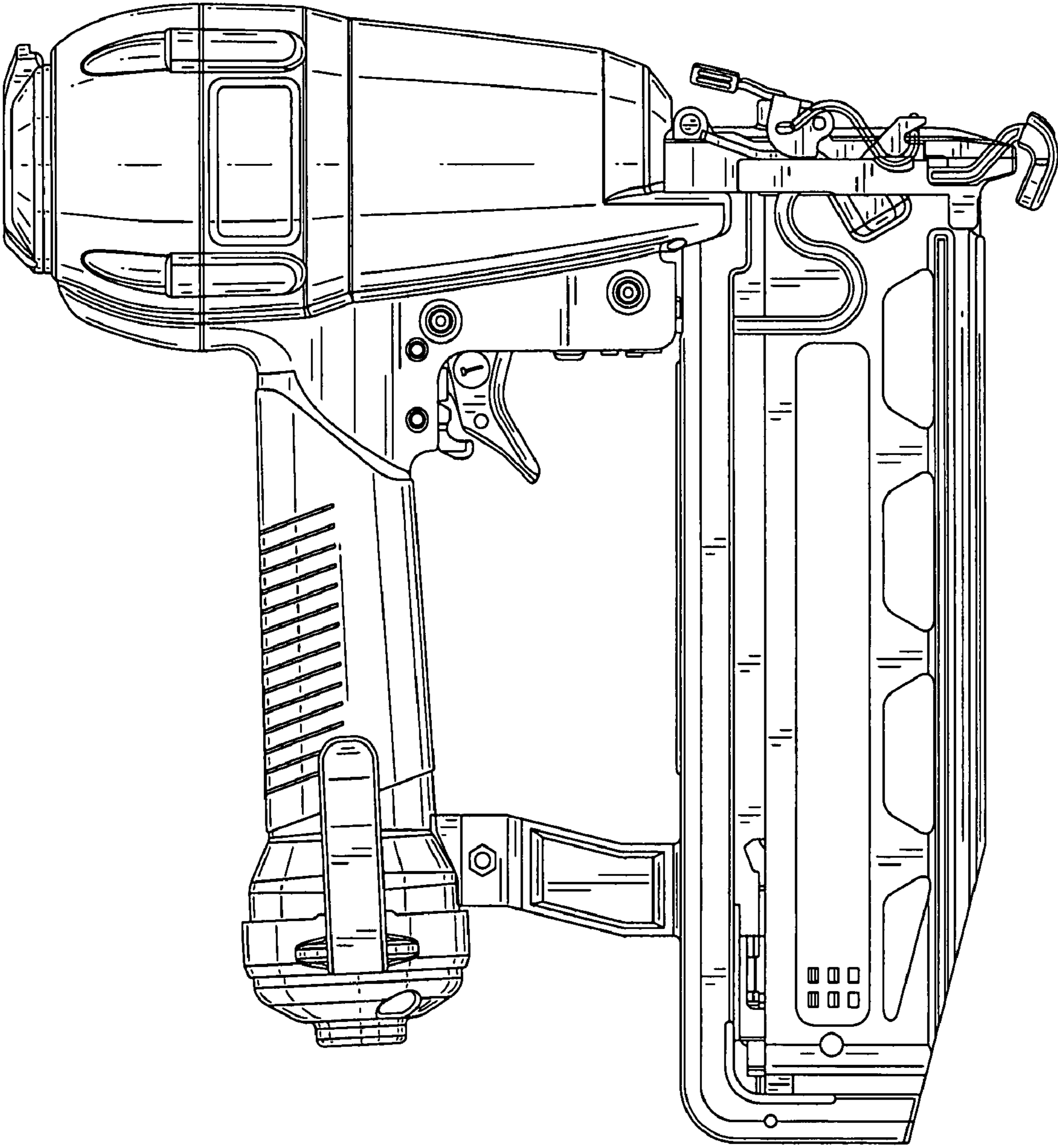


FIG. 4

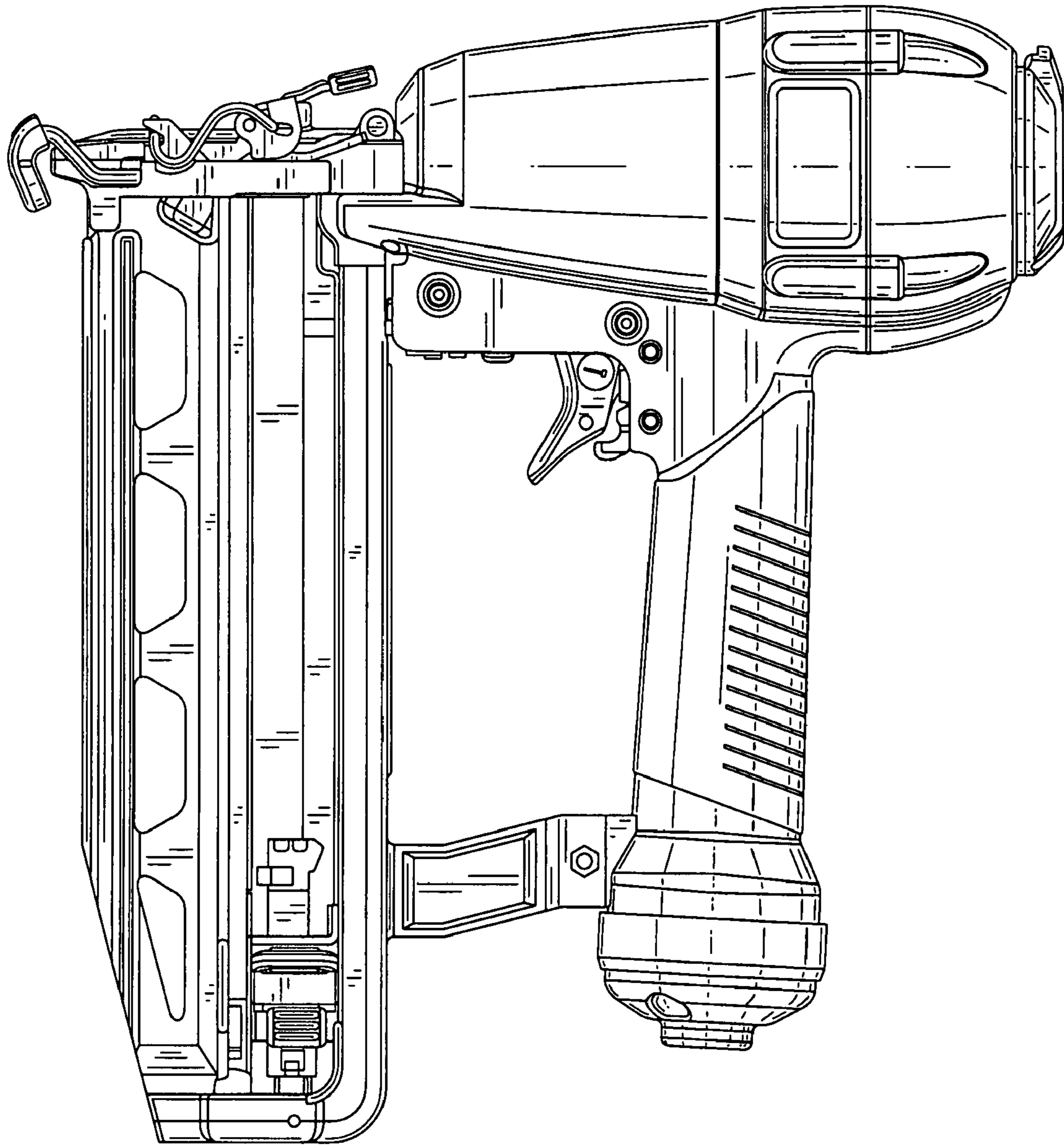


FIG. 5

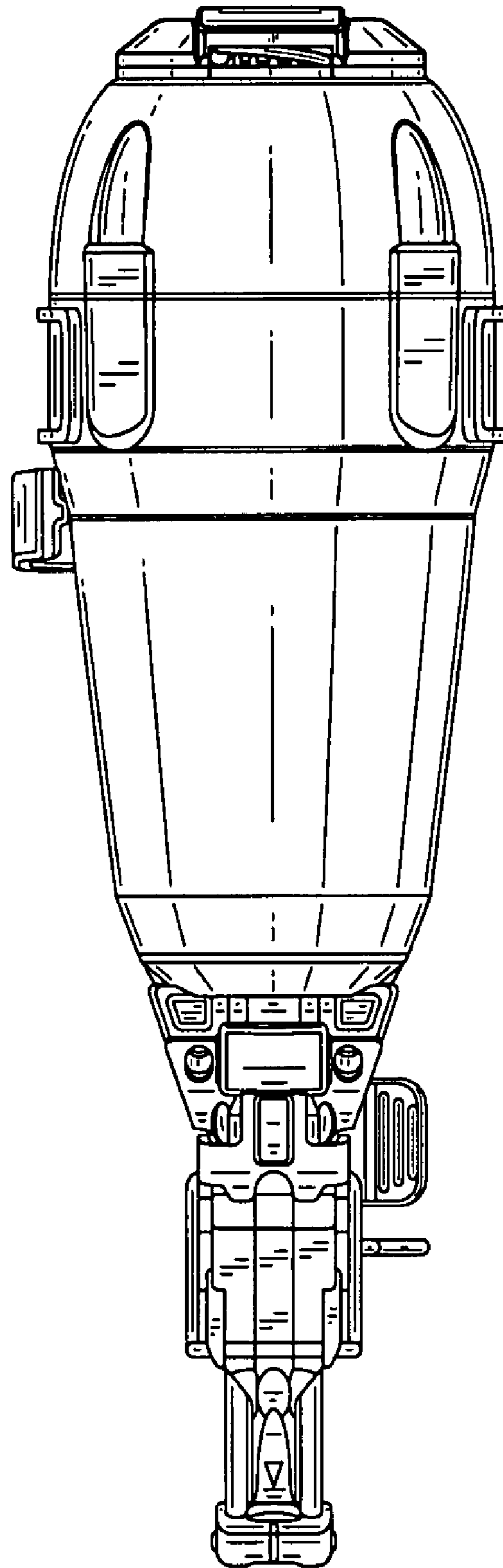


FIG. 6

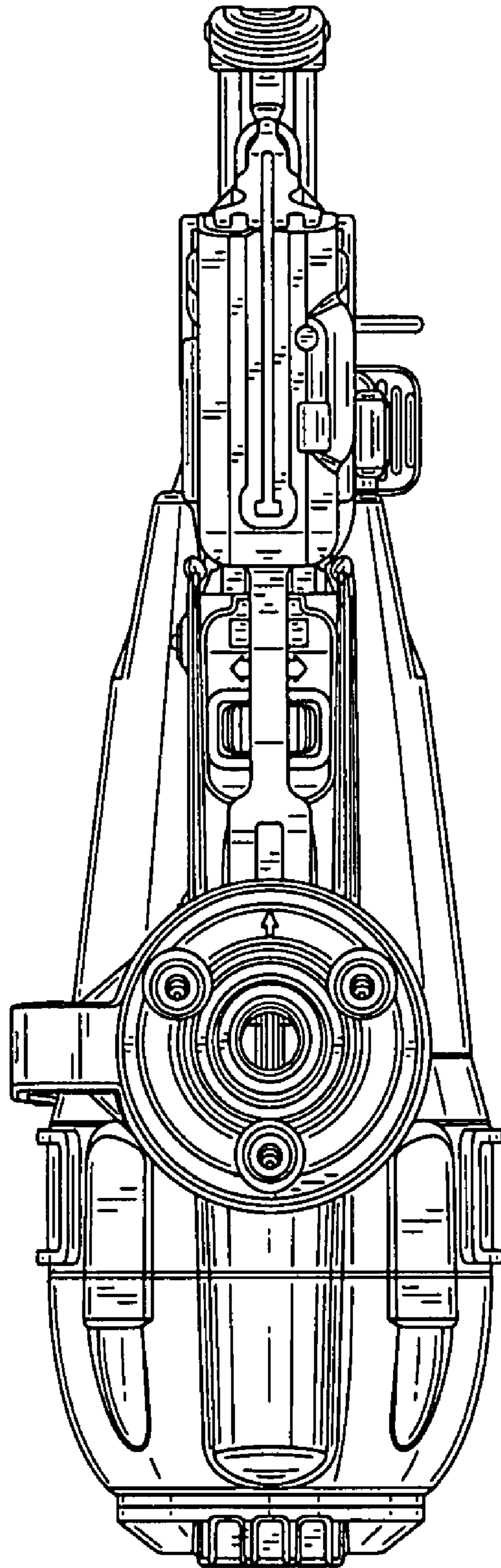


FIG. 7