



US00D591129S

(12) **United States Design Patent**  
**Rane et al.**

(10) **Patent No.:** **US D591,129 S**

(45) **Date of Patent:** **\*\* Apr. 28, 2009**

(54) **AIR IMPACT TOOL**

(75) Inventors: **Shreyas U. Rane**, Mumbai (IN); **Scott D. Price**, Lebanon, NJ (US)

(73) Assignee: **Ingersoll-Rand Company**, Montvale, NJ (US)

(\*\*) Term: **14 Years**

(21) Appl. No.: **29/326,776**

(22) Filed: **Oct. 24, 2008**

(51) **LOC (9) Cl.** ..... **08-05**

(52) **U.S. Cl.** ..... **D8/68**

(58) **Field of Classification Search** ..... D8/61-70;  
81/57.11, 429, 454-456, 469, 489; 173/13,  
173/104, 114, 167-173, 178, 201, 211, 213,  
173/217; 227/8, 113, 114, 120, 130, 136,  
227/142; 310/50; 408/20, 124, 125, 234,  
408/241 R; 451/358

See application file for complete search history.

(56) **References Cited**

**U.S. PATENT DOCUMENTS**

D524,135 S *	7/2006	Happ et al.	.....	D8/68
D529,777 S *	10/2006	Hattori	.....	D8/68
7,131,503 B2 *	11/2006	Furuta et al.	.....	173/48
D565,375 S *	4/2008	Shi	.....	D8/68
D578,854 S *	10/2008	Lopano	.....	D8/68
D579,743 S *	11/2008	Lopano	.....	D8/68
D582,237 S *	12/2008	Chen	.....	D8/68
7,461,704 B2 *	12/2008	Chen	.....	173/169
2004/0144553 A1 *	7/2004	Ashbaugh	.....	173/169

2006/0151188 A1\* 7/2006 Bodine et al. .... 173/104  
2008/0230247 A1\* 9/2008 Chen ..... 173/169

\* cited by examiner

*Primary Examiner*—Antoine D Davis

(74) *Attorney, Agent, or Firm*—Michael Best & Friedrich LLP

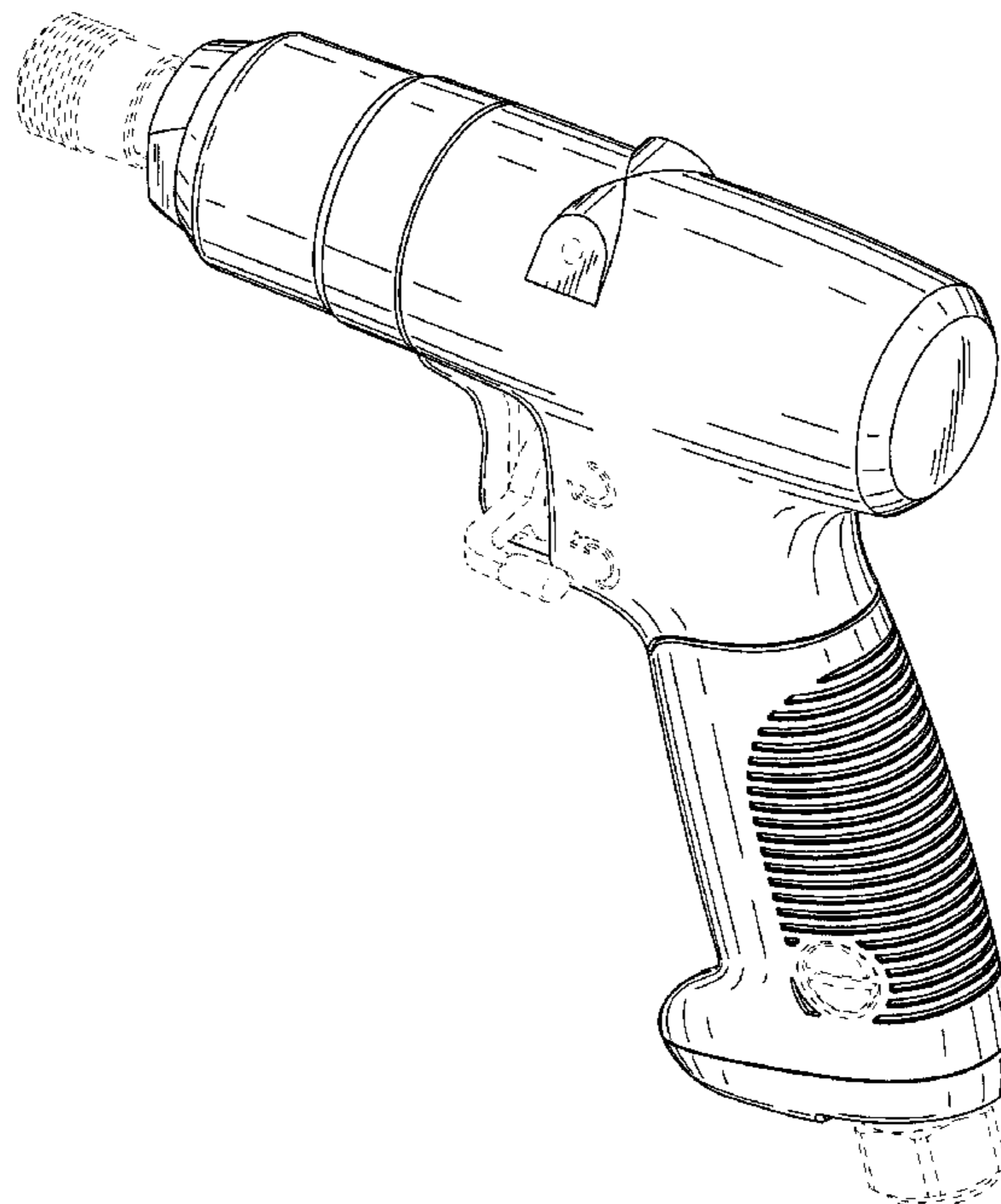
(57) **CLAIM**

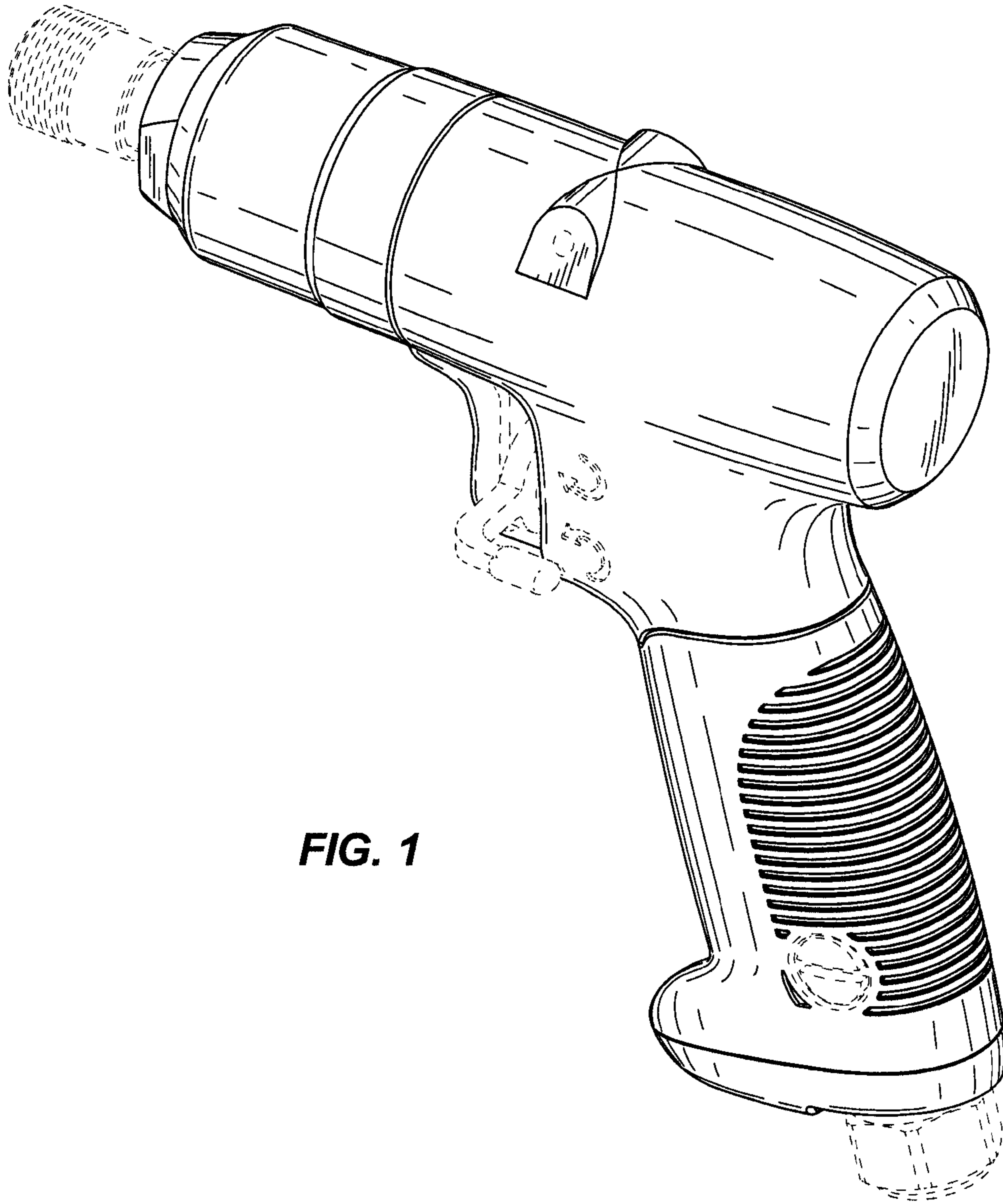
We claim the ornamental design for an air impact tool, as shown and described.

**DESCRIPTION**

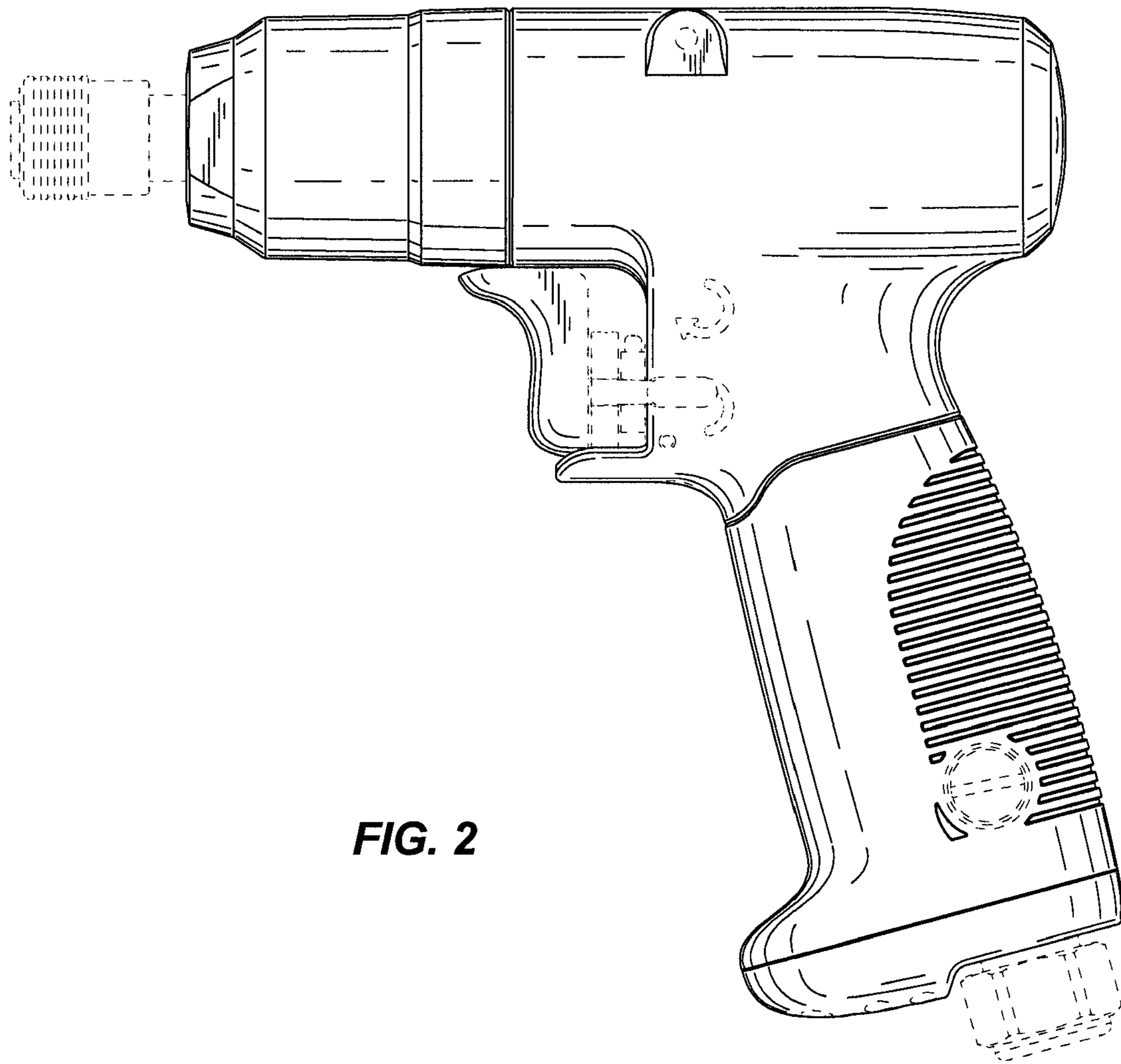
FIG. 1 is a perspective view of an air impact tool.  
 FIG. 2 is a left side view of the tool of FIG. 1.  
 FIG. 3 is a right side view of the tool of FIG. 1.  
 FIG. 4 is a top view of the tool of FIG. 1.  
 FIG. 5 is a bottom view of the tool of FIG. 1.  
 FIG. 6 is a front end view of the tool of FIG. 1.  
 FIG. 7 is a rear end view of the tool of FIG. 1.  
 FIG. 8 is a perspective view of the air impact tool without surface shading.  
 FIG. 9 is a left side view of the tool of FIG. 8.  
 FIG. 10 is a right side view of the tool of FIG. 8.  
 FIG. 11 is a top view of the tool of FIG. 8.  
 FIG. 12 is a bottom view of the tool of FIG. 8.  
 FIG. 13 is a front end view of the tool of FIG. 8; and,  
 FIG. 14 is a rear end view of the tool of FIG. 8.  
 The broken line showing of the environment is for illustrative purposes only and forms no part of the claimed design.

**1 Claim, 10 Drawing Sheets**

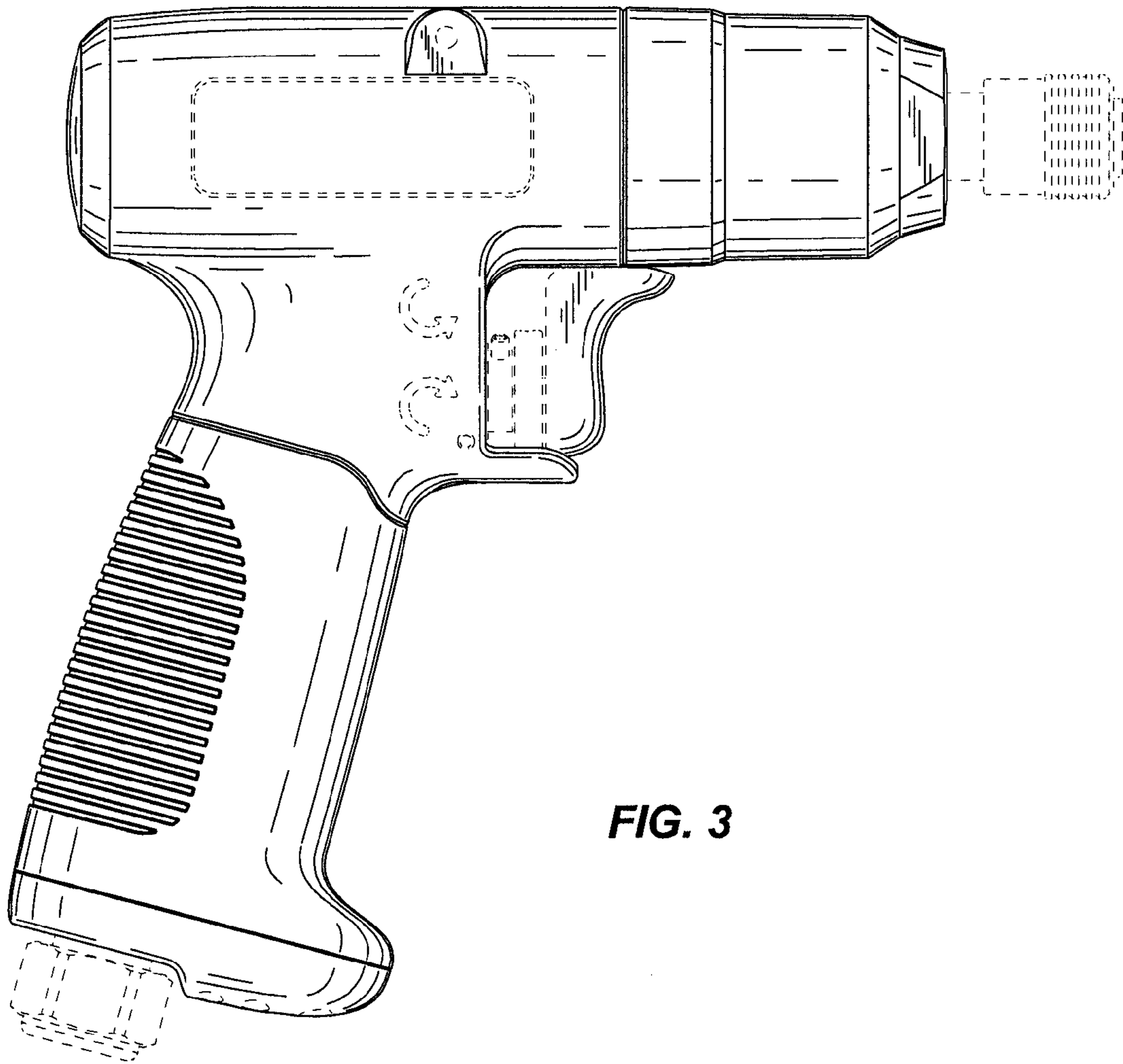




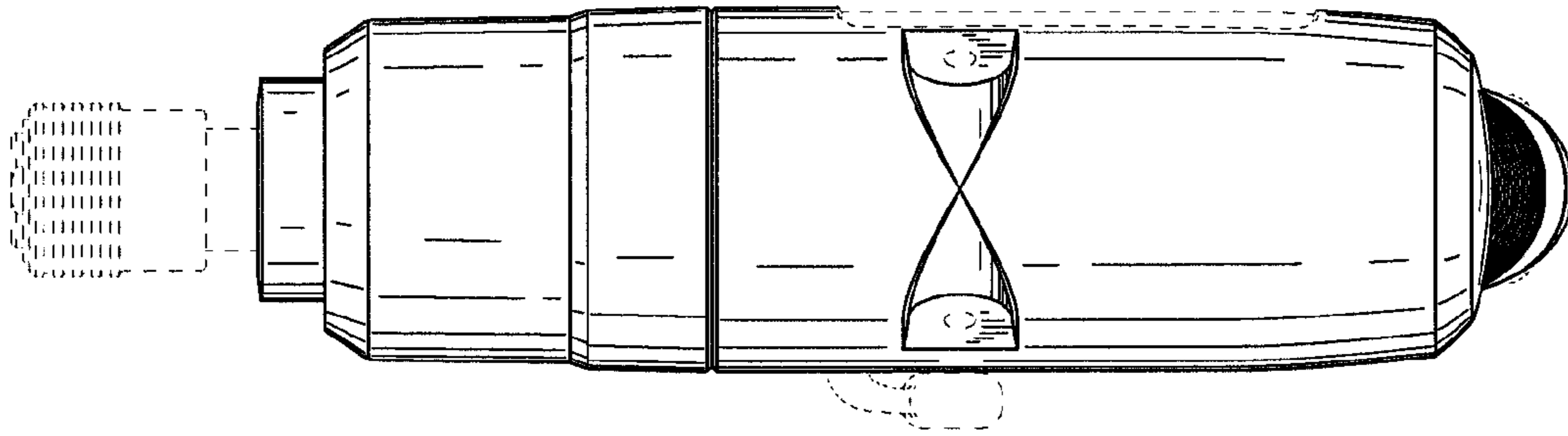
**FIG. 1**



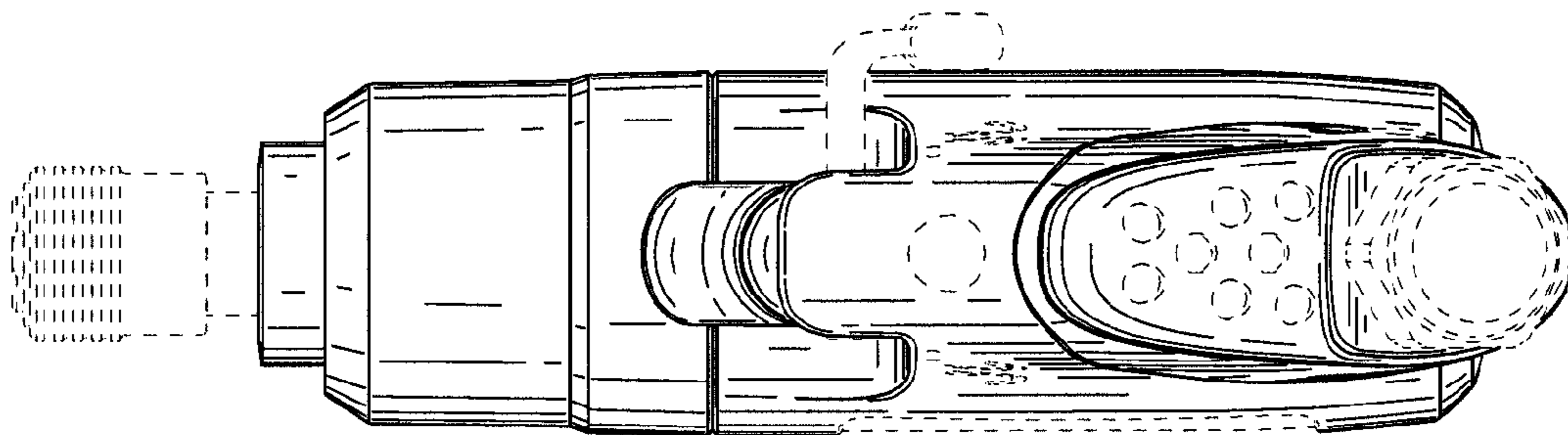
**FIG. 2**



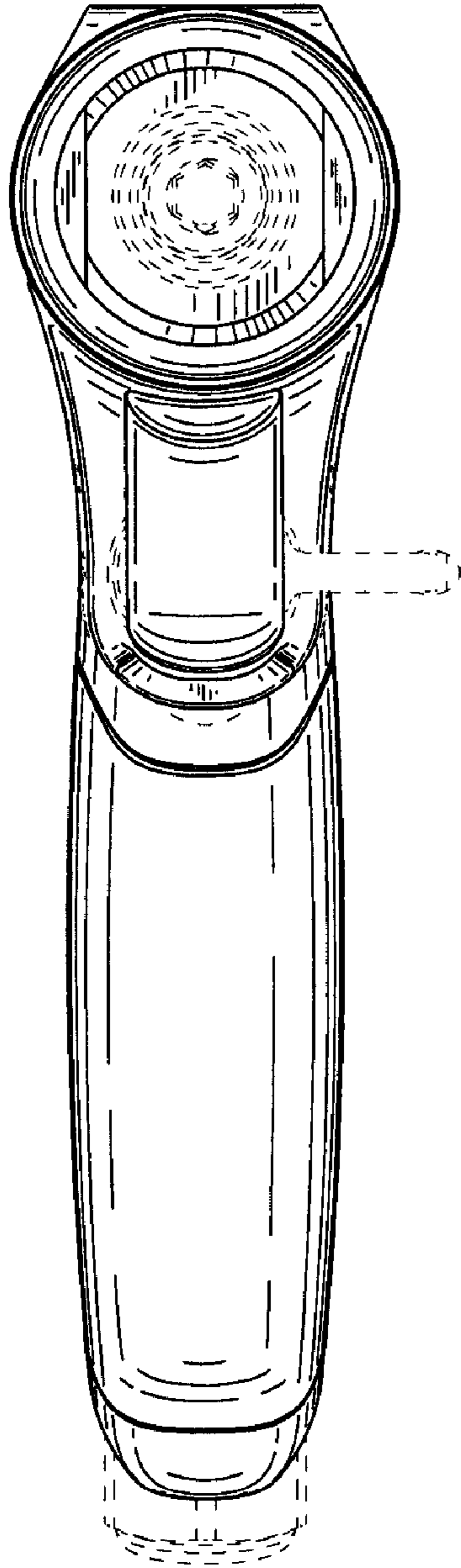
**FIG. 3**



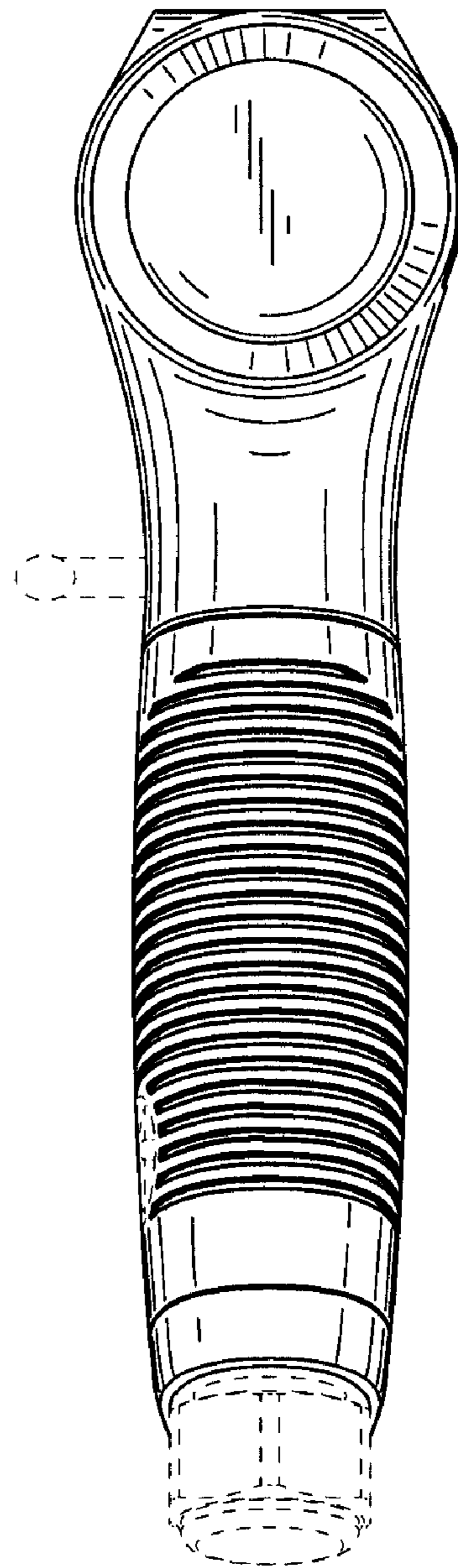
**FIG. 4**



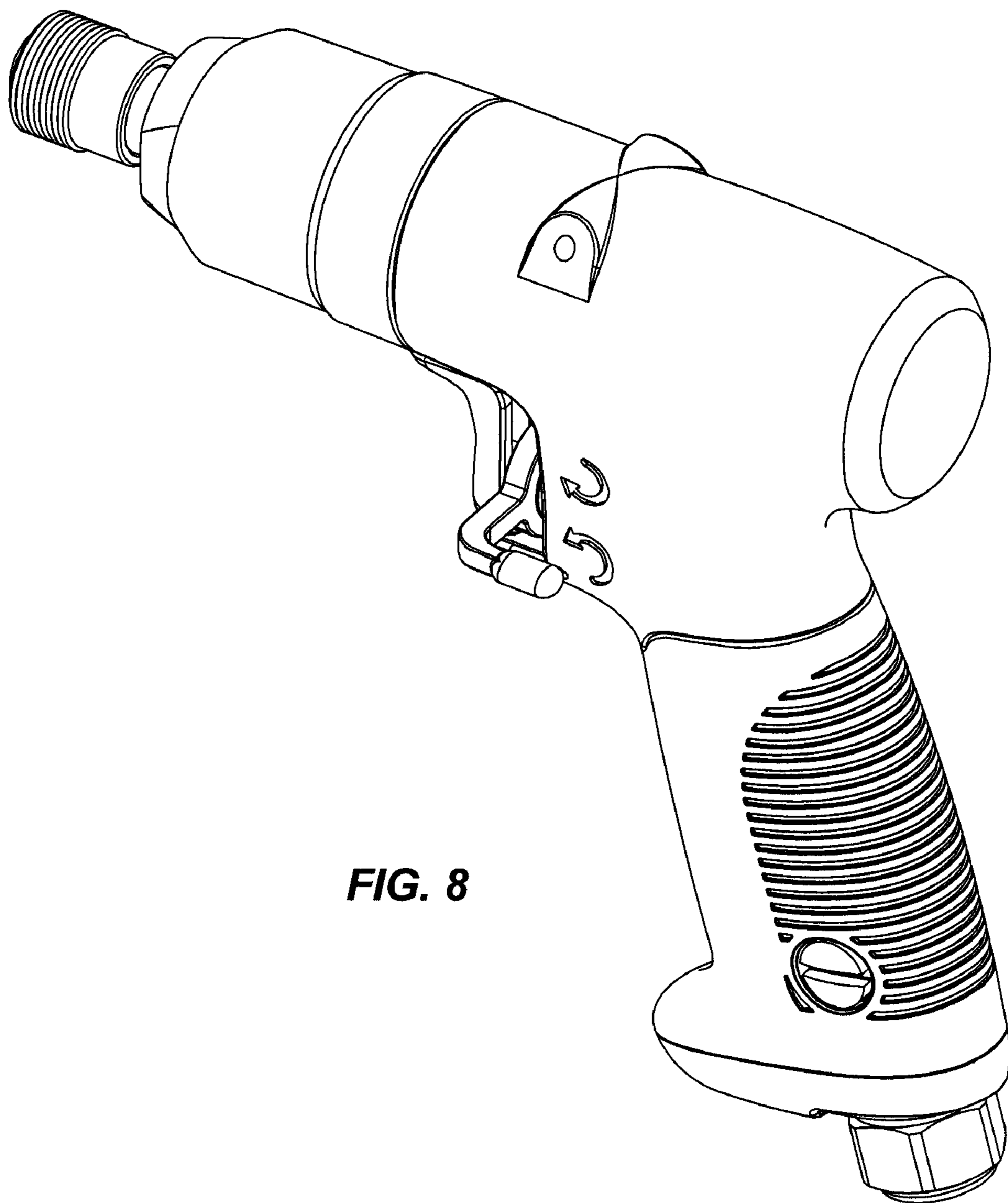
**FIG. 5**



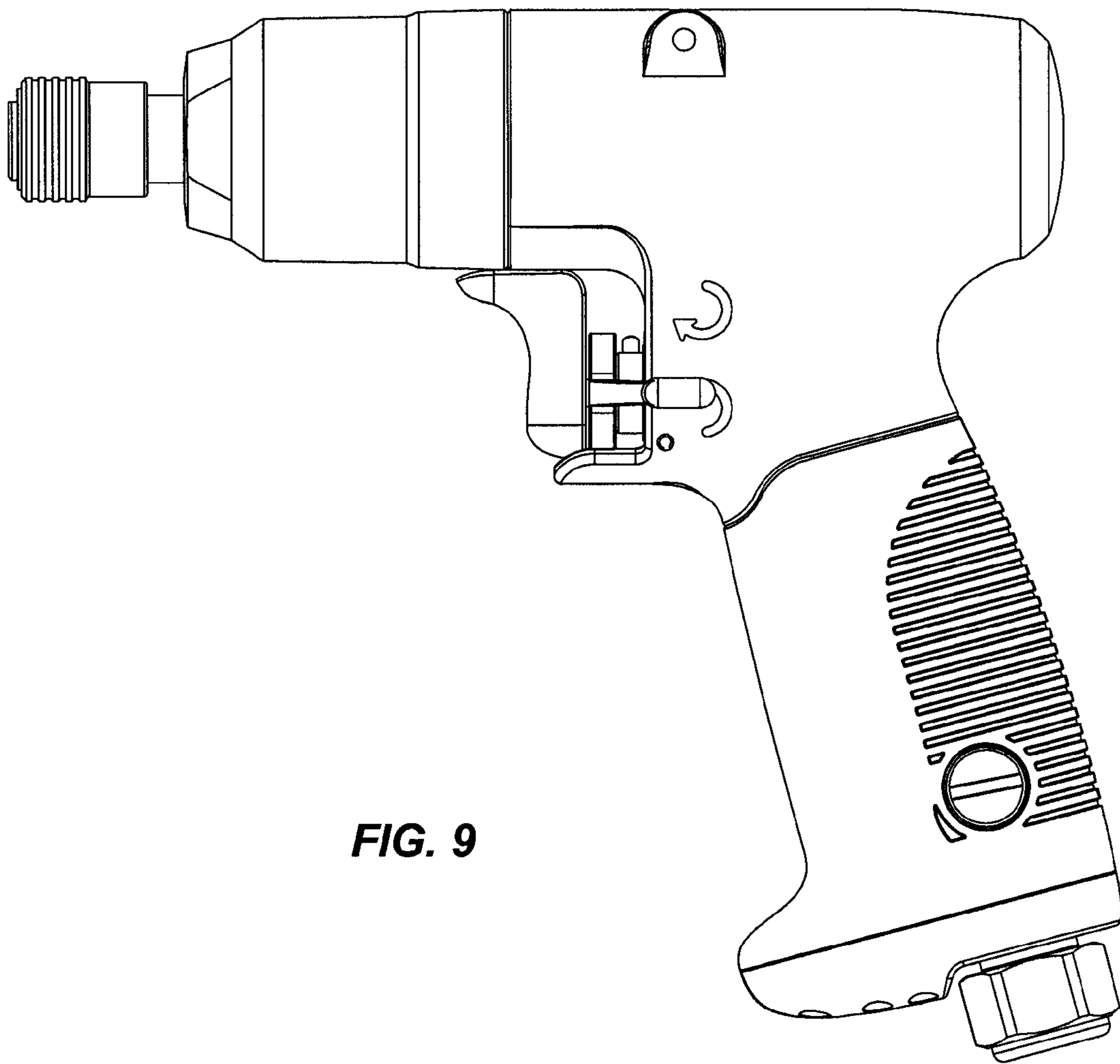
**FIG. 6**



**FIG. 7**

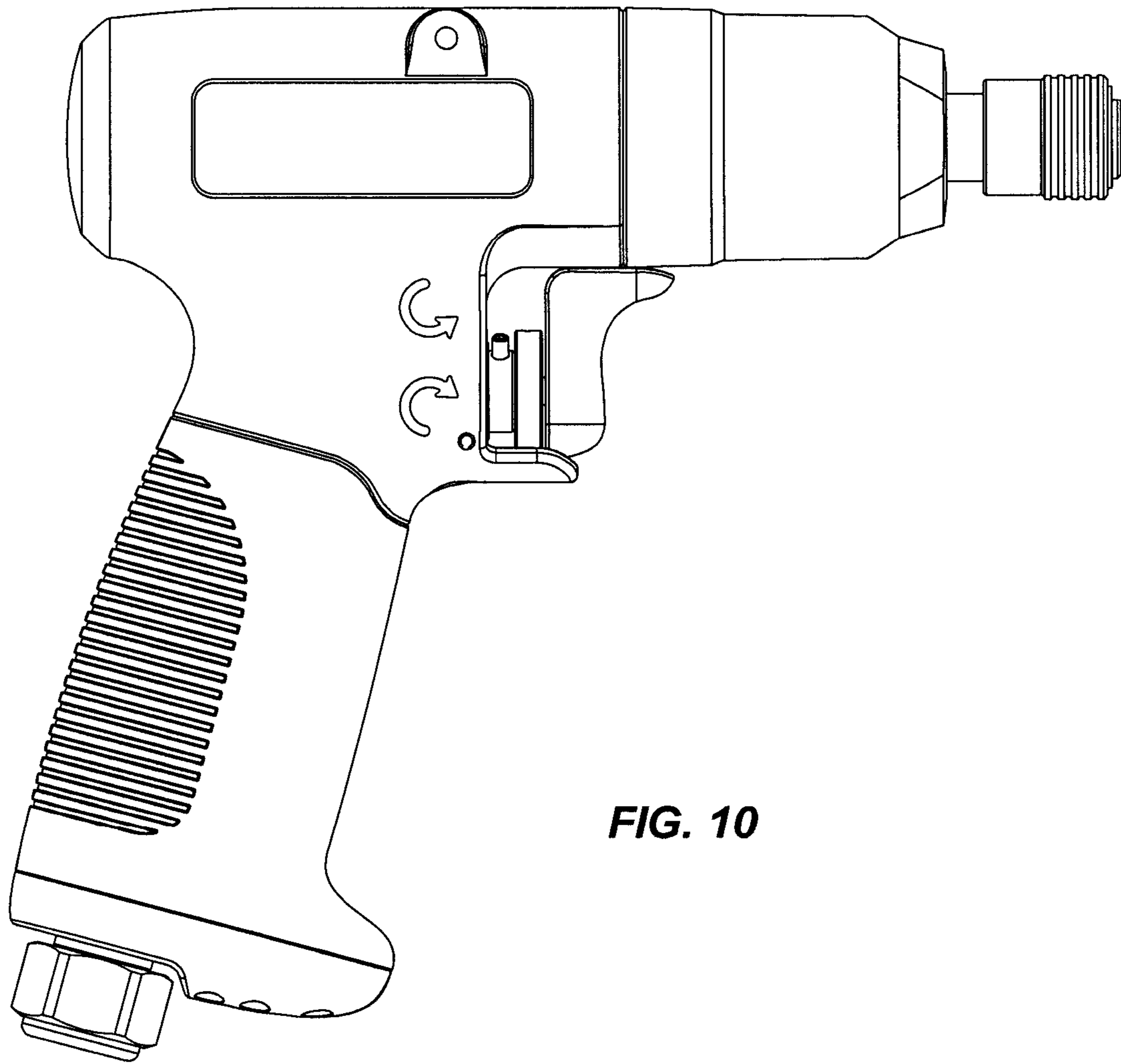


**FIG. 8**

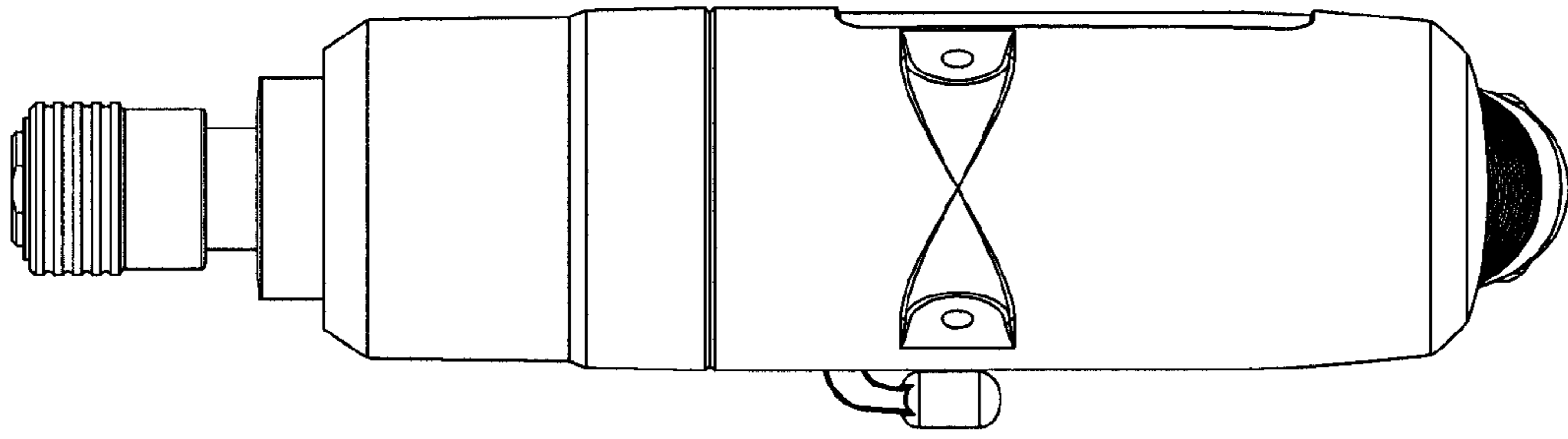


**FIG. 9**

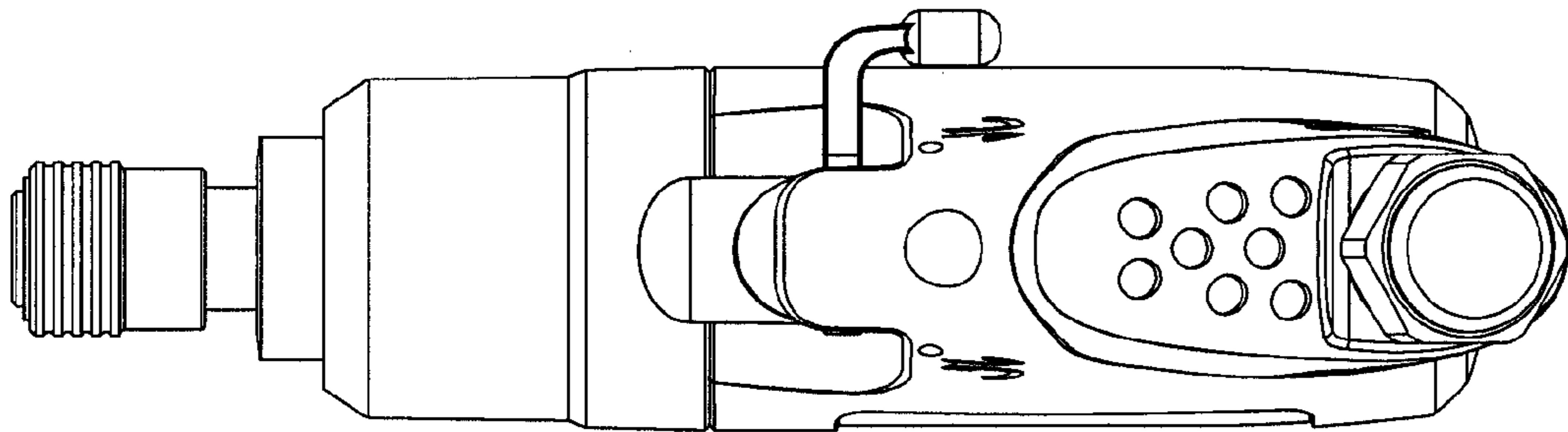




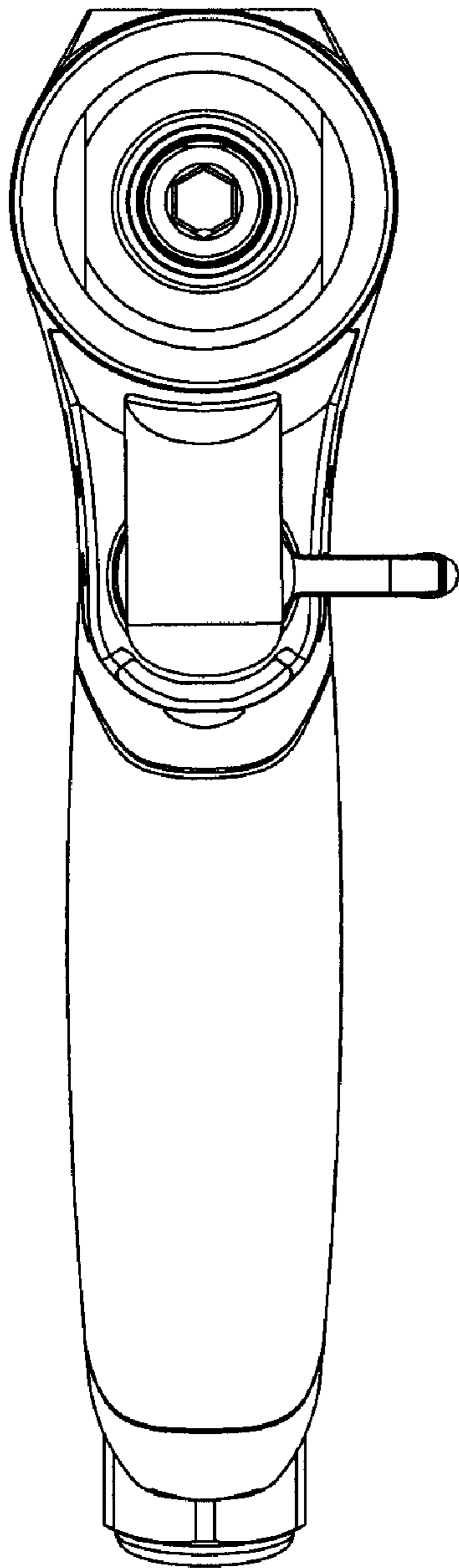
**FIG. 10**



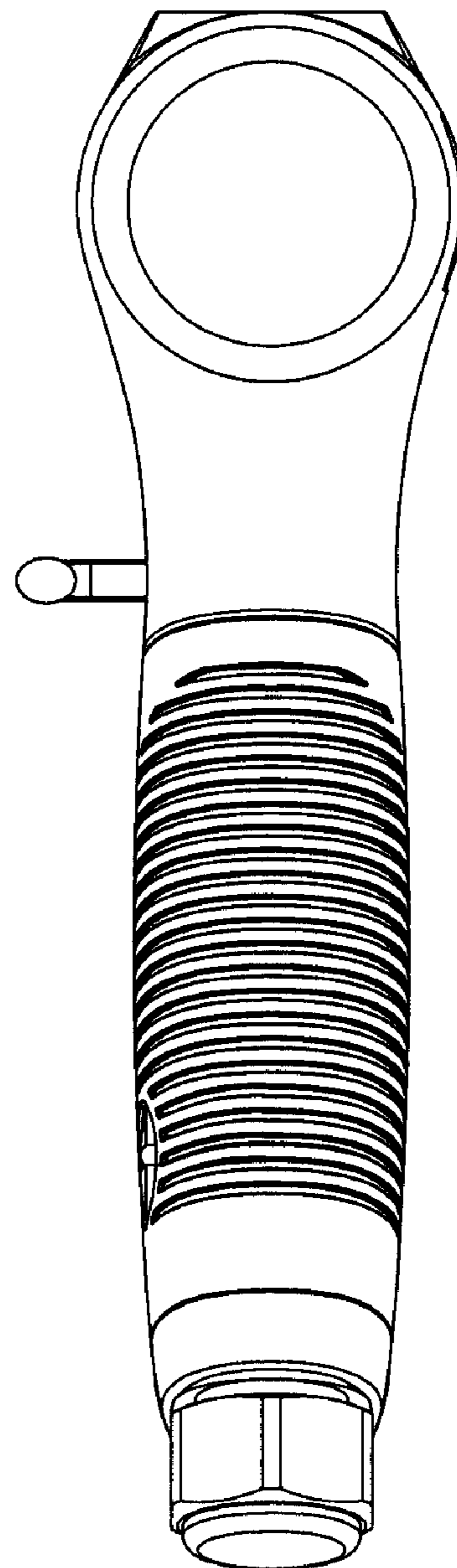
**FIG. 11**



**FIG. 12**



**FIG. 13**



**FIG. 14**