



US00D591128S

(12) **United States Design Patent**
Chuan

(10) **Patent No.:** **US D591,128 S**
(45) **Date of Patent:** **** Apr. 28, 2009**

(54) **CRIMPING CUTTING POWER TOOL**

(75) Inventor: **James Chuan**, Taipei Hsien (TW)

(73) Assignee: **First Forever Co., Ltd.** (TW)

(**) Term: **14 Years**

(21) Appl. No.: **29/303,757**

(22) Filed: **Feb. 15, 2008**

(51) **LOC (9) Cl.** **08-03**

(52) **U.S. Cl.** **D8/68**

(58) **Field of Classification Search** D8/61,
D8/68; 72/53.15, 416, 453.03, 453.16, 455;
29/751; 417/415

See application file for complete search history.

(56) **References Cited**

U.S. PATENT DOCUMENTS

5,272,811	A *	12/1993	Armand	70/453.15
5,553,478	A *	9/1996	Di Troia	72/543.15
D387,961	S *	12/1997	Yasui et al.	D8/68
7,165,439	B2 *	1/2007	Lefavour et al.	72/453.16
7,340,936	B2 *	3/2008	Gregg	72/416
7,421,871	B2 *	9/2008	Goop	72/453.15

* cited by examiner

Primary Examiner—Antoine D Davis

(74) *Attorney, Agent, or Firm*—Hanley, Flight & Zimmerman, LLC

(57) **CLAIM**

The ornamental design for a crimping cutting power tool, as shown and described.

DESCRIPTION

FIG. 1 is a perspective view of a crimping cutting power tool showing my new design;

FIG. 2 is a front view thereof;

FIG. 3 is a rear view thereof;

FIG. 4 is a left view thereof;

FIG. 5 is a right view thereof;

FIG. 6 is a top view thereof;

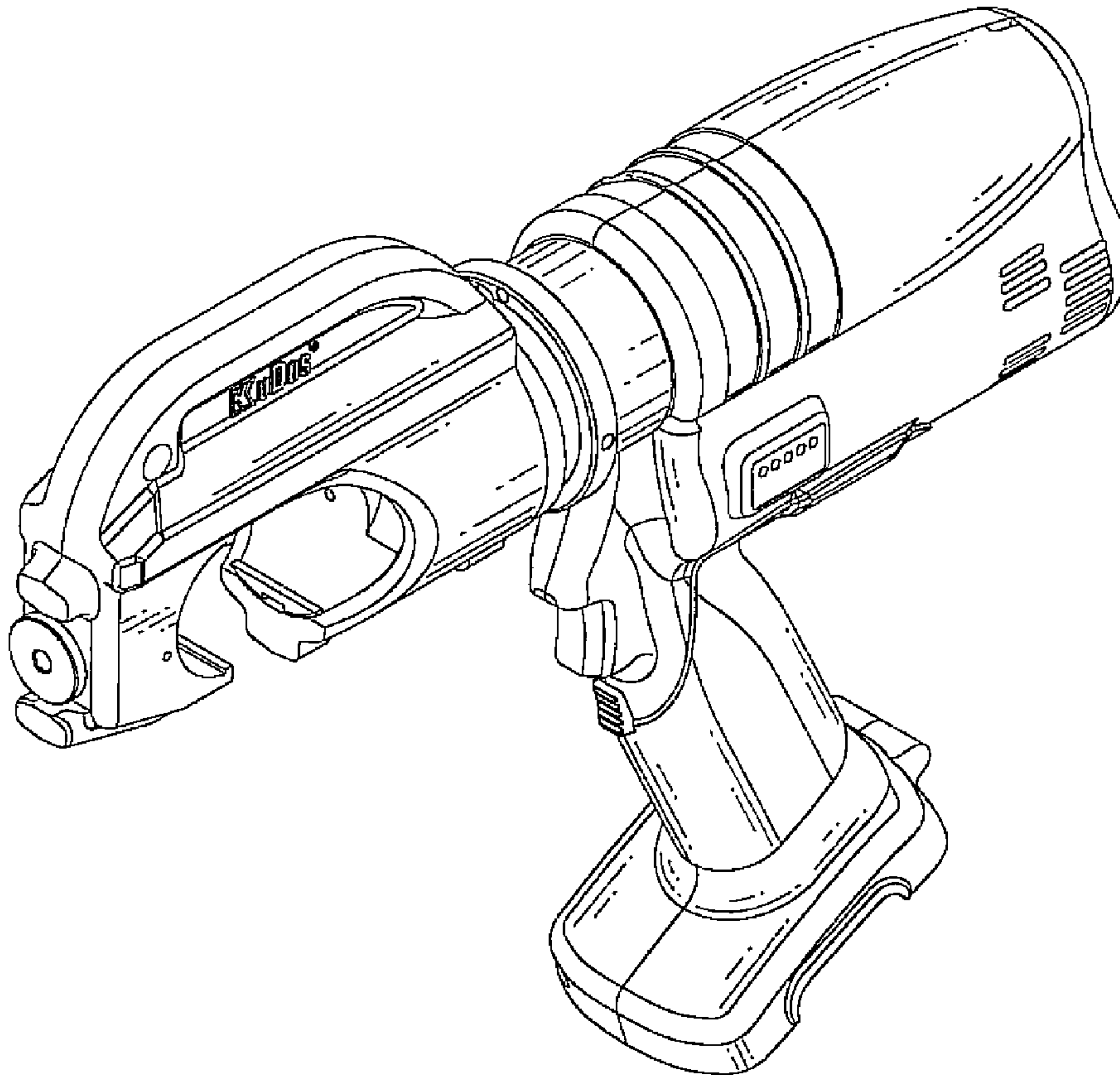
FIG. 7 is a bottom view thereof;

FIG. 8 is a rear perspective view thereof; and,

FIG. 9 is a referential perspective view thereof shown with a battery box shown in broken lines.

The portions of the Figures shown in broken lines are shown for illustrative purposes only and form no part of the claimed design.

1 Claim, 7 Drawing Sheets



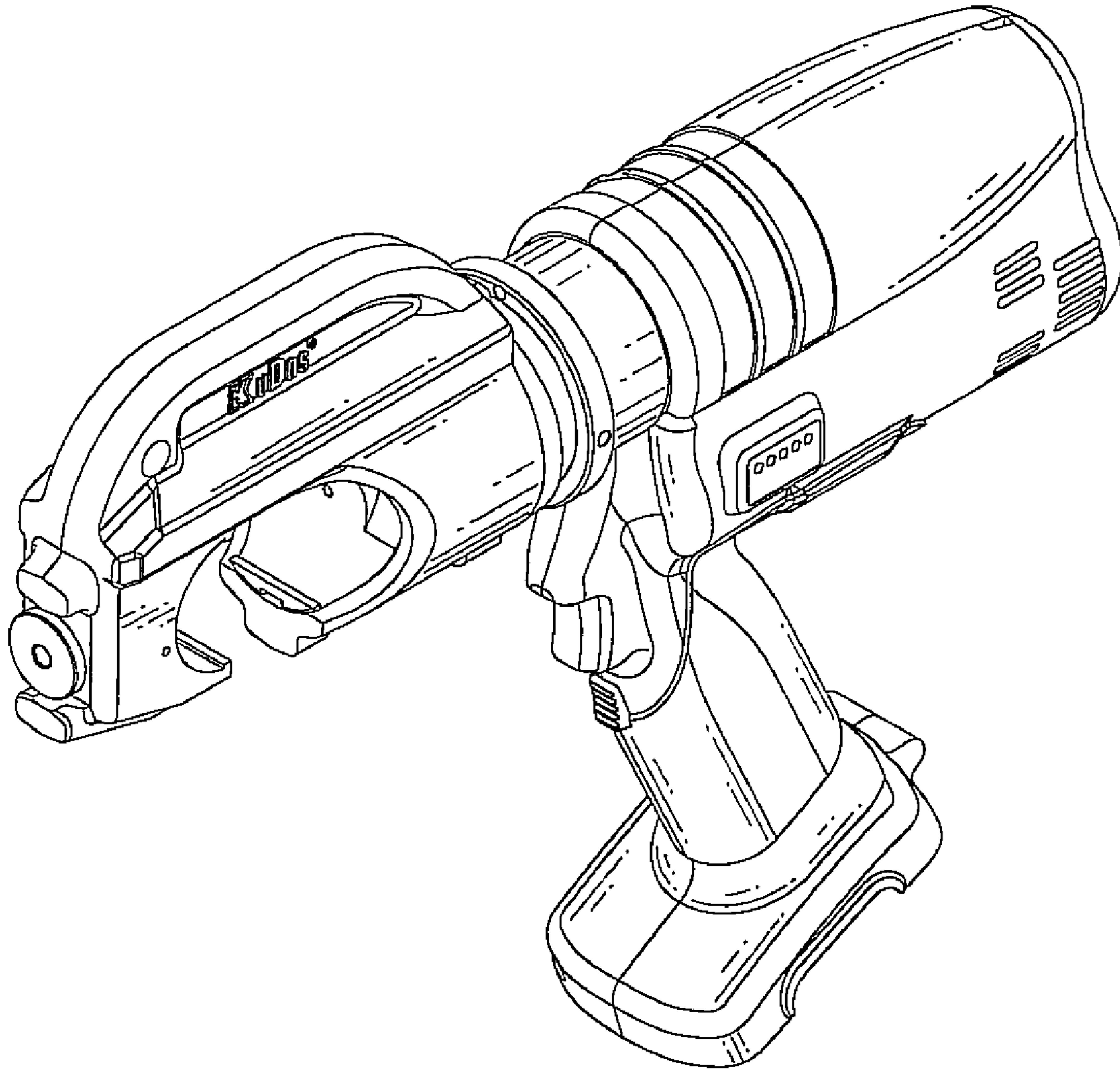


FIG.1

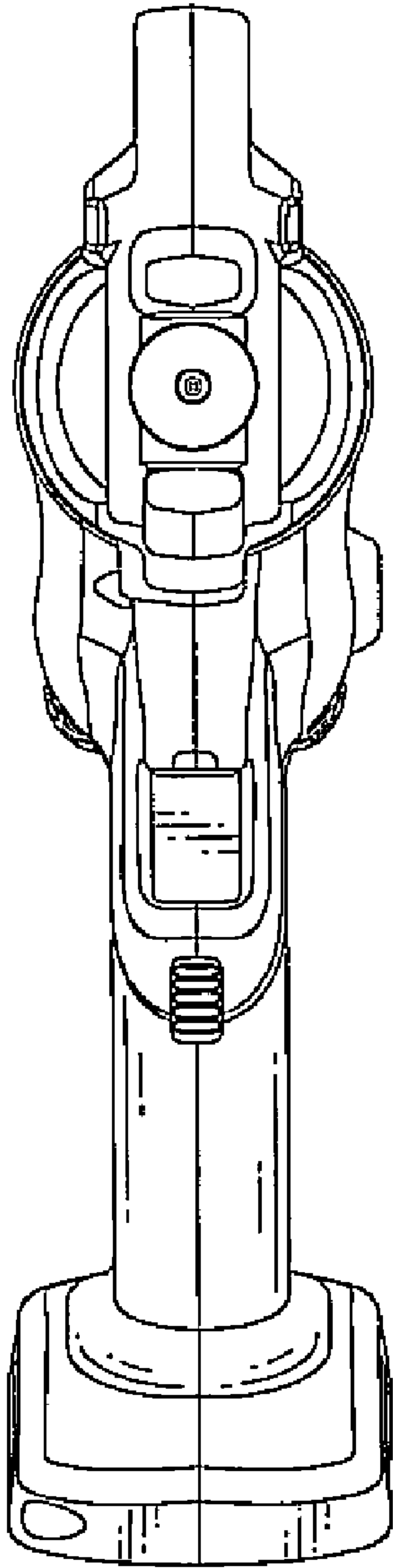


FIG. 2

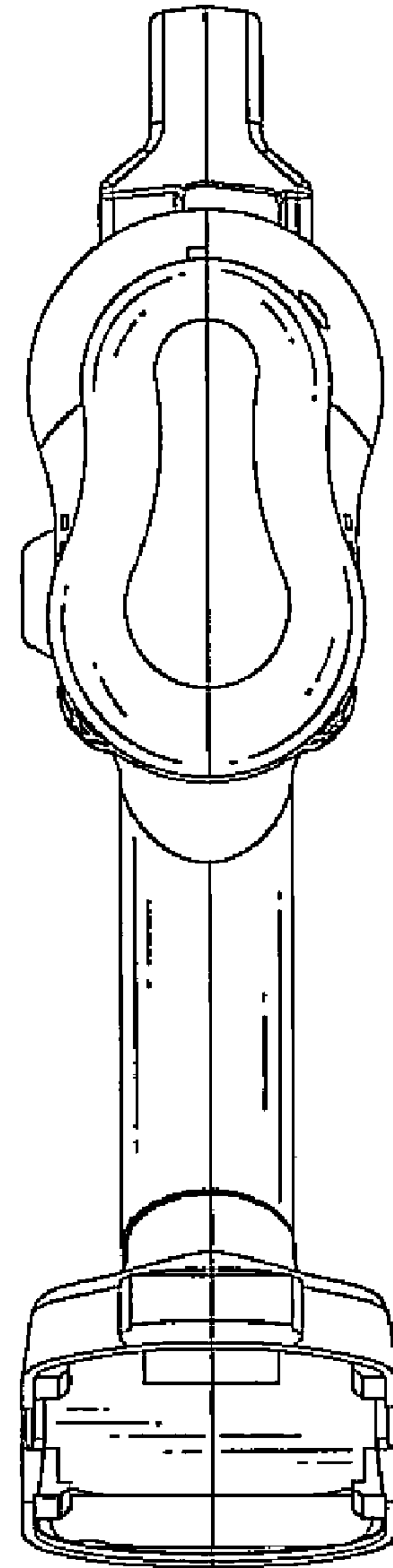


FIG. 3

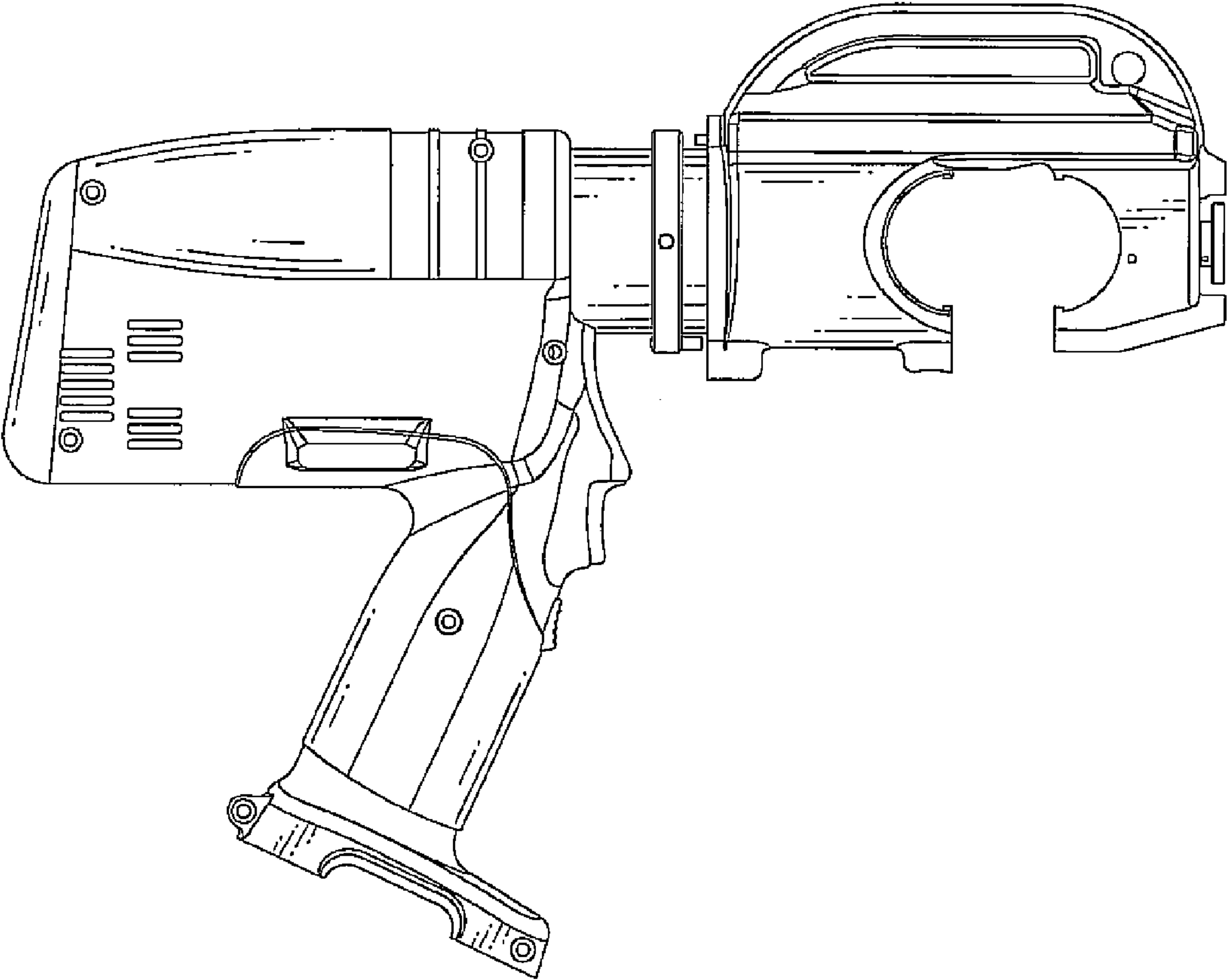


FIG.4

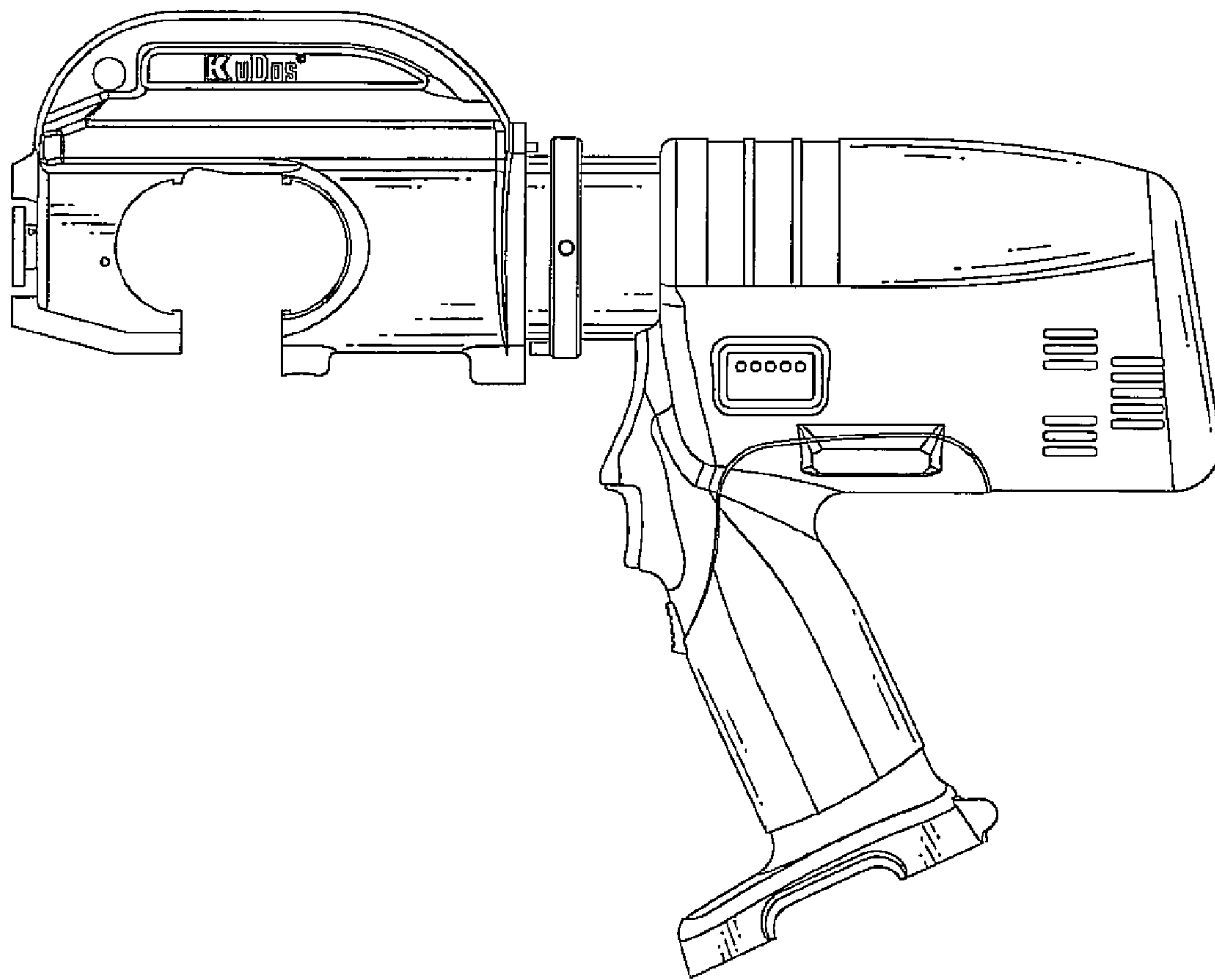


FIG.5

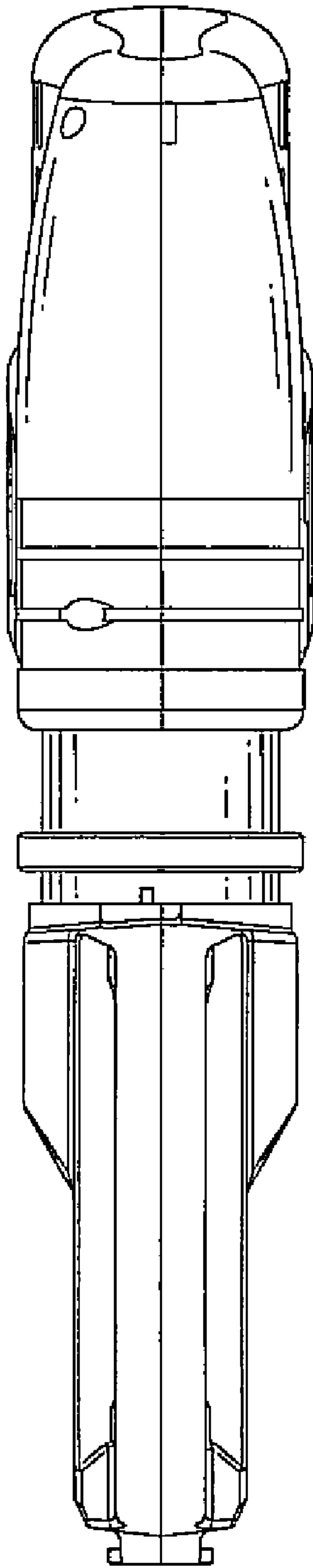


FIG. 6

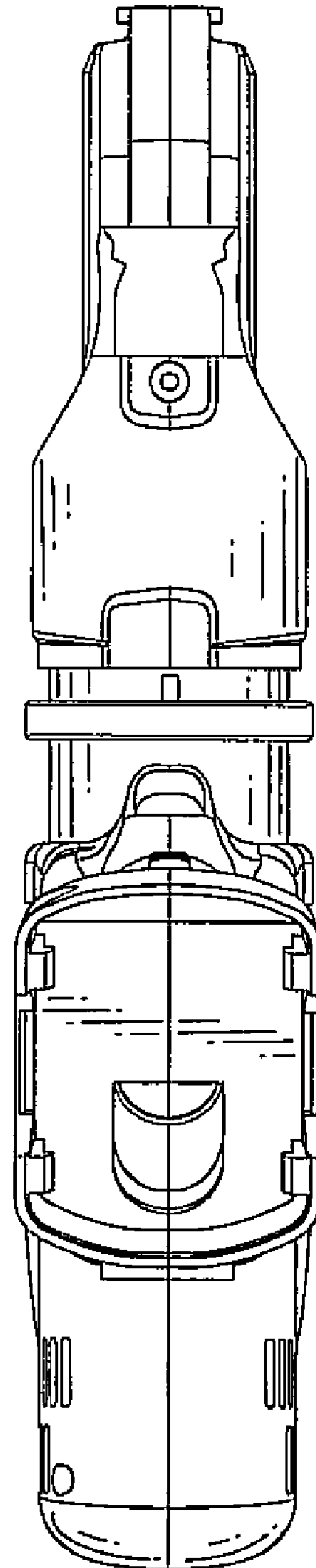


FIG. 7

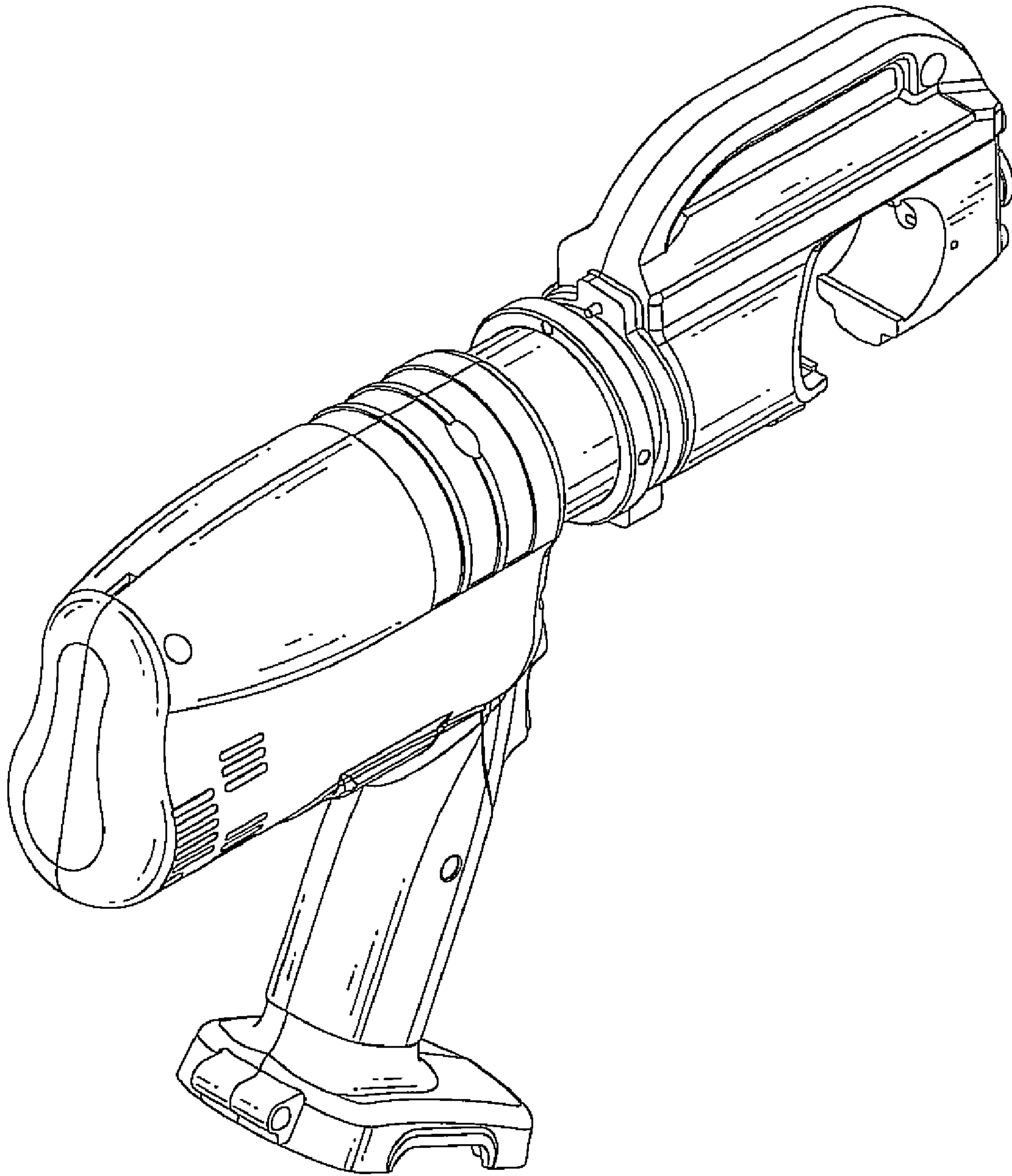


FIG.8

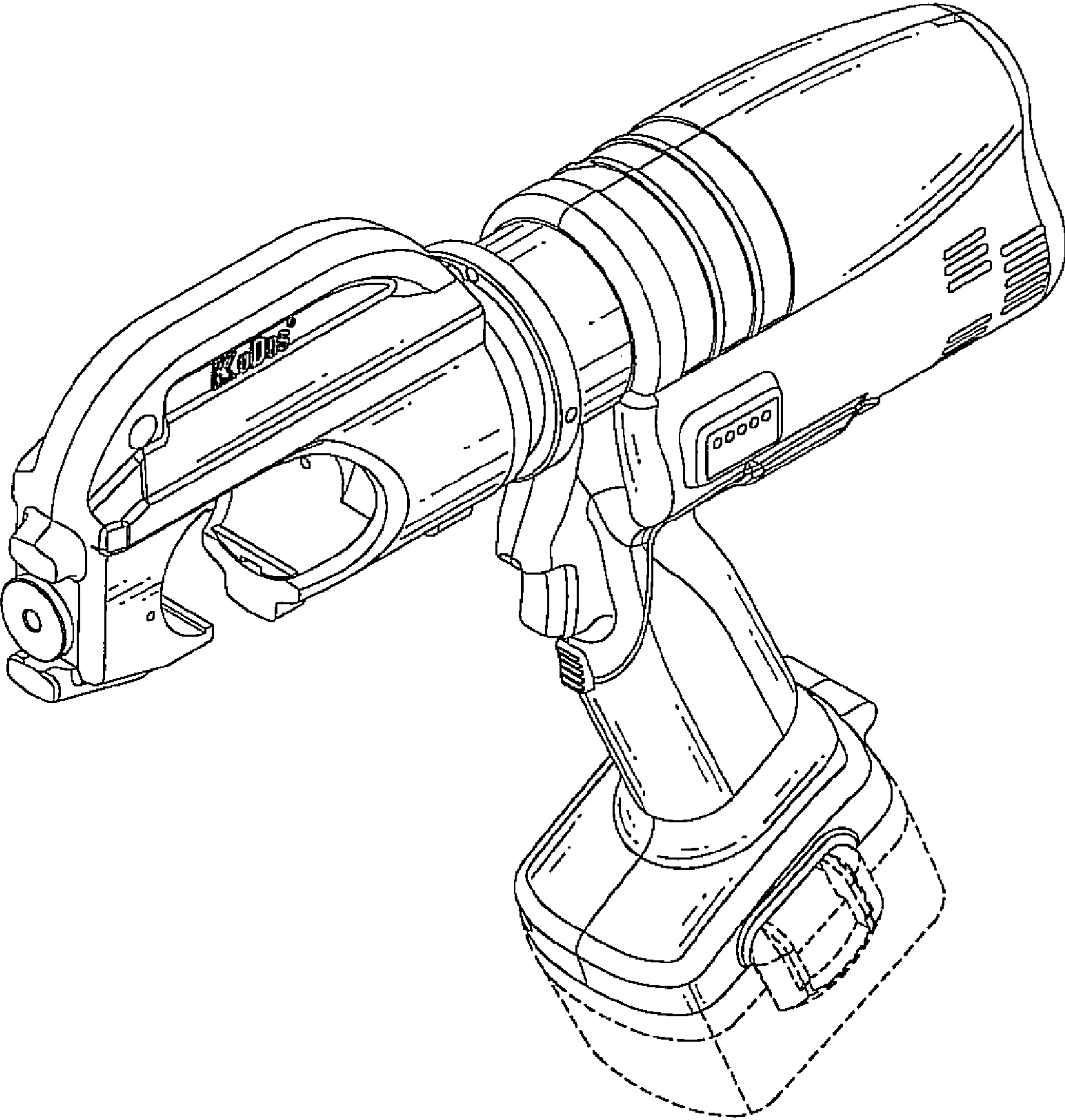


FIG.9