



US00D591127S

(12) **United States Design Patent**  
**Taga**

(10) **Patent No.:** **US D591,127 S**  
(45) **Date of Patent:** **\*\* Apr. 28, 2009**

(54) **IMPACT TOOL**

(75) Inventor: **Koji Taga**, Ohi Fujimino (JP)

(73) Assignee: **Taga Corporation**, Saitama (JP)

(\*\*) Term: **14 Years**

(21) Appl. No.: **29/294,081**

(22) Filed: **Dec. 21, 2007**

(51) **LOC (9) Cl.** ..... **08-05**

(52) **U.S. Cl.** ..... **D8/68**

(58) **Field of Classification Search** ..... D8/14.1,  
D8/61, 62, 63, 64, 65, 66, 67, 68, 69, 70;  
81/57.11, 429, 454, 455, 456, 469, 489; 173/13,  
173/104, 114, 168, 169, 170, 171, 178, 201,  
173/211, 213, 217; 408/20, 124, 125, 234,  
408/241 R; 451/358; 310/50; 227/8, 113,  
227/114, 120, 130, 136, 142

See application file for complete search history.

(56) **References Cited**

**U.S. PATENT DOCUMENTS**

3,352,368	A *	11/1967	Maffey, Jr. ....	310/50
D256,980	S *	9/1980	Adams et al. ....	D8/68
D357,849	S	5/1995	Izumisawa	
D358,314	S	5/1995	Izumisawa	
D364,544	S	11/1995	Izumisawa	
D382,184	S	8/1997	Sung	
D384,562	S	10/1997	Sung	
D396,620	S	8/1998	Sung	
D410,181	S	5/1999	Sung	
D436,818	S *	1/2001	Izumisawa ....	D8/68
D437,760	S *	2/2001	Izumisawa ....	D8/68
D441,628	S *	5/2001	Bass et al. ....	D8/68
D447,033	S	8/2001	Izumisawa	
6,338,389	B1 *	1/2002	Chang ....	173/170
D454,475	S *	3/2002	Taga ....	D8/61
D458,824	S *	6/2002	Chen ....	D8/68

D465,982	S	11/2002	Taga	
D472,782	S *	4/2003	Pusateri et al. ....	D8/68
D476,210	S *	6/2003	Chen ....	D8/68
D477,511	S	7/2003	Izumisawa	
D477,512	S *	7/2003	Liu et al. ....	D8/68
D482,947	S *	12/2003	Lin ....	D8/68
D496,243	S *	9/2004	Huang ....	D8/68
D497,529	S *	10/2004	Price ....	D8/68
D497,787	S *	11/2004	Liao ....	D8/68
6,880,645	B2 *	4/2005	Izumisawa ....	173/169
D519,807	S *	5/2006	Chen ....	D8/68
D521,339	S *	5/2006	Chen ....	D8/68
7,191,849	B2 *	3/2007	Chen ....	173/168
D572,991	S *	7/2008	Chen ....	D8/68
2003/0037939	A1 *	2/2003	Taga ....	173/168
2008/0066937	A1 *	3/2008	Kobayashi ....	173/104

\* cited by examiner

*Primary Examiner*—T. Chase Nelson

*Assistant Examiner*—Karen Acker

(74) *Attorney, Agent, or Firm*—Greer, Burns & Crain, Ltd.

(57) **CLAIM**

The ornamental design for the impact tool, as shown and described.

**DESCRIPTION**

FIG. 1 is a perspective view of the impact tool showing my new design;

FIG. 2 is a right side view of the impact tool of FIG. 1, the left side view being a mirror image thereof;

FIG. 3 is a front view of the impact tool of FIG. 1;

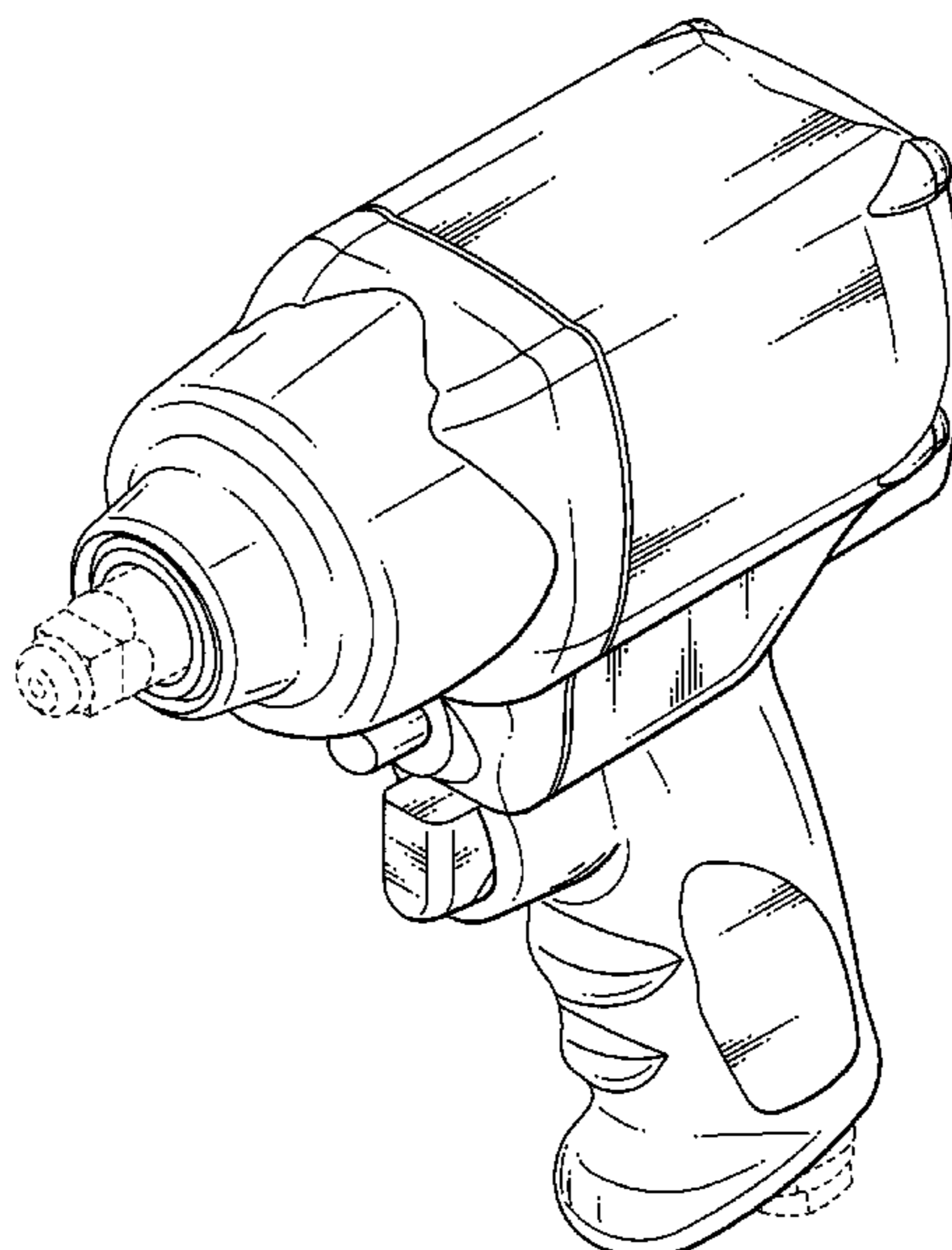
FIG. 4 is a rear view of the impact tool of FIG. 1;

FIG. 5 is a top view of the impact tool of FIG. 1; and,

FIG. 6 is a bottom view of the impact tool of FIG. 1.

The broken lines in the drawing represent unclaimed portions of the impact tool.

**1 Claim, 5 Drawing Sheets**



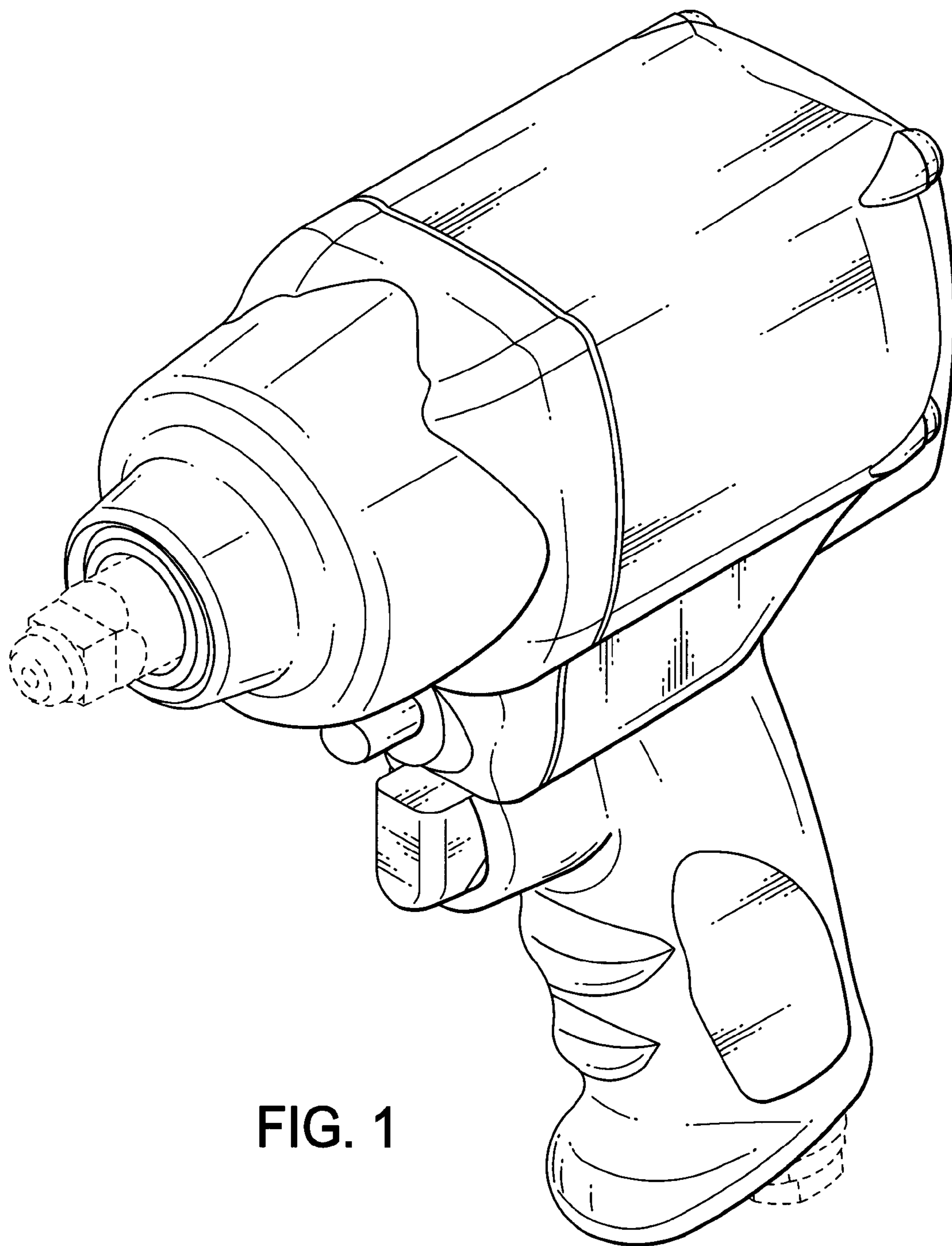


FIG. 1

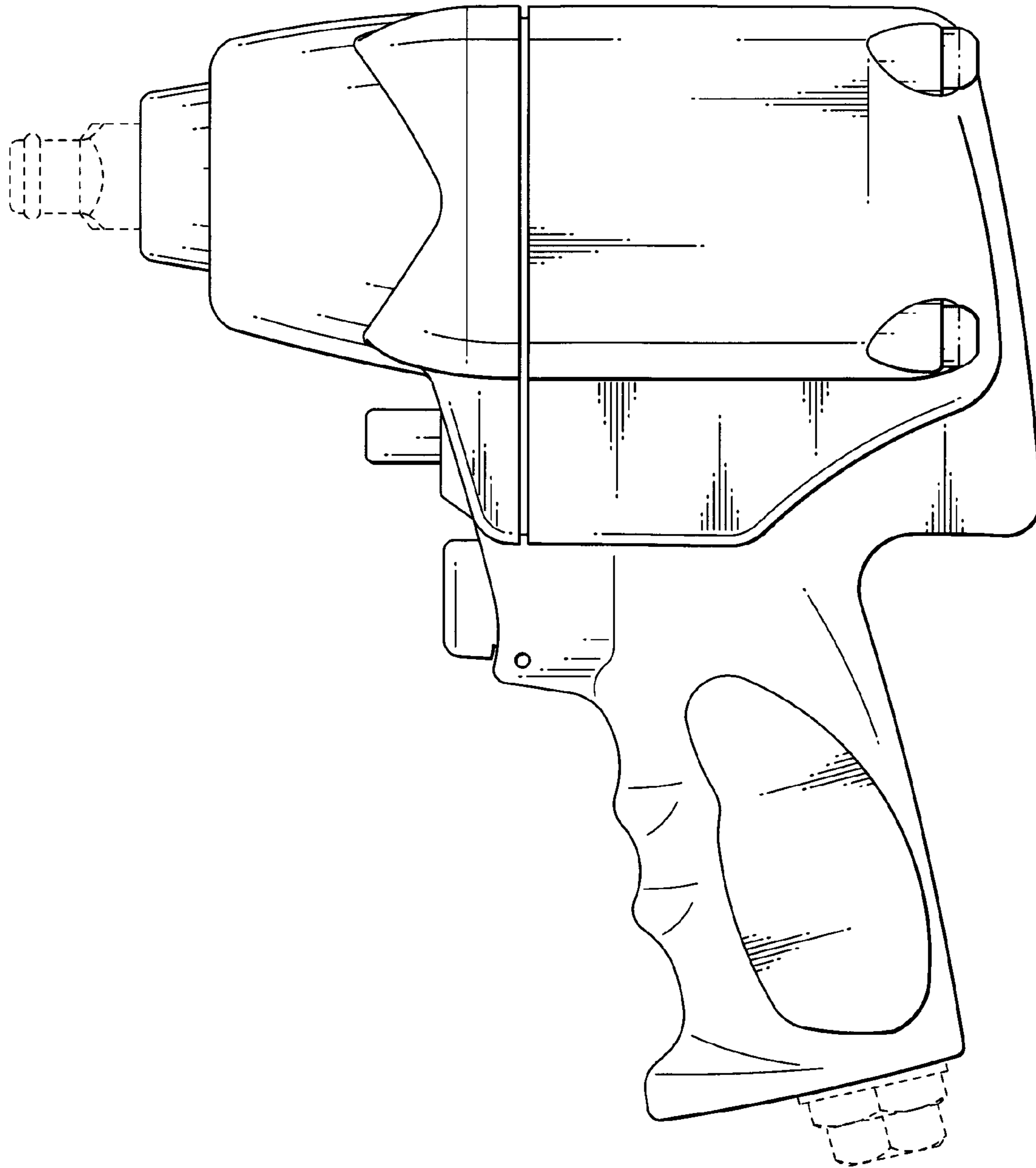


FIG. 2

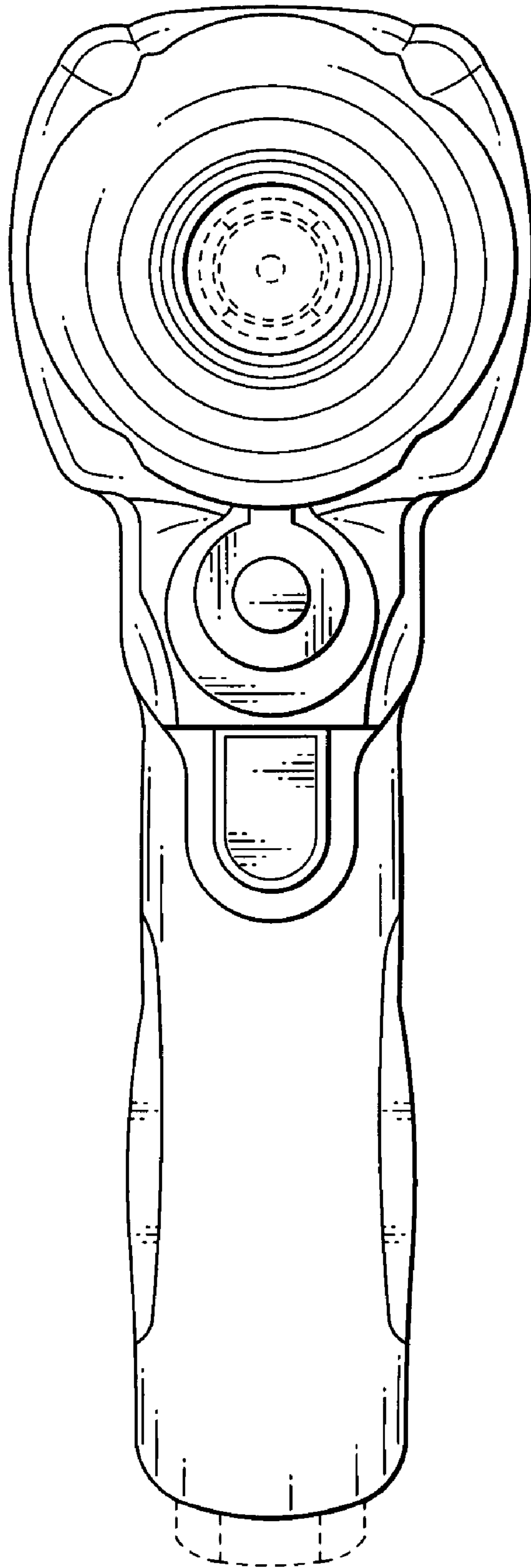


FIG. 3

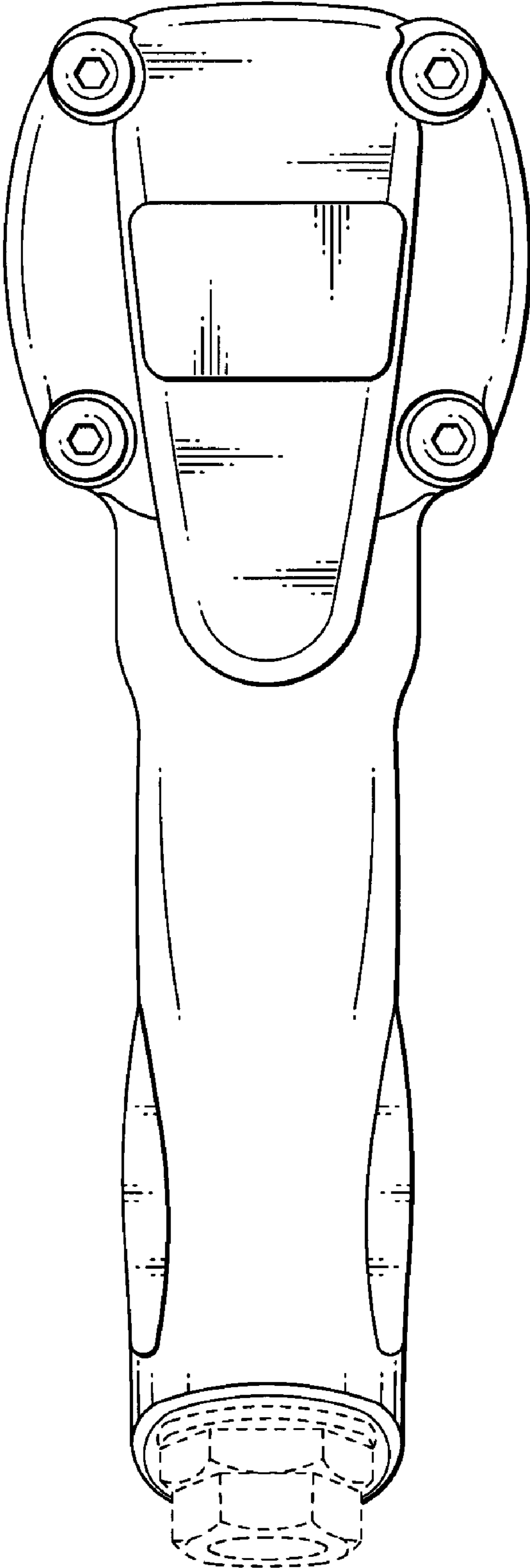


FIG. 4

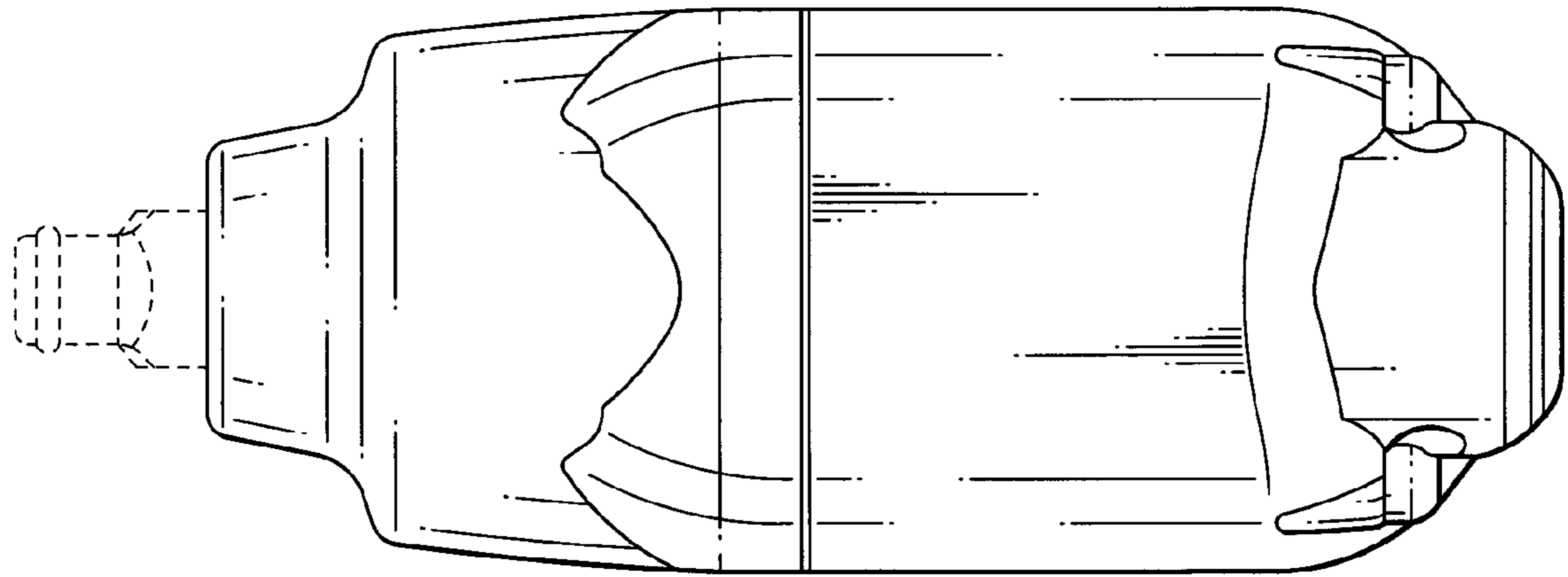


FIG. 5

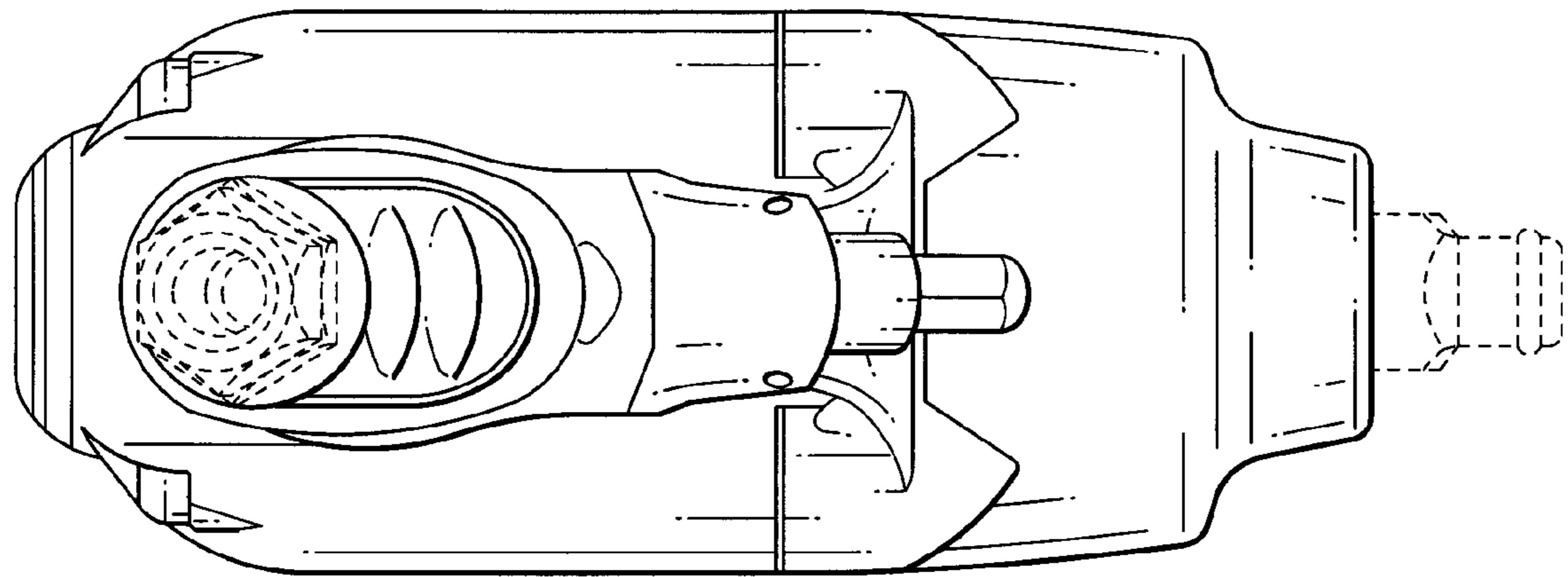


FIG. 6