



US00D591125S

(12) **United States Design Patent**
Groten

(10) **Patent No.:** **US D591,125 S**

(45) **Date of Patent:** **** Apr. 28, 2009**

(54) **TUBE CUTTER**

(75) Inventor: **Bernhard Groten**, Irun (ES)

(73) Assignee: **Zenten Bernhard Groten, S.L.**,
Guipuzcoa (ES)

(**) Term: **14 Years**

(21) Appl. No.: **29/294,988**

(22) Filed: **Feb. 5, 2008**

(30) **Foreign Application Priority Data**

Aug. 6, 2007 (EM) 000769765-0001

(51) **LOC (9) Cl.** **08-03**

(52) **U.S. Cl.** **D8/60**

(58) **Field of Classification Search** D8/4,
D8/5, 14, 51, 52, 57, 59, 60, 98, 105; D15/127-129;
30/92-108

See application file for complete search history.

(56) **References Cited**

U.S. PATENT DOCUMENTS

2,071,756	A *	2/1937	Manville	30/102
2,325,353	A *	7/1943	Wright	30/102
D143,075	S *	12/1945	Ingwer	D8/60
2,508,291	A *	5/1950	Porro	30/93
D161,438	S *	1/1951	Franck	D8/60
D178,363	S *	7/1956	Halligan	D8/60
3,031,237	A *	4/1962	Weibel	30/102
3,070,885	A *	1/1963	Musy et al.	30/102
3,097,428	A *	7/1963	Lutsker	30/102

3,240,088	A *	3/1966	Samuels et al.	30/102
3,376,638	A *	4/1968	Bjalme et al.	30/102
3,520,057	A *	7/1970	Gore et al.	30/102
D219,572	S *	12/1970	Shames	D8/60
3,906,561	A *	9/1975	Bawa	D8/98
5,345,682	A *	9/1994	Dubinsky et al.	30/102
6,226,823	B1 *	5/2001	Ma Gee	30/102
6,357,119	B1 *	3/2002	Acerra	30/102

* cited by examiner

Primary Examiner—Cathron C Brooks

Assistant Examiner—Deanna Fluegeman

(74) *Attorney, Agent, or Firm*—William L. Androlia; H. Henry Koda

(57) **CLAIM**

The ornamental design for a tube cutter, as shown and described.

DESCRIPTION

FIG. 1 is a front-right side perspective view of the tube cutter of my new design;

FIG. 2 is an enlarged front-right side perspective partial view thereof;

FIG. 3 is an enlarged rear-left side perspective partial view thereof;

FIG. 4 is an enlarged top perspective view thereof; and,

FIG. 5 is an enlarged bottom perspective view thereof.

The portions of the tube cutter shown in broken lines form no part of the claimed design.

1 Claim, 5 Drawing Sheets

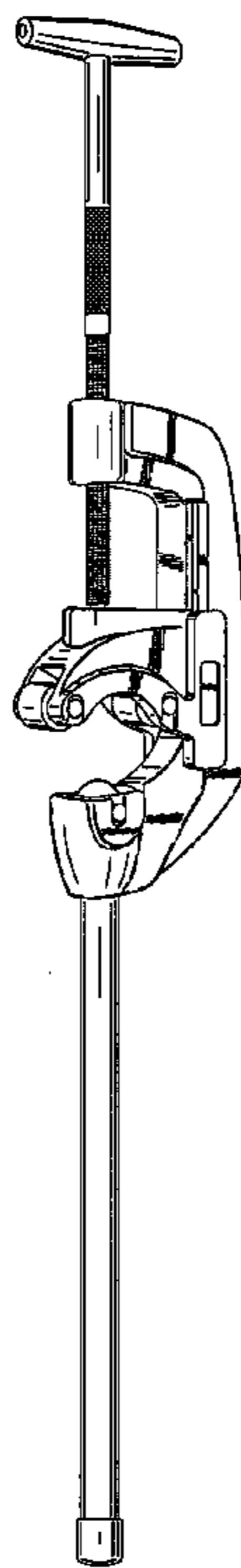
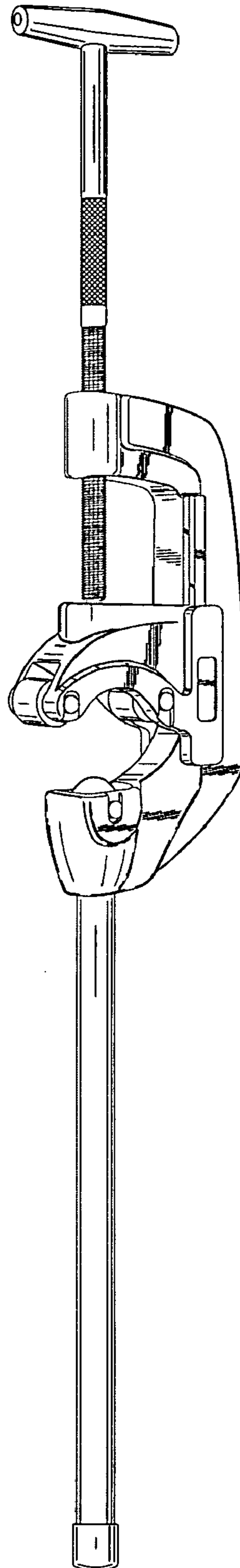


FIG. 1



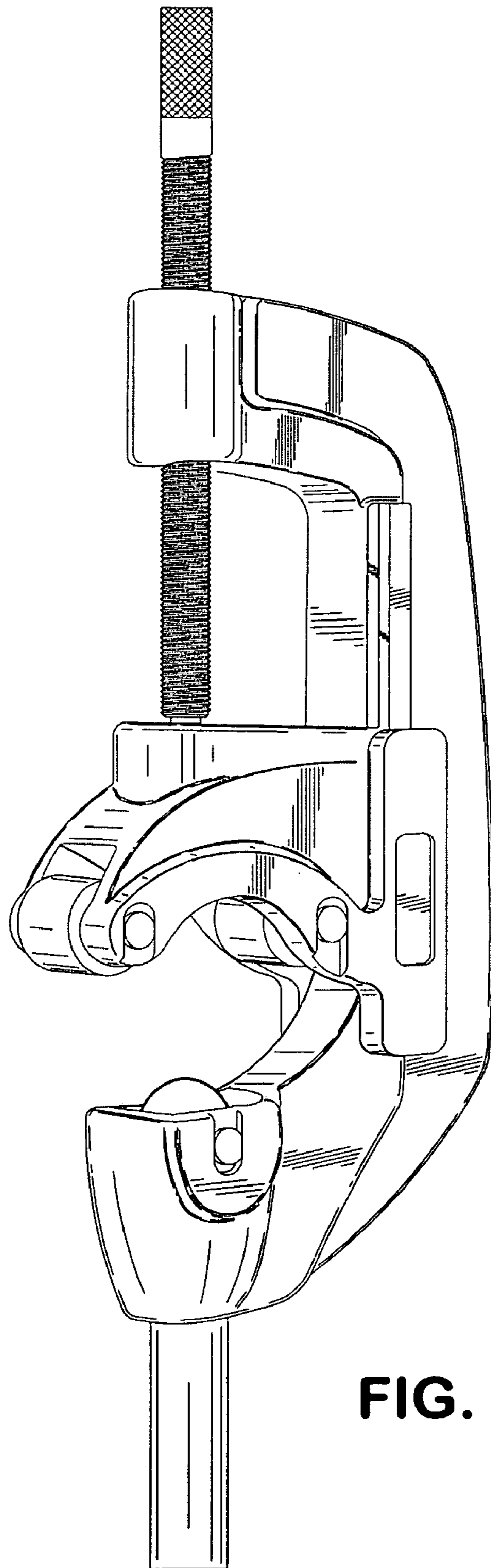


FIG. 2

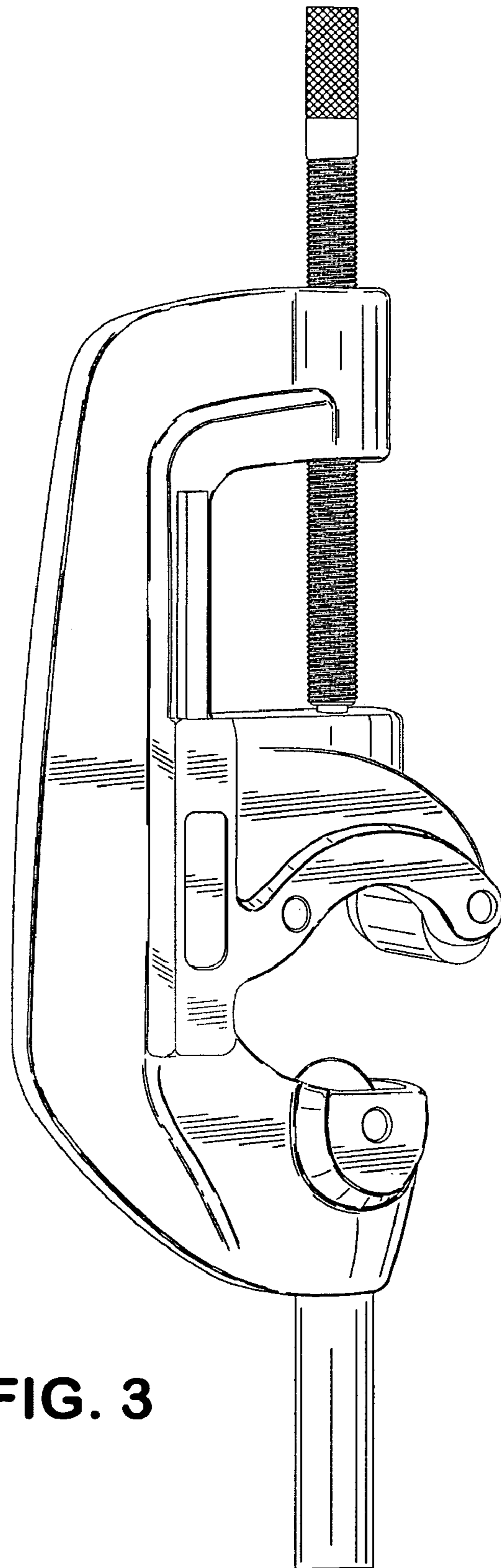


FIG. 3

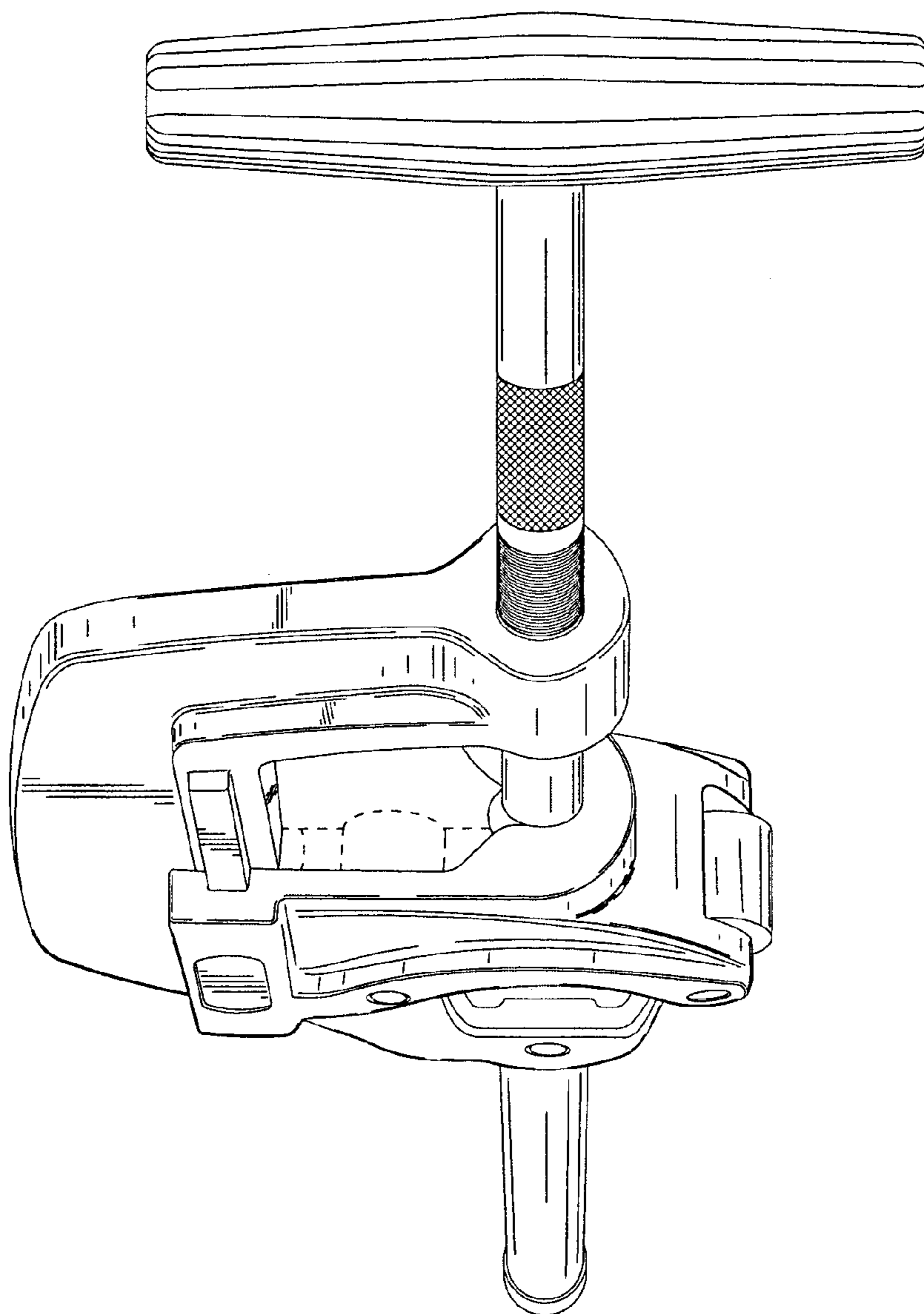


FIG. 4

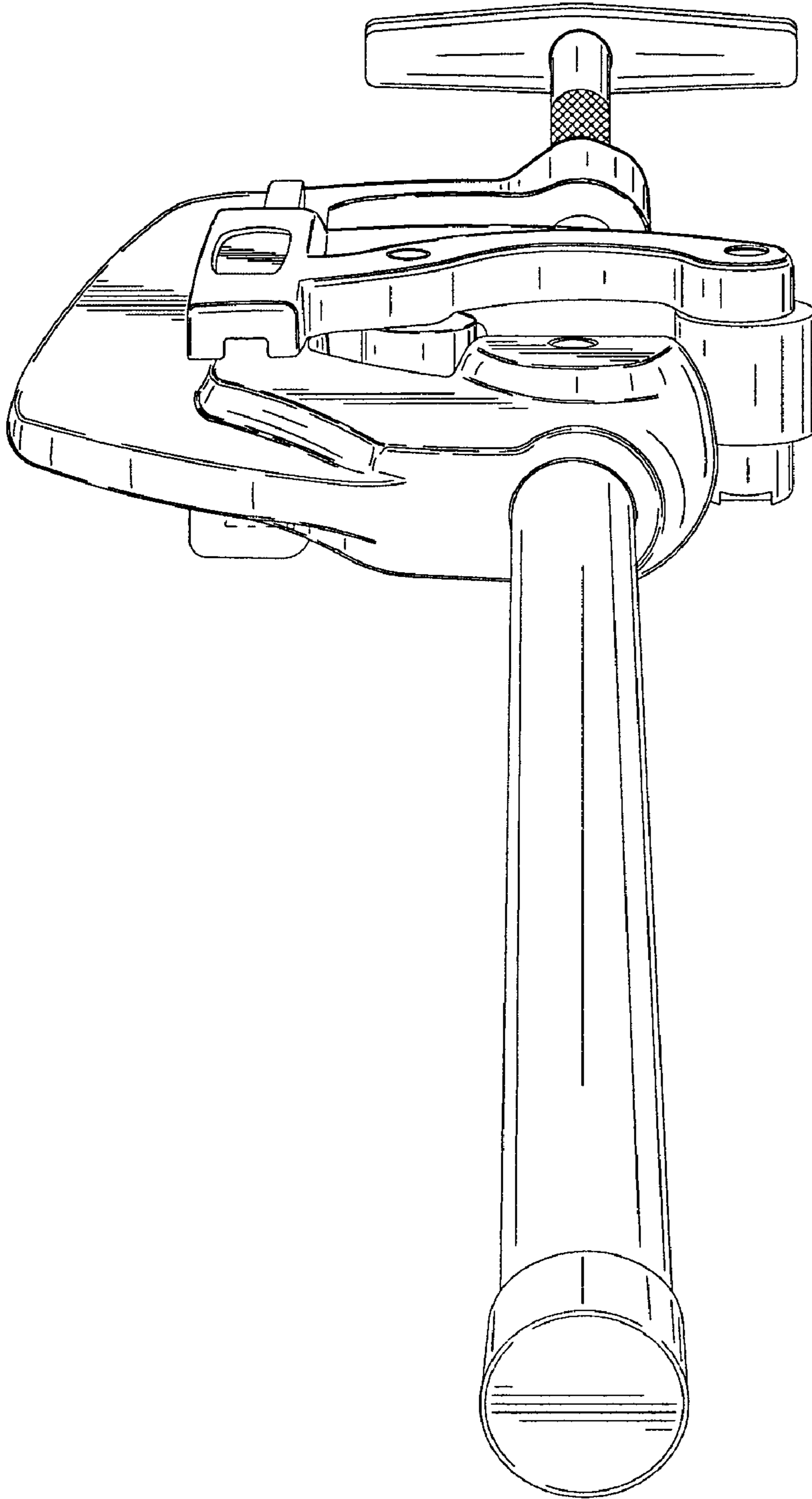


FIG. 5