



US00D591122S

(12) **United States Design Patent**
Buzby et al.

(10) **Patent No.:** **US D591,122 S**
(45) **Date of Patent:** **** Apr. 28, 2009**

(54) **PICK UP DEVICE WITH LOCKING MECHANISM AND LEVERAGE ACTION TRIGGER**

(75) Inventors: **David Buzby**, San Francisco, CA (US); **Dinosio Rodriguez**, Laguna Niguel, CA (US)

(73) Assignee: **Reid Industries**, San Francisco, CA (US)

(**) Term: **14 Years**

(21) Appl. No.: **29/264,540**

(22) Filed: **Aug. 12, 2006**

(51) **LOC (9) Cl.** **08-05**

(52) **U.S. Cl.** **D8/51**

(58) **Field of Classification Search** D8/1, D8/4, 14, 51, 52; D34/28; 294/19.1, 3, 11, 294/28, 50.9, 104, 50; 81/53.11, 418, 427.5, 81/324, 381

See application file for complete search history.

(56) **References Cited**

U.S. PATENT DOCUMENTS

388,776 A 8/1888 Hall

(Continued)

FOREIGN PATENT DOCUMENTS

FR 1080718 12/1954

OTHER PUBLICATIONS

“Robot Claw Grabber” by Toymith, from <http://web.archive.org/web/20050227054600/http://www.toys2wish4.com/robclawgrab.html>.

Primary Examiner—Cathron C Brooks

Assistant Examiner—Deanna Fluegeman

(74) *Attorney, Agent, or Firm*—Quine Intellectual Property Law Group, P.C.; Paul Littlepage

(57) **CLAIM**

The ornamental design for a pick up device with locking mechanism and leverage action trigger, as shown and described.

DESCRIPTION

FIG. 1 is a bottom perspective view of a pick up device with locking mechanism and leverage action trigger showing the new design, with the shaft broken away between solid and broken line areas to indicate that no particular length is claimed;

FIG. 2 is a side view thereof;

FIG. 3 is a top plan view thereof;

FIG. 4 is a bottom plan view thereof;

FIG. 5 is a front end view thereof;

FIG. 6 is a rear end view thereof;

FIG. 7 is a bottom perspective view of a second embodiment of the pick up device with locking mechanism and leverage action trigger, the differences being a particular length of shaft is claimed, and the absence of a rear end loop opening; it being understood that all other surfaces are the same as those of the embodiment in FIG. 1;

FIG. 8 is a bottom perspective view of a third embodiment of the pick up device with locking mechanism and leverage action trigger, the difference being a particular length of shaft is claimed; it being understood that all other surfaces are the same as those of the embodiment in FIG. 1; and,

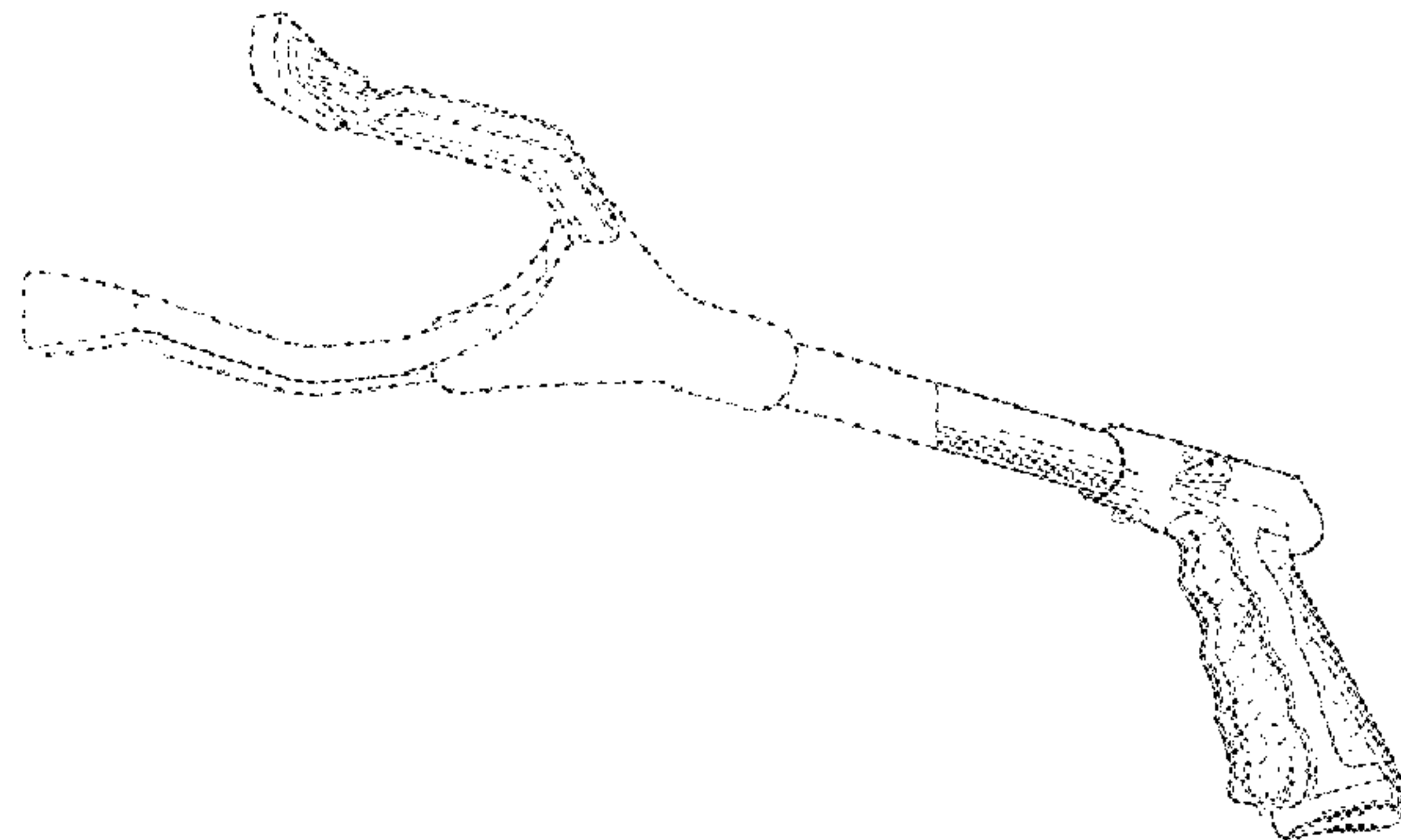
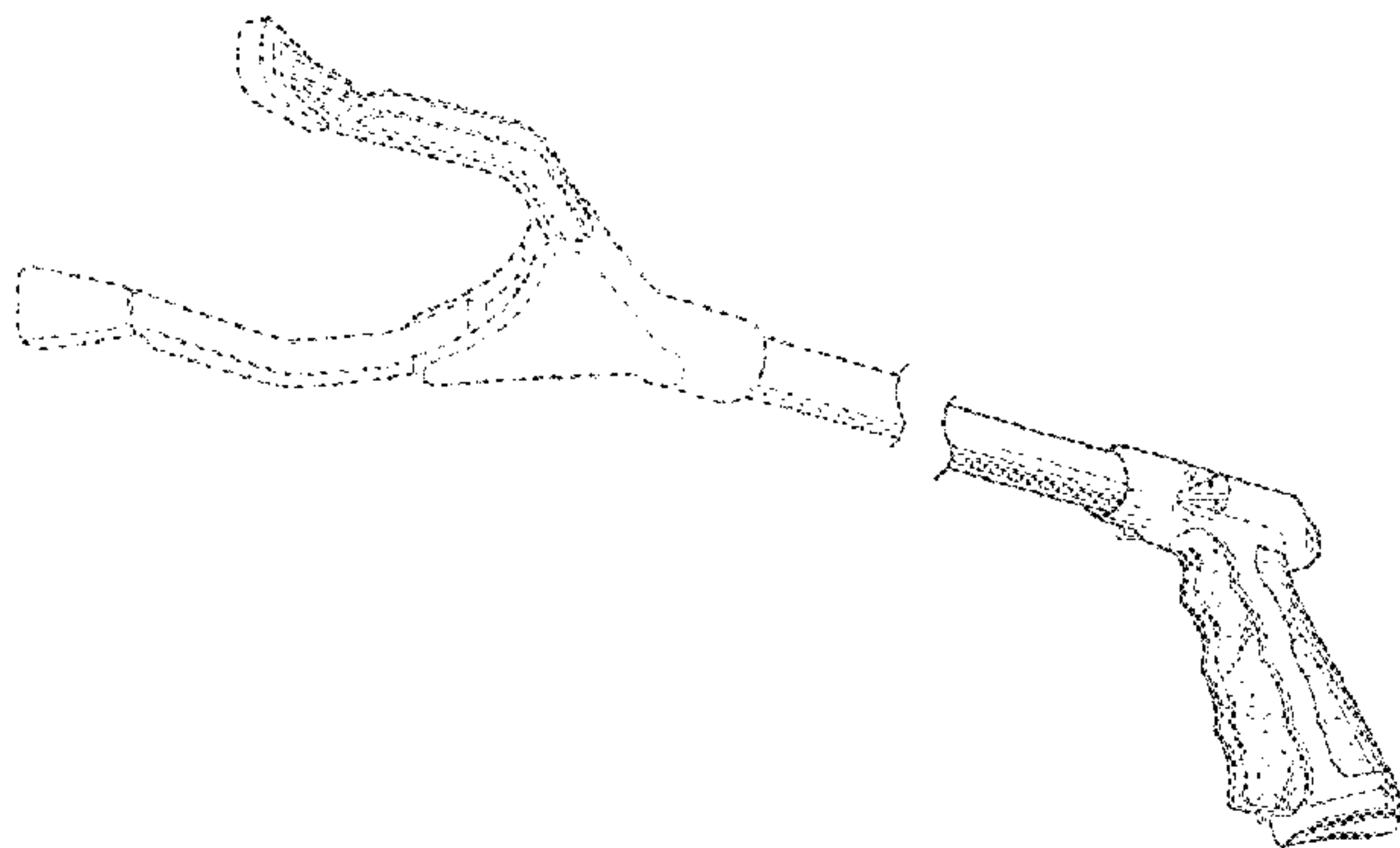
FIG. 9 is a side view of a fourth embodiment of the pick up device with locking mechanism and leverage action trigger, the difference being a fixed and shorter length of shaft is claimed; it being understood that all other surfaces are the same as those of the embodiment in FIG. 1.

The broken line showing of portions of the pick up device with locking mechanism and leverage action trigger form no part of the claimed design.

The broken line through the shaft in each of FIGS. 7–9 defines a boundary of the claimed design and forms no part thereof.

The shaft in the design in FIGS. 1–4 is shown broken away to indicate that no particular length is claimed.

1 Claim, 9 Drawing Sheets



US D591,122 S

Page 2

U.S. PATENT DOCUMENTS					
			5,154,465 A	10/1992	Pakosh
			5,380,054 A	1/1995	Galvis
826,160 A	7/1906	Hall	5,577,785 A	11/1996	Traber et al.
919,731 A *	4/1909	Le May 294/22	5,590,923 A	1/1997	Berger et al.
923,376 A *	6/1909	Savage 294/22	5,857,723 A	1/1999	Mathieu et al.
944,214 A	12/1909	Rydquist	5,895,082 A	4/1999	Kaluzny
1,051,374 A	1/1913	Agin	6,129,740 A	10/2000	Michelson
2,613,100 A	10/1952	Casey	6,257,634 B1	7/2001	Wei
2,616,741 A	11/1952	Ziese	6,457,761 B1	10/2002	Benoit
3,219,376 A	11/1965	Peters	6,508,496 B1	1/2003	Huang
3,346,293 A	10/1967	Wilcox	6,513,844 B1	2/2003	Hsu
D211,196 S *	5/1968	Hollis D8/4	6,520,556 B1	2/2003	Hsu
3,576,343 A	4/1971	Juhlin et al.	D473,763 S *	4/2003	Jones D8/4
3,761,121 A	9/1973	Reid	6,609,322 B1	8/2003	Michelson
3,934,915 A	1/1976	Humpa	6,669,254 B2	12/2003	Thom et al.
4,039,216 A	8/1977	Soos	6,739,637 B2	5/2004	Hsu
4,374,600 A	2/1983	van Zelm	6,848,731 B2	2/2005	Khubani et al.
4,398,759 A	8/1983	Manola	6,860,179 B2 *	3/2005	Hopper et al. 81/318
4,613,179 A	9/1986	van Zelm	6,874,833 B2	4/2005	Keith et al.
4,647,094 A	3/1987	Bergkvist et al.	6,973,859 B2 *	12/2005	Noniewicz 81/320
4,669,769 A	6/1987	Polder	7,038,154 B2 *	5/2006	Hofte et al. 200/332
4,758,035 A	7/1988	Shimasaki	7,261,349 B1 *	8/2007	Gregor 294/19.1
D298,728 S *	11/1988	Bergkvist et al. D8/51	7,344,171 B1	3/2008	McMullan
4,863,204 A	9/1989	Peters	2005/0057055 A1	3/2005	Deal
4,962,957 A	10/1990	Traber			

* cited by examiner

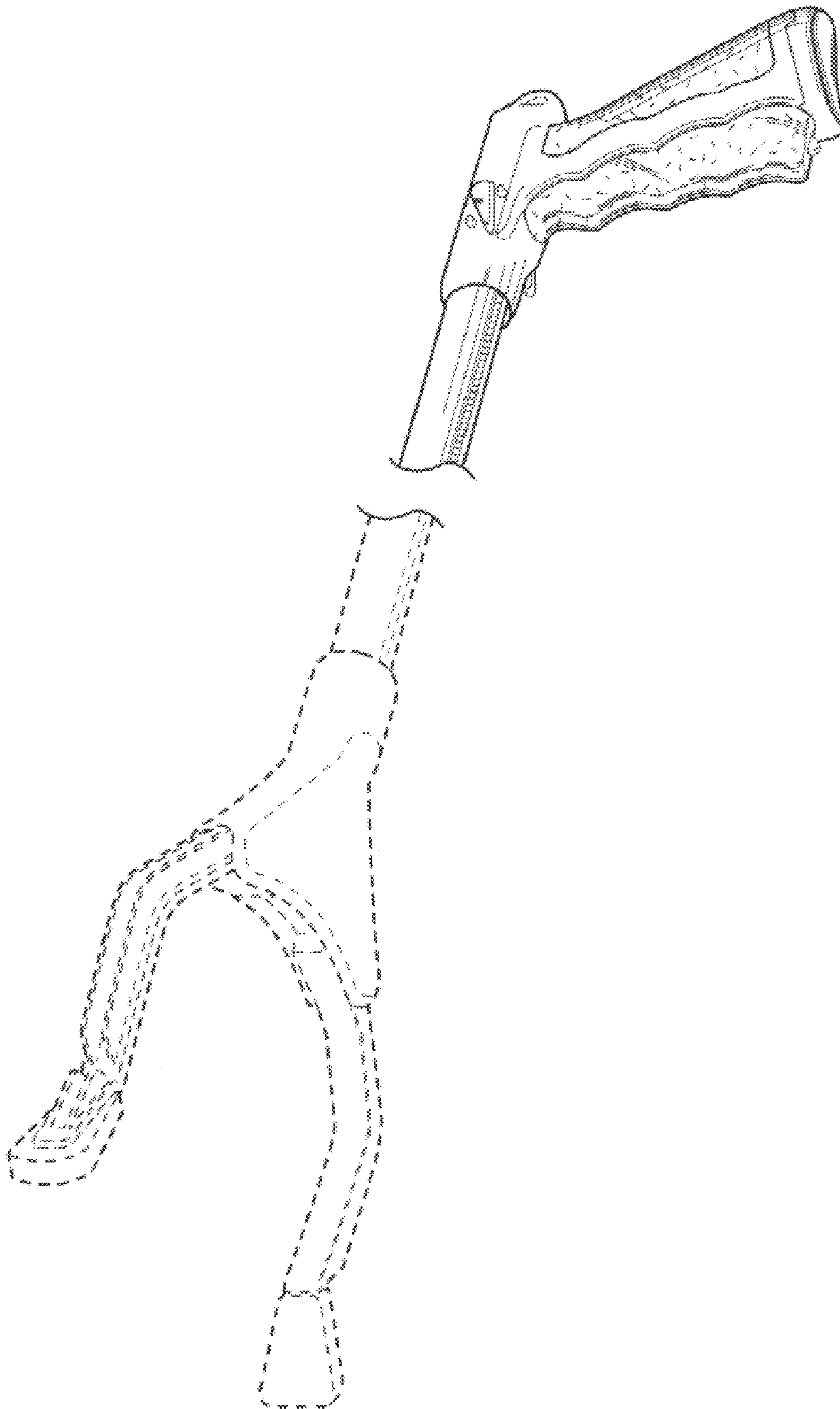


Fig.1

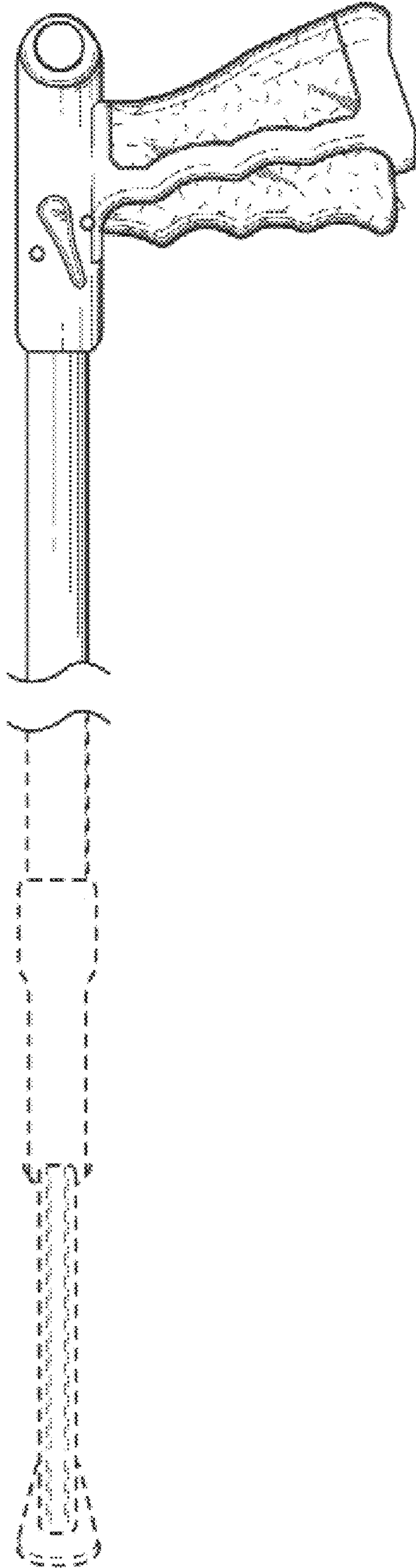


Fig. 2

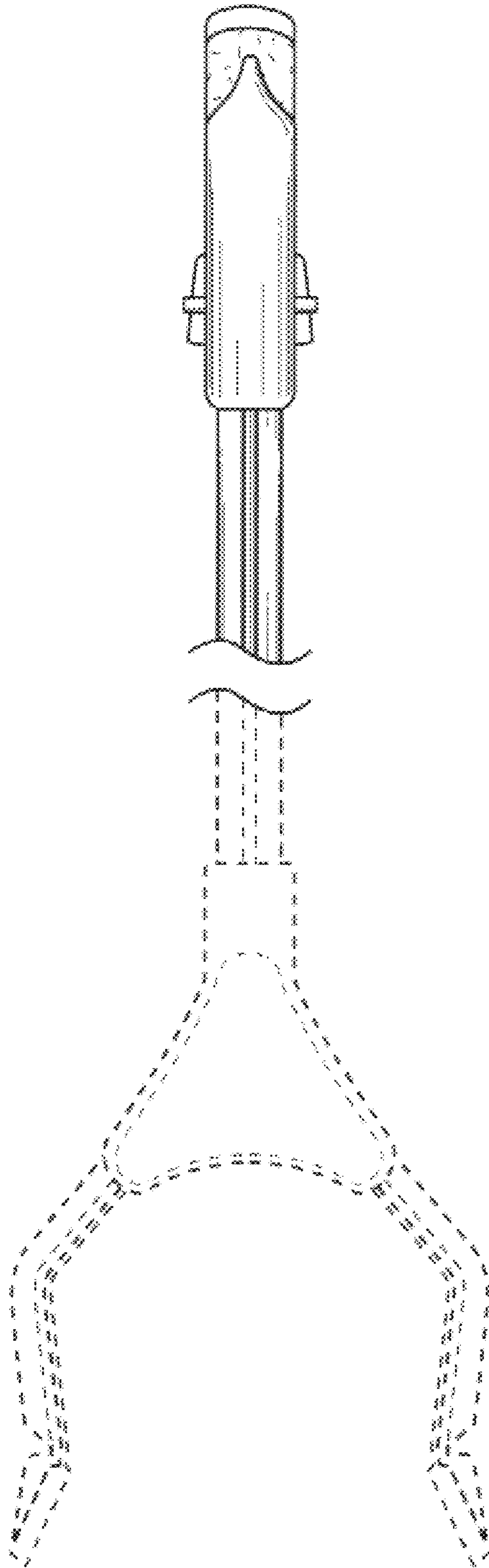


Fig. 3

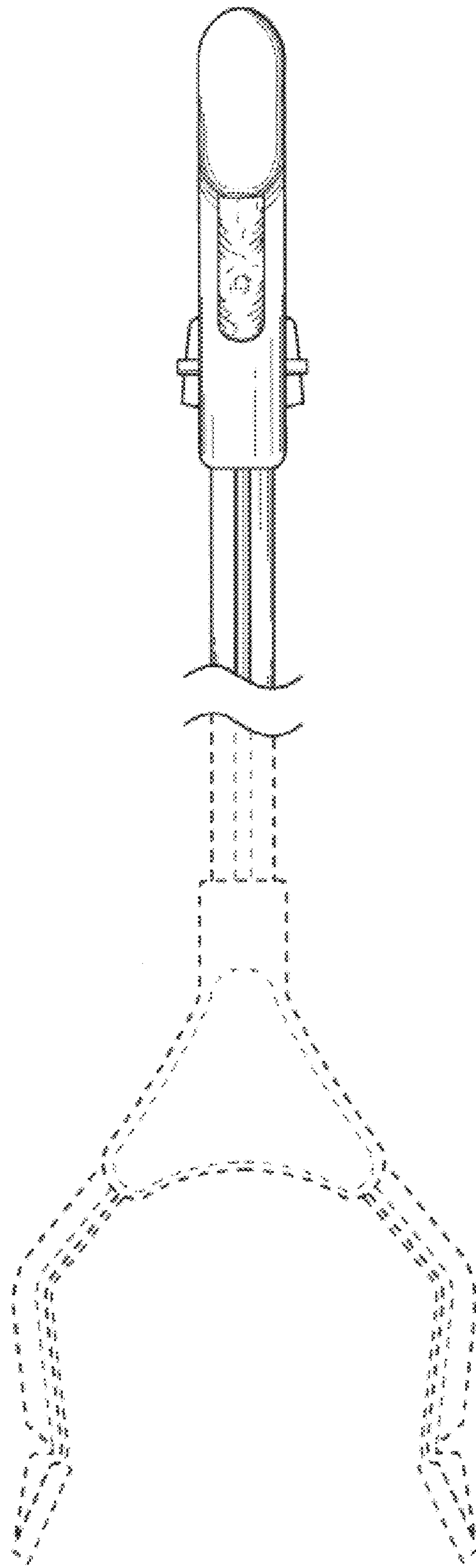


Fig. 4

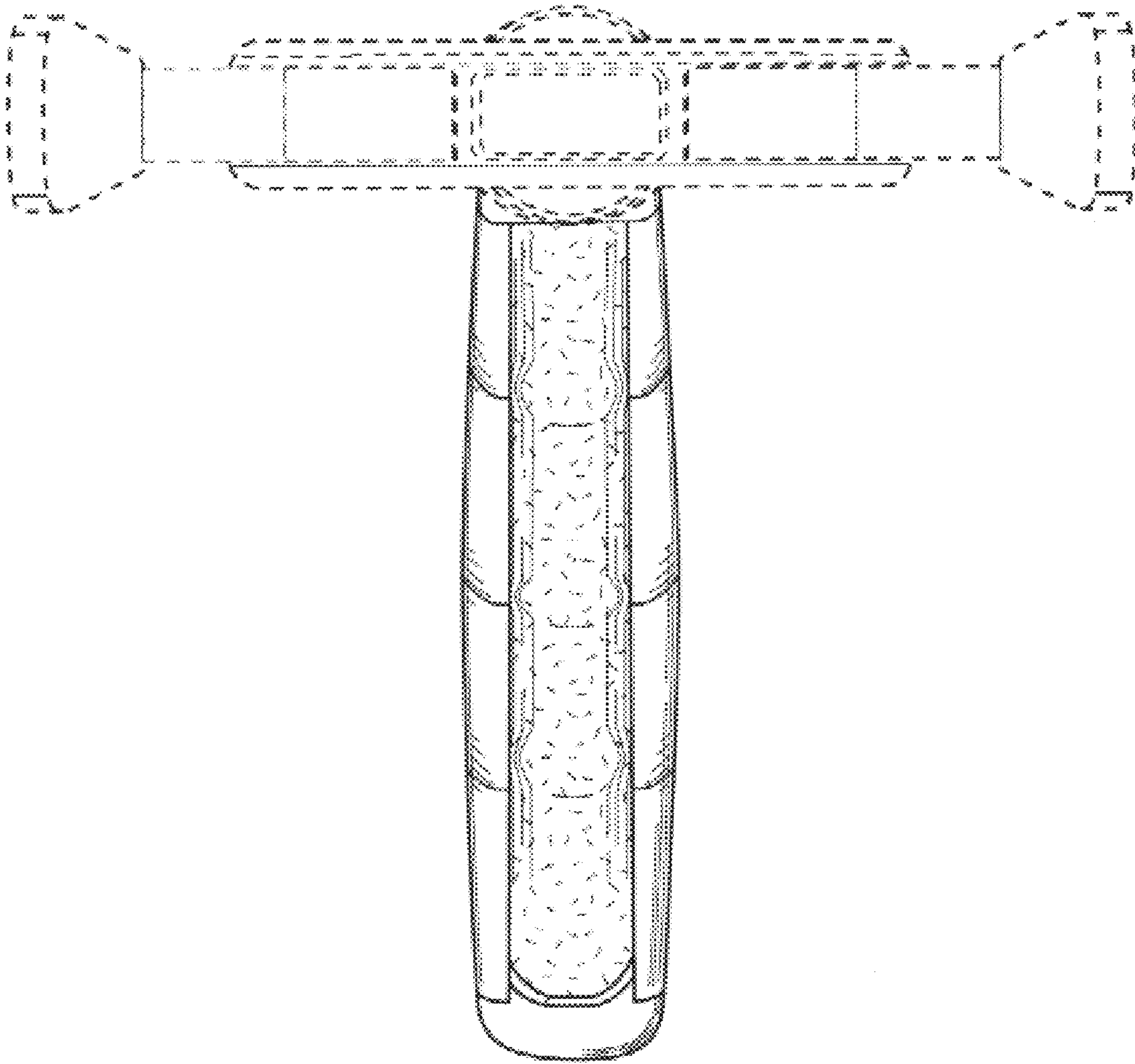


Fig. 5

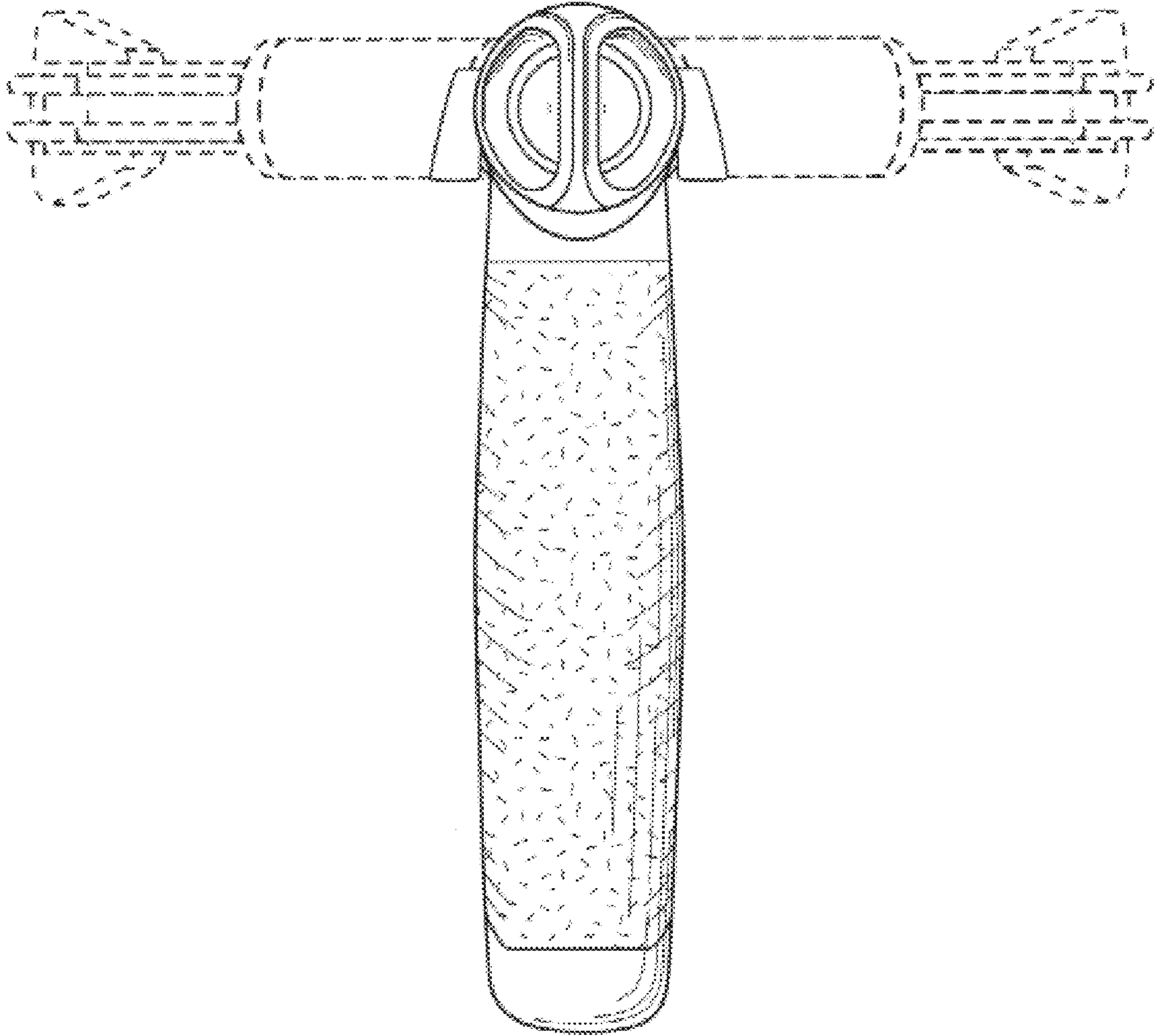


Fig. 6

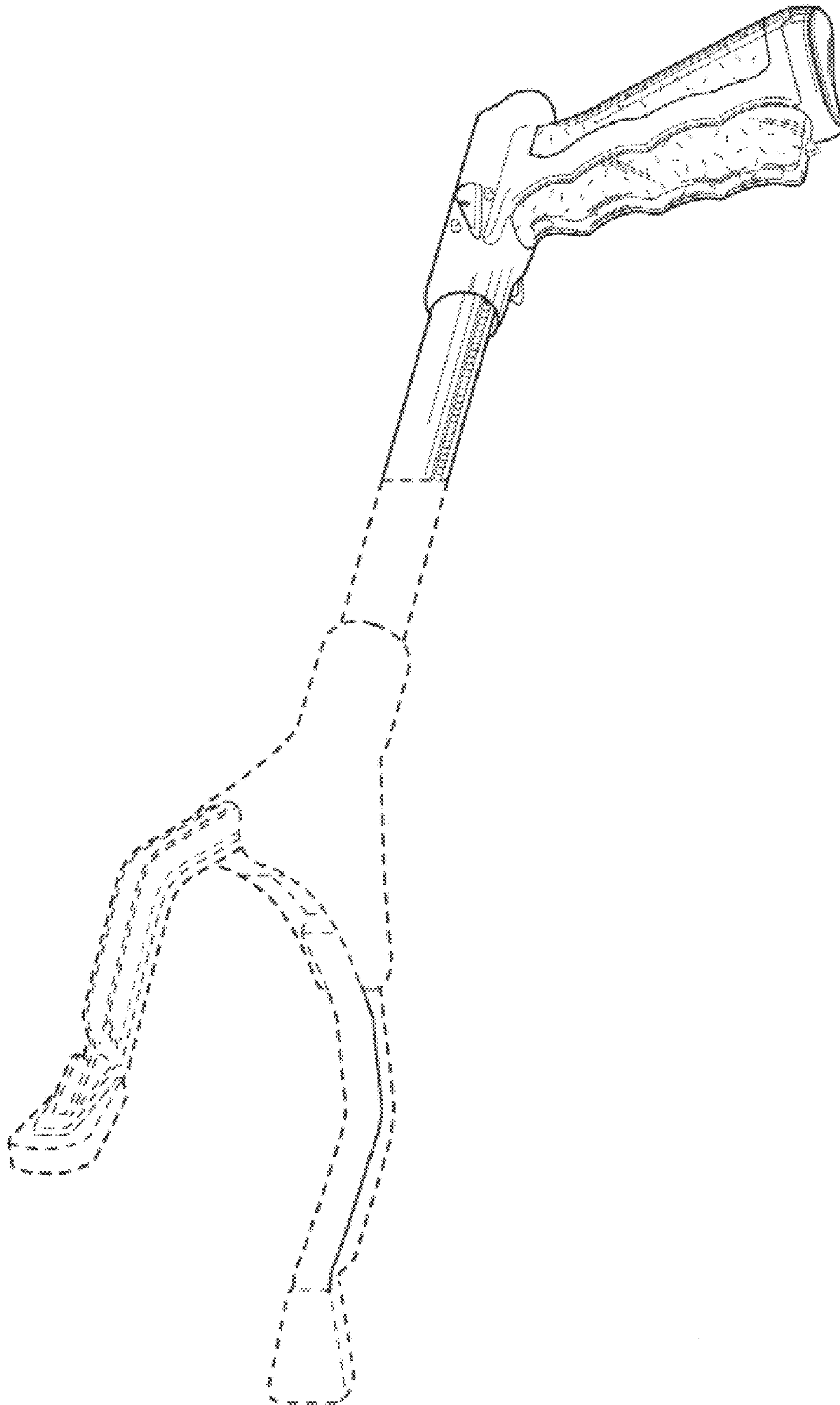


Fig.7

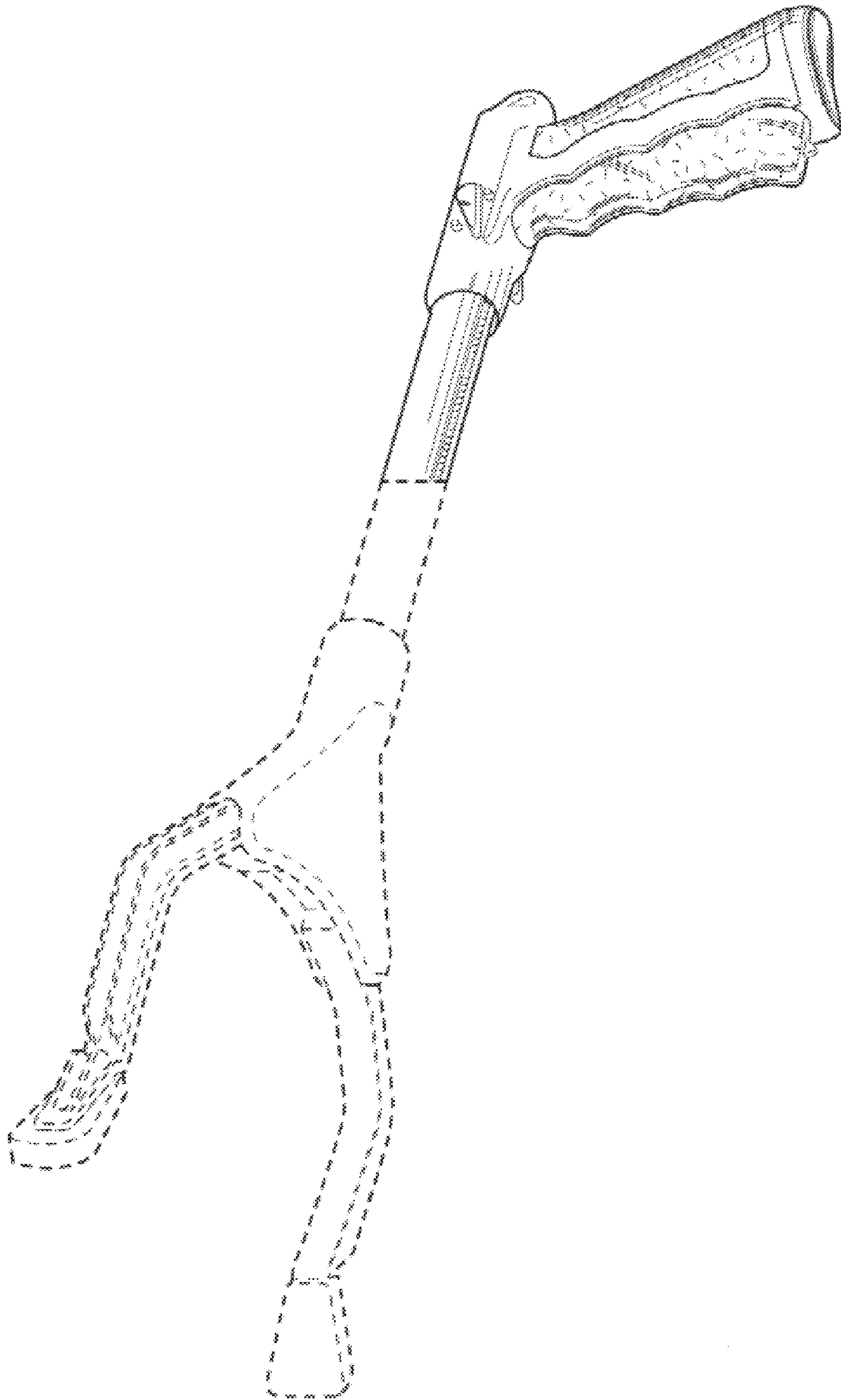


Fig. 8

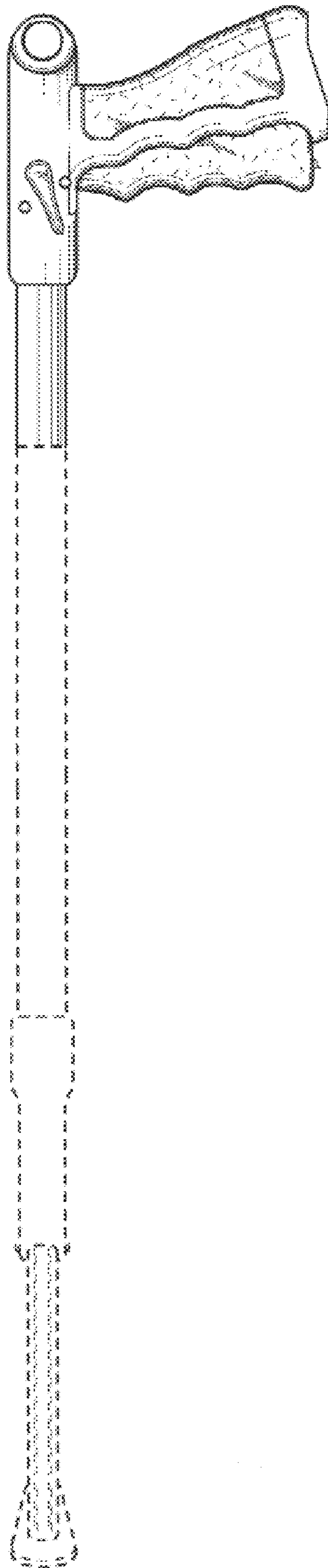


Fig. 9