

US00D591120S

(12) **United States Design Patent**
Buzby et al.

(10) **Patent No.:** **US D591,120 S**

(45) **Date of Patent:** **** Apr. 28, 2009**

(54) **PICK UP DEVICE WITH LOCKING MECHANISM AND LEVERAGE ACTION TRIGGER**

(75) Inventors: **David Buzby**, San Francisco, CA (US);
Dinosio Rodriguez, Laguna Niguel, CA (US)

(73) Assignee: **Reid Industries**, San Francisco, CA (US)

(**) Term: **14 Years**

(21) Appl. No.: **29/264,530**

(22) Filed: **Aug. 12, 2006**

(51) **LOC (9) Cl.** **08-05**

(52) **U.S. Cl.** **D8/51**

(58) **Field of Classification Search** D8/1,
D8/4, 14, 51, 52; D34/28; 294/19.1, 3, 11,
294/28, 50.9, 104, 50; 81/53.11, 418, 427.5,
81/324, 381

See application file for complete search history.

(56) **References Cited**

U.S. PATENT DOCUMENTS

388,776 A 8/1888 Hall

(Continued)

FOREIGN PATENT DOCUMENTS

FR 1080718 12/1954

OTHER PUBLICATIONS

“Robot Claw Grabber” by Toysmith, from <http://web.archive.org/web/20050227054600/http://www.toys2wish4.com/robclawgrab.html>.

Primary Examiner—Cathron C Brooks

Assistant Examiner—Deanna Fluegeman

(74) *Attorney, Agent, or Firm*—Quine Intellectual Property Law Group, P.C.; Paul Littlepage

(57) **CLAIM**

The ornamental design for a pick up device with locking mechanism and leverage action trigger, as shown and described.

DESCRIPTION

FIG. 1 is a bottom perspective view of a pick up device with locking mechanism and leverage action trigger showing the new design, with the shaft broken away between the solid and broken line areas to indicate that no particular length is claimed;

FIG. 2 is a side view thereof;

FIG. 3 is a top plan view thereof;

FIG. 4 is a bottom plan view thereof;

FIG. 5 is a front end view thereof;

FIG. 6 is a rear end view thereof;

FIG. 7 is a bottom perspective view of a second embodiment of the pick up device with locking mechanism and leverage action trigger, the differences being a particular length of shaft is claimed, and the rounded off configuration on both sides of the device of the area between the shaft and jaw members; it being understood that all other surfaces are the same as those of the embodiment in FIG. 1;

FIG. 8 is a bottom perspective view of a third embodiment of the pick up device with locking mechanism and leverage action trigger, the difference being a particular length of shaft is claimed; it being understood that all other surfaces are the same as those of the embodiment in FIG. 1; and,

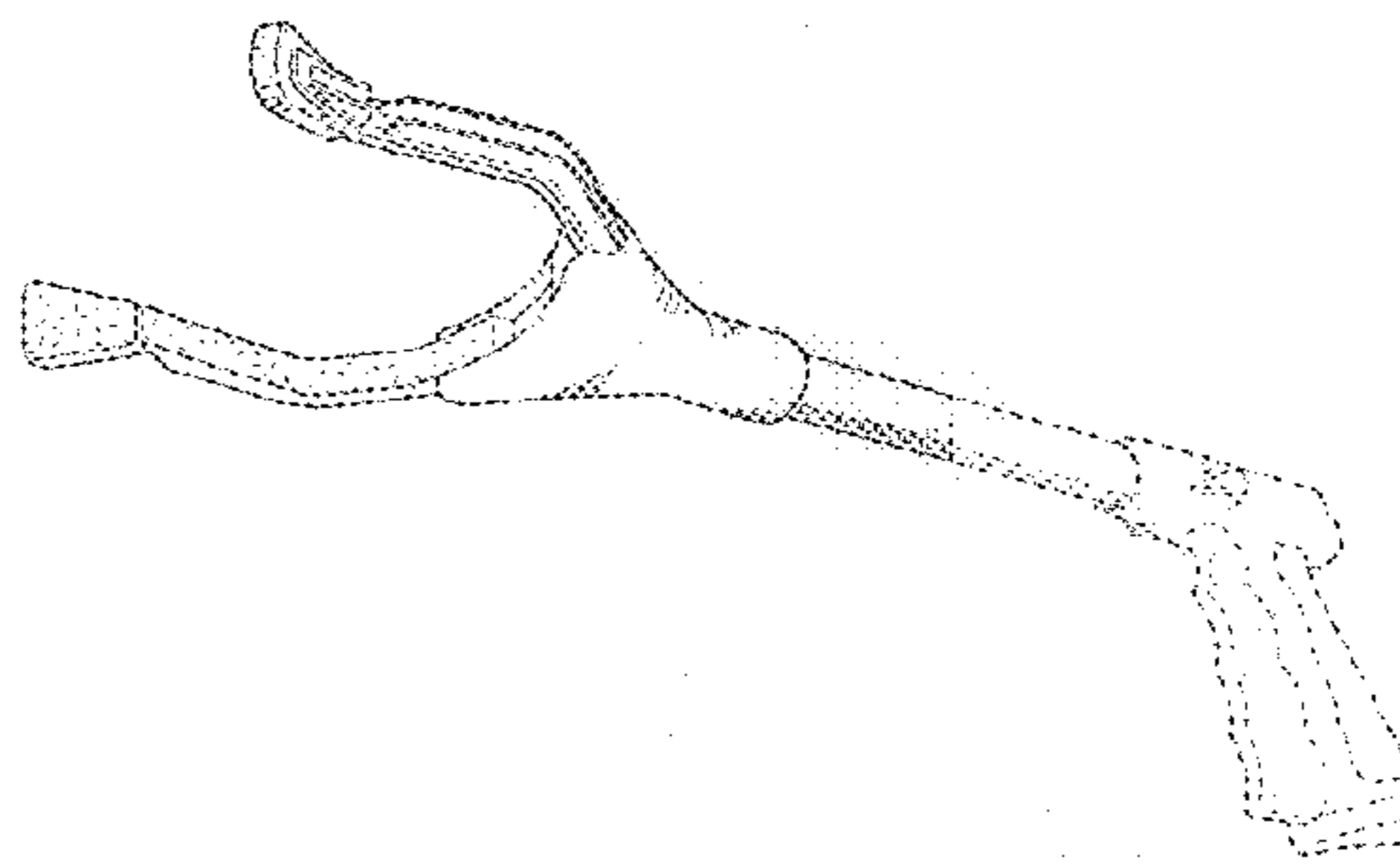
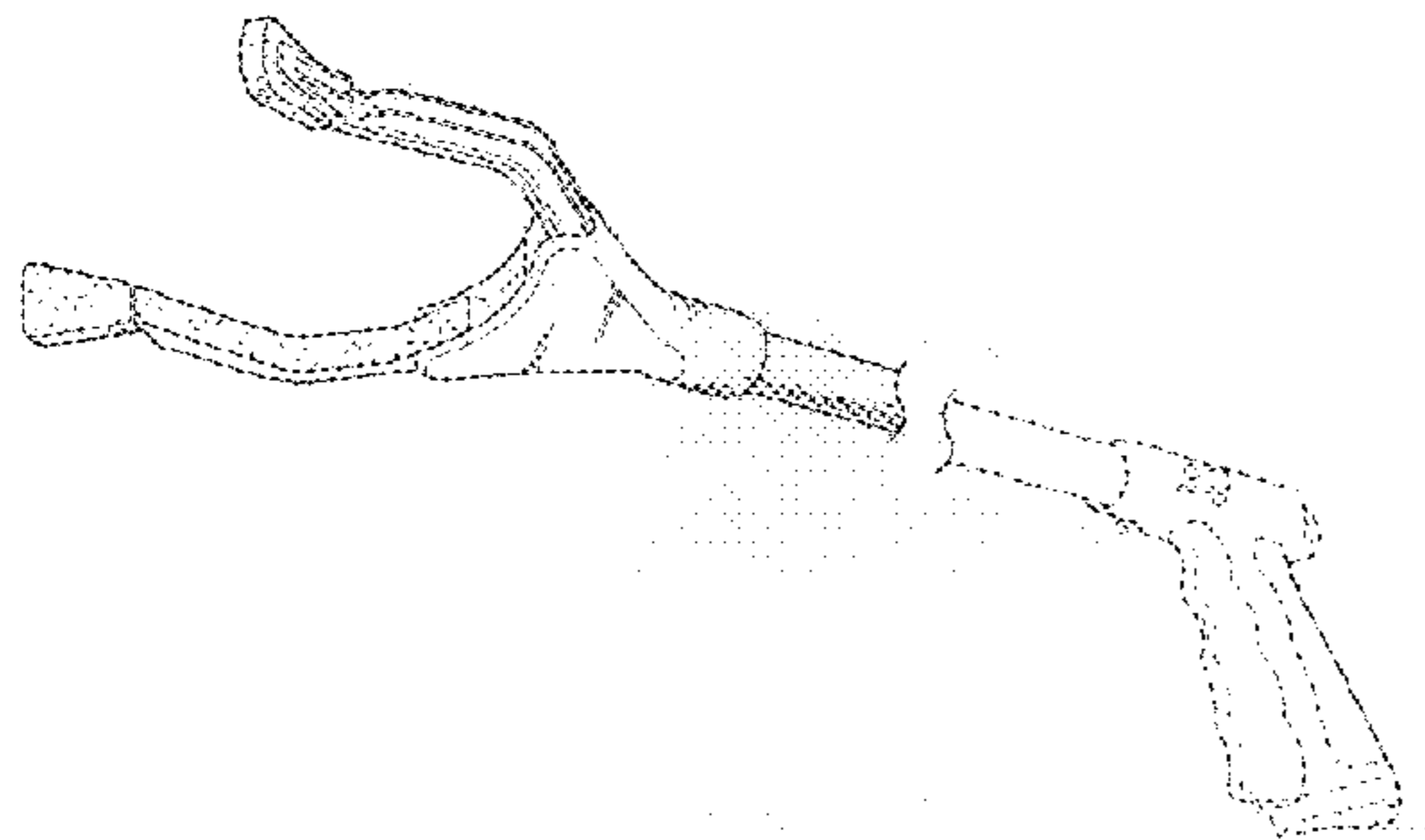
FIG. 9 is a side view of a fourth embodiment of the pick up device with locking mechanism and leverage action trigger, the difference being a fixed and longer length of shaft is claimed; it being understood that all other surfaces are the same as those of the embodiment in FIG. 1.

The broken line showing of portions of the pick up device with locking mechanism and leverage action trigger form no part of the claimed design.

The broken line through the shaft in each of FIGS. 7–9 defines a boundary of the claimed design and forms no part thereof.

The shaft in the design in FIGS. 1–4 is shown broken away to indicate that no particular length is claimed.

1 Claim, 9 Drawing Sheets



US D591,120 S

Page 2

| U.S. PATENT DOCUMENTS | | | | | |
|-----------------------|---------|-----------------------------|---------------------|---------|---------------------------|
| | | | 4,962,957 A | 10/1990 | Traber |
| | | | 5,154,465 A | 10/1992 | Pakosh |
| | | | 5,380,054 A | 1/1995 | Galvis |
| | | | 5,577,785 A | 11/1996 | Traber et al. |
| | | | 5,590,923 A | 1/1997 | Berger et al. |
| | | | 5,857,723 A | 1/1999 | Mathieu et al. |
| | | | 5,895,082 A | 4/1999 | Kaluzny |
| | | | 6,257,634 B1 | 7/2001 | Wei |
| | | | 6,457,761 B1 | 10/2002 | Benoit |
| | | | 6,508,496 B1 | 1/2003 | Huang |
| | | | 6,513,844 B1 | 2/2003 | Hsu |
| | | | 6,520,556 B1 | 2/2003 | Hsu |
| | | | D473,763 S * | 4/2003 | Jones D8/4 |
| | | | 6,669,254 B2 | 12/2003 | Thom et al. |
| | | | 6,739,637 B2 | 5/2004 | Hsu |
| | | | 6,848,731 B2 | 2/2005 | Khubani et al. |
| | | | 6,860,179 B2 * | 3/2005 | Hopper et al. 81/324 |
| | | | 6,874,833 B2 | 4/2005 | Keith et al. |
| | | | 6,973,859 B2 * | 12/2005 | Noniewicz 81/324 |
| | | | 7,038,154 B2 * | 5/2006 | Hofte et al. 200/332 |
| | | | 7,261,349 B1 * | 8/2007 | Gregor 294/19.1 |
| | | | 7,344,171 B1 | 3/2008 | McMullan |
| | | | 2005/0057055 A1 | 3/2005 | Deal |
| | | | * cited by examiner | | |
| 826,160 A | 7/1906 | Hall | | | |
| 919,731 A * | 4/1909 | La May 294/22 | | | |
| 923,376 A * | 6/1909 | Savage 294/22 | | | |
| 944,214 A | 12/1909 | Rydquist | | | |
| 1,051,374 A | 1/1913 | Agin | | | |
| 2,613,100 A | 10/1952 | Casey | | | |
| 2,616,741 A | 11/1952 | Ziese | | | |
| 3,219,376 A | 11/1965 | Peters | | | |
| 3,346,293 A | 3/1966 | Wilcox | | | |
| D211,196 S * | 5/1968 | Hollis D8/4 | | | |
| 3,576,343 A | 4/1971 | Juhlin et al. | | | |
| 3,761,121 A | 9/1973 | Reid | | | |
| 3,934,915 A | 1/1976 | Humpa | | | |
| 4,039,216 A | 8/1977 | Soos | | | |
| 4,374,600 A | 2/1983 | van Zelm | | | |
| 4,398,759 A | 8/1983 | Manola | | | |
| 4,613,179 A | 9/1986 | van Zelm | | | |
| 4,647,094 A | 3/1987 | Bergkvist et al. | | | |
| 4,669,769 A | 6/1987 | Polder | | | |
| 4,758,035 A | 7/1988 | Shimasaki | | | |
| D298,728 S * | 11/1988 | Bergkvist et al. D8/51 | | | |
| 4,863,204 A | 9/1989 | Peters | | | |

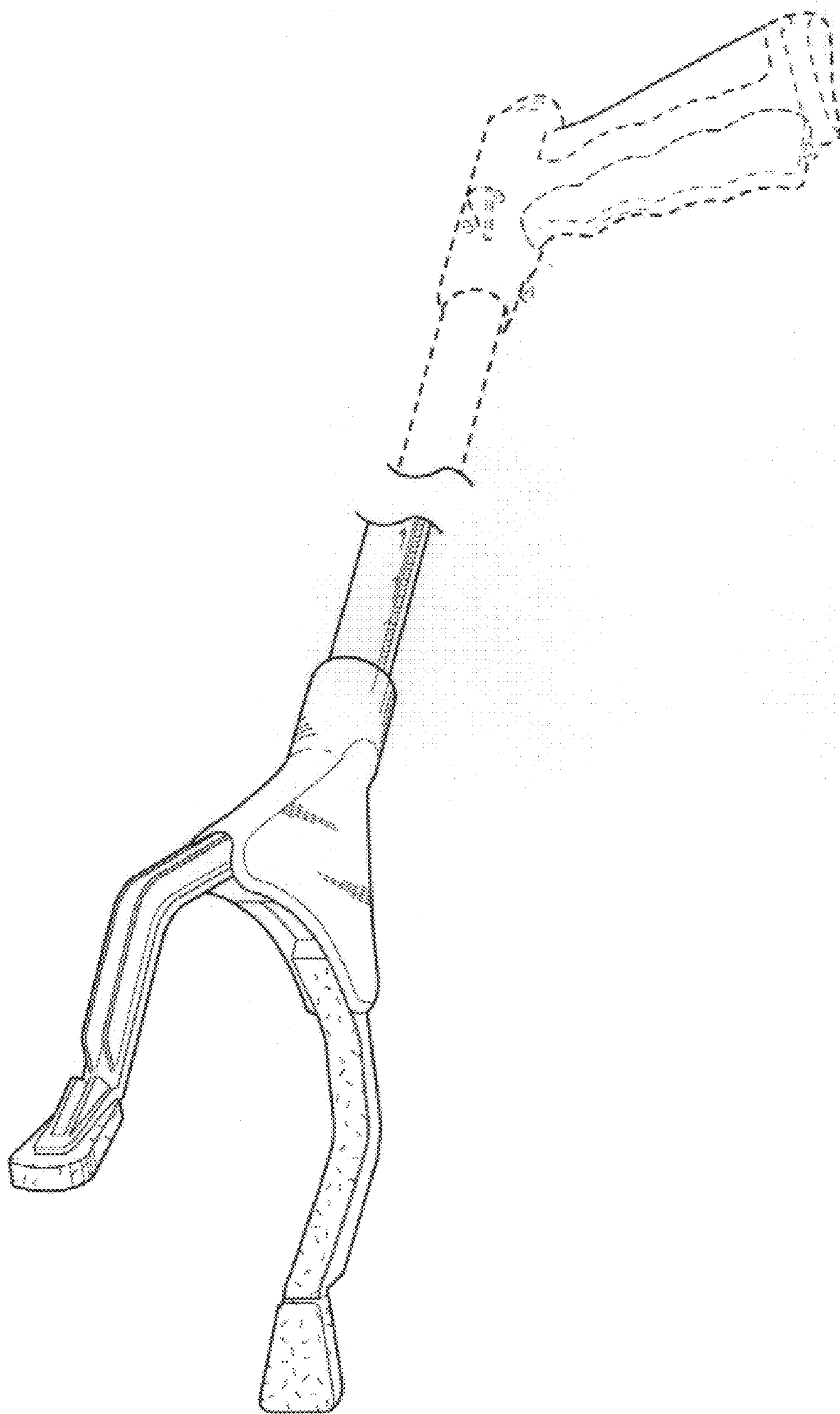


Fig.1

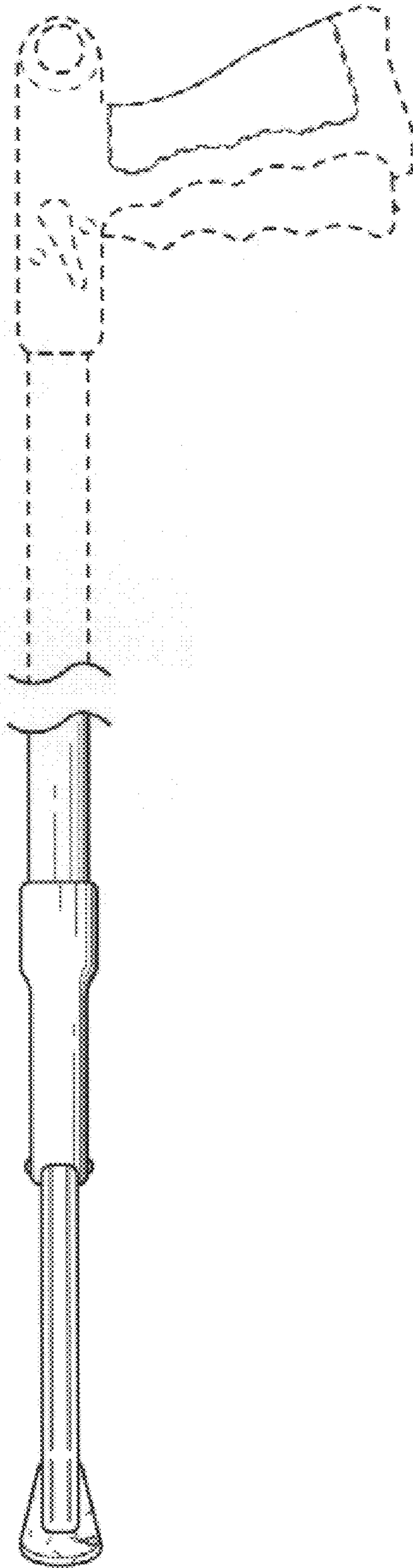


Fig. 2

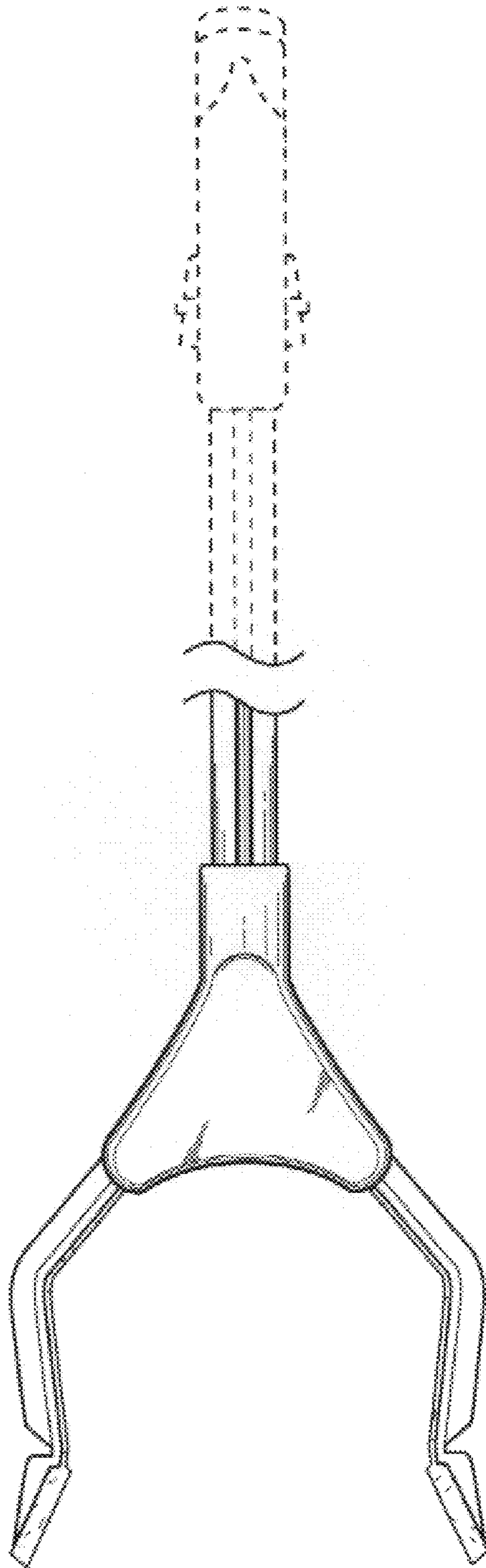


Fig. 3

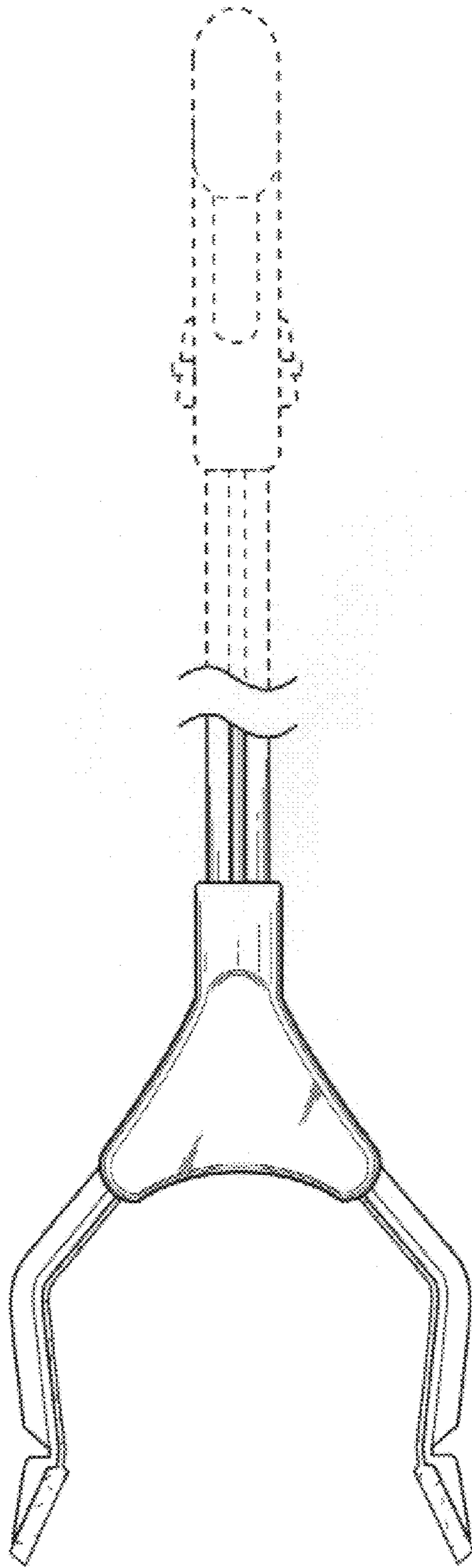


Fig. 4

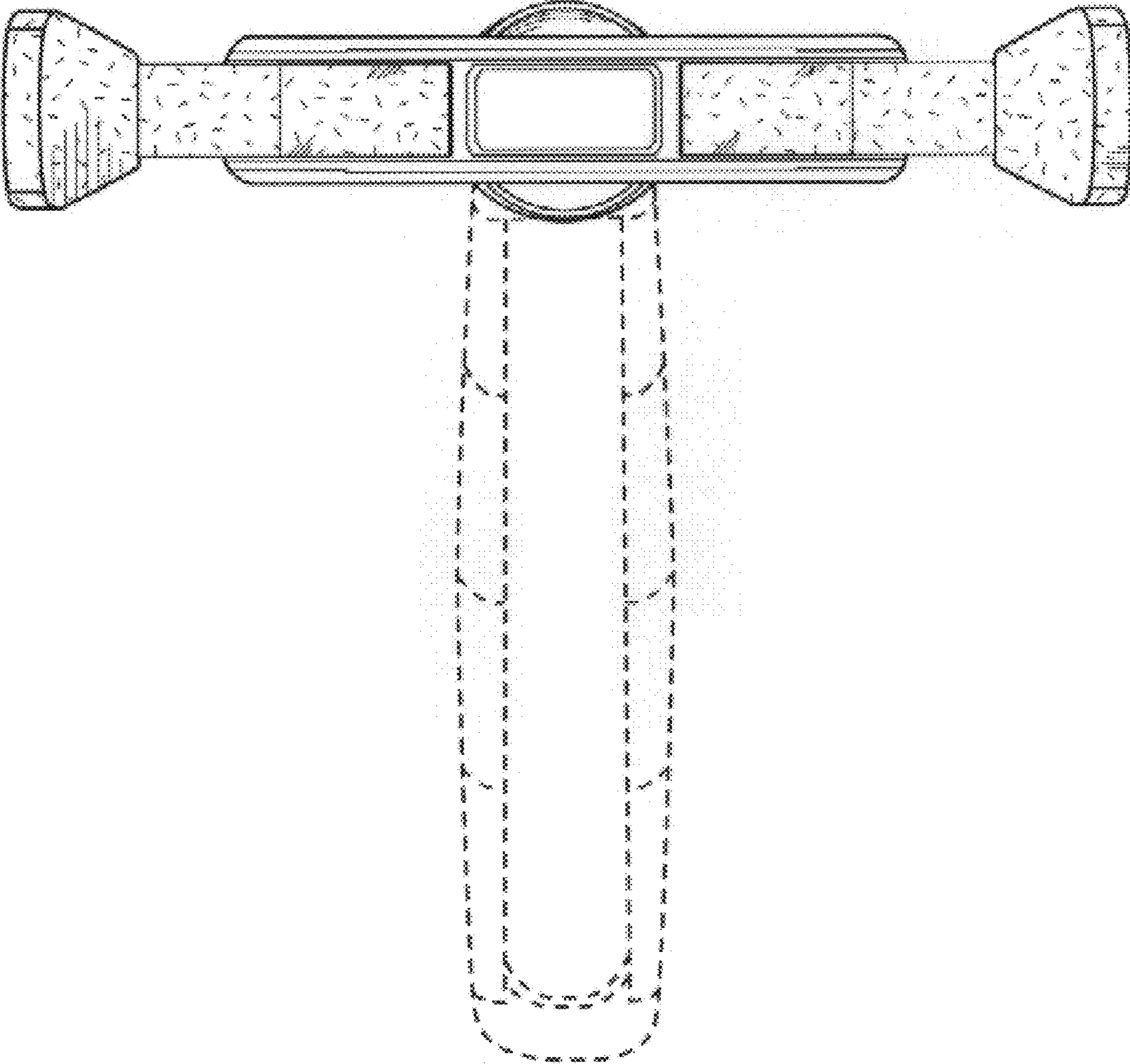


Fig. 5

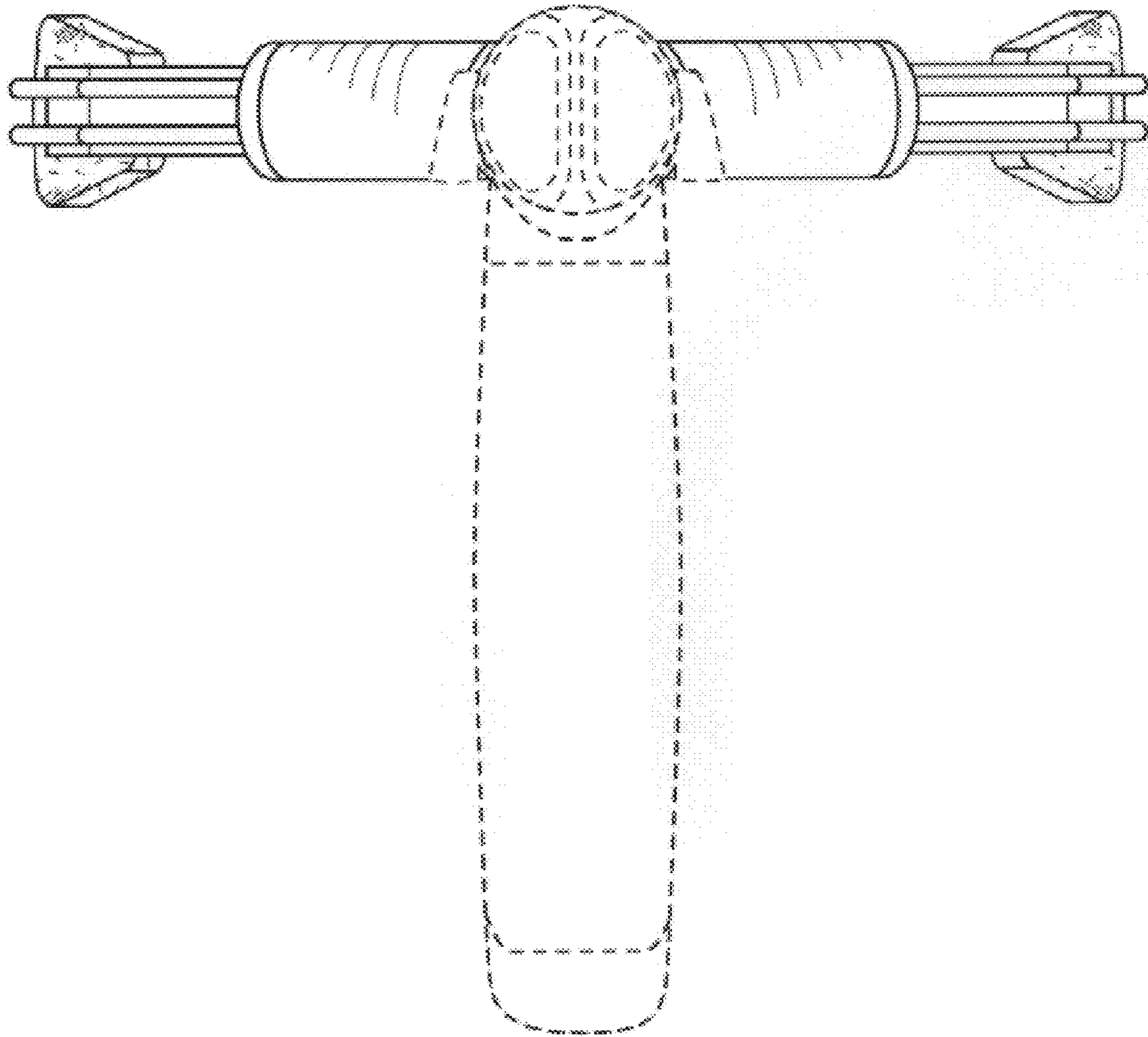


Fig. 6

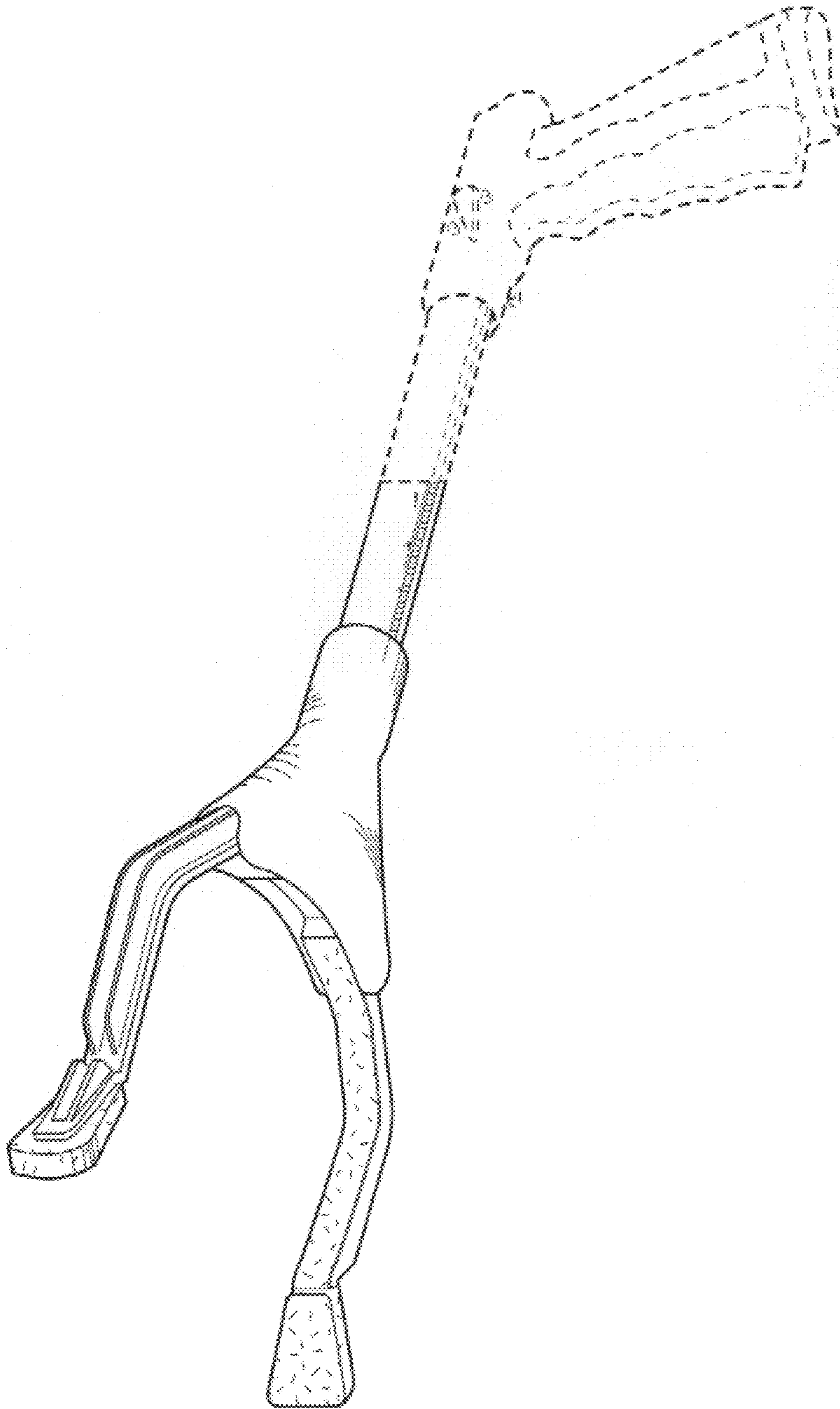


Fig. 7

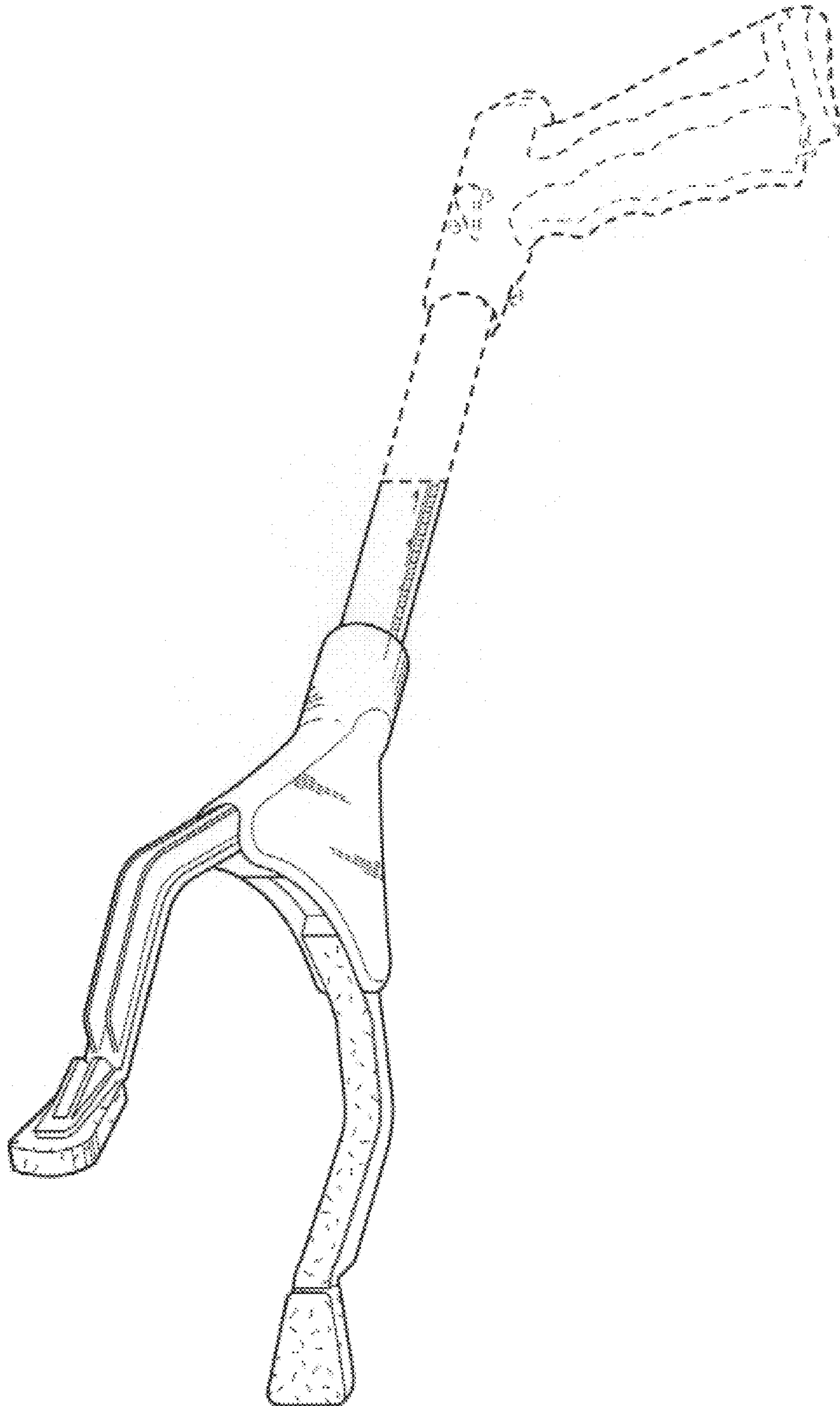


Fig. 8

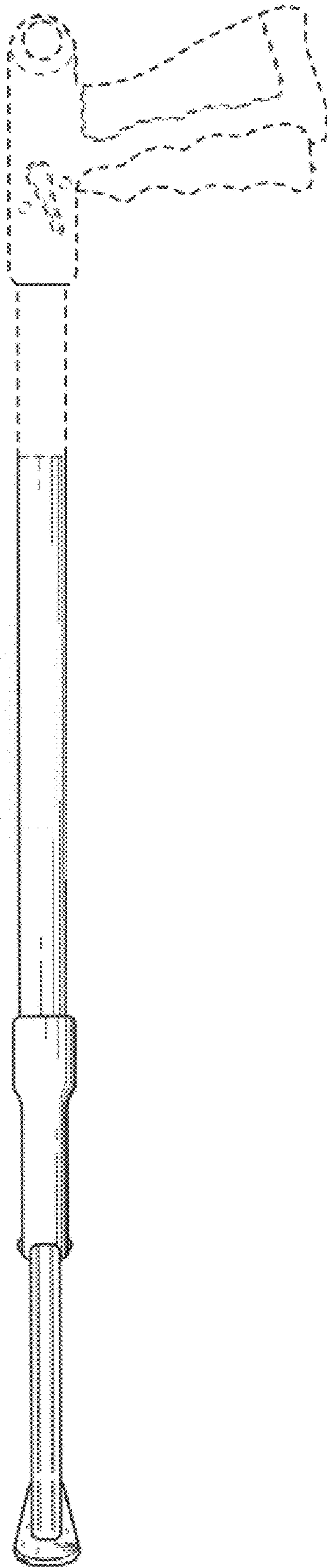


Fig. 9