



US00D591119S

(12) **United States Design Patent**
Yu et al.

(10) **Patent No.:** **US D591,119 S**
(45) **Date of Patent:** **** Apr. 28, 2009**

- (54) **STAPLER**
- (75) Inventors: **Fei Yu**, Ningbo (CN); **Jie Ge**, Ningbo (CN)
- (73) Assignee: **Beifa Group Co., Ltd.**, Ningbo (CN)
- (**) Term: **14 Years**
- (21) Appl. No.: **29/328,072**
- (22) Filed: **Nov. 18, 2008**
- (30) **Foreign Application Priority Data**
May 23, 2008 (CN) 2008 3 0127249
- (51) **LOC (9) Cl.** **19-02**
- (52) **U.S. Cl.** **D8/50**
- (58) **Field of Classification Search** D8/49,
D8/50, 61, 68, 69; D19/72, 73, 65, 69; D21/532;
D24/145; 7/158, 160; 227/4, 5, 6, 7, 8, 120,
227/127, 128, 131, 132, 134, 144, 156, 175.1;
606/139, 143, 153, 219
See application file for complete search history.

- D534,776 S * 1/2007 Hong D8/50
- D544,769 S * 6/2007 Bhavnani D8/50
- D554,456 S 11/2007 Chang
- D573,856 S 7/2008 Nakamura
- D574,681 S 8/2008 Nakamura
- D579,293 S 10/2008 Irago
- D582,232 S 12/2008 Nakamura

OTHER PUBLICATIONS

- Yu, F., and J. Ge, "Stapler," U.S. Appl. No. 29/328,068, filed Nov. 18, 2008.
- Yu, F., and J. Ge, "Stapler," U.S. Appl. No. 29/328,070, filed Nov. 18, 2008.
- Yu, F., and J. Ge, "Stapler," U.S. Appl. No. 29/328,074, filed Nov. 18, 2008.

* cited by examiner

- Primary Examiner*—Cathron C Brooks
- Assistant Examiner*—Austin Murphy
- (74) *Attorney, Agent, or Firm*—Christensen O'Connor Johnson Kindness PLLC

(57) **CLAIM**

The ornamental design for a stapler, as shown and described.

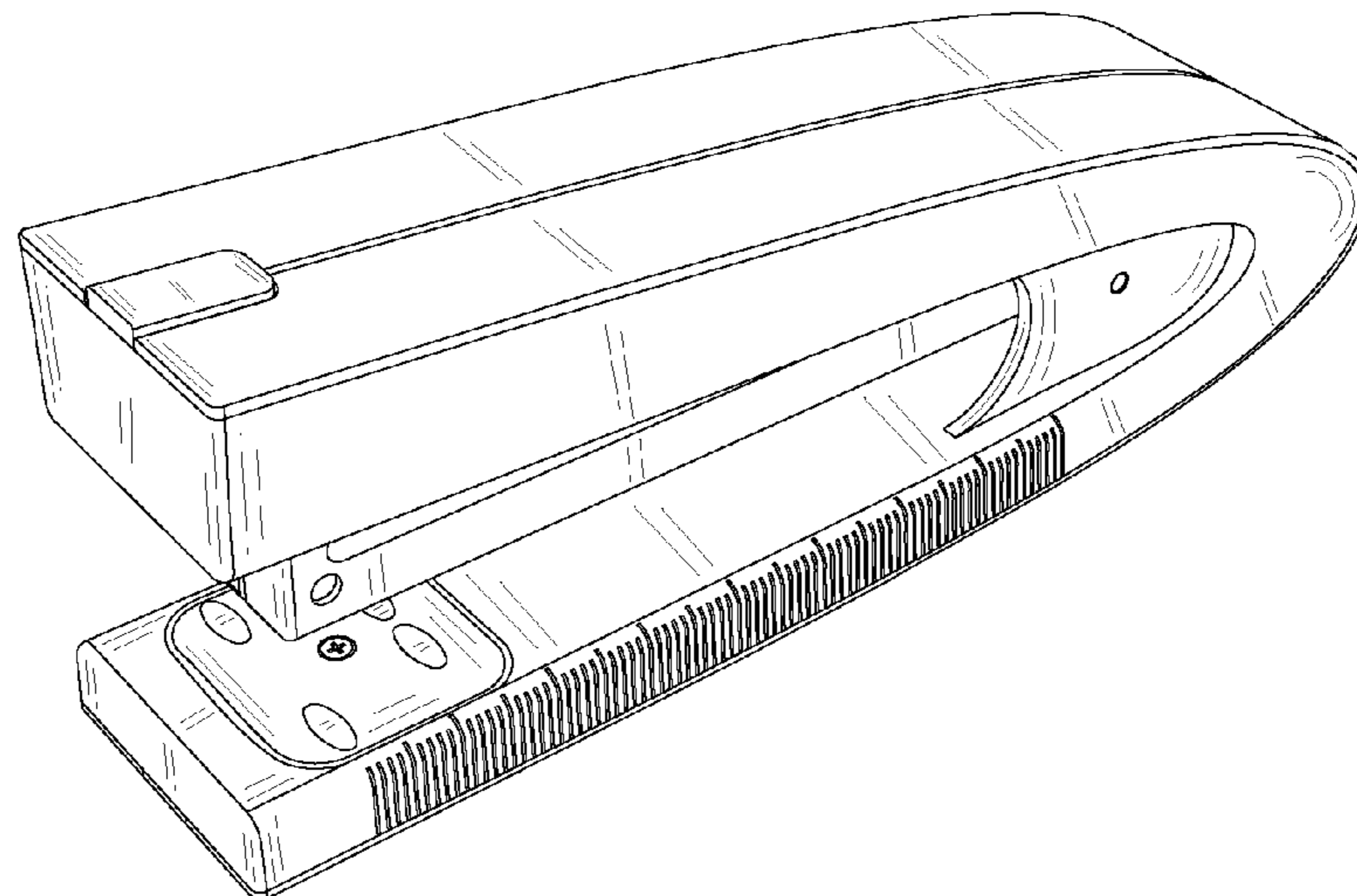
DESCRIPTION

- FIG. 1 is an upper front right perspective view of a stapler showing our new design;
- FIG. 2 is a bottom plan view thereof;
- FIG. 3 is a right side elevation view of the stapler shown in FIG. 1, with a left side elevation view being a mirror image thereof;
- FIG. 4 is a top plan view thereof;
- FIG. 5 is a front elevation view thereof; and,
- FIG. 6 is a rear elevation view thereof.

1 Claim, 3 Drawing Sheets

(56) **References Cited**
U.S. PATENT DOCUMENTS

- D302,377 S * 7/1989 Ancona et al. D8/50
- D333,957 S * 3/1993 Chan D8/50
- D350,677 S * 9/1994 Khan et al. D8/50
- D350,679 S * 9/1994 Khan et al. D8/50
- D420,266 S 2/2000 Berry
- D465,139 S 11/2002 Robillard
- D478,485 S 8/2003 Huang
- D478,486 S * 8/2003 Scola et al. D8/50
- D478,798 S 8/2003 Huang
- D514,905 S 2/2006 Bhavnani
- D517,883 S 3/2006 Tsai
- D530,999 S 10/2006 Kent
- D531,471 S 11/2006 Kent



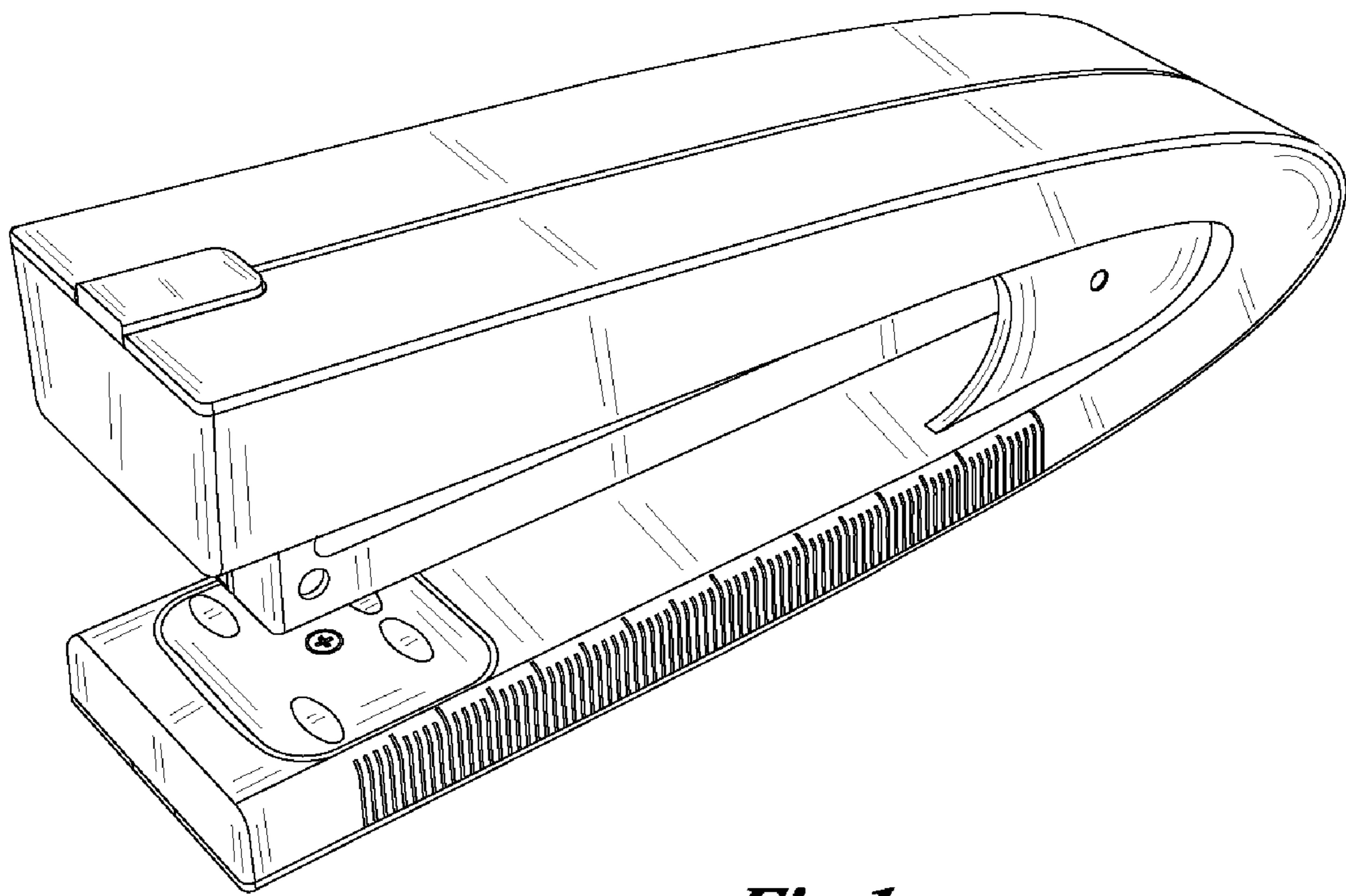


Fig.1.



Fig. 2.

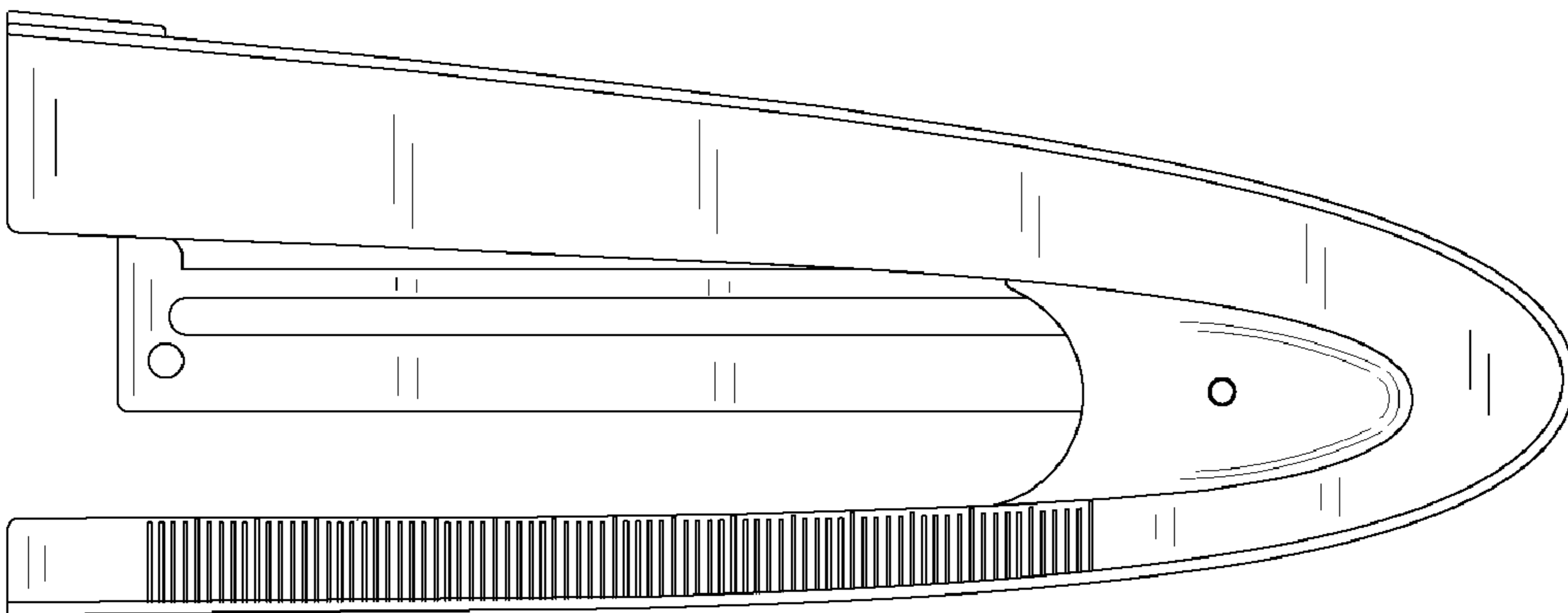


Fig. 3.

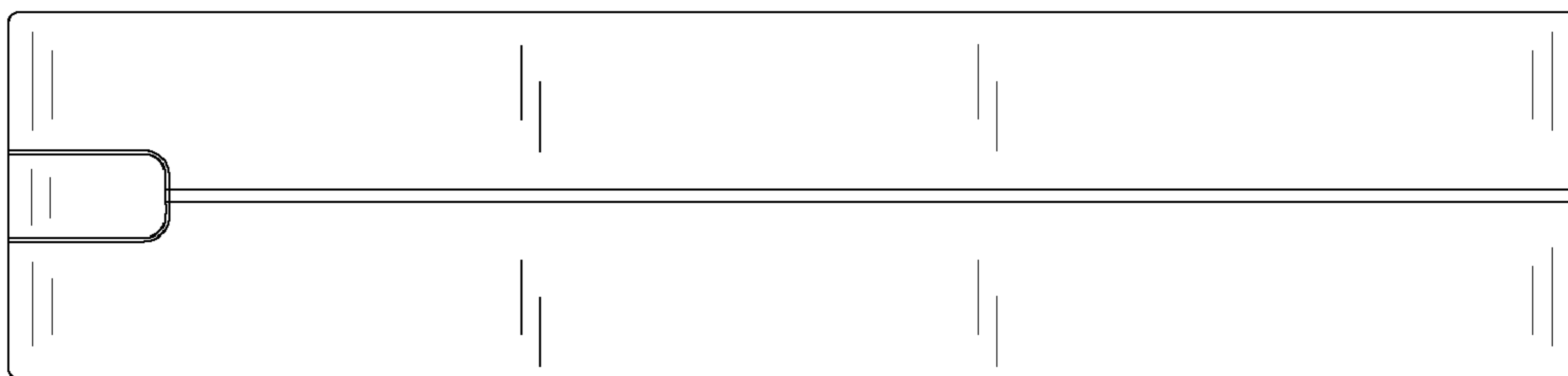


Fig. 4.

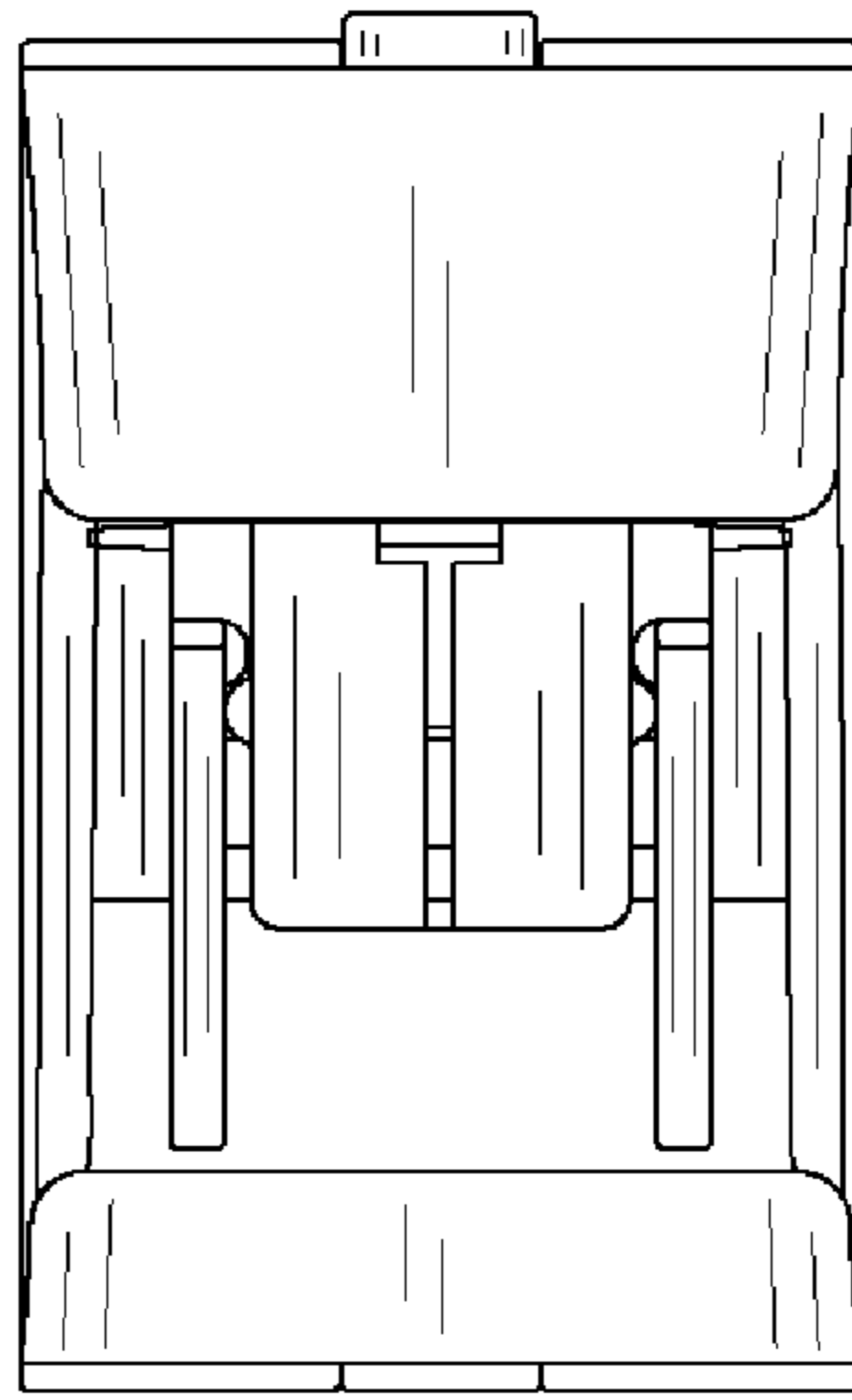


Fig. 5.

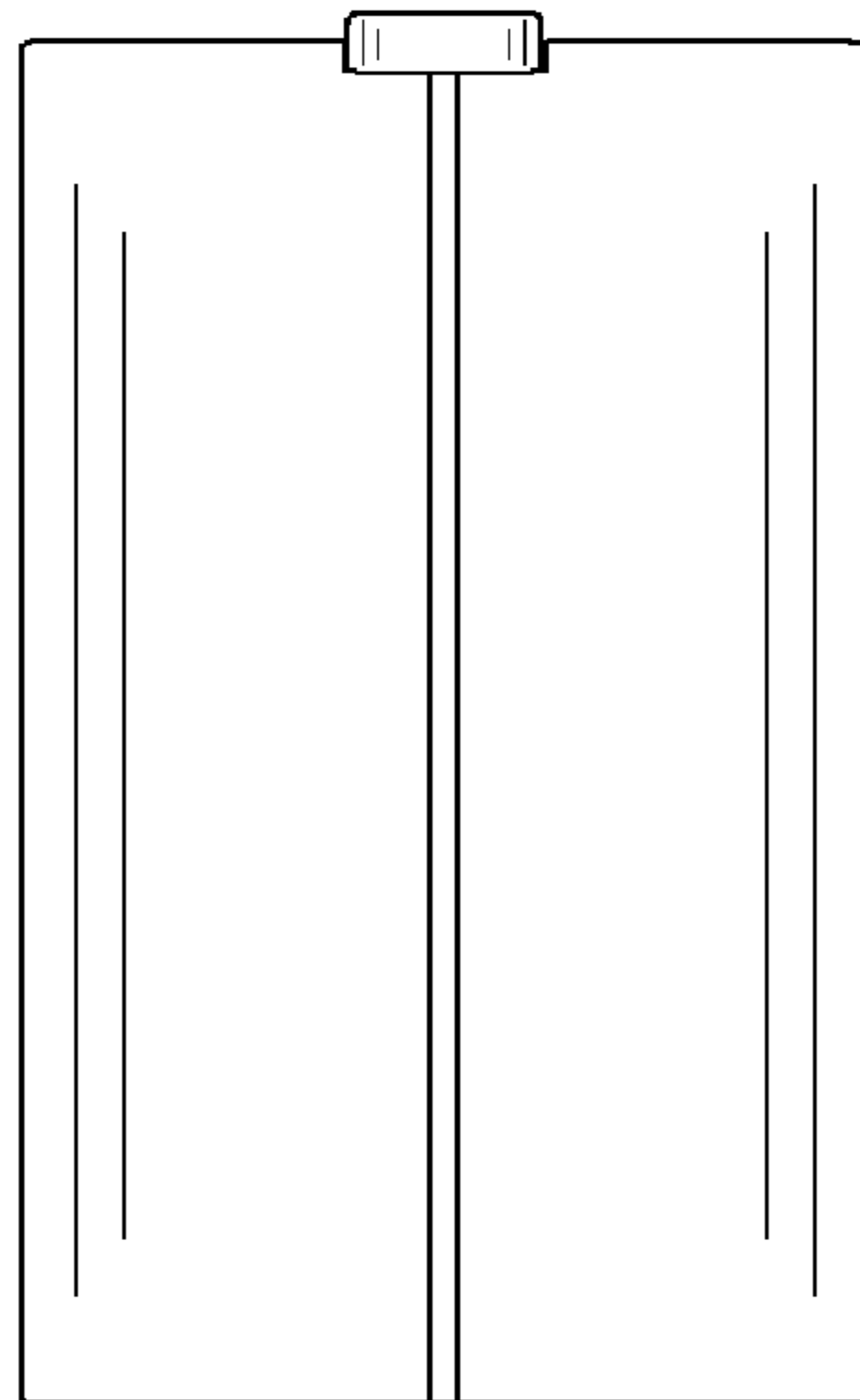


Fig. 6.