

US00D591115S

(12) **United States Design Patent**  
**Repac**

(10) **Patent No.:** **US D591,115 S**

(45) **Date of Patent:** **\*\* Apr. 28, 2009**

(54) **DEVICE FOR CUTTING VEGETABLES OR FRUIT**

(76) **Inventor:** **Cedomir Repac**, Fliederweg 24,  
Brechen (DE) 65661

(\*\*) **Term:** **14 Years**

(21) **Appl. No.:** **29/290,147**

(22) **Filed:** **Oct. 25, 2007**

**Related U.S. Application Data**

(63) Continuation of application No. PCT/EP2007/  
002085, filed on Mar. 9, 2007.

(30) **Foreign Application Priority Data**

Mar. 9, 2006 (DE) ..... 10 2006 011 386  
Sep. 7, 2007 (EM) ..... 000785571

(51) **LOC (9) Cl.** ..... **07-06**

(52) **U.S. Cl.** ..... **D7/693; D7/686**

(58) **Field of Classification Search** ..... D7/672-675,  
D7/683-687; 30/114, 117, 162, 304, 135;  
99/537; 100/234, 243, 126; 425/276; 83/437.1,  
83/451, 627, 932

See application file for complete search history.

(56) **References Cited**

**U.S. PATENT DOCUMENTS**

1,263,151 A 4/1918 Topalian  
2,990,863 A \* 7/1961 Pantermoller ..... 30/135  
3,116,770 A \* 1/1964 Tanuma ..... 30/114  
3,283,730 A \* 11/1966 Mohler ..... 425/276

4,062,260 A 12/1977 Steinhogel  
4,095,339 A \* 6/1978 Turner ..... 30/114  
4,852,256 A \* 8/1989 Schoettler ..... 30/114  
4,937,938 A \* 7/1990 Koo ..... 30/117  
D535,164 S \* 1/2007 St. Germain et al. .... D7/674  
2005/0229760 A1 \* 10/2005 Chang ..... 83/437.1

**FOREIGN PATENT DOCUMENTS**

DE 662188 7/1938  
DE 40109620.3 2/2002  
DE 102 42 651 A1 4/2004  
DE 20 2004 002 477 6/2004  
EP 114074 A1 7/1984  
GB 345750 4/1931

\* cited by examiner

*Primary Examiner*—Terry A Wallace

(74) *Attorney, Agent, or Firm*—Charles P. Boukus, Jr.

(57) **CLAIM**

The ornamental design for a device for cutting vegetables or fruit, as shown and described.

**DESCRIPTION**

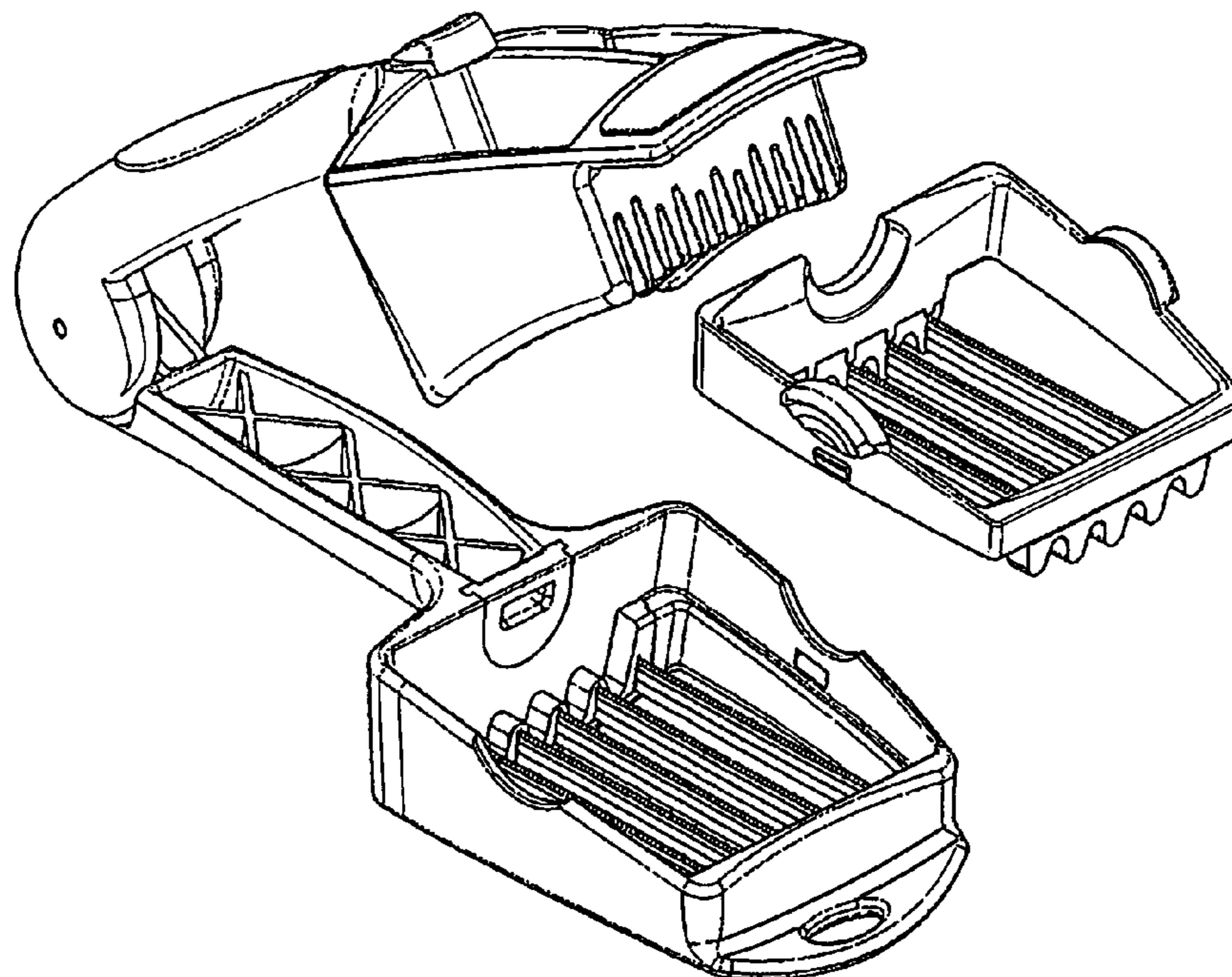
FIG. 1 is an exploded perspective view of a device for cutting vegetables and fruit showing my new design;

FIG. 2 is a perspective view thereof in an assembled condition;

FIG. 3 is an exploded perspective view of an alternative embodiment of FIG. 1; and,

FIG. 4 is a perspective view of FIG. 3 in an assembled condition.

**1 Claim, 4 Drawing Sheets**



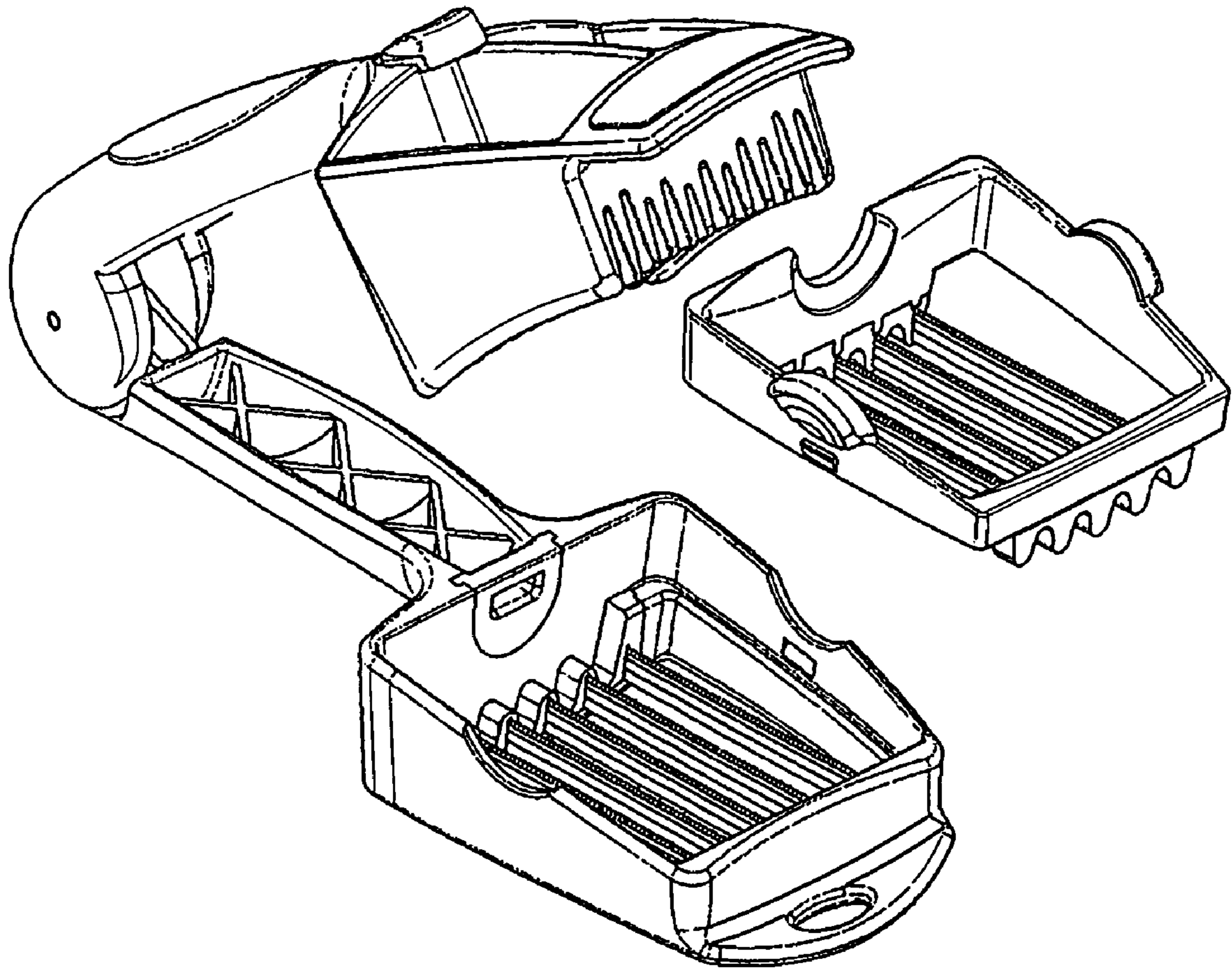


FIG. 1

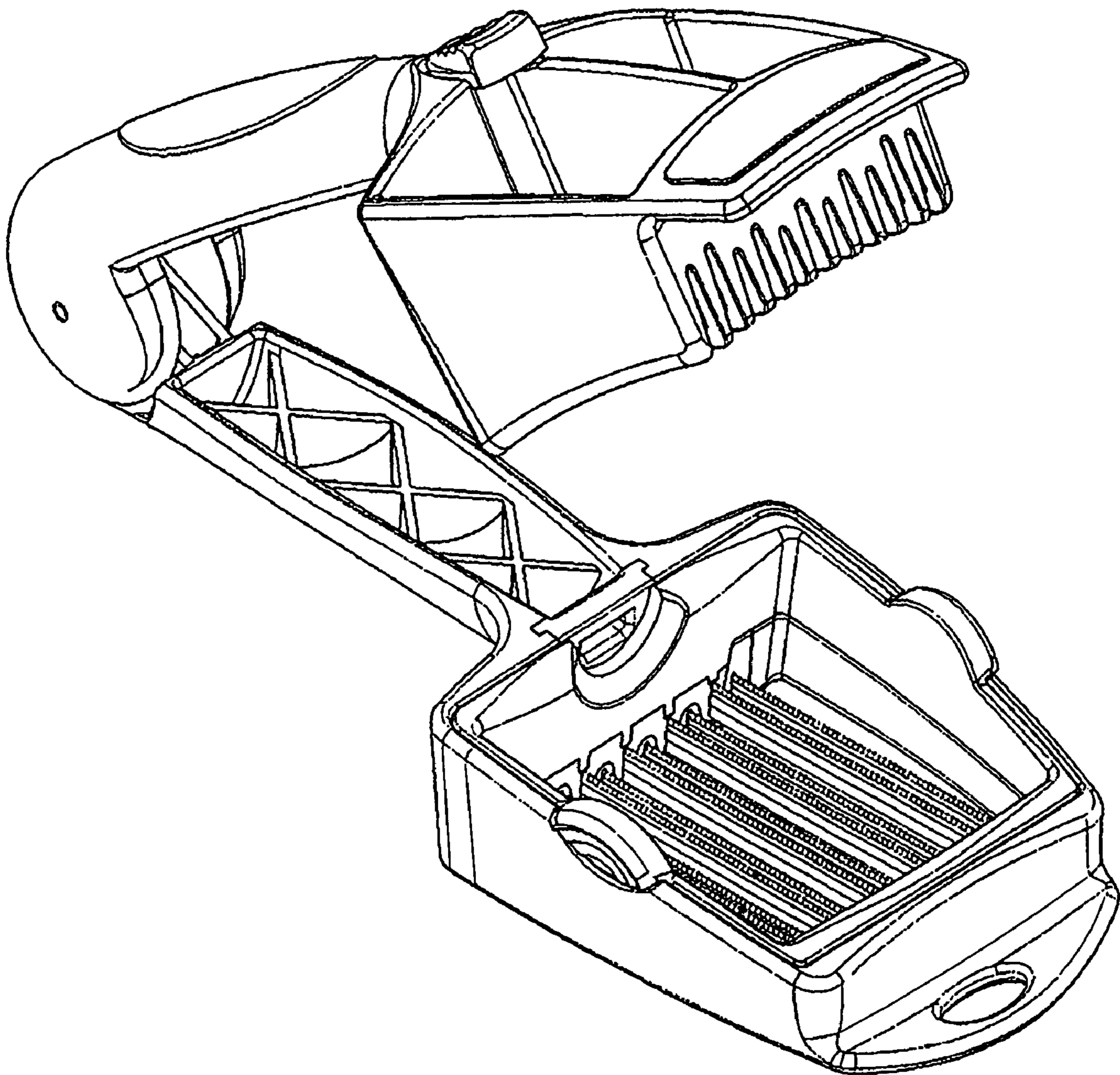


FIG. 2

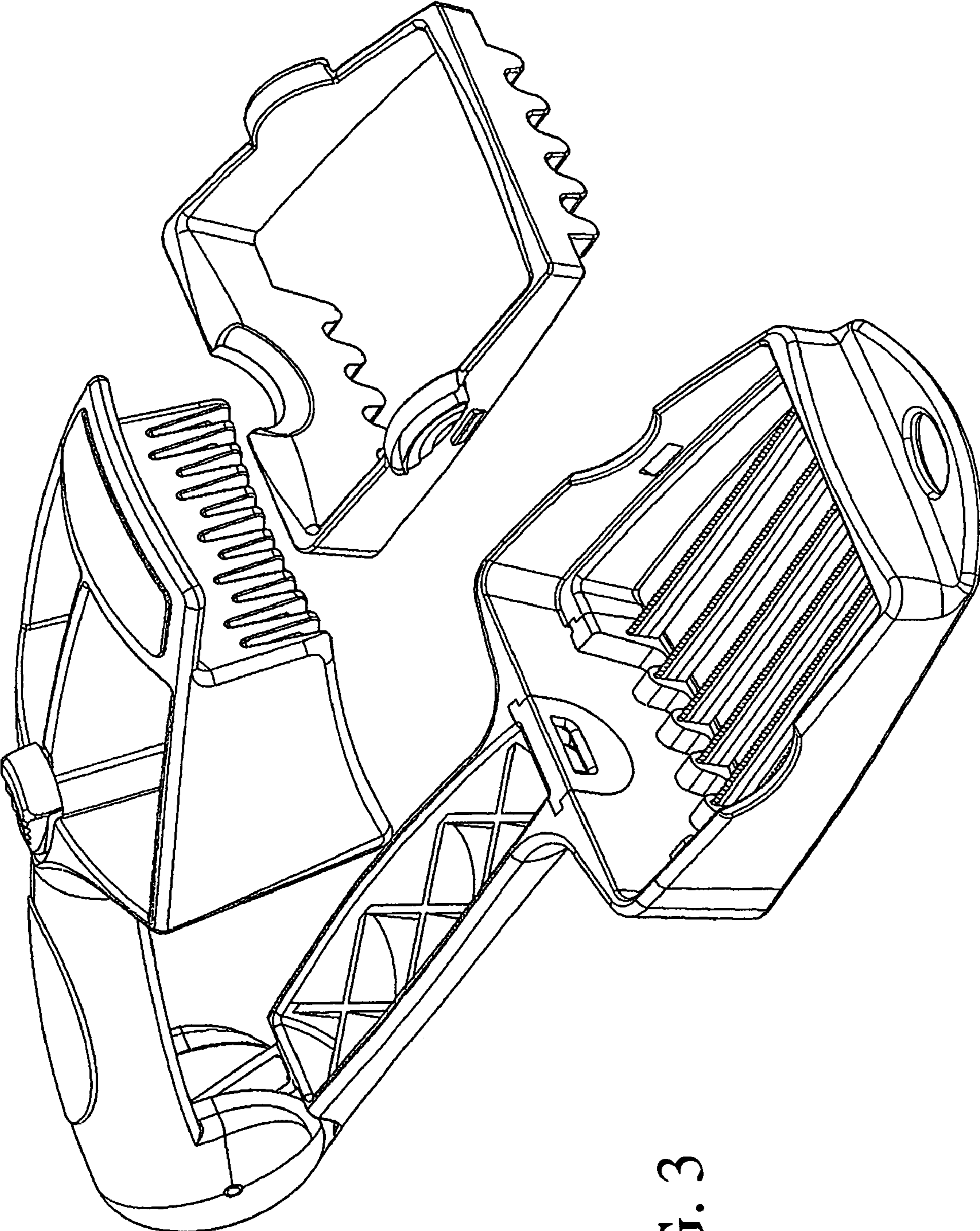


FIG. 3

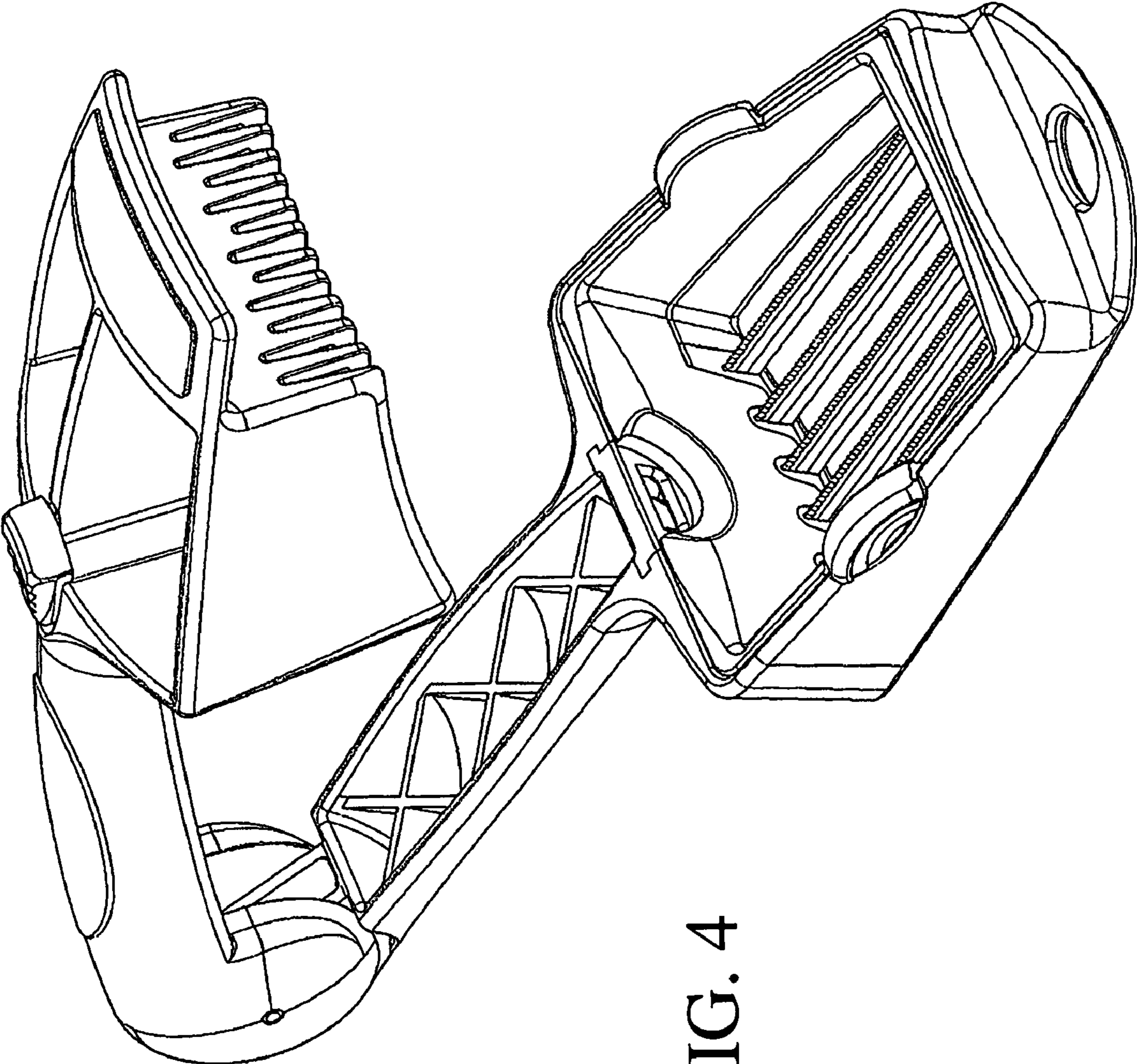


FIG. 4