



US00D591112S

(12) **United States Design Patent**
Wang

(10) **Patent No.:** **US D591,112 S**
(45) **Date of Patent:** **** Apr. 28, 2009**

(54) **FOOD STORAGE CONTAINER**

(75) Inventor: **Soo Chang Wang**, Seoul (KR)

(73) Assignee: **Korea Alphaline Co., Ltd.**, Seoul (KR)

(**) Term: **14 Years**

(21) Appl. No.: **29/301,477**

(22) Filed: **Mar. 4, 2008**

(30) **Foreign Application Priority Data**

Sep. 21, 2007 (KR) 30-2007-0040245

(51) **LOC (9) Cl.** **07-07**

(52) **U.S. Cl.** **D7/629**

(58) **Field of Classification Search** D7/601,
D7/602, 629, 612-615, 538-542; 220/780-806,
220/574-575, 326; D9/425-432

See application file for complete search history.

(56) **References Cited**

U.S. PATENT DOCUMENTS

4,976,370 A * 12/1990 Cassel 220/792

(Continued)

Primary Examiner—Terry A Wallace

(74) *Attorney, Agent, or Firm*—W. Norman Roth

(57) **CLAIM**

The ornamental design for a food storage container, as shown.

DESCRIPTION

FIG. 1 is a perspective view of a container lid of my new design;

FIG. 2 is a front elevation view of the lid of FIG. 1 of my new design;

FIG. 3 is a rear elevation view of the lid of FIG. 1 of my new design;

FIG. 4 is a left side elevation view of the lid of FIG. 1 of my new design;

FIG. 5 is a right side elevation view of the lid of FIG. 1 of my new design;

FIG. 6 is a top plan view of the lid of FIG. 1 of my new design;

FIG. 7 is a bottom plan view of the lid of FIG. 1 of my new design;

FIG. 8 is a perspective view of a container body of my new design;

FIG. 9 is a front elevation view of the container body of FIG. 8 of my new design;

FIG. 10 is a rear elevation view of the container body of FIG. 8 of my new design;

FIG. 11 is a left side elevation view of the container body of FIG. 8 of my new design;

FIG. 12 is a right side elevation view of the container body of FIG. 8 of my new design;

FIG. 13 is a top plan view of the container body of FIG. 8 of my new design;

FIG. 14 is a bottom plan view of the container body of FIG. 8 of my new design;

FIG. 15 is a perspective view of my new design showing the cover of FIG. 1 affixed to the container body of FIG. 8;

FIG. 16 is a front side elevation view of my new design showing the cover of FIG. 1 affixed to the container body of FIG. 8;

FIG. 17 is a rear elevation view of my new design showing the cover of FIG. 1 affixed to the container body of FIG. 8;

FIG. 18 is a left side elevation view of my new design showing the cover of FIG. 1 affixed to the container body of FIG. 8;

FIG. 19 is a right side elevation view of my new design showing the cover of FIG. 1 affixed to the container body of FIG. 8;

FIG. 20 is a top plan view of my new design showing the cover of FIG. 1 affixed to the container body of FIG. 8;

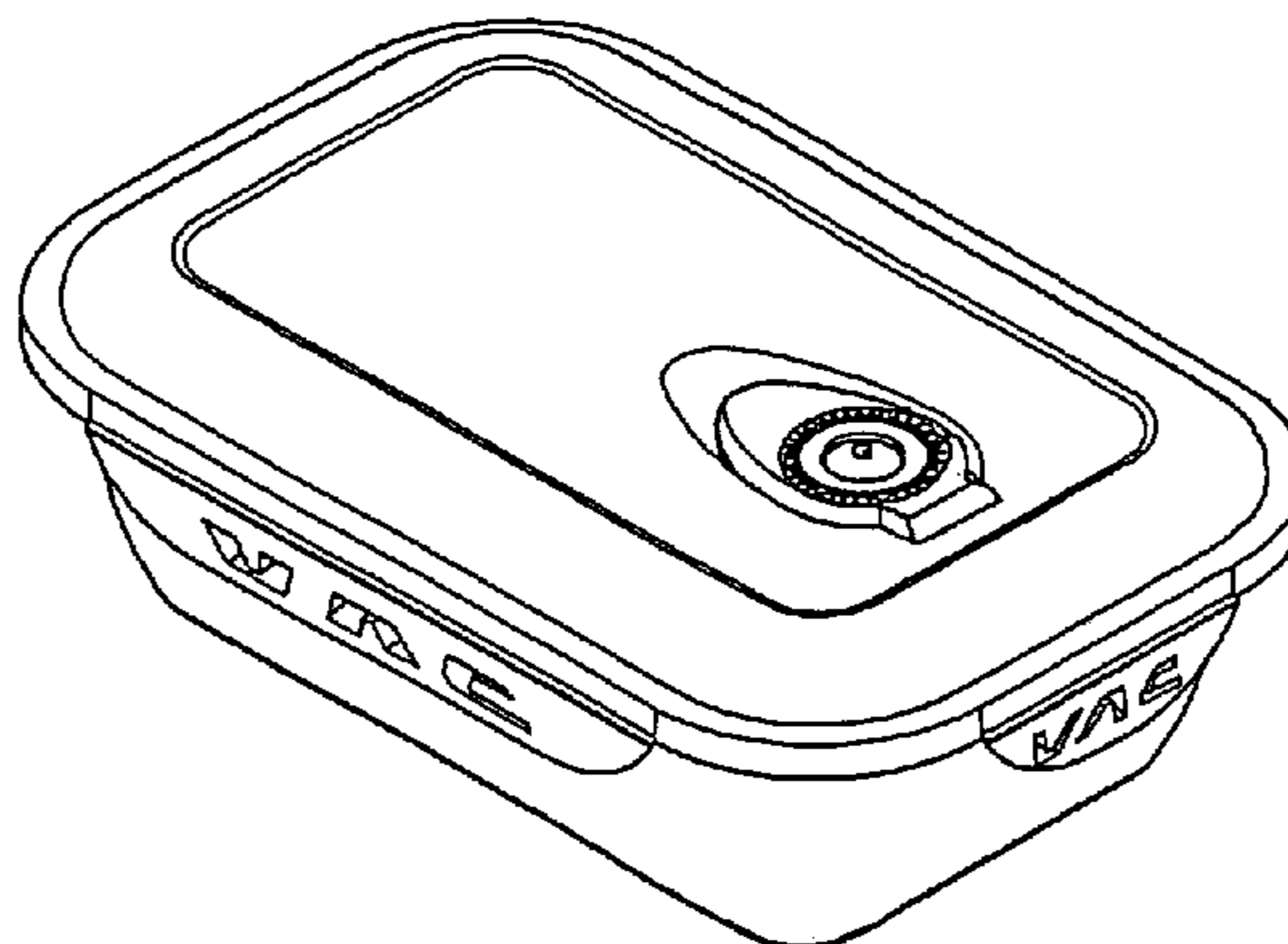
FIG. 21 is a bottom plan view of my new design showing the cover of FIG. 1 affixed to the container body of FIG. 8;

FIG. 22 is an exploded perspective view of my new design showing the cover of FIG. 1 affixed to the container body of FIG. 8; and,

FIG. 23 is a cross section view of my new design taken at line A—A of FIG. 20.

The cover and container body are shown separately for clarity of illustration.

1 Claim, 11 Drawing Sheets



US D591,112 S

Page 2

U.S. PATENT DOCUMENTS

5,641,065	A *	6/1997	Owens et al.	220/324	D521,812	S *	5/2006	Kim	D7/629
6,415,947	B1 *	7/2002	Kim	220/788	D544,762	S *	6/2007	Zimmerman	D7/629
D479,954	S *	9/2003	Kim	D7/629	2004/0084464	A1 *	5/2004	Koo	220/784
D481,910	S *	11/2003	Kim	D7/629	2005/0006390	A1 *	1/2005	Wang	220/326
6,793,096	B1 *	9/2004	Seok	220/788	2005/0035125	A1 *	2/2005	Bae	220/326

* cited by examiner

Fig 1

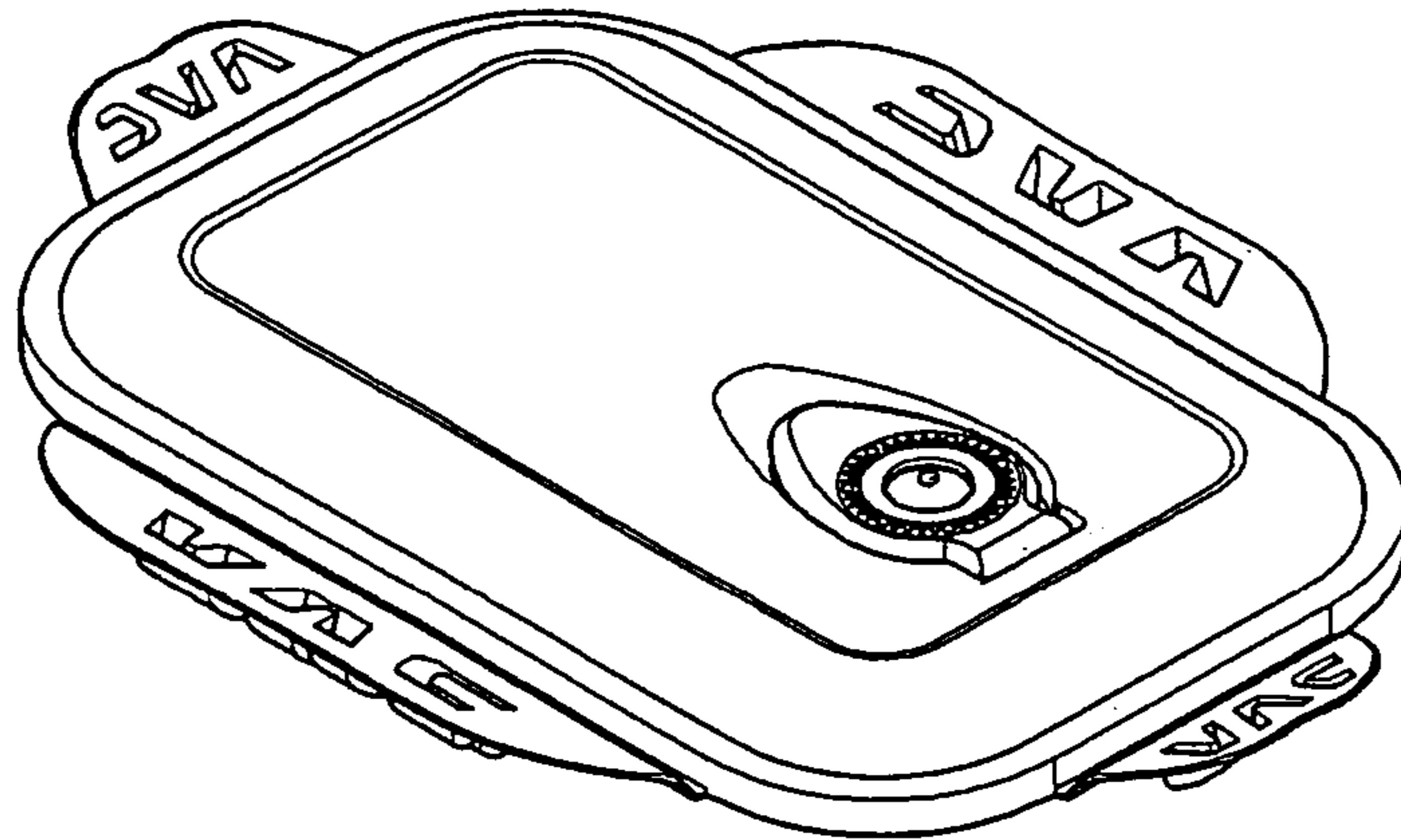


Fig 2



Fig 3

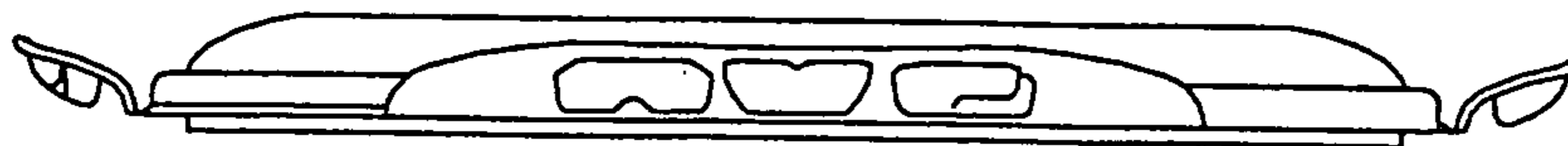


Fig 4



Fig 5



Fig 6

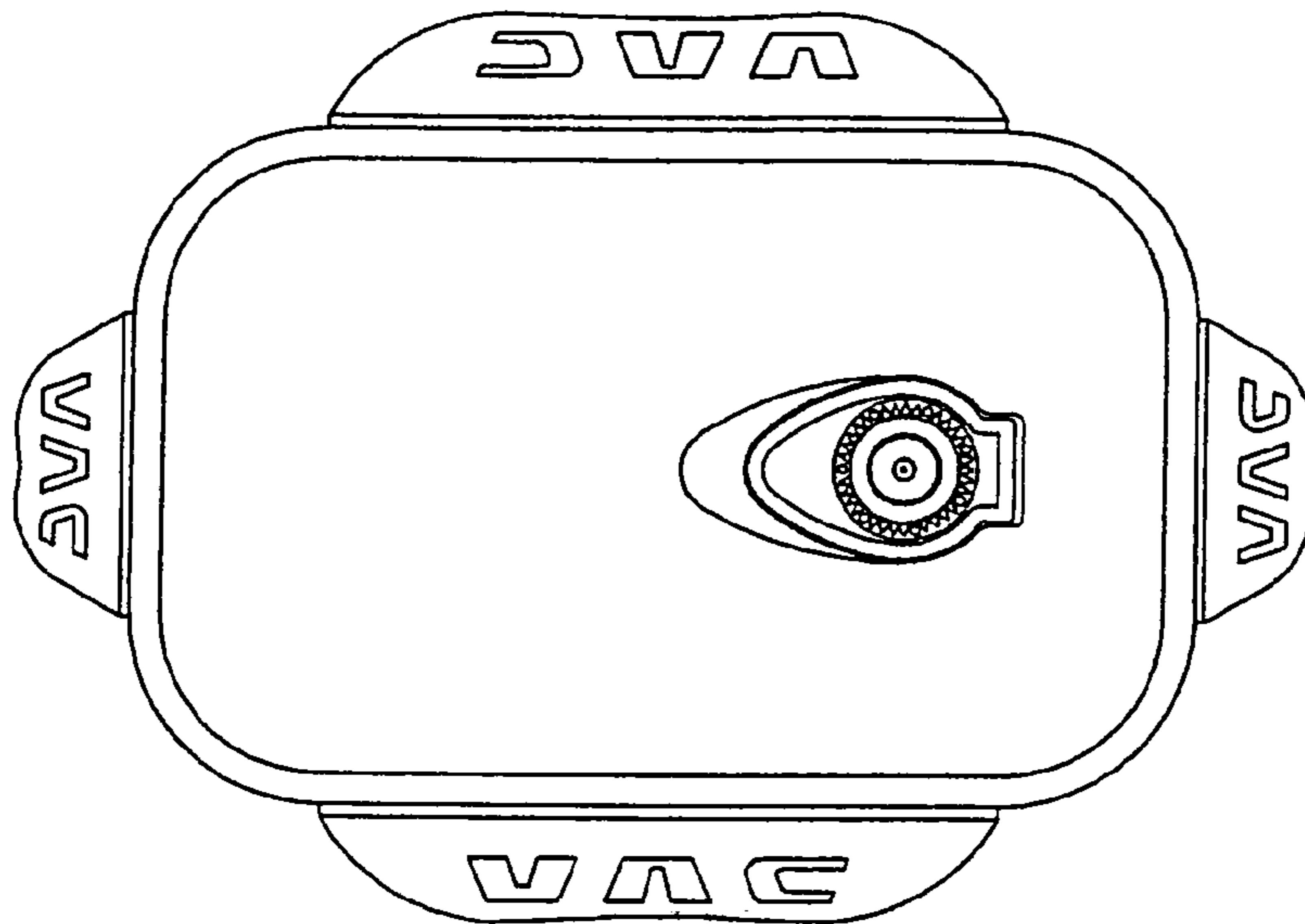


Fig 7

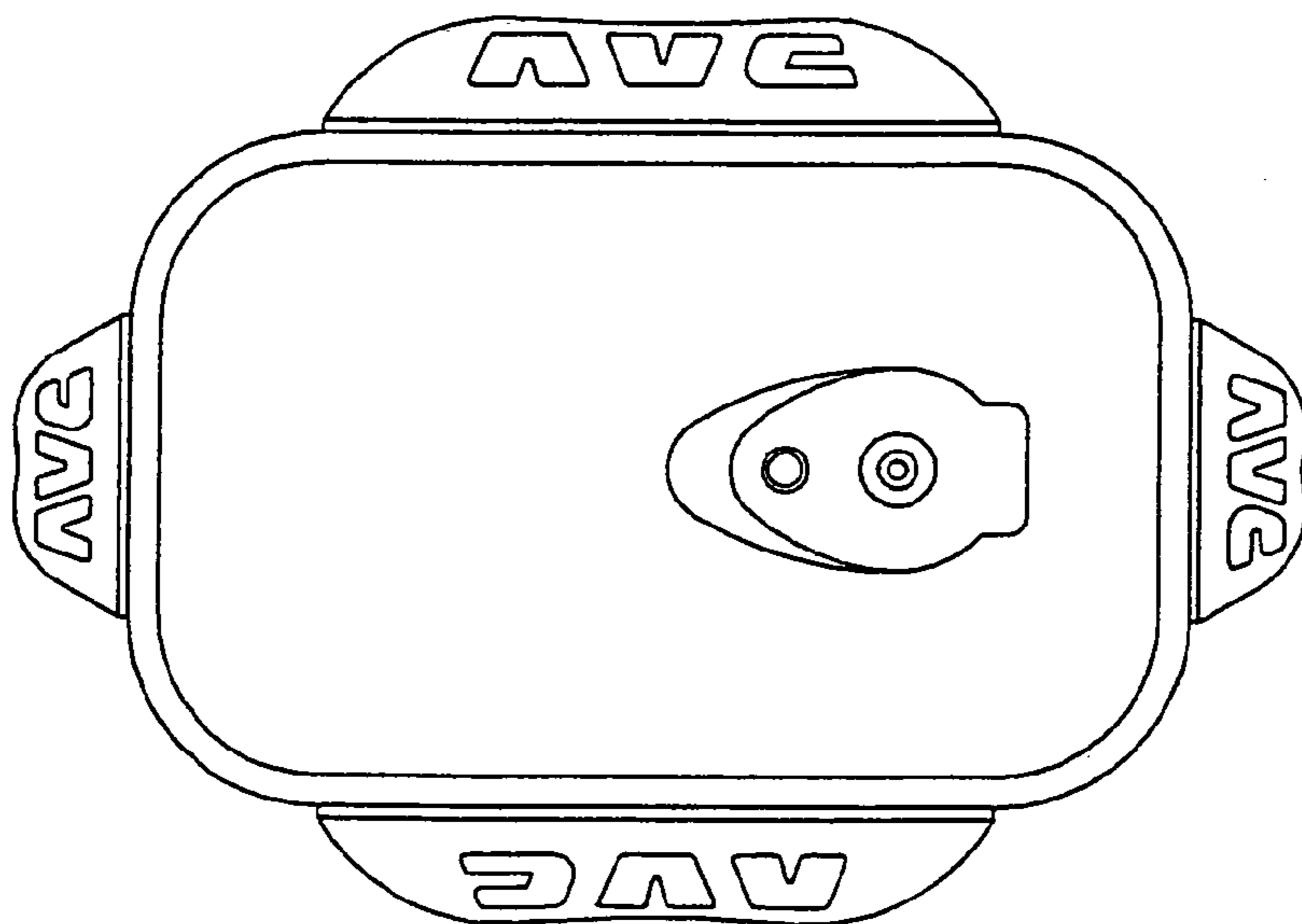


Fig 8

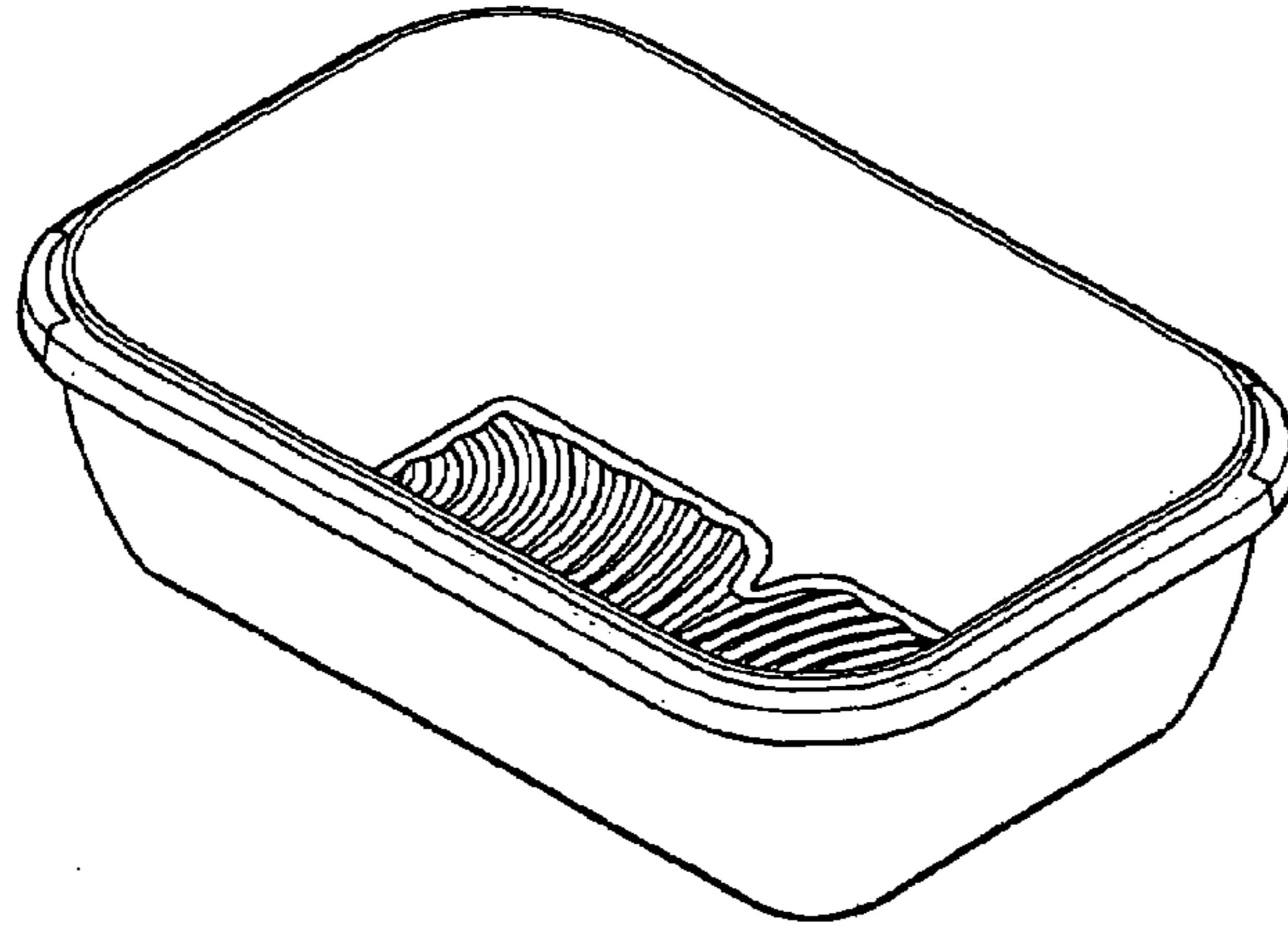


Fig 9

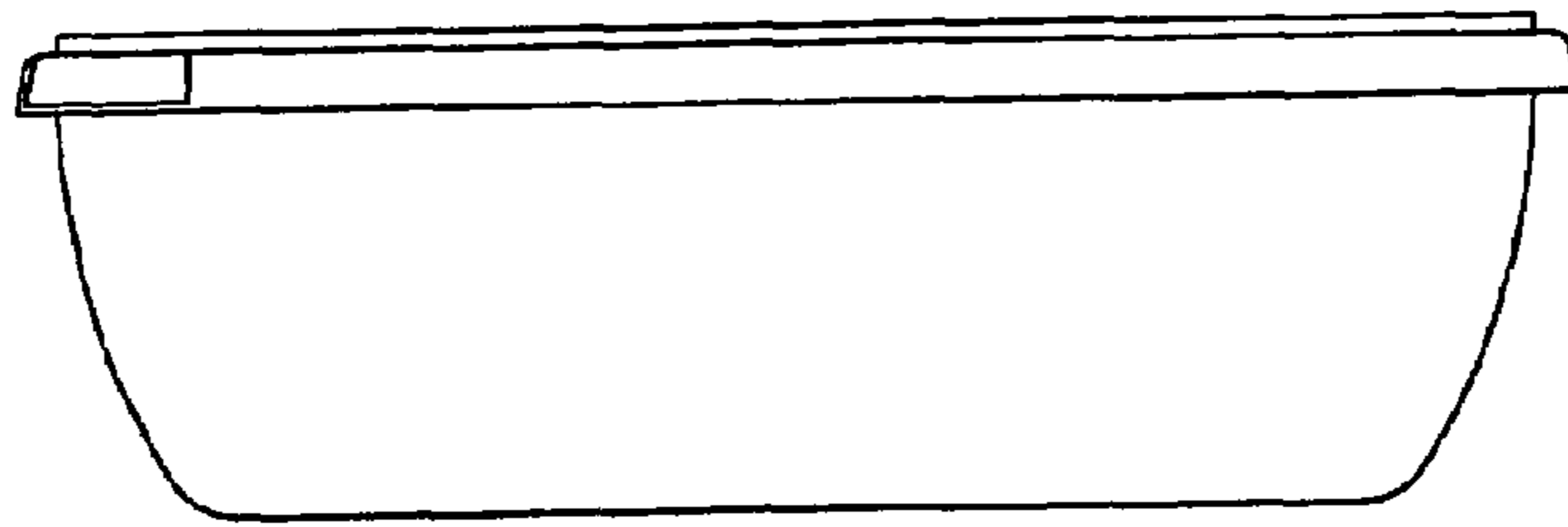


Fig 10

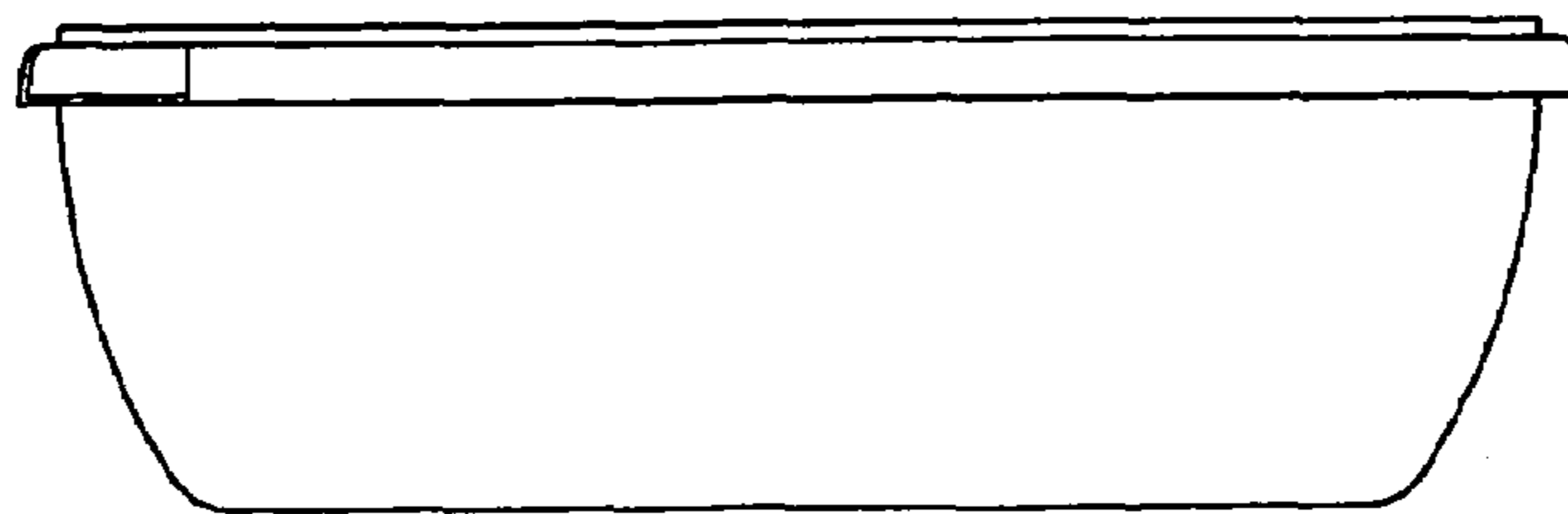


Fig 11

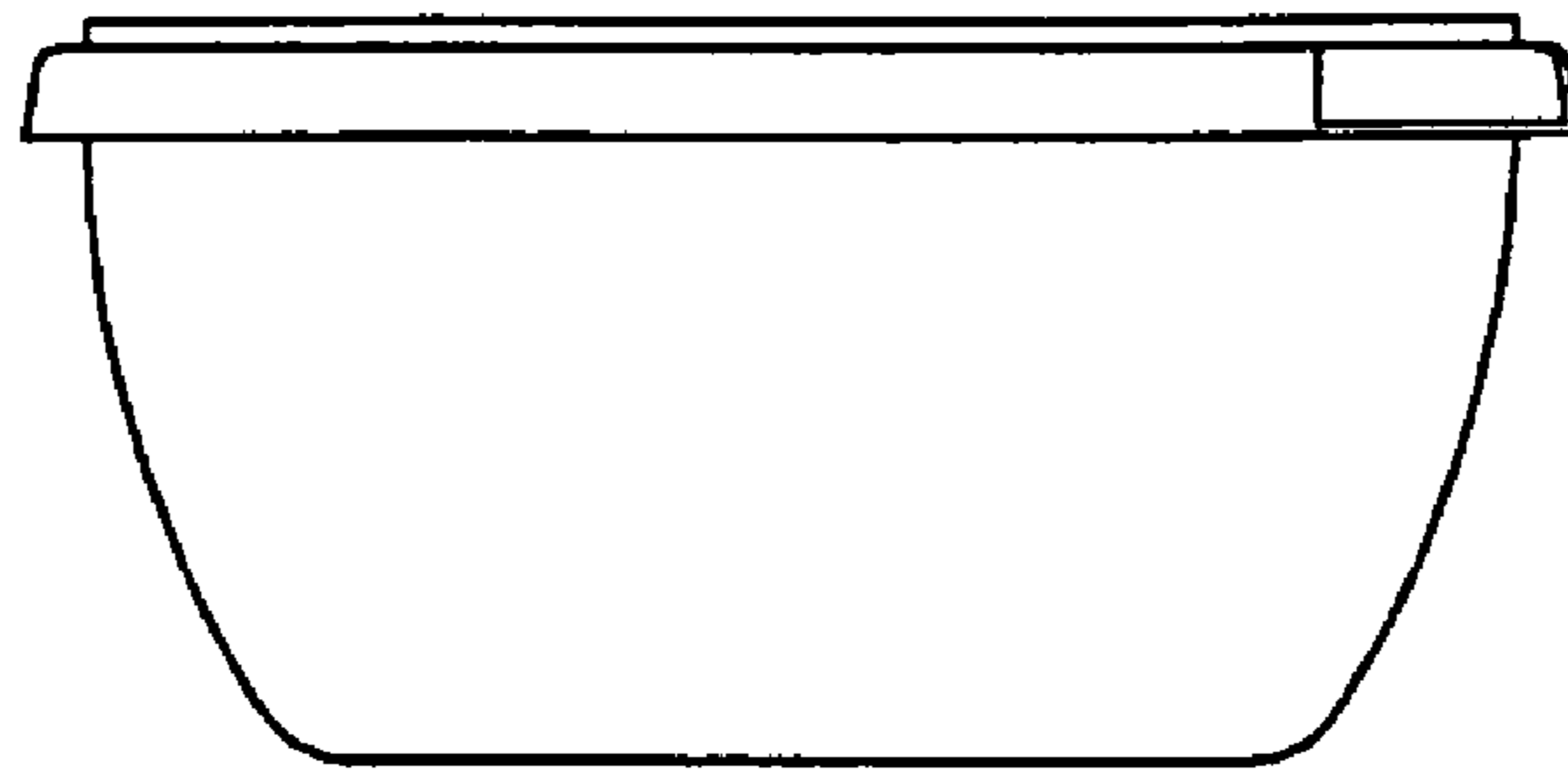


Fig 12

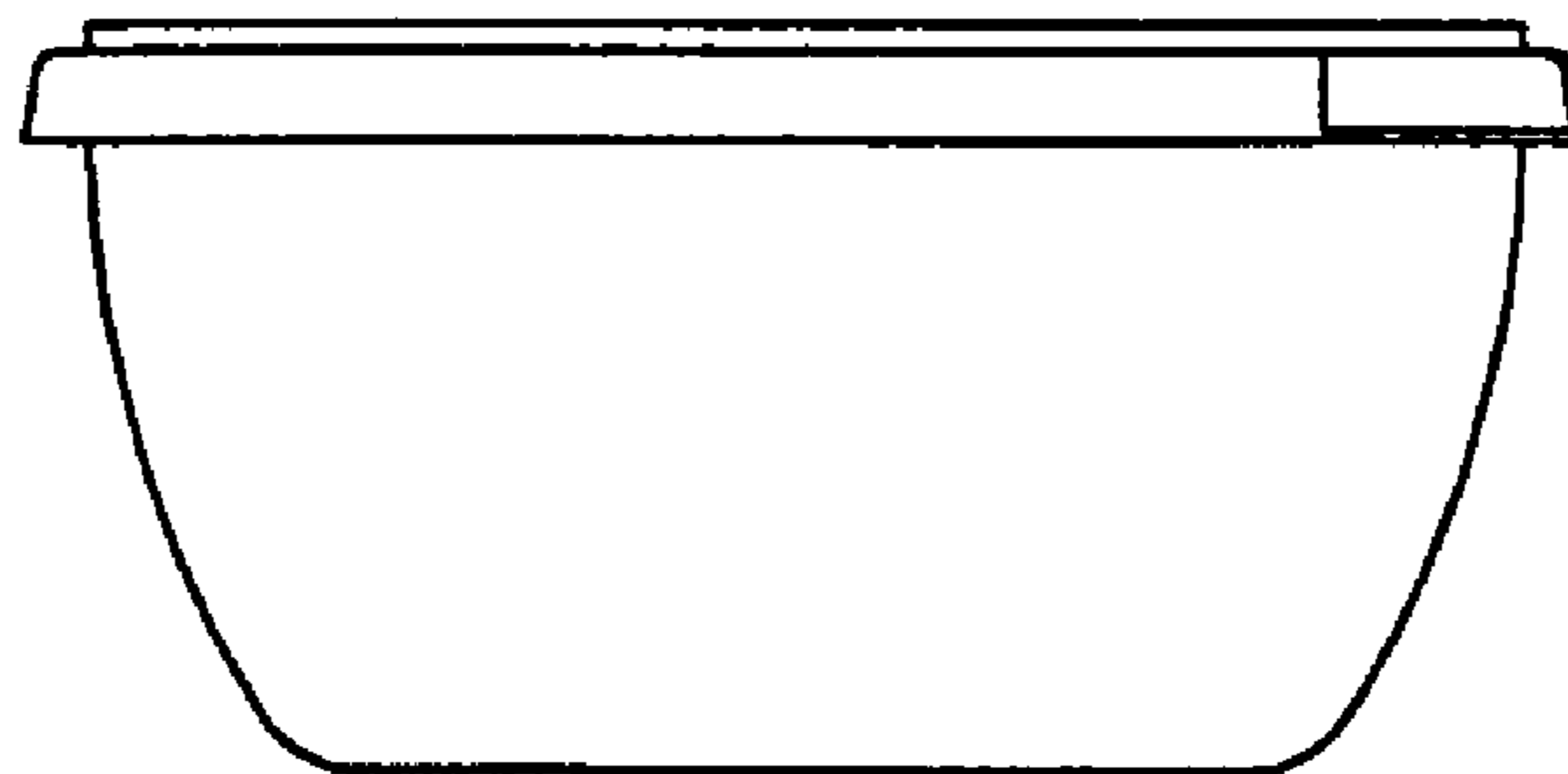


Fig 13

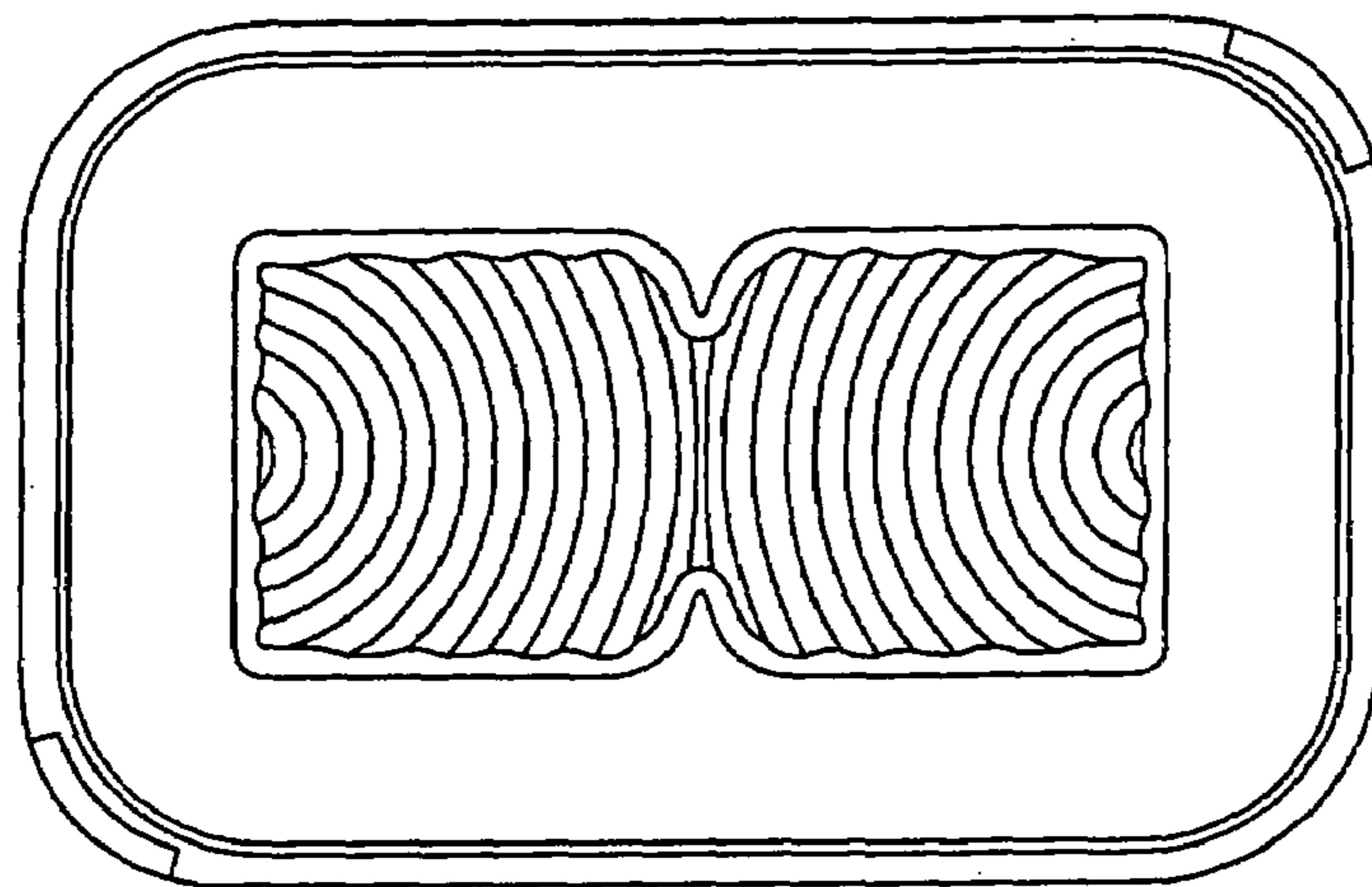


Fig 14

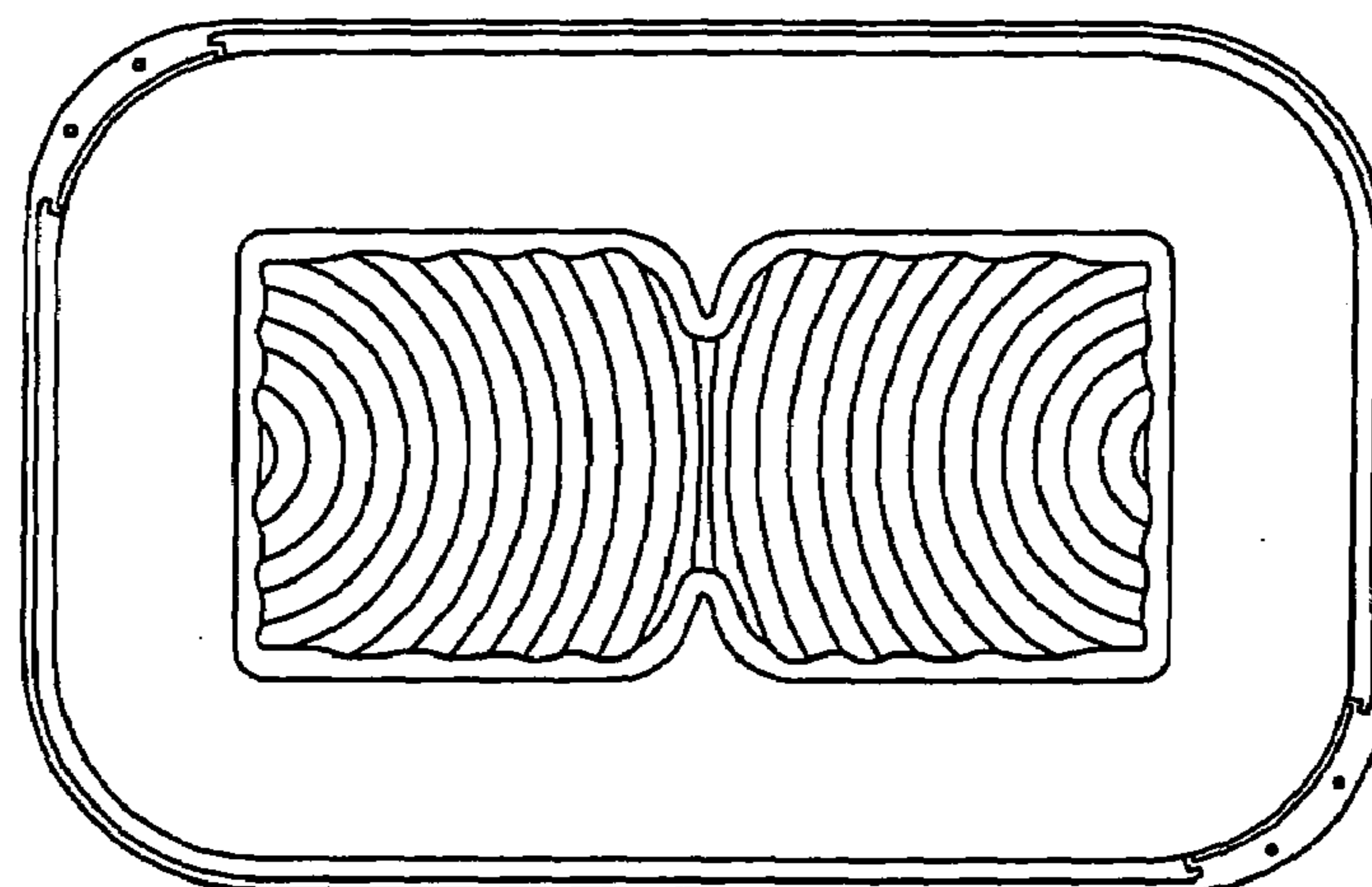


Fig 15

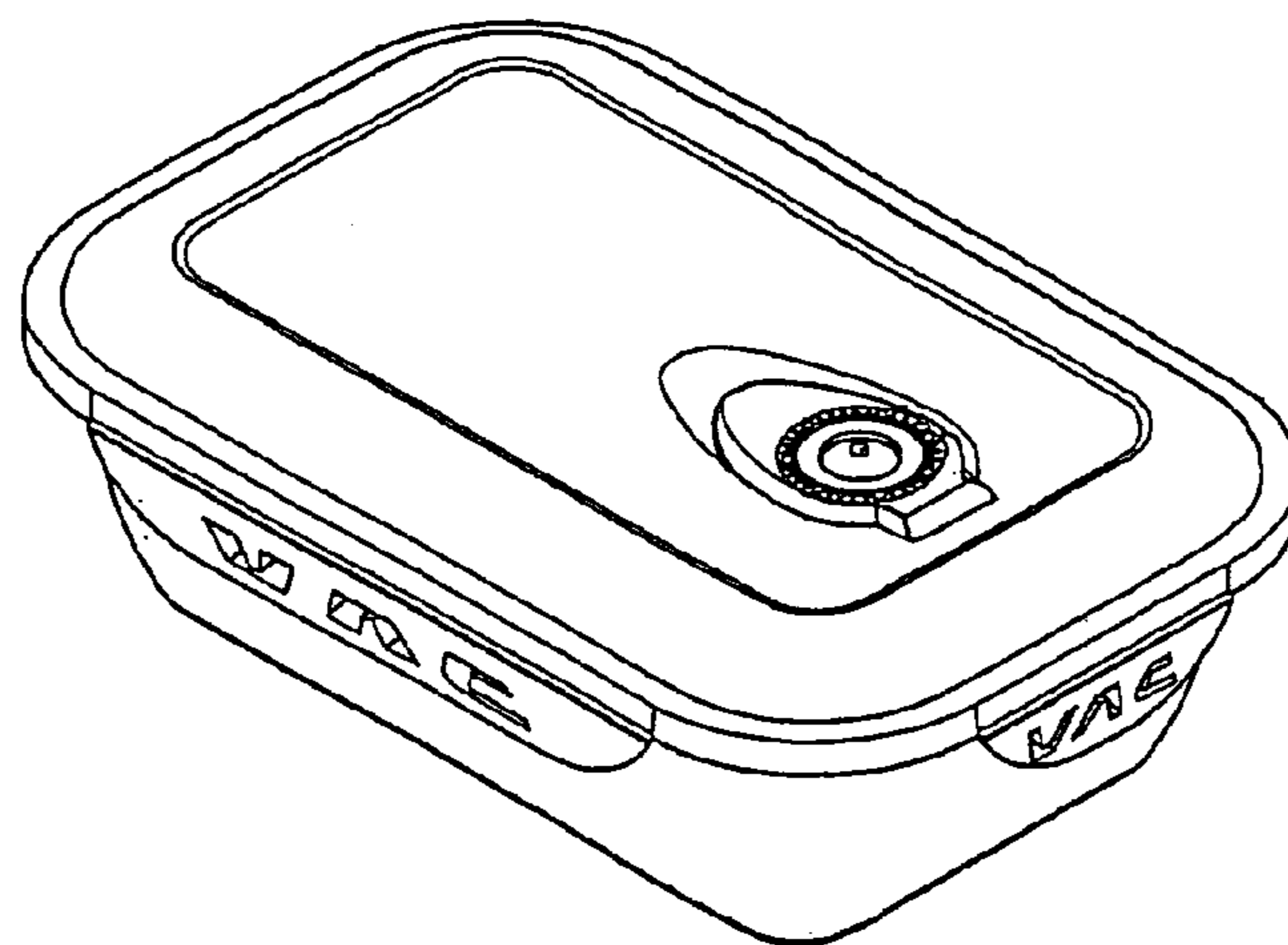


Fig 16

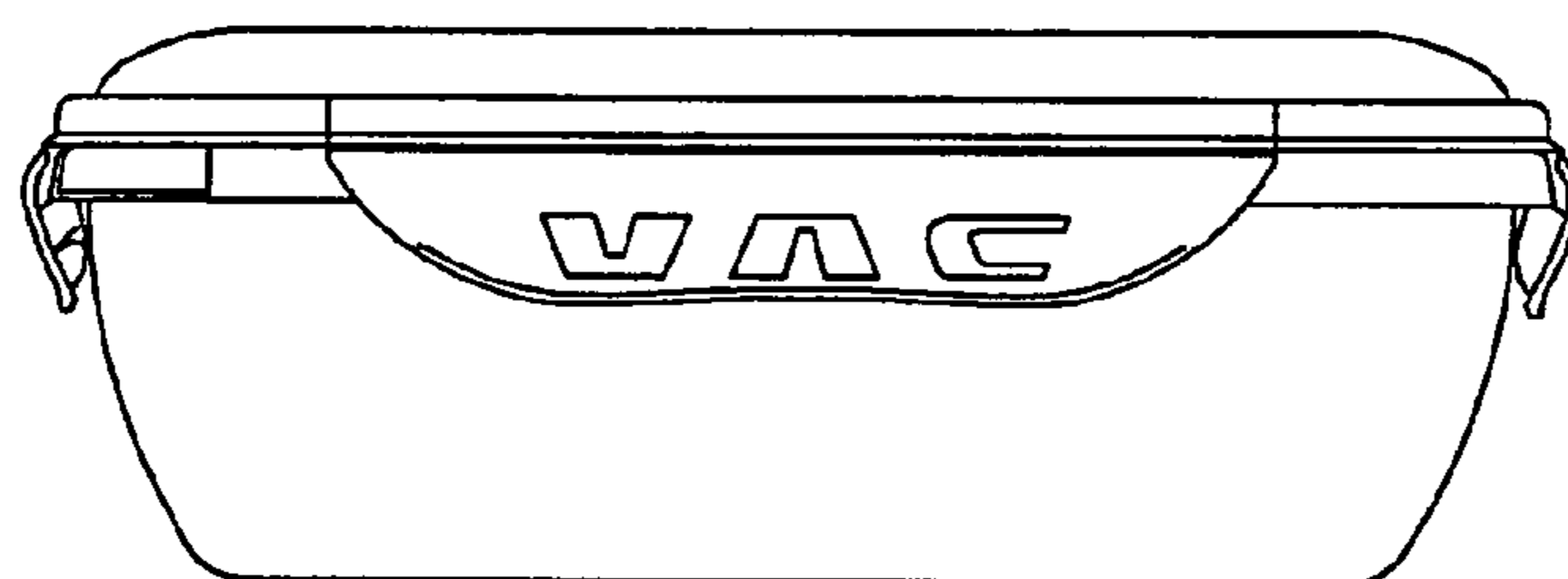


Fig 17

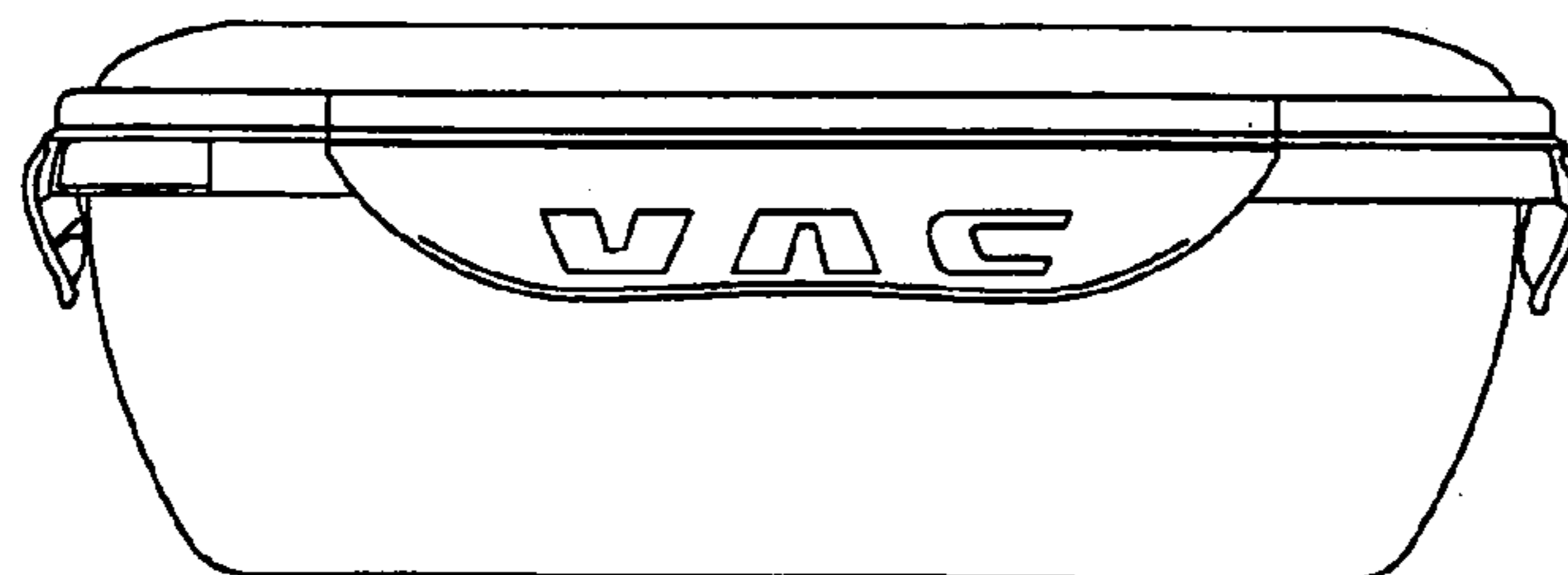


Fig 18

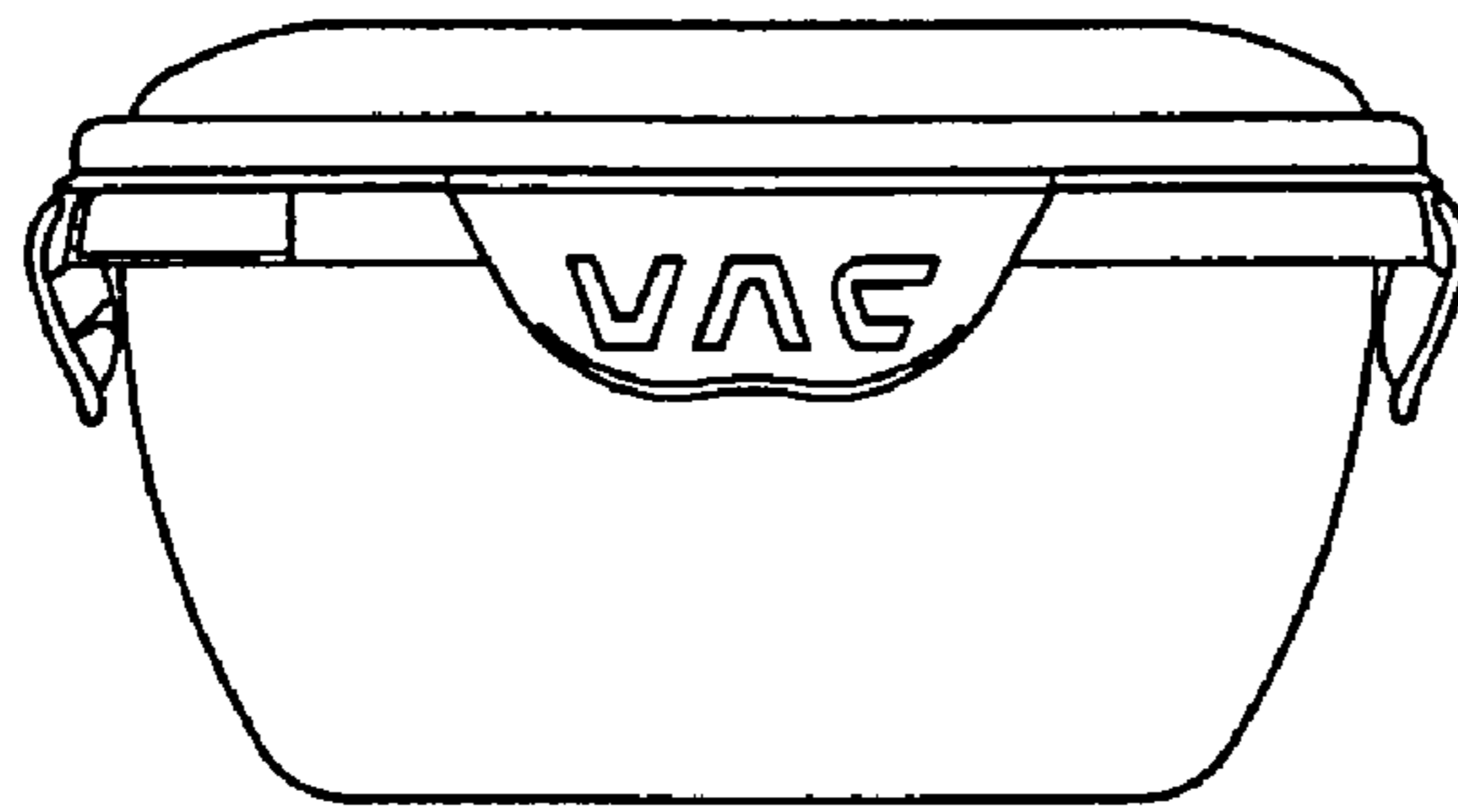


Fig 19

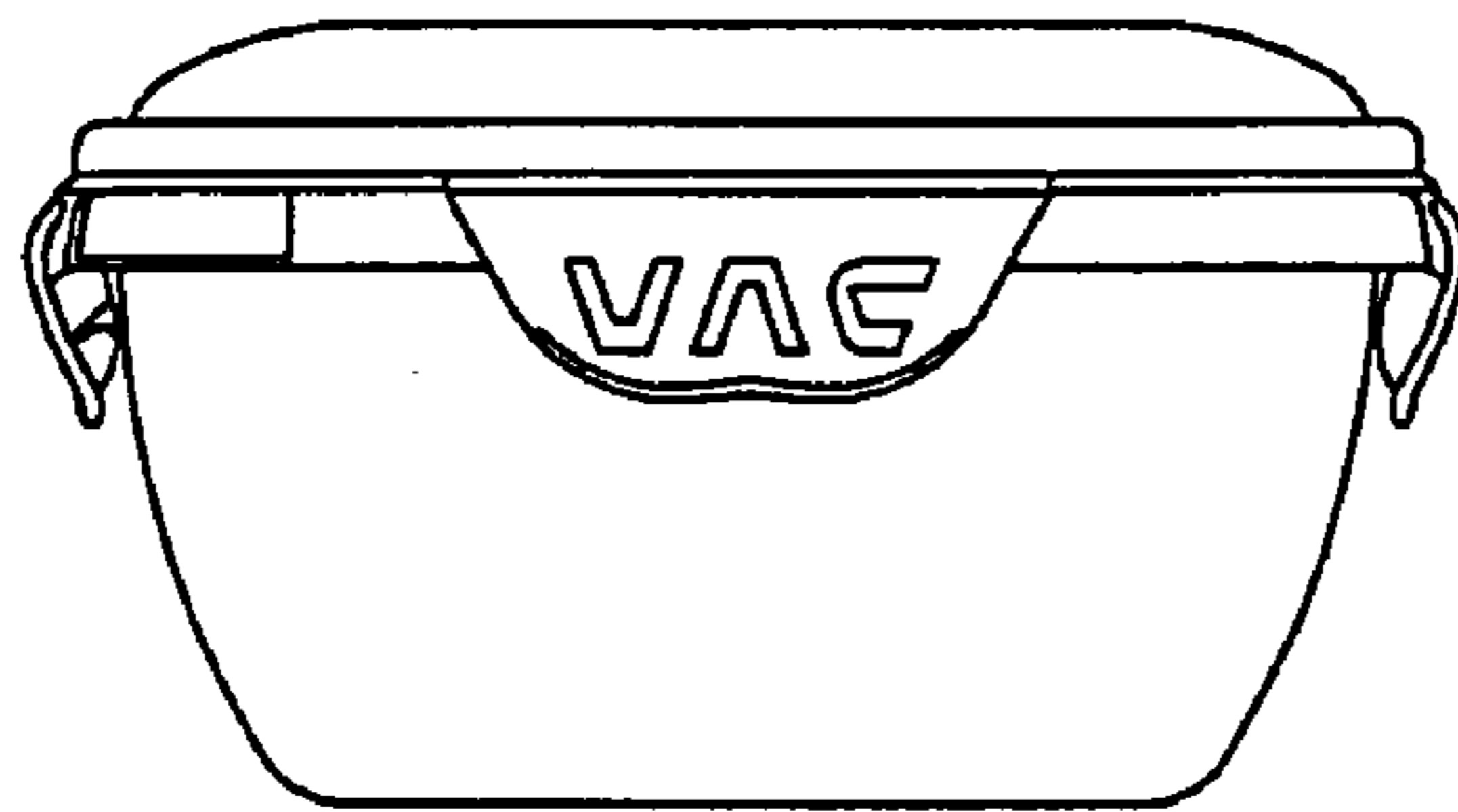


Fig 20

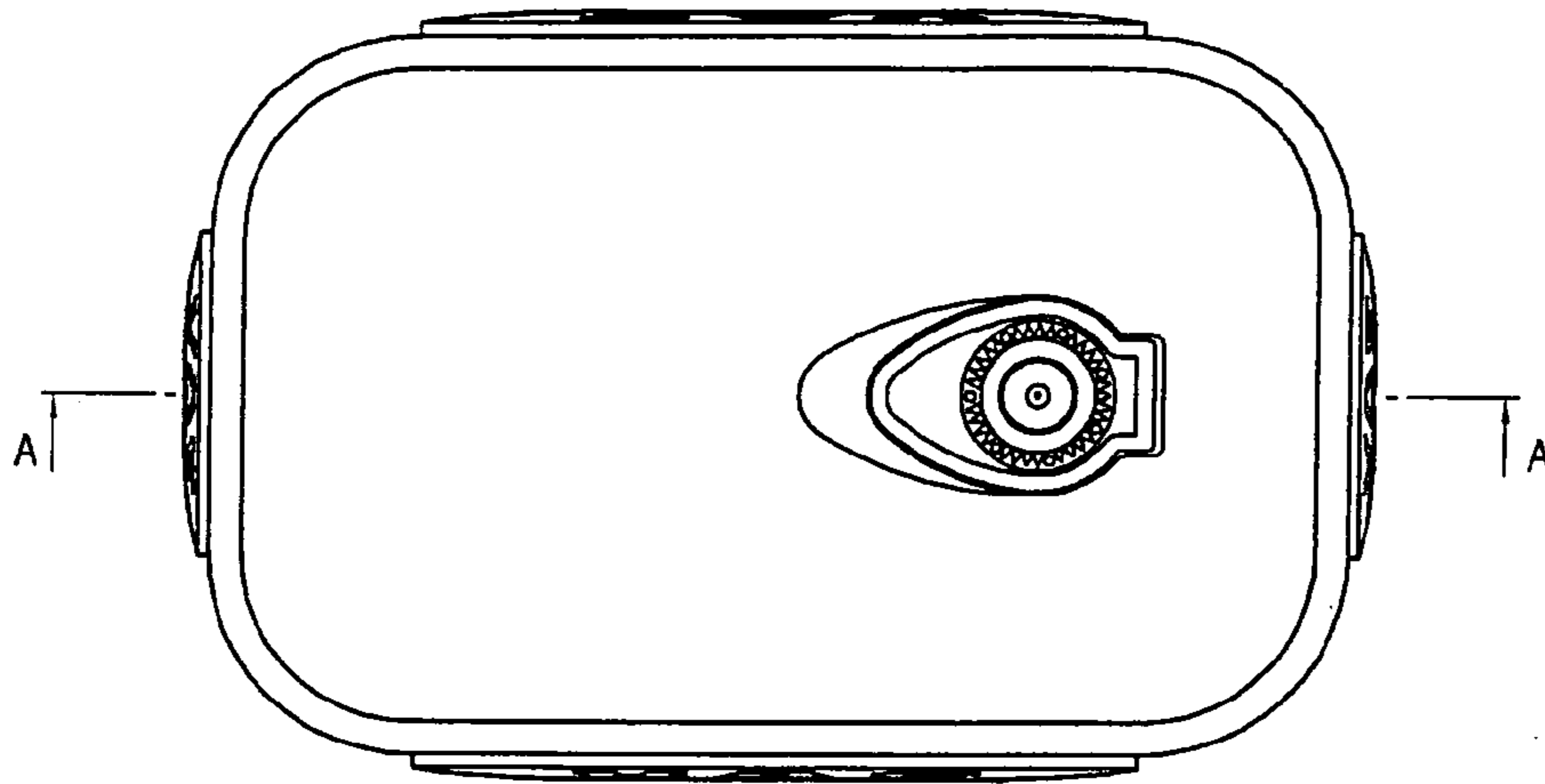


Fig 21

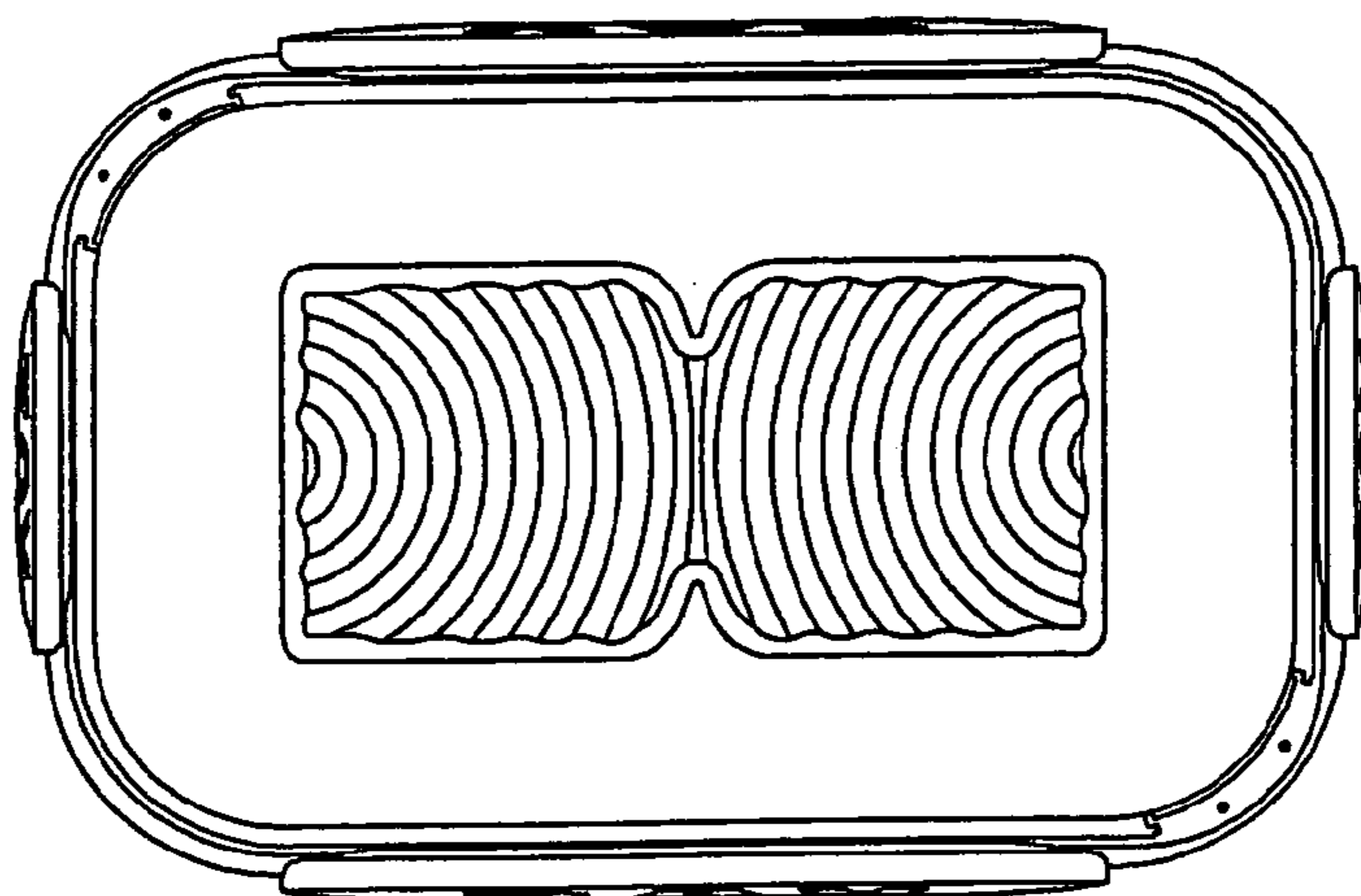


Fig 22

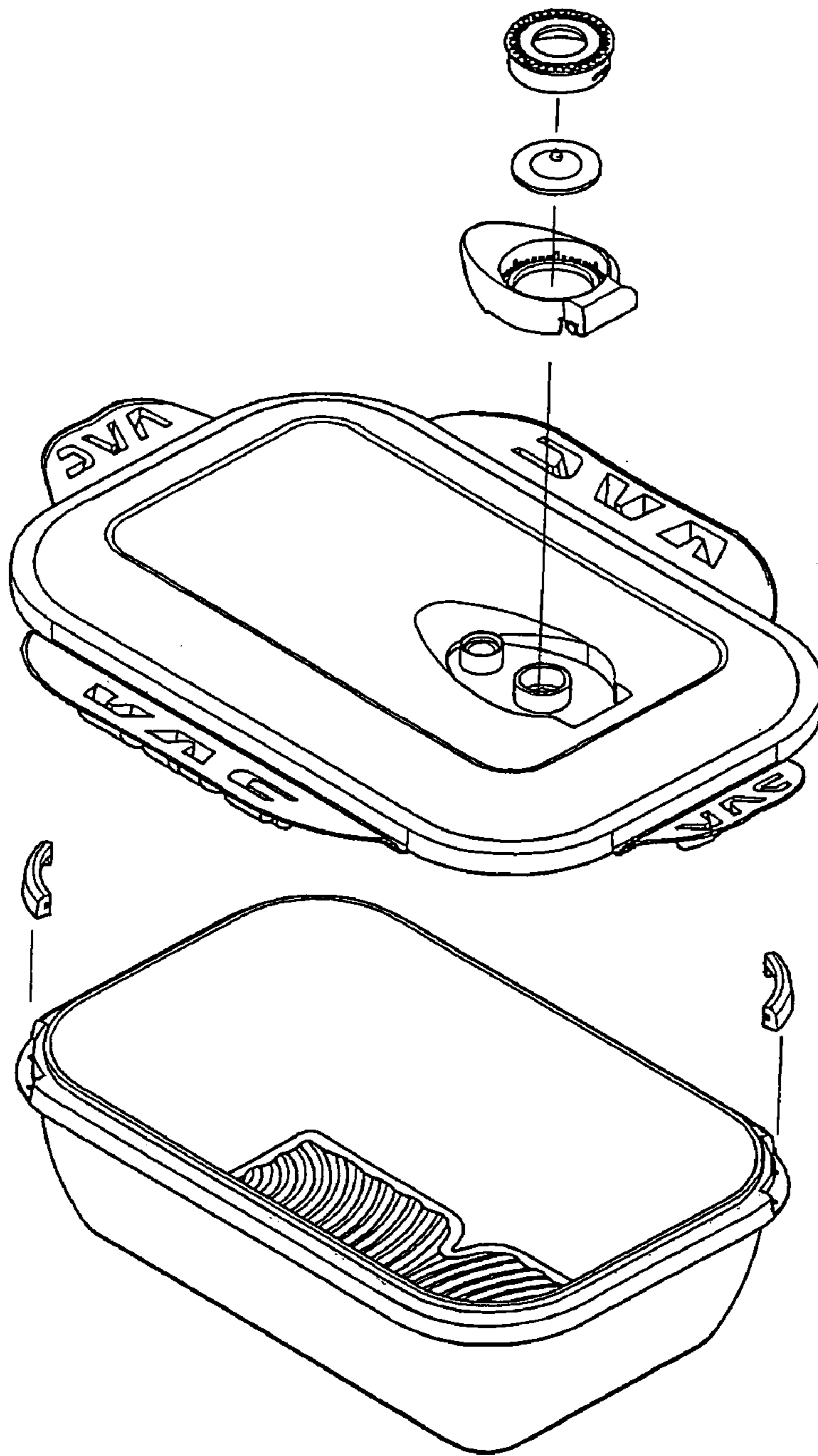


Fig 23

