



US00D591108S

(12) **United States Design Patent**
Pesach et al.

(10) **Patent No.:** **US D591,108 S**
(45) **Date of Patent:** **** Apr. 28, 2009**

(54) **WATER BOTTLE**

(75) Inventors: **Assaf Pesach**, Kibbutz Maagan (IL);
Dan Peleg, Kiryat Tivon (IL); **Yair Barkai**, Kibbutz Ashdot Yaacov Ichud (IL); **Amit Shay**, Gan Ner (IL)

(73) Assignee: **Log-Plastic Products Company (1993) Ltd.**, D.N. Jordan Valley (IL)

(**) Term: **14 Years**

(21) Appl. No.: **29/308,796**

(22) Filed: **Jul. 7, 2008**

(51) **LOC (9) Cl.** **07-01**

(52) **U.S. Cl.** **D7/510; D7/511**

(58) **Field of Classification Search** D7/509,
D7/533, 510, 608; D9/500; 210/120, 85;
220/708, 711, 715, 713

See application file for complete search history.

(56) **References Cited**

U.S. PATENT DOCUMENTS

| | | | | |
|--------------|---------|--------------|-------|---------|
| D350,672 S * | 9/1994 | Egger et al. | | D7/510 |
| D351,313 S * | 10/1994 | Giard, Jr. | | D7/510 |
| D356,231 S * | 3/1995 | Peyton, Jr. | | D7/510 |
| D358,296 S * | 5/1995 | Garneau | | D7/510 |
| D358,530 S * | 5/1995 | Mehra et al. | | D7/510 |
| D379,151 S * | 5/1997 | Stevens | | D9/503 |
| D391,448 S * | 3/1998 | Winer et al. | | D7/510 |
| D391,922 S * | 3/1998 | Aromin | | D13/160 |
| D398,478 S * | 9/1998 | Spencer | | D7/510 |

| | | | | |
|--------------|---------|--------------------|-------|--------|
| D412,087 S * | 7/1999 | Spencer | | D7/510 |
| D427,909 S * | 7/2000 | Doritty et al. | | D9/500 |
| D464,849 S * | 10/2002 | Norris et al. | | D7/523 |
| D482,620 S * | 11/2003 | Kleckauskas et al. | | D9/530 |
| D482,933 S * | 12/2003 | Norris et al. | | D7/533 |
| D503,309 S * | 3/2005 | Yu | | D7/511 |
| D517,864 S * | 3/2006 | Yu | | D7/510 |
| D528,861 S * | 9/2006 | Herrera | | D7/510 |
| D566,468 S * | 4/2008 | Sandy | | D7/510 |
| D579,723 S * | 11/2008 | Williams | | D7/511 |
| D583,626 S * | 12/2008 | Toth et al. | | D7/510 |

* cited by examiner

Primary Examiner—Marianne Pandozzi

(74) *Attorney, Agent, or Firm*—Abelman, Frayne & Schwab

(57) **CLAIM**

The ornamental design for water bottle, as shown and described.

DESCRIPTION

FIG. 1 is a perspective view showing our new water bottle design with the valve in the closed condition;

FIG. 2 is a front/rear view thereof;

FIG. 3 is a top view thereof;

FIG. 4 is a left side/right side view thereof;

FIG. 5 is a bottom view thereof;

FIG. 6 is a perspective view showing our new water bottle design with the valve in the open condition; and,

FIG. 7 is a front/rear view of the water bottle of FIG. 6.

1 Claim, 5 Drawing Sheets

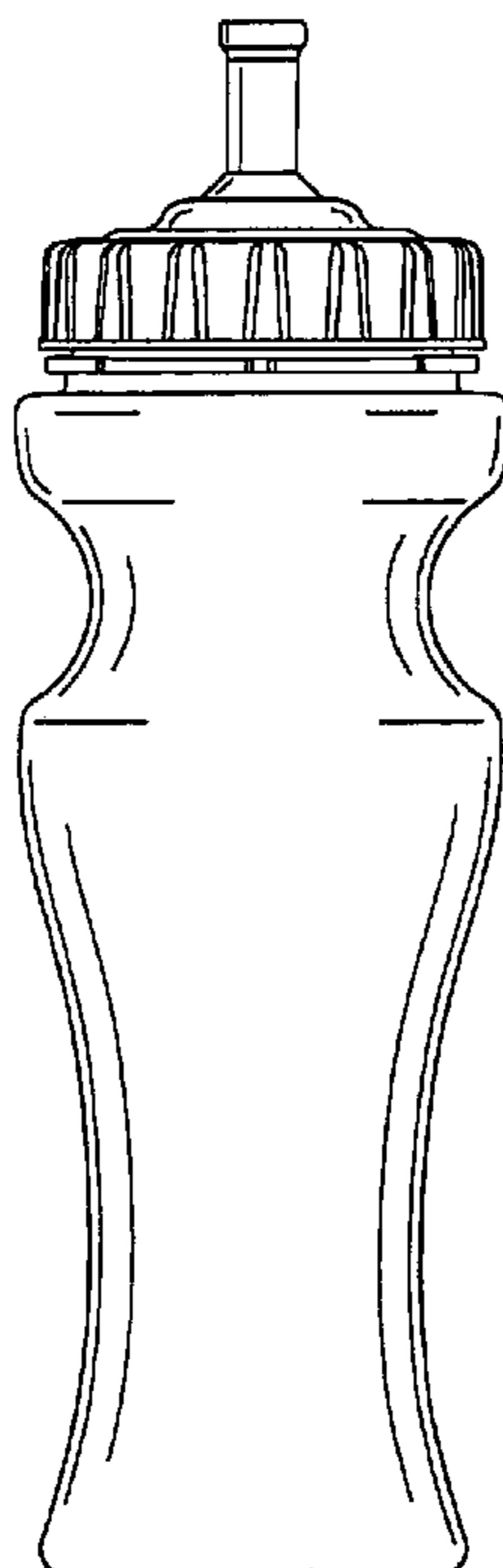


FIG. 1

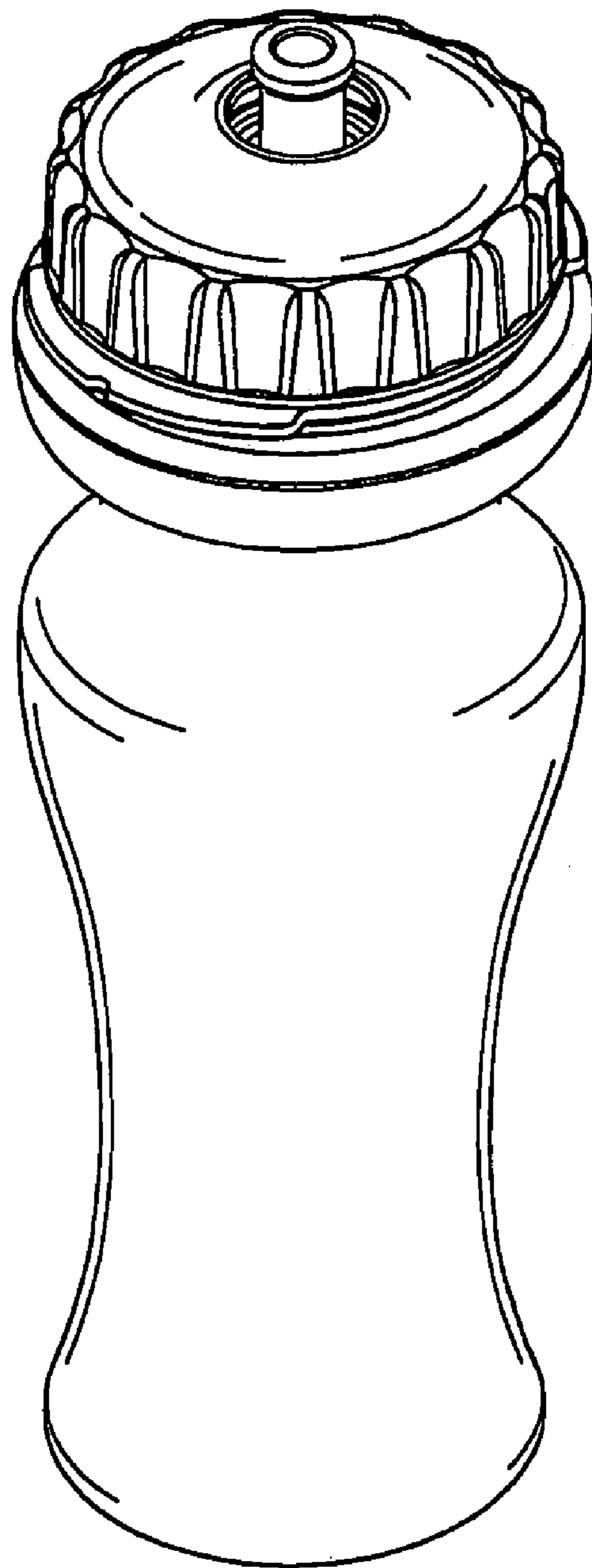


FIG. 2

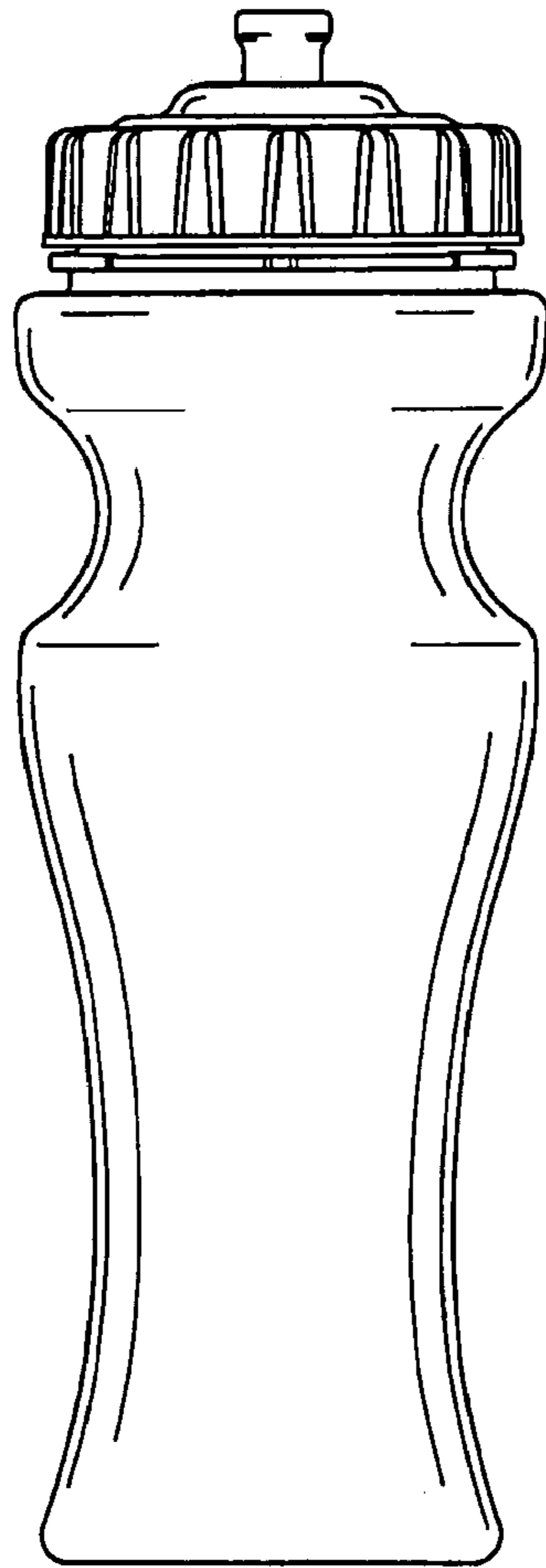


FIG. 3

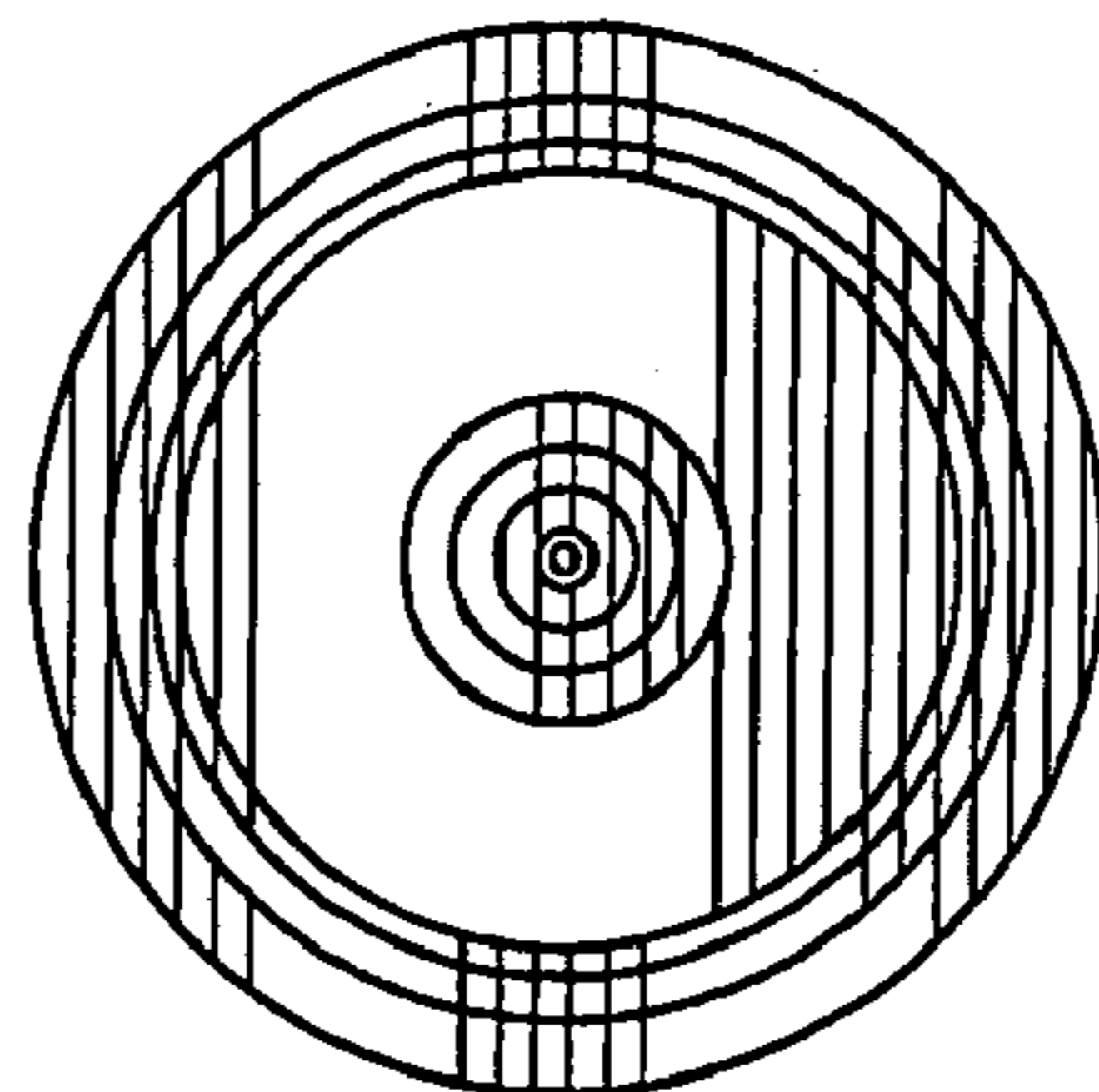


FIG. 4

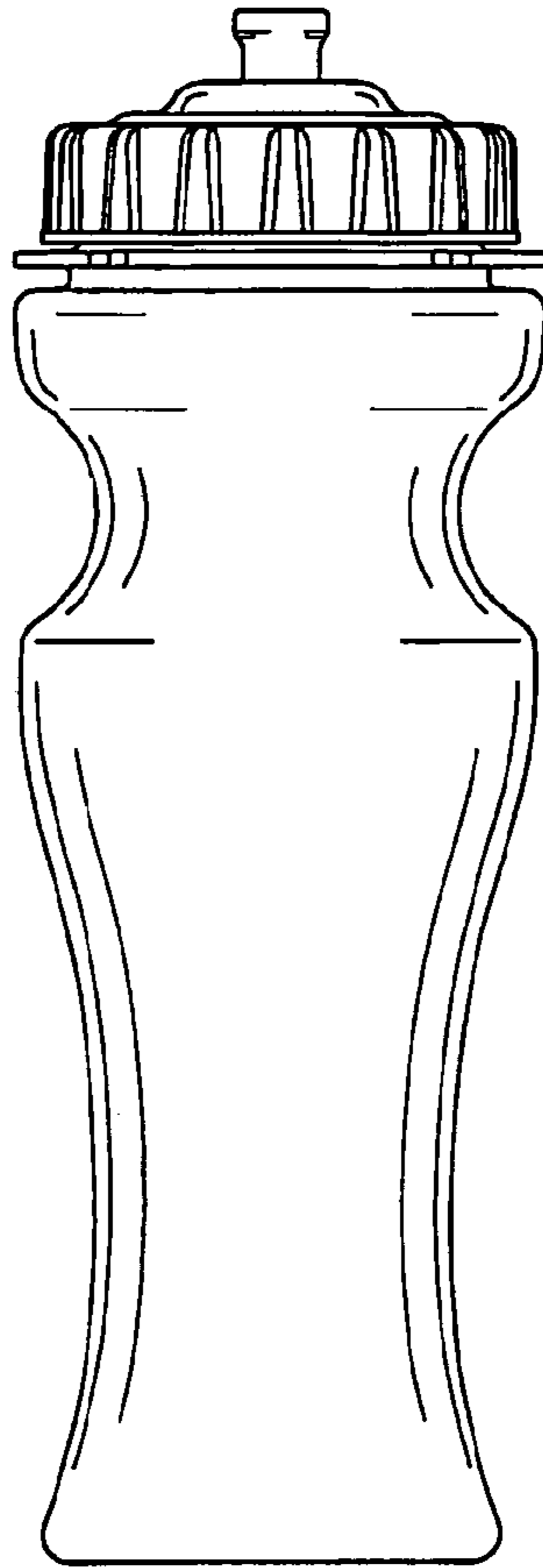


FIG. 5

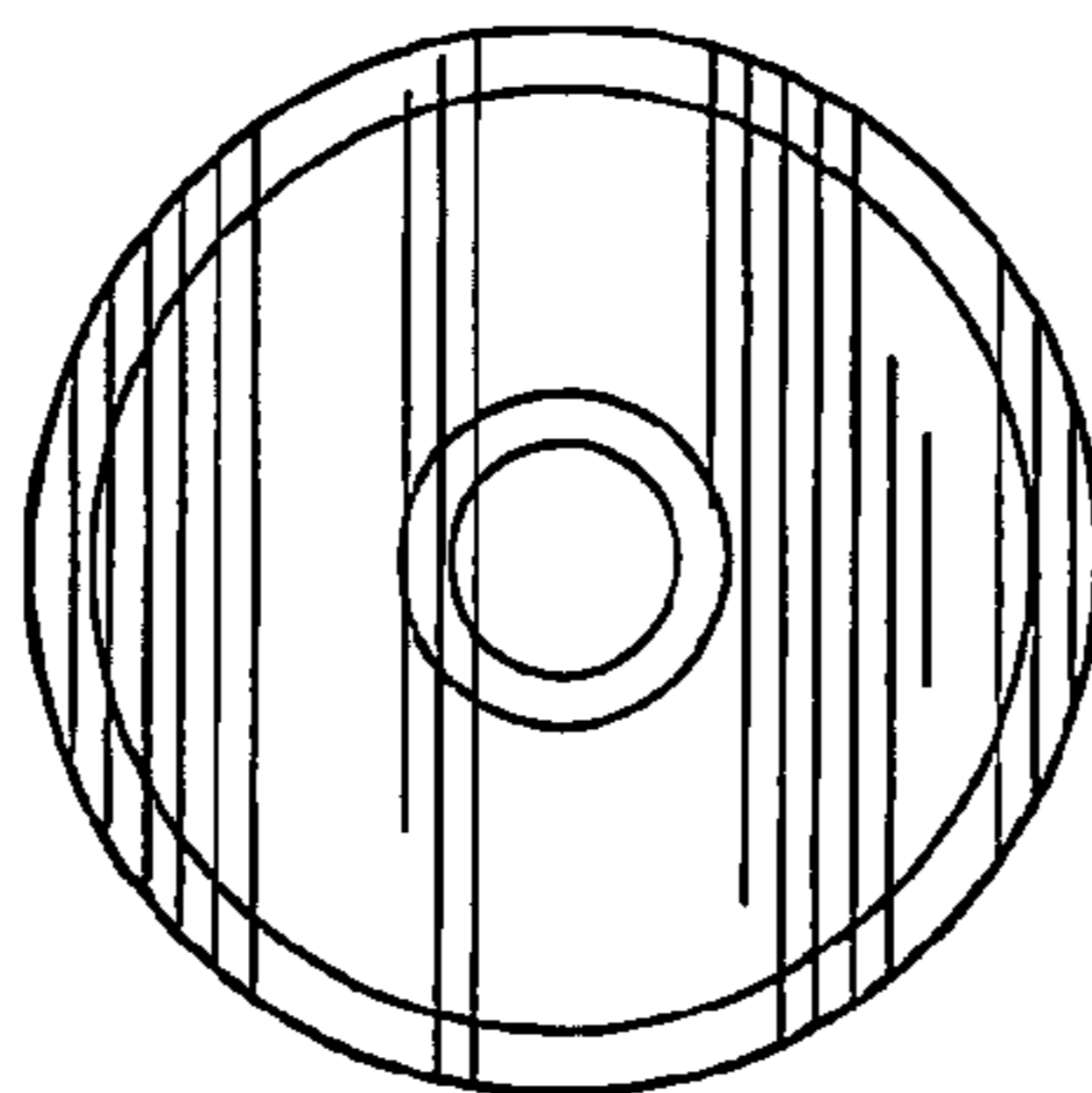


FIG. 6

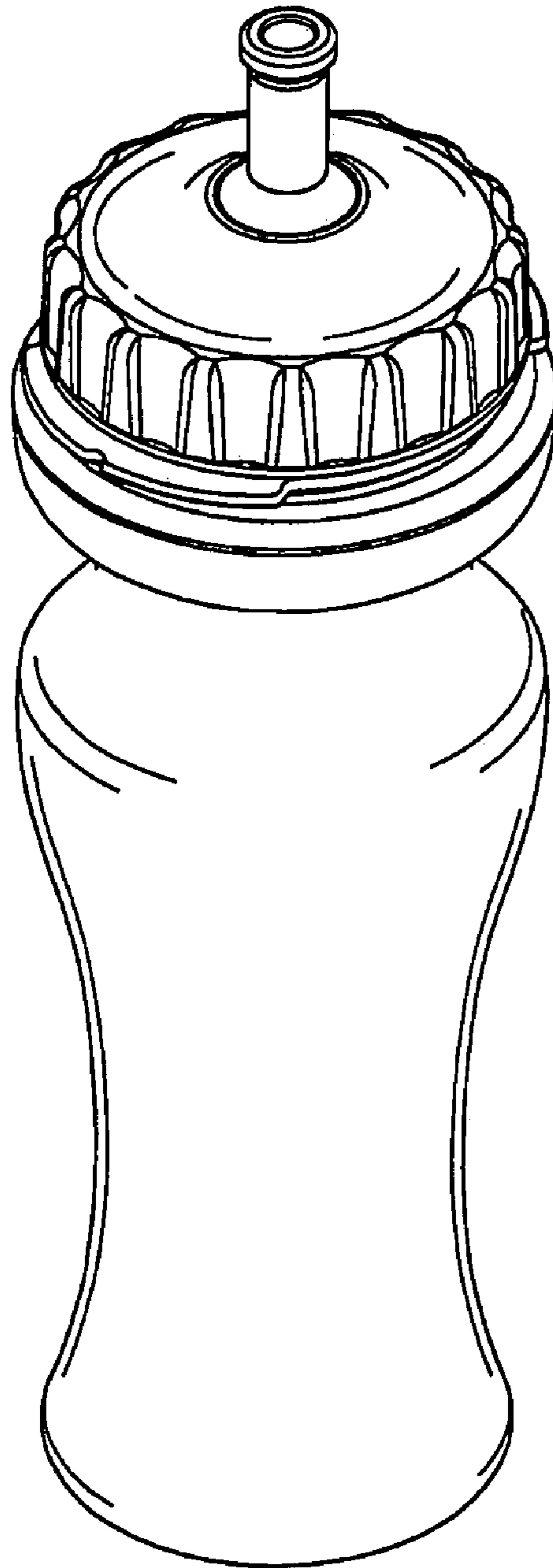


FIG. 7

