



US00D591102S

(12) **United States Design Patent**
Zatzman

(10) **Patent No.:** **US D591,102 S**

(45) **Date of Patent:** **** Apr. 28, 2009**

(54) **FIGURE SKATING BLADE MUG HANDLE**

(76) **Inventor:** **Loretta Zatzman**, 61 W. Pasaalc Ave.,
Rutherford, NJ (US) 07070

(**) **Term:** **14 Years**

(21) **Appl. No.:** **29/308,641**

(22) **Filed:** **Jun. 27, 2008**

Related U.S. Application Data

(63) Continuation-in-part of application No. 29/292,010,
filed on Sep. 25, 2007, now abandoned.

(51) **LOC (9) Cl.** **07-02**

(52) **U.S. Cl.** **D7/394**

(58) **Field of Classification Search** D7/509–515,
D7/519, 522–537, 393, 394, 396.2; D8/300,
D8/305, 315, 321; D21/761, 762, 771; 220/752,
220/753, 755, 756, 769; 280/11.12, 11.14–11.18,
280/7.13, 811, 825, 841

See application file for complete search history.

(56) **References Cited**

U.S. PATENT DOCUMENTS

2,355,401	A *	8/1944	Sim et al.	280/11.18
D166,832	S	5/1952	Thompson et al.	D7/534
3,120,397	A *	2/1964	Zwahlen et al.	280/11.12
D271,410	S *	11/1983	Olivieri	D21/761
D274,742	S *	7/1984	Couture	D21/761
D275,218	S *	8/1984	Chang	D21/761
D293,189	S	12/1987	Sandler	D7/536

D297,197	S	8/1988	Greenberg	D7/534
5,558,240	A	9/1996	Karp	220/769
5,570,893	A *	11/1996	Swande	280/11.18
D396,084	S *	7/1998	Laberge et al.	D21/761
5,826,890	A *	10/1998	Swande	280/11.18
6,234,532	B1	5/2001	Kollen	280/841
D500,112	S	12/2004	Brumpton	D21/761
D514,643	S	2/2006	Henderson	D21/771
D535,146	S *	1/2007	Grundmann	D7/394

* cited by examiner

Primary Examiner—Holly H Baynham

Assistant Examiner—Cynthia M Chin

(74) *Attorney, Agent, or Firm*—James Ray & Assoc.

(57) **CLAIM**

The ornamental design for a figure skating blade mug handle,
as shown and described.

DESCRIPTION

FIG. 1 is a front perspective view of a figure skating blade mug handle.

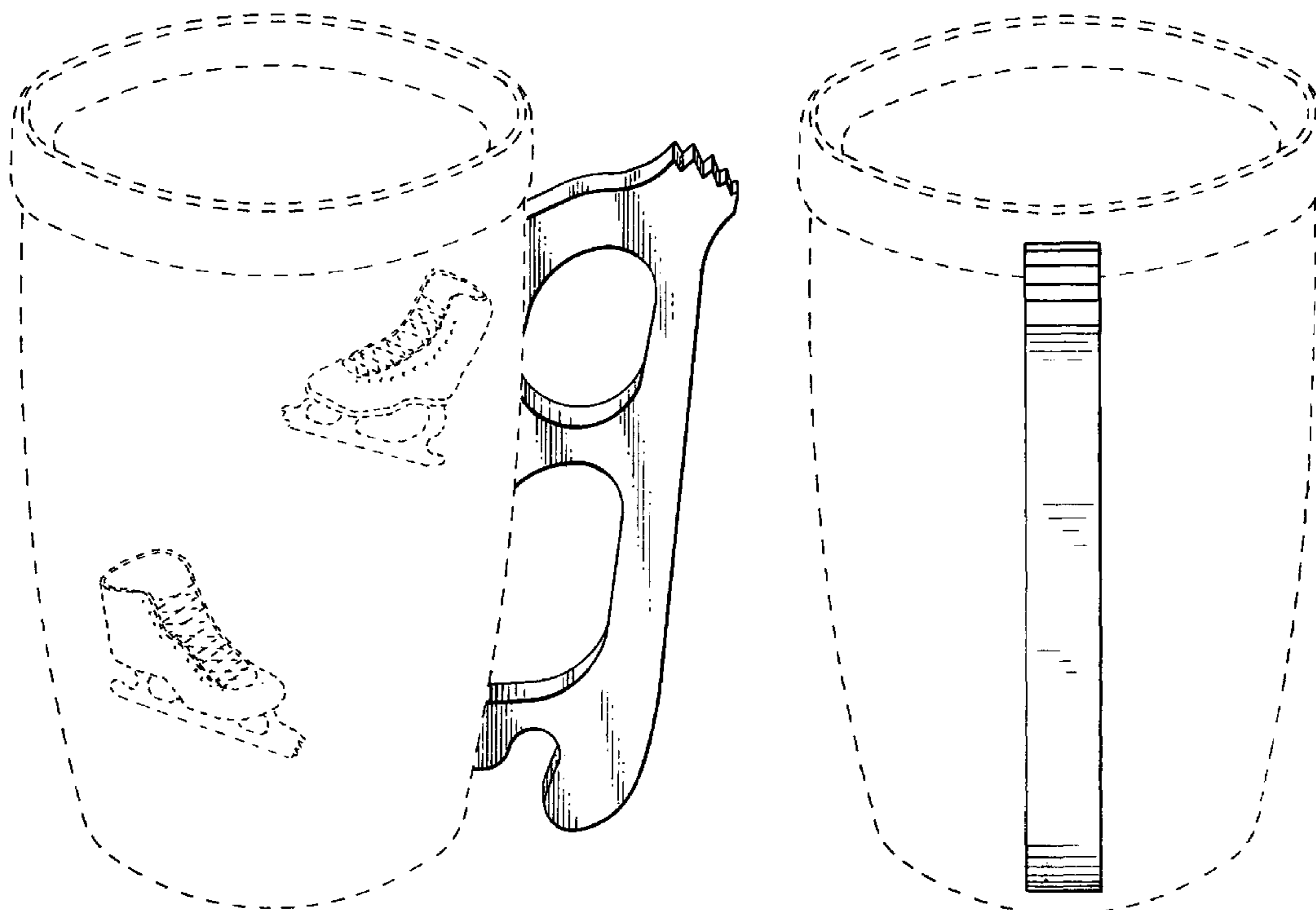
FIG. 2 is a side perspective view of a figure skating blade mug handle.

FIG. 3 is a top plan view of a figure skating blade mug handle.

FIG. 4 is a bottom plan view of a figure skating blade mug handle; and,

FIG. 5 is a rear perspective view of a figure skating blade mug handle.

1 Claim, 4 Drawing Sheets



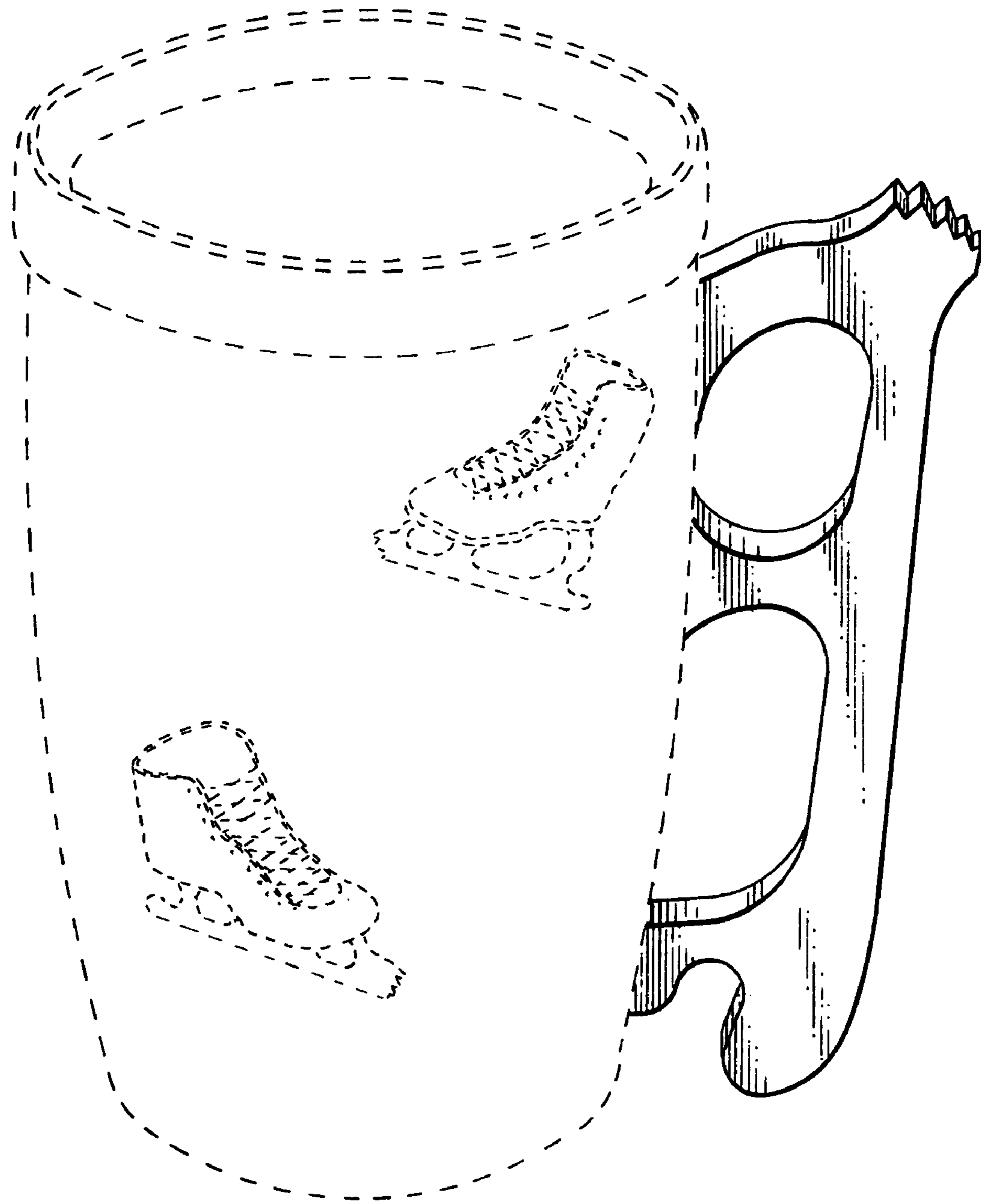


FIG. 1

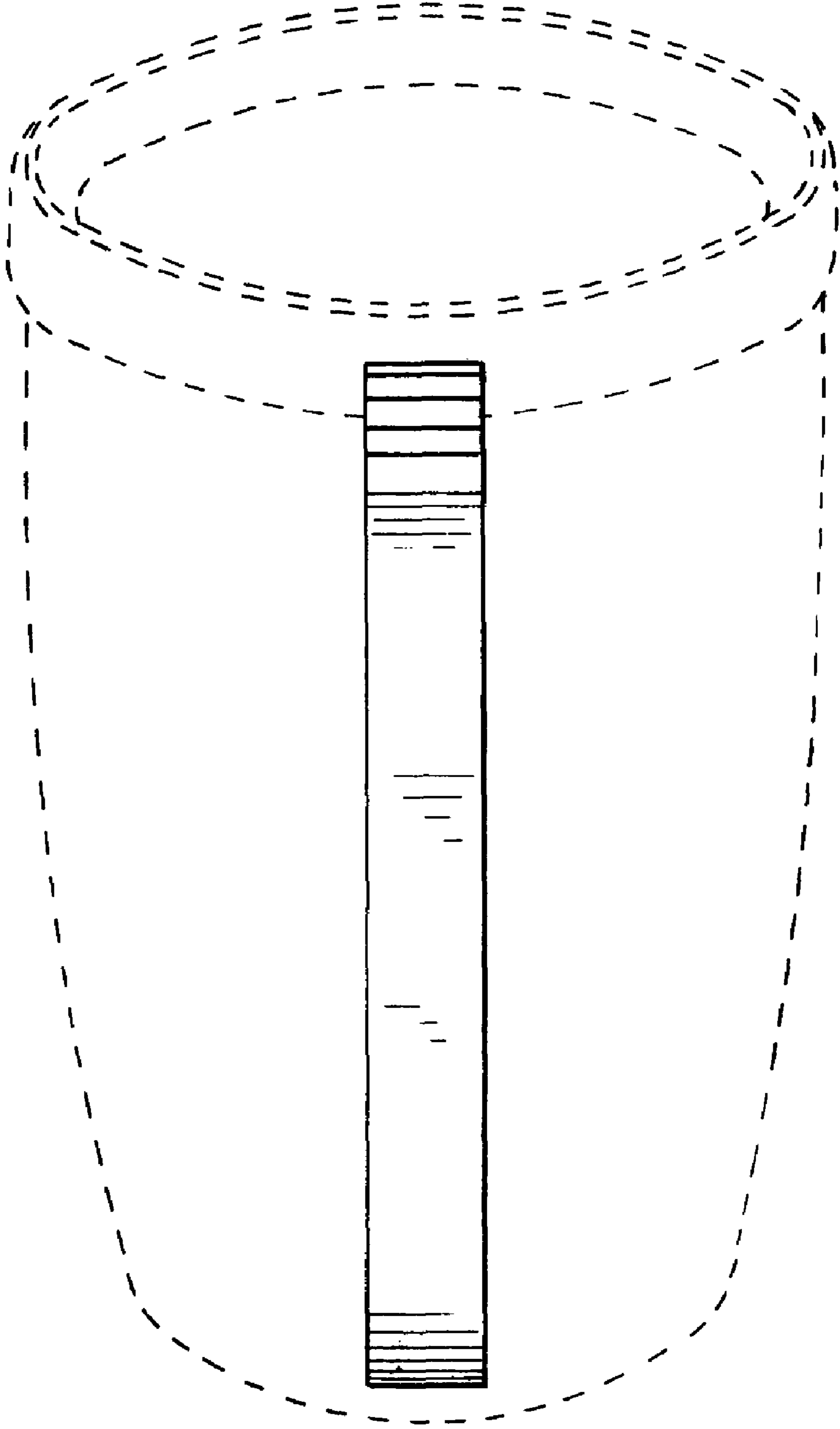


FIG. 2

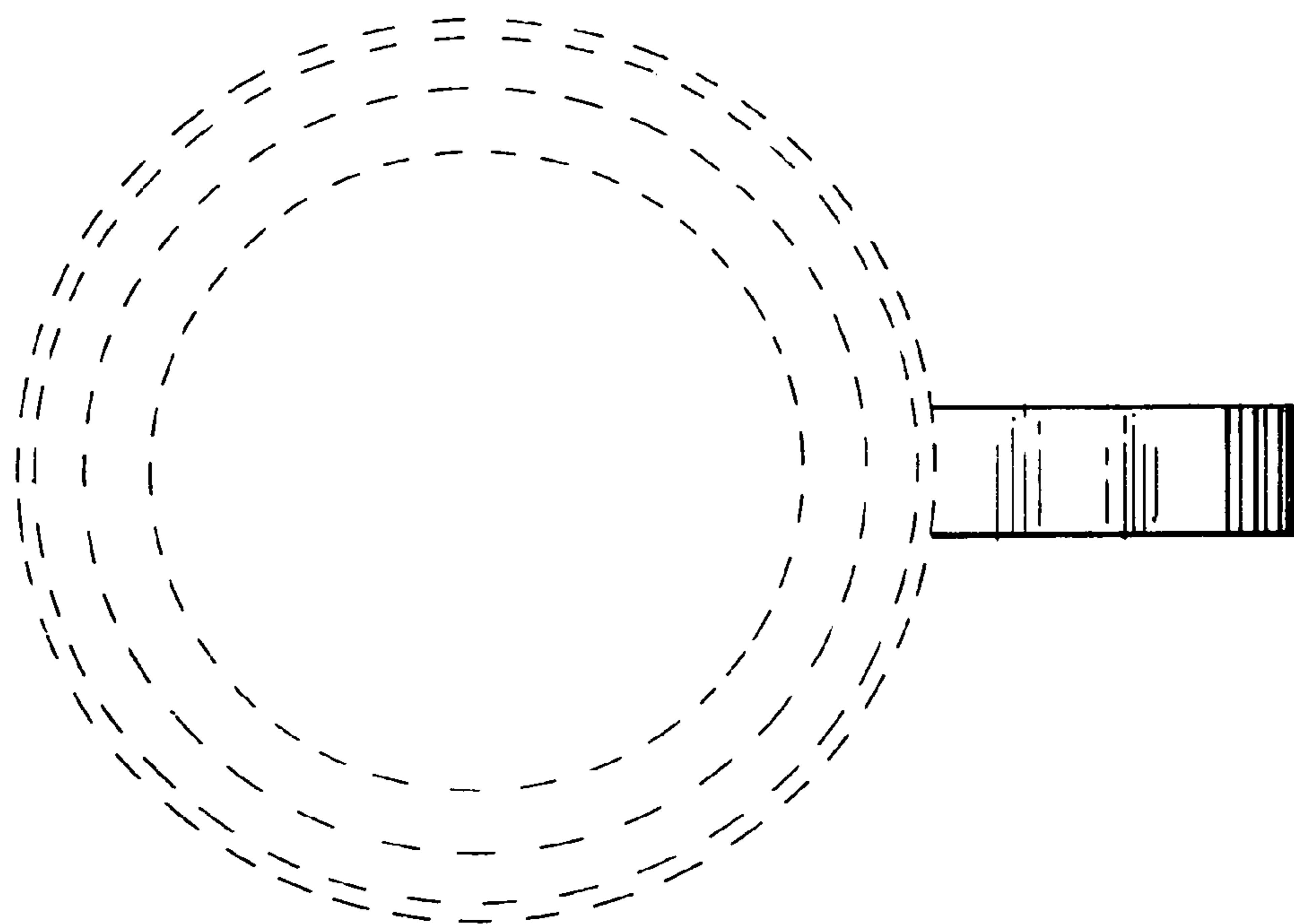


FIG. 3

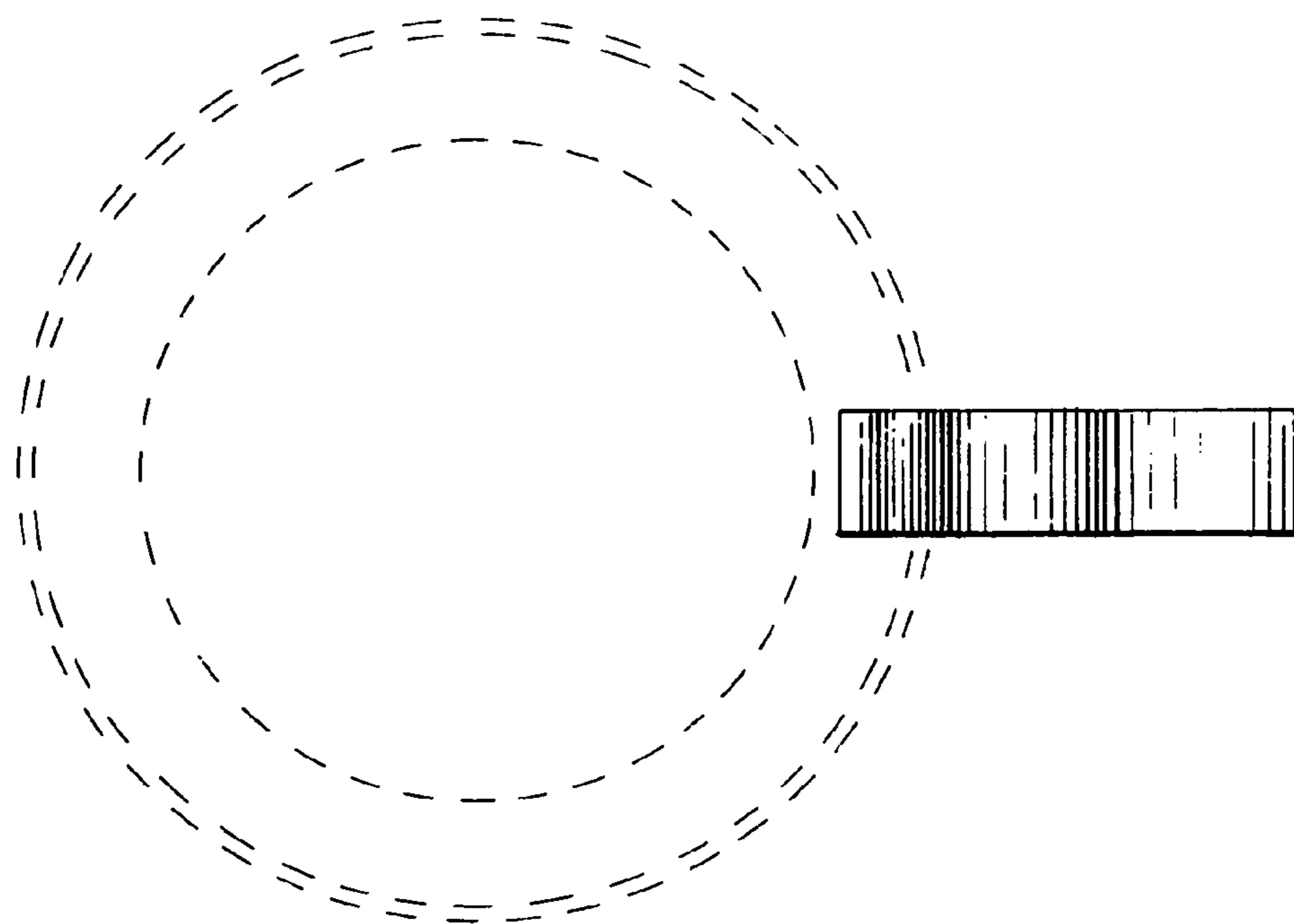


FIG. 4

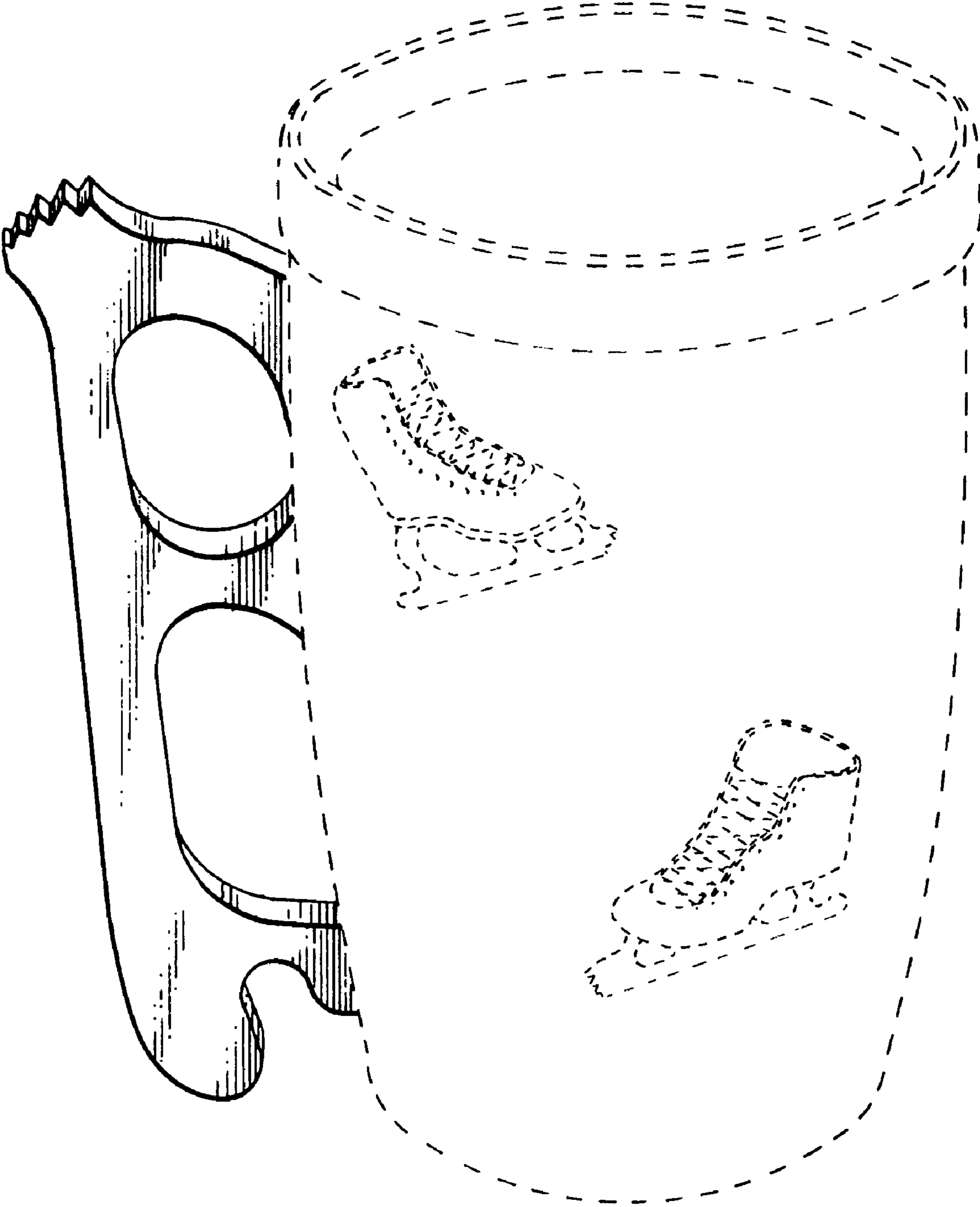


FIG. 5