



US00D591100S

(12) **United States Design Patent**
Schneider

(10) **Patent No.:** **US D591,100 S**

(45) **Date of Patent:** **** Apr. 28, 2009**

(54) **BEVERAGE DISPENSER**

(75) Inventor: **Al Schneider**, Westbury, NY (US)

(73) Assignee: **Godinger Silver Art Co., Ltd.**,
Ridgewood, NY (US)

(**) Term: **14 Years**

(21) Appl. No.: **29/292,598**

(22) Filed: **Oct. 18, 2007**

(51) **LOC (9) Cl.** **07-01**

(52) **U.S. Cl.** **D7/306**

(58) **Field of Classification Search** D7/310,
D7/311, 305, 300, 306; 99/280, 283, 275,
99/300; 222/129.1

See application file for complete search history.

(56) **References Cited**

U.S. PATENT DOCUMENTS

- D271,463 S * 11/1983 Lents D7/305
- D310,612 S * 9/1990 Desrosiers D7/307
- D366,095 S * 1/1996 Farley D23/209
- D367,989 S * 3/1996 Mills et al. D7/308

- D465,119 S * 11/2002 Strandell et al. D7/307
- D557,566 S * 12/2007 Linnane et al. D7/605
- D570,148 S * 6/2008 Garman D7/306

* cited by examiner

Primary Examiner—Holly H Baynham

Assistant Examiner—Sheryl Lane

(74) *Attorney, Agent, or Firm*—Cohen Pontani Lieberman &
Pavane LLP

(57) **CLAIM**

The ornamental design for a beverage dispenser, as shown and described.

DESCRIPTION

FIG. 1 is a front view of a beverage dispenser in accordance with the present invention;

FIG. 2 is a top view thereof;

FIG. 3 is a right-side view thereof;

FIG. 4 is a left-side view thereof;

FIG. 5 is a rear view thereof; and,

FIG. 6 is a bottom view thereof.

1 Claim, 6 Drawing Sheets

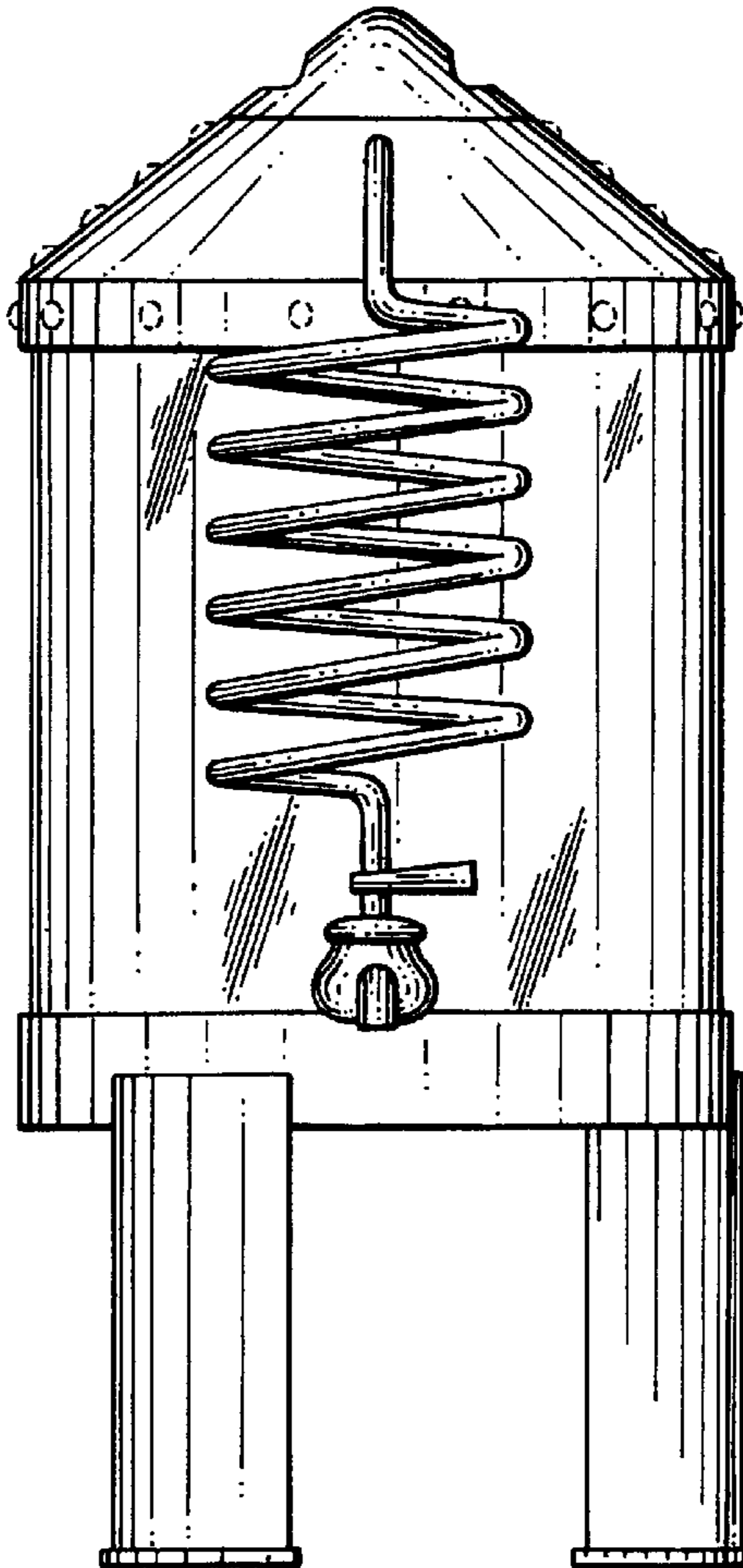
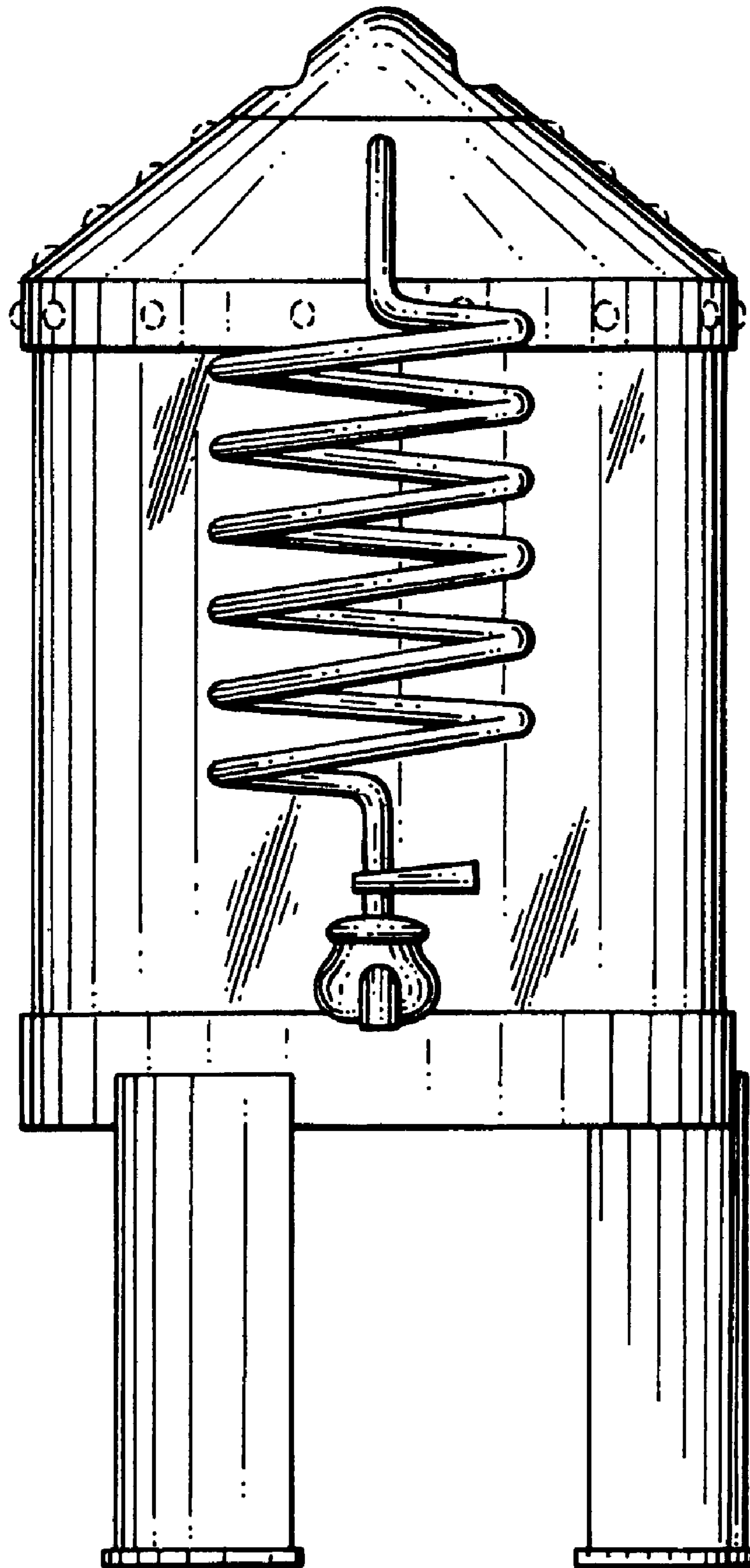


FIG. 1



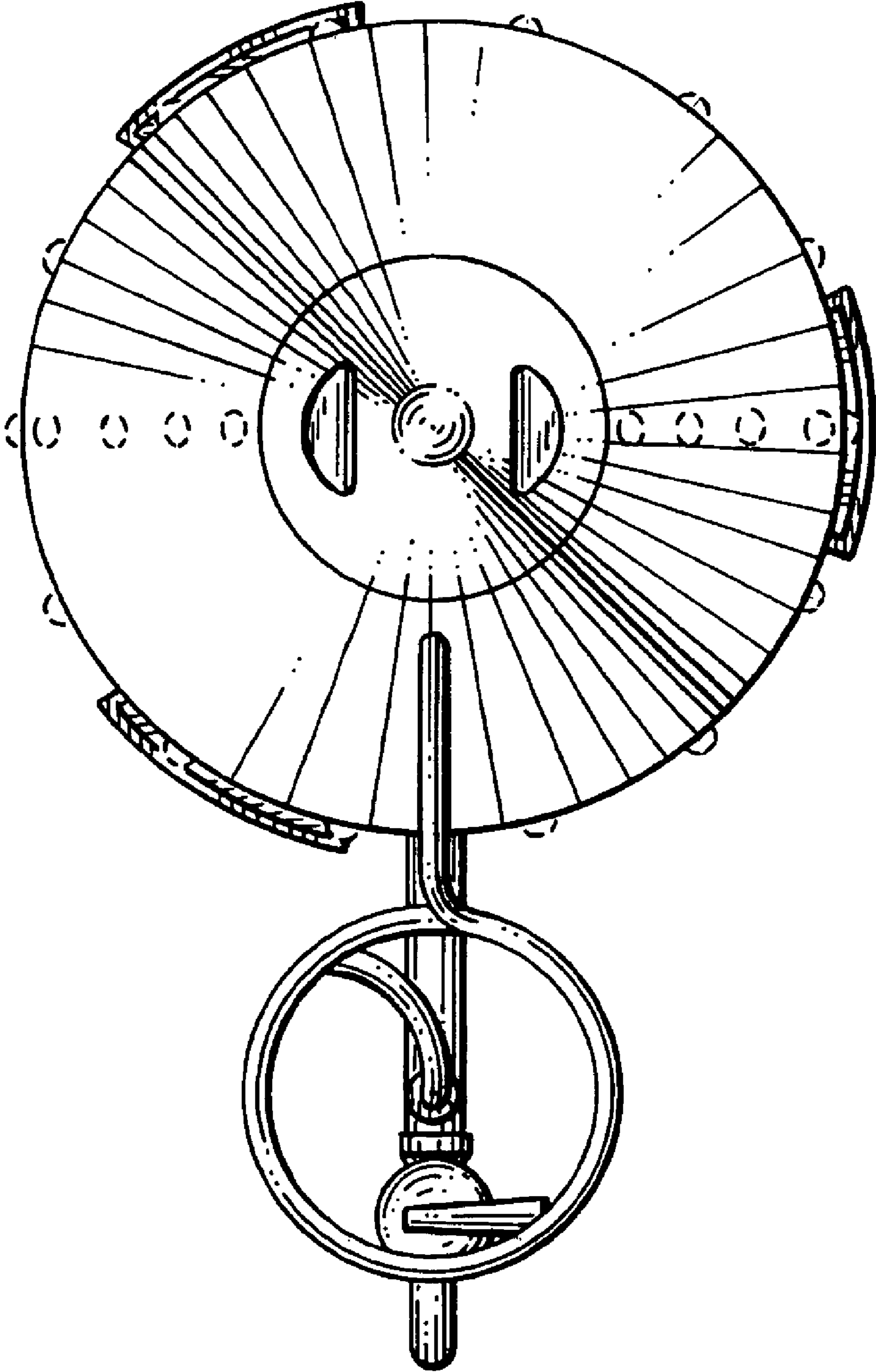
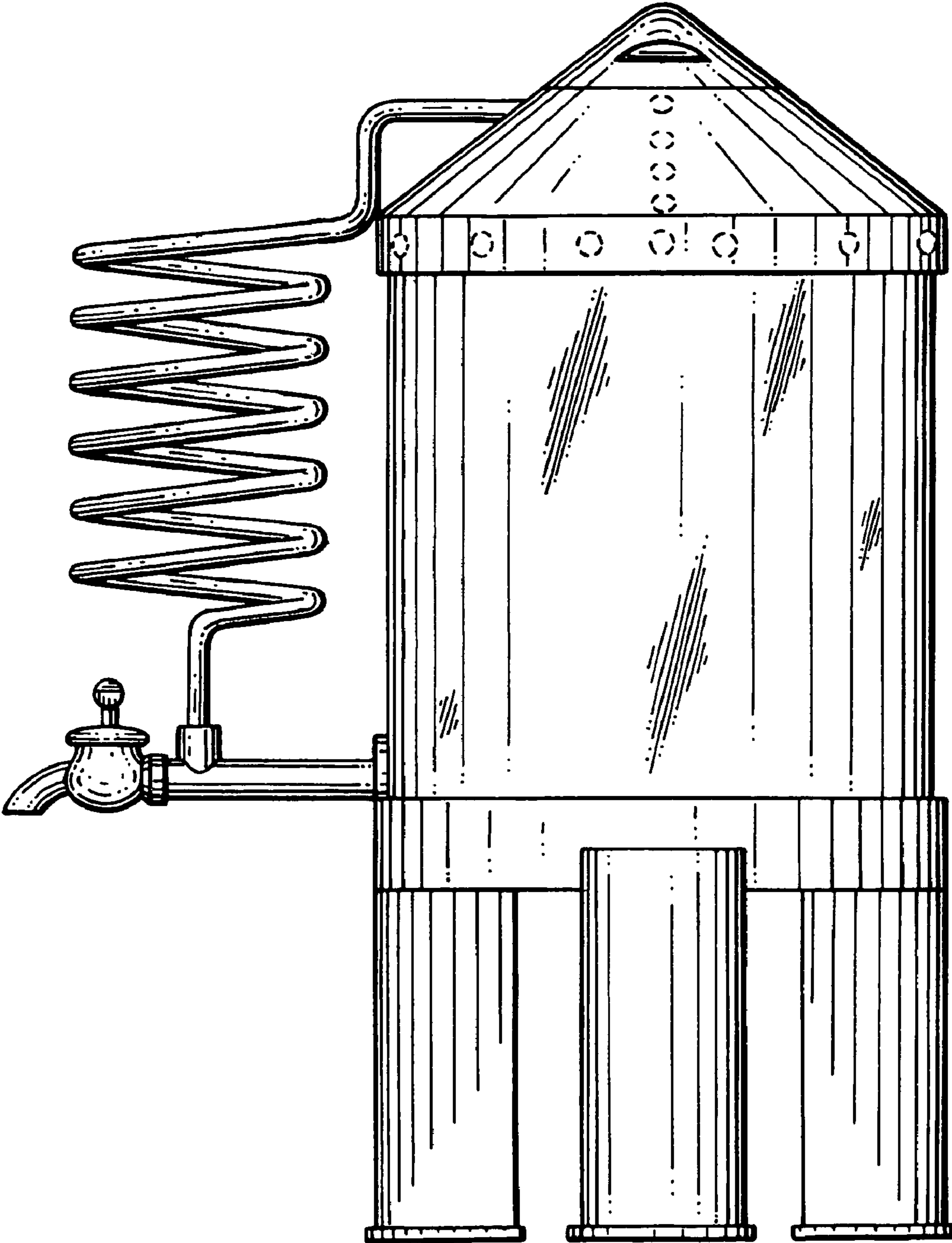


FIG.2

FIG.3



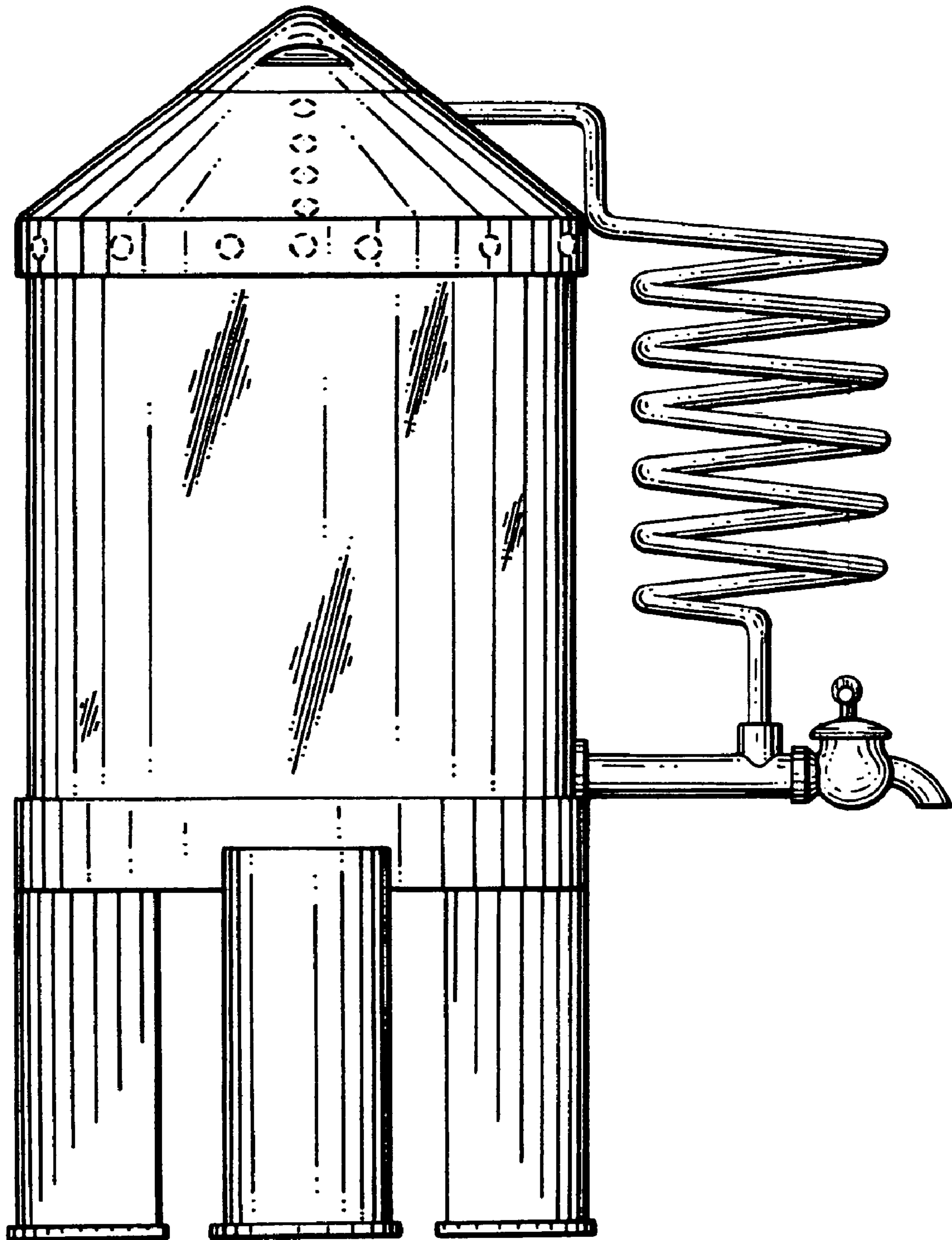
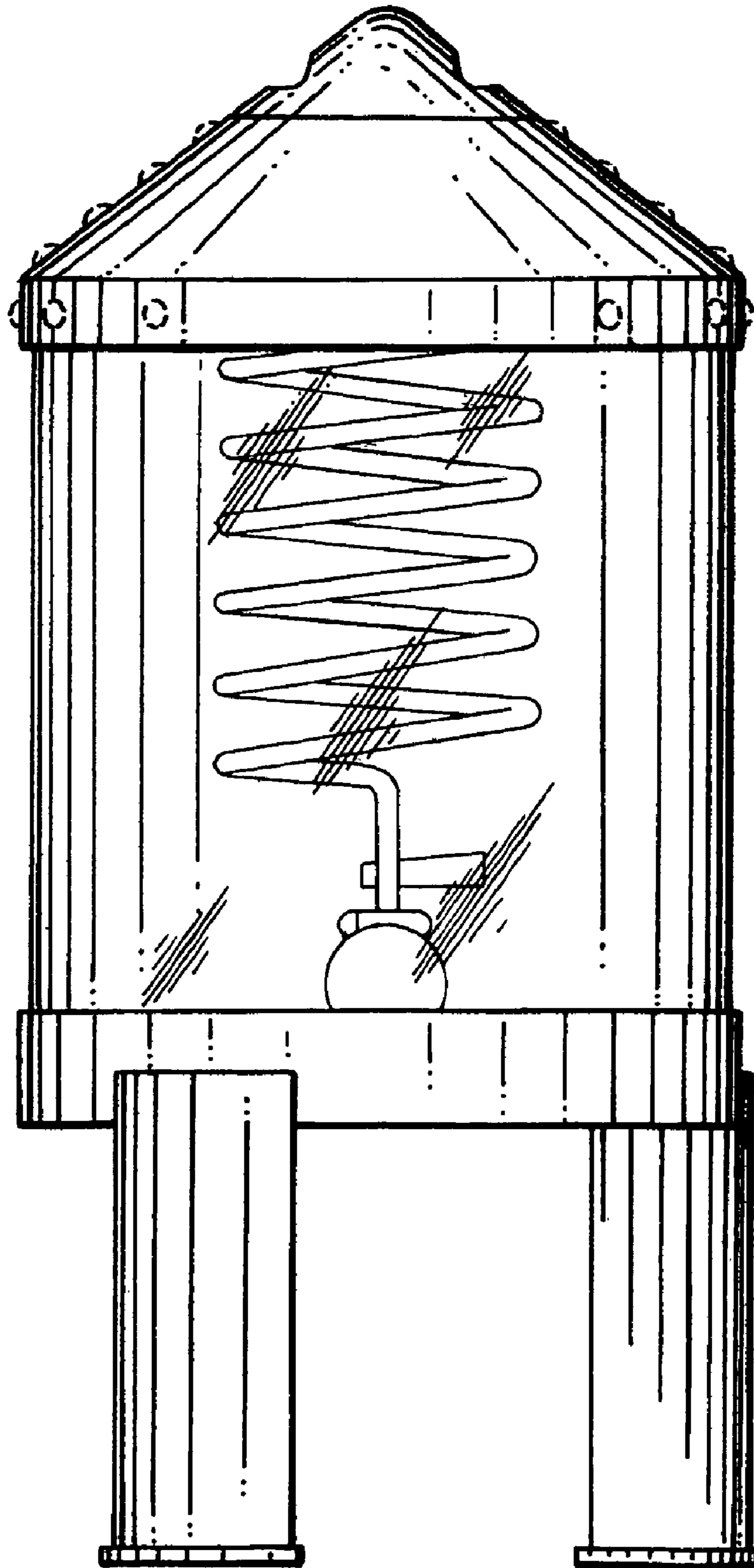


FIG.4

FIG. 5



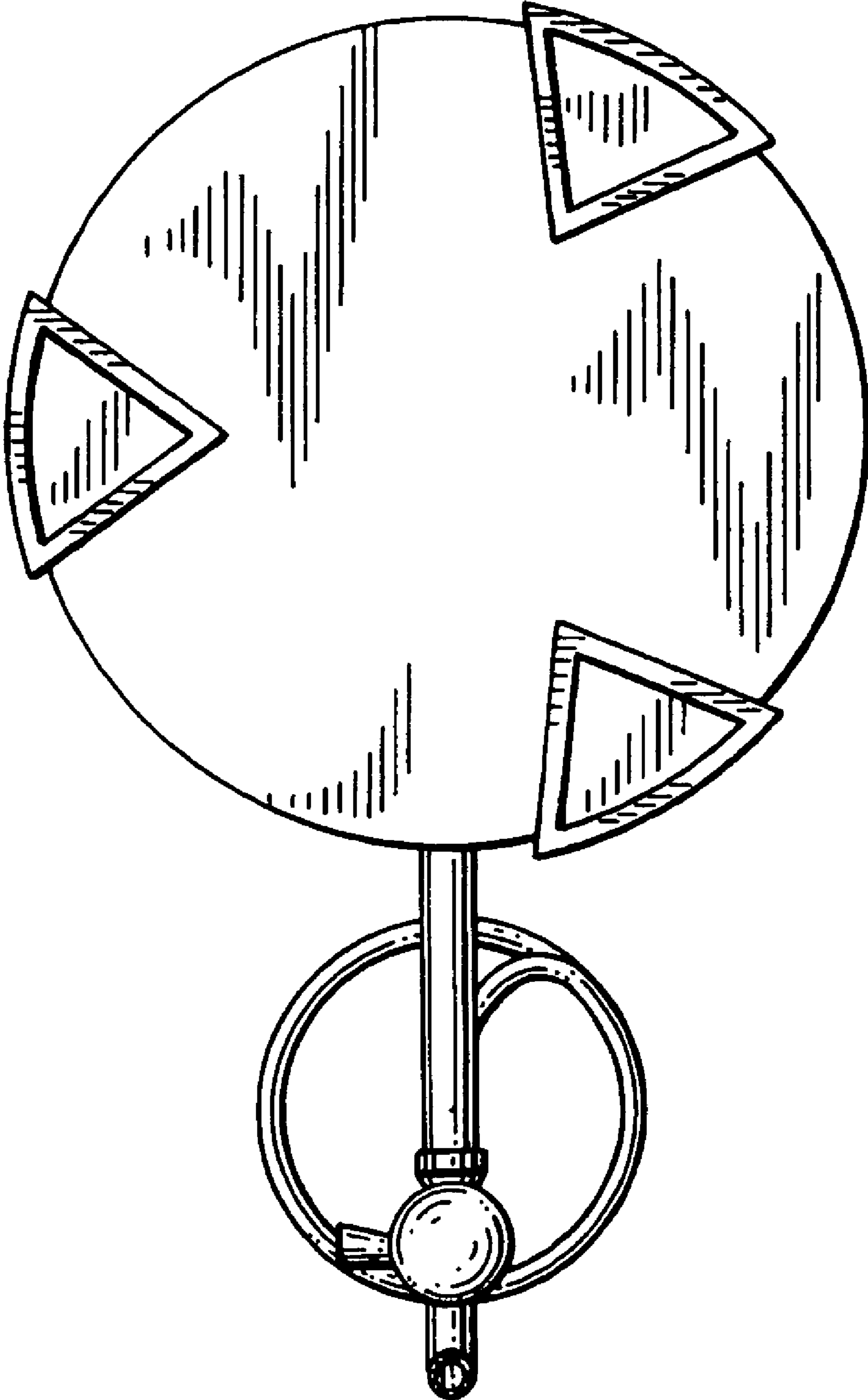


FIG. 6