



US00D591099S

(12) **United States Design Patent**
Bruce

(10) **Patent No.:** **US D591,099 S**
(45) **Date of Patent:** **** Apr. 28, 2009**

(54) **GAS CAN BEVERAGE DISPENSER**

(57) **CLAIM**

(75) Inventor: **Travis Bruce**, Brooklyn, NY (US)

The ornamental design for a gas can beverage dispenser, as shown and described.

(73) Assignee: **Godinger Silver Art Co., Ltd.**,
Ridgewood, NY (US)

DESCRIPTION

(**) Term: **14 Years**

FIG. 1 shows a top perspective view of one embodiment of the invention;

(21) Appl. No.: **29/310,799**

FIG. 2 shows a top view thereof;

(22) Filed: **Sep. 11, 2008**

FIG. 3 shows a front view thereof;

(51) **LOC (9) Cl.** **07-01**

FIG. 4 shows a left-side view thereof;

(52) **U.S. Cl.** **D7/301; D7/515**

FIG. 5 shows a right-side view thereof;

(58) **Field of Classification Search** D7/300,
D7/301, 306, 313, 515, 510, 511; D30/121;
D24/113, 117, 128, 197; 222/416, 464.1;
215/11.1; 119/52.1; D23/211.2

FIG. 6 shows a rear view thereof;

See application file for complete search history.

FIG. 7 shows a bottom view thereof;

FIG. 8 shows a top perspective view of another embodiment of the present invention;

(56) **References Cited**

FIG. 9 shows a top view of the embodiment of FIG. 8;

U.S. PATENT DOCUMENTS

FIG. 10 shows a front view of the embodiment of FIG. 8;

3,065,873	A *	11/1962	Plate	215/11.1
3,165,241	A *	1/1965	Curry	222/490
D260,432	S *	8/1981	Kadar	D24/113
4,773,898	A *	9/1988	Begouen	604/79
D313,848	S *	1/1991	Corso	D24/197
D332,657	S *	1/1993	Bamford	D24/117
6,142,100	A *	11/2000	Marchioro	119/54
D476,451	S *	6/2003	Morgan, Sr.	D30/121
D492,877	S *	7/2004	Weseman	D7/301
7,024,201	B2 *	4/2006	Tomishima et al.	455/452.2
D546,615	S *	7/2007	Griffard	D7/332
D551,486	S *	9/2007	Ford	D7/301

FIG. 11 shows a left-side view of the embodiment of FIG. 8;

FIG. 12 shows a right-side view of the embodiment of FIG. 8;

FIG. 13 shows a rear view of the embodiment of FIG. 8;

FIG. 14 shows a bottom view of the embodiment of FIG. 8;

FIG. 15 shows a top perspective view of another embodiment of the present invention;

FIG. 16 shows a top view of the embodiment of FIG. 15;

FIG. 17 shows a front view of the embodiment of FIG. 15;

FIG. 18 shows a left-side view of the embodiment of FIG. 15;

FIG. 19 shows a right-side view of the embodiment of FIG. 15;

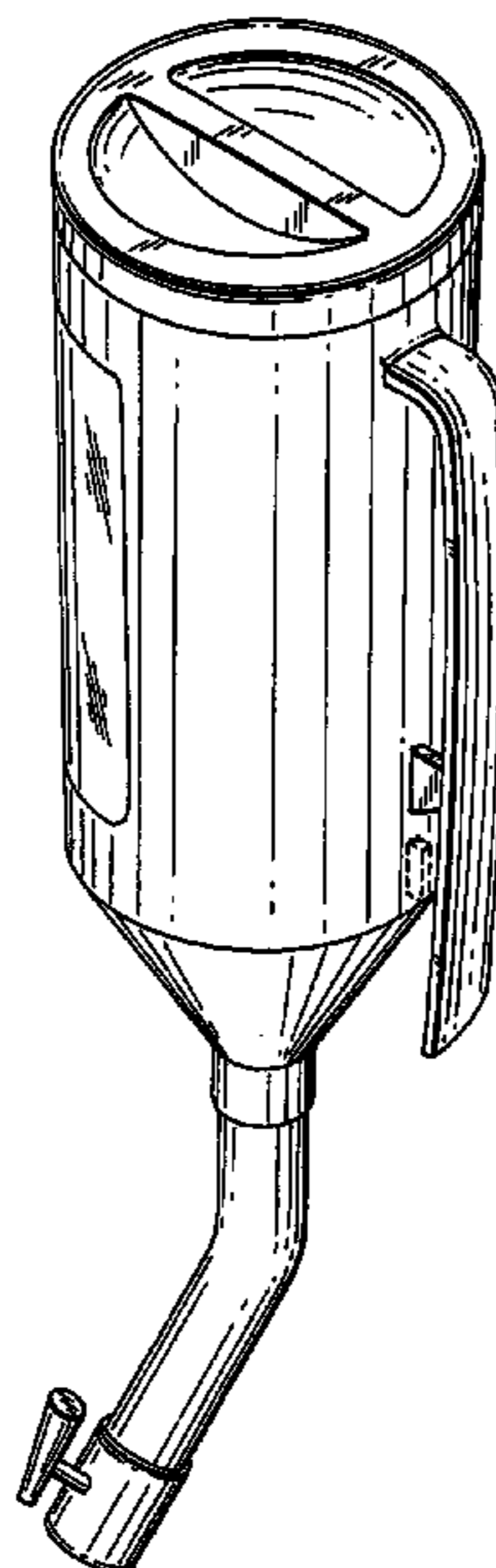
* cited by examiner

FIG. 20 shows a rear view of the embodiment of FIG. 15; and,

FIG. 21 shows a bottom view of the embodiment of FIG. 15.

Primary Examiner—Marianne Pandozzi
(74) *Attorney, Agent, or Firm*—Cohen Pontani Lieberman &
Pavane LLP

1 Claim, 18 Drawing Sheets



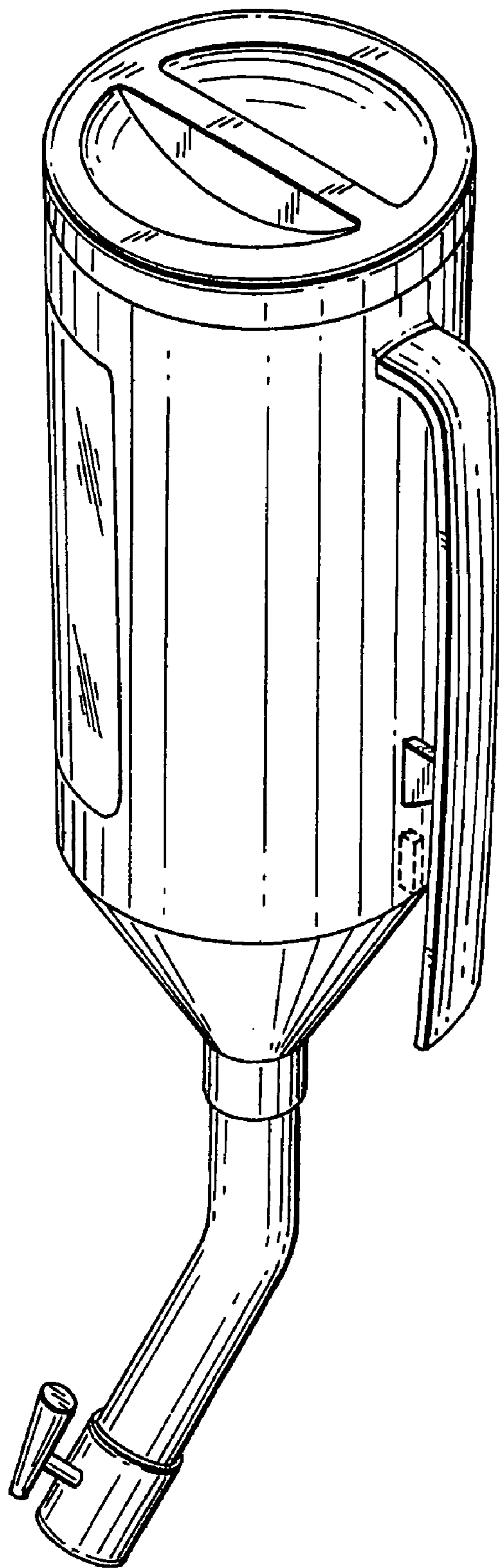


FIG. 1

FIG.2

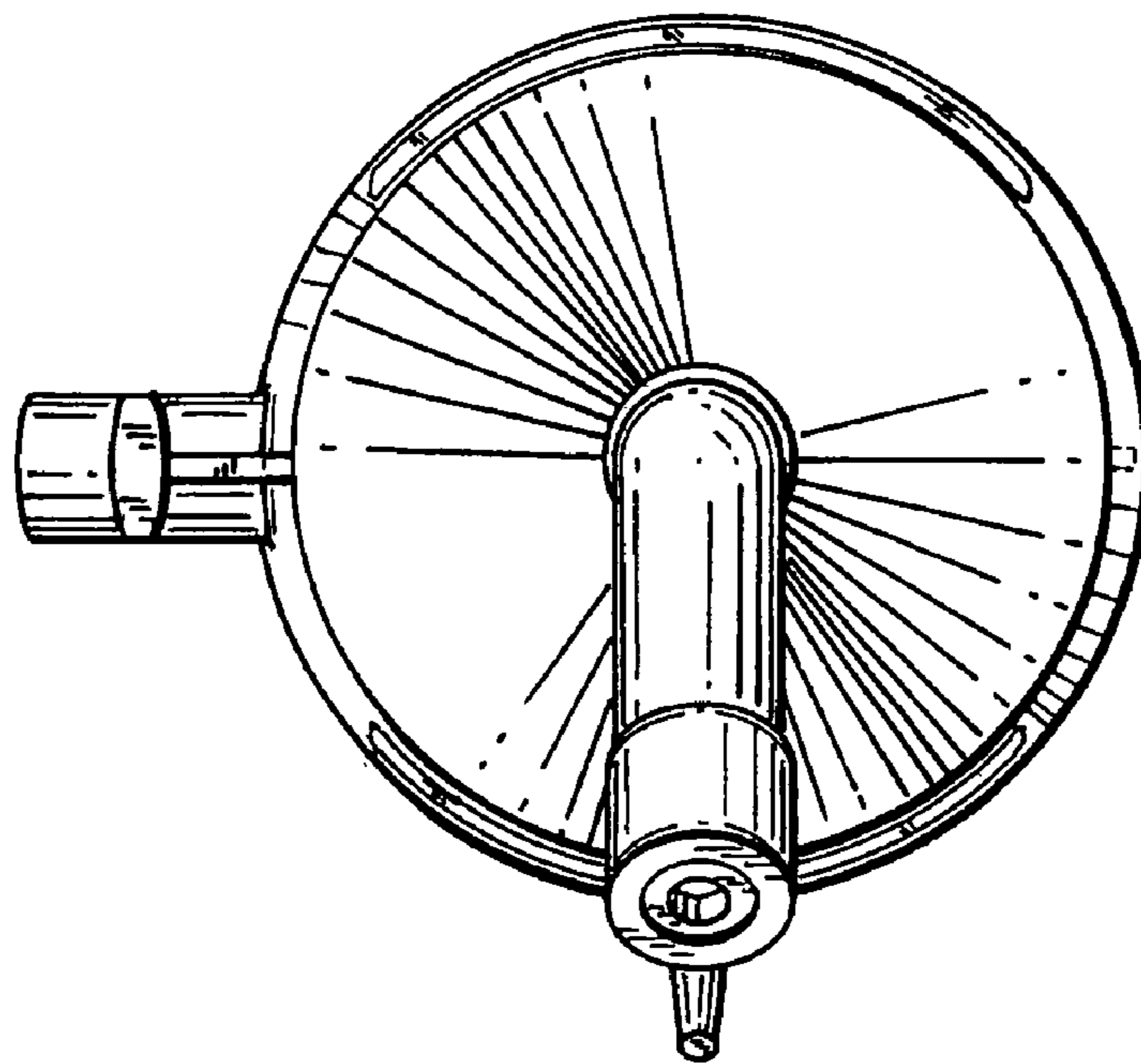
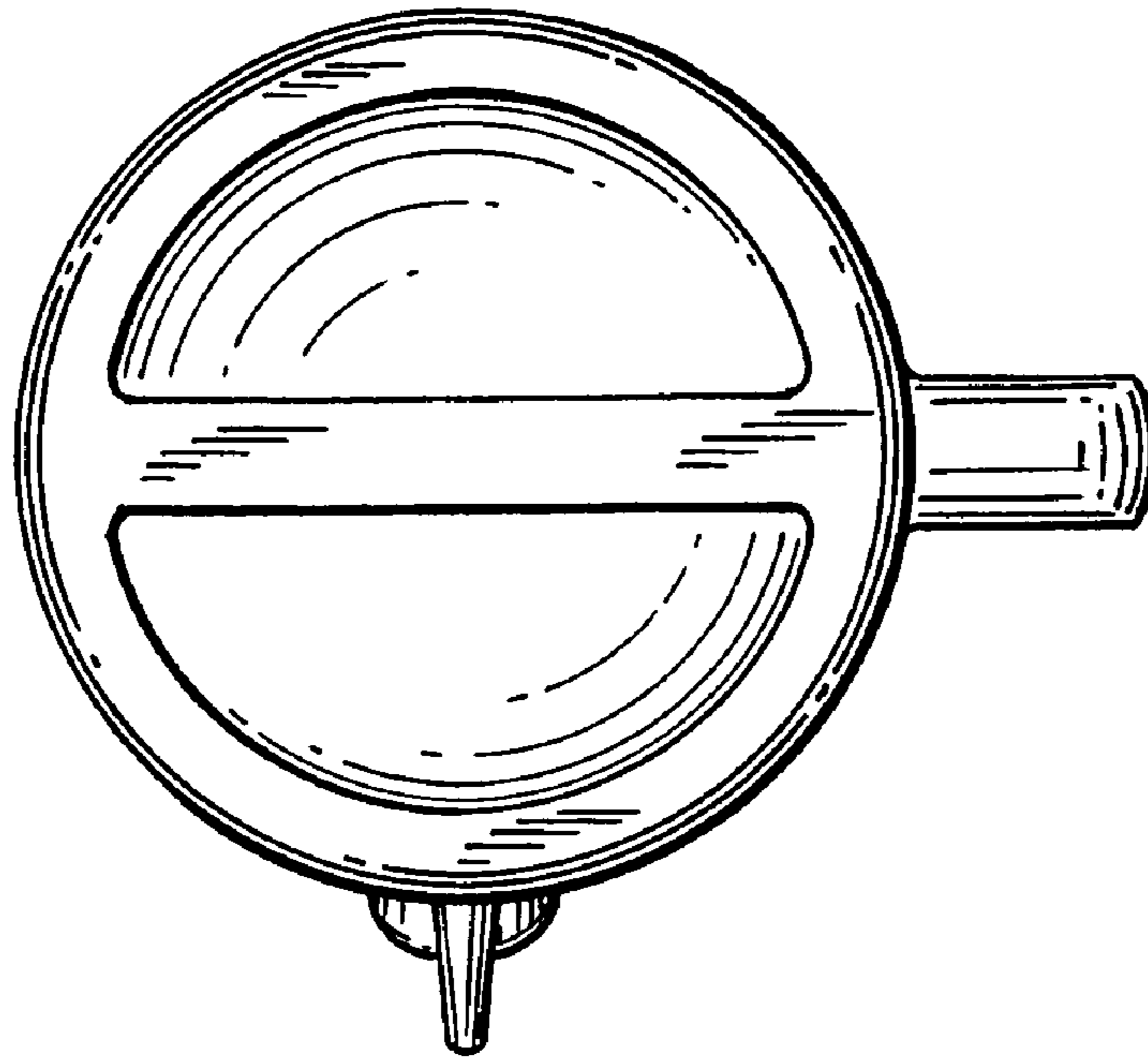


FIG.7

FIG.3

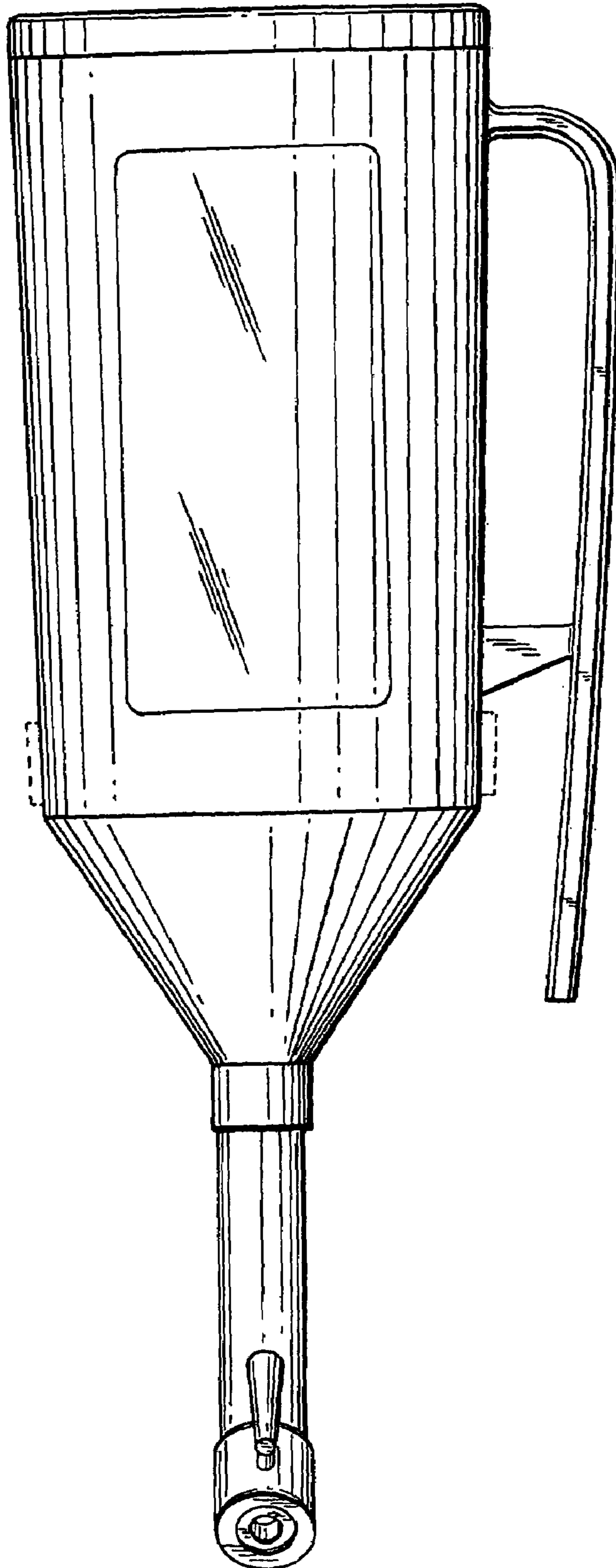


FIG.4

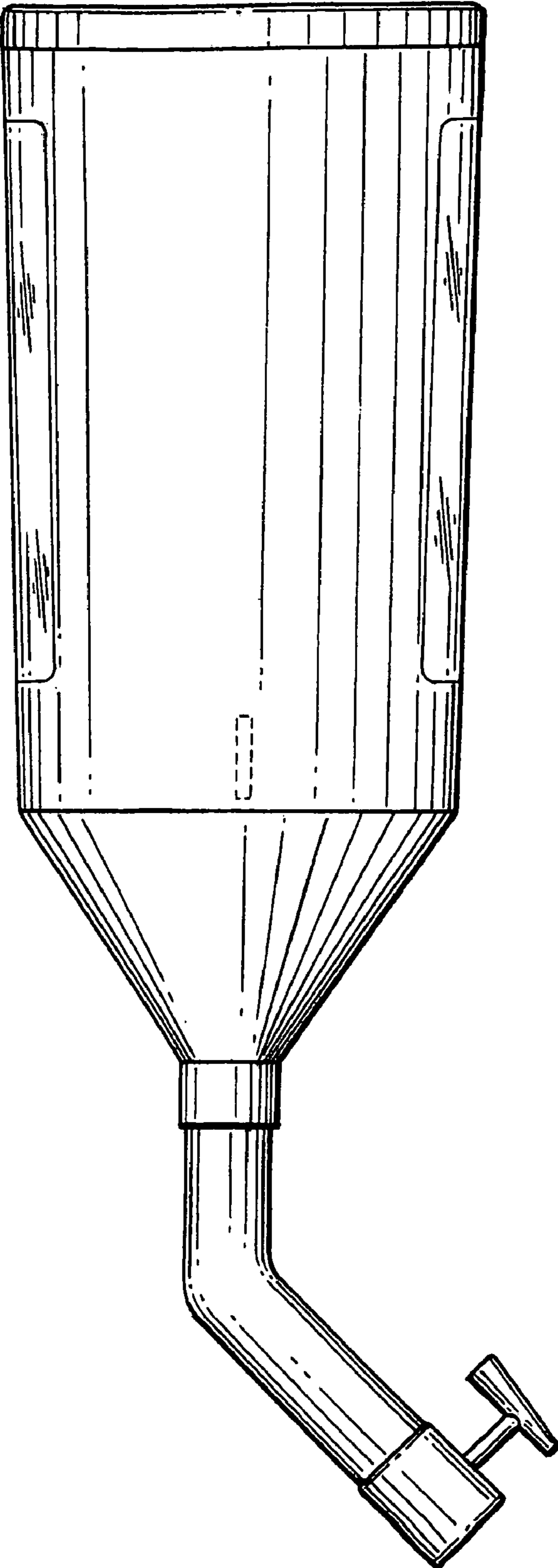


FIG.5

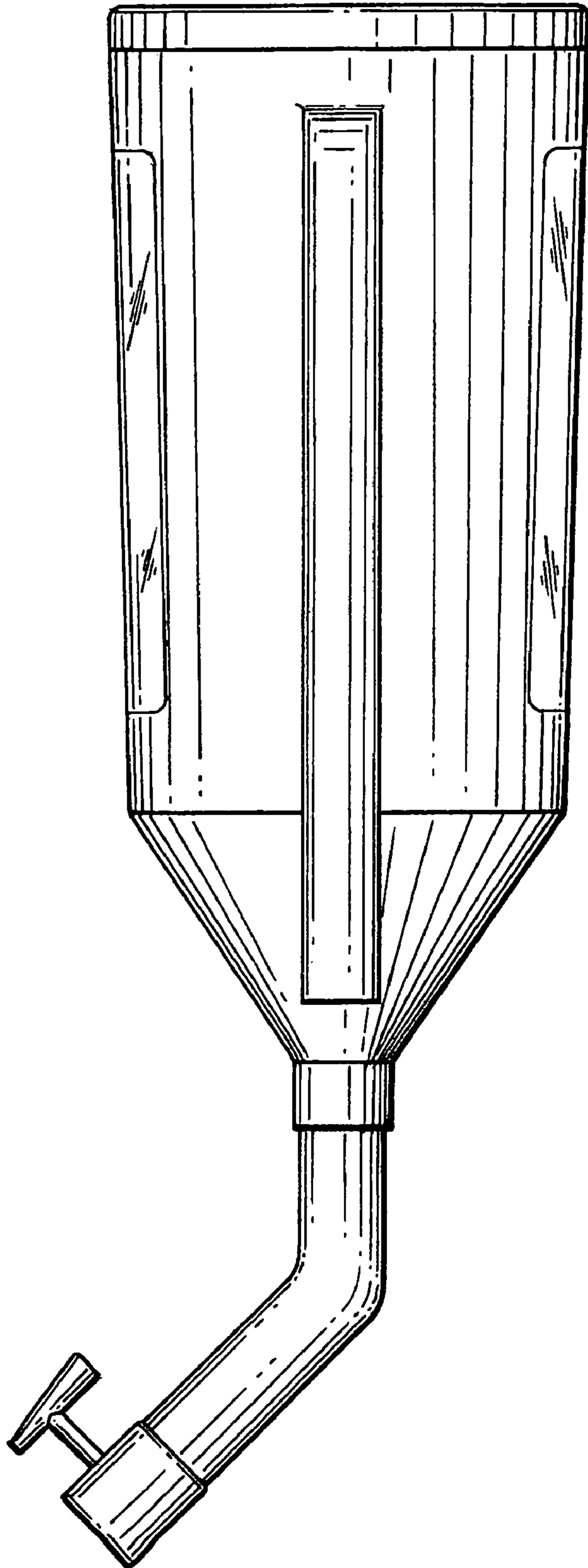
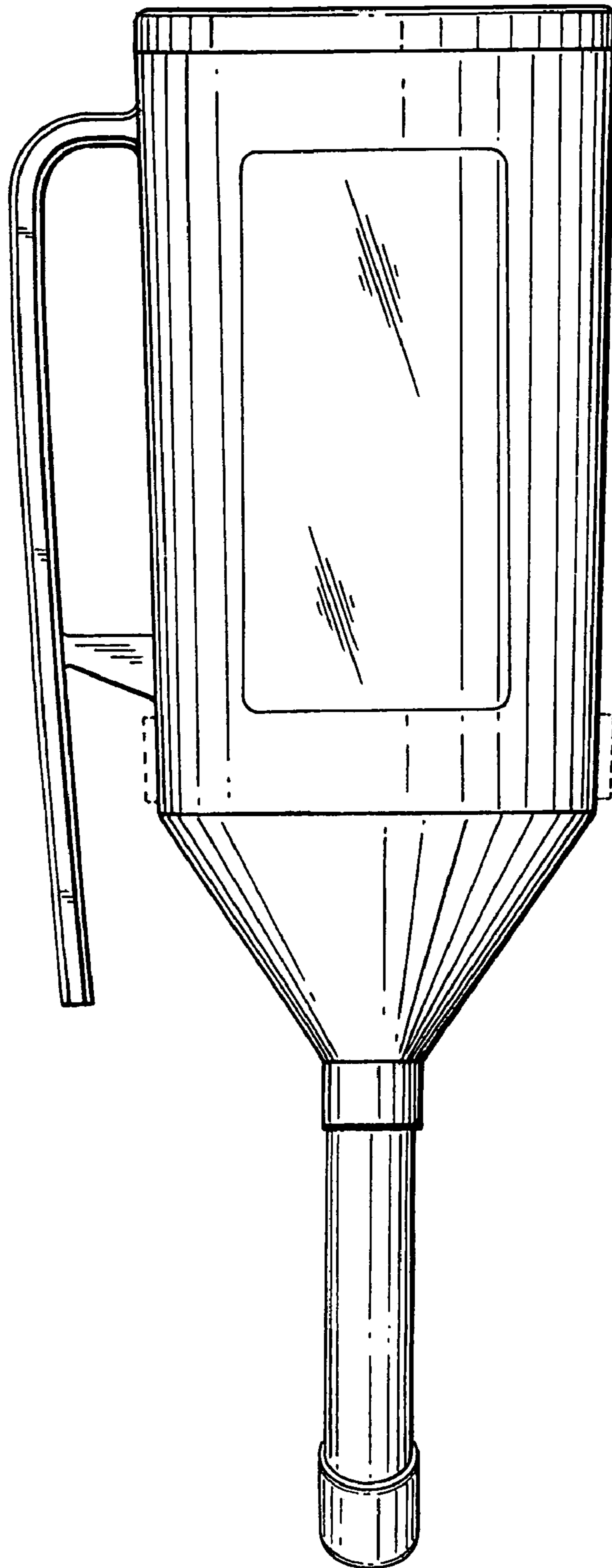


FIG. 6



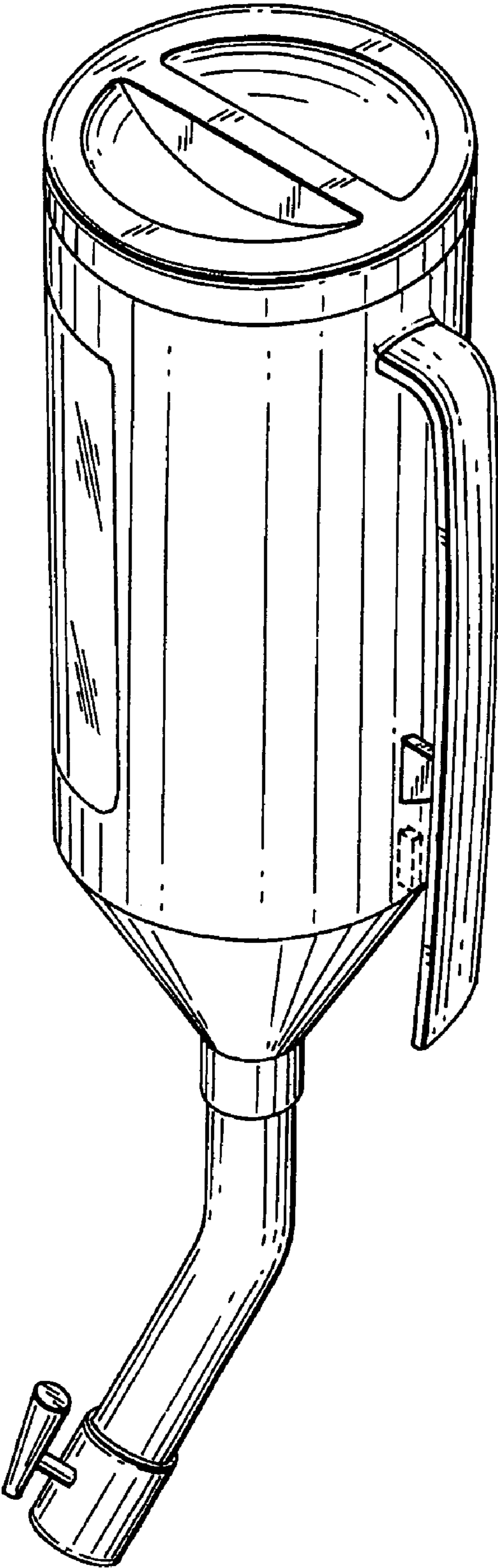


FIG. 8

FIG.9

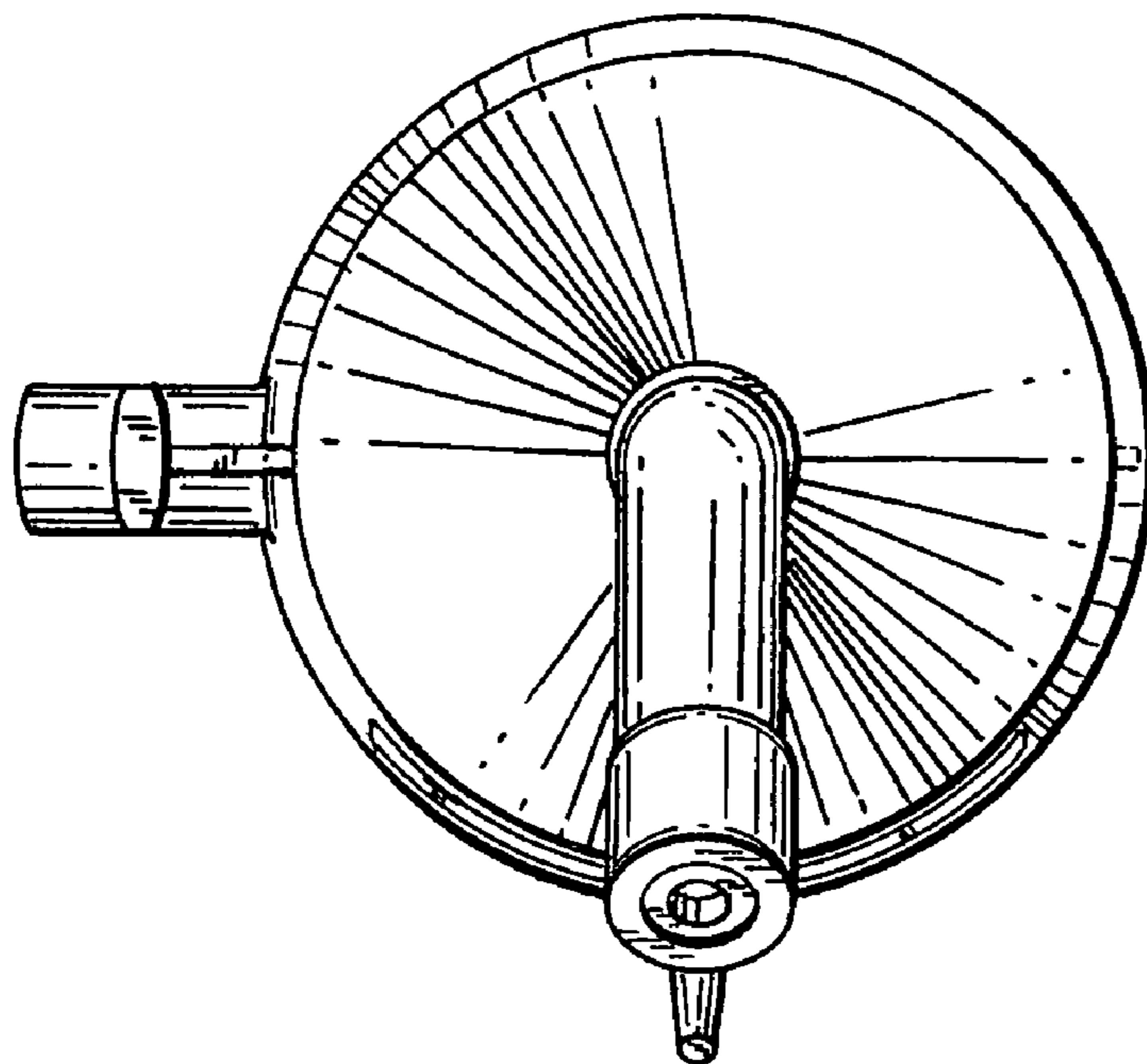
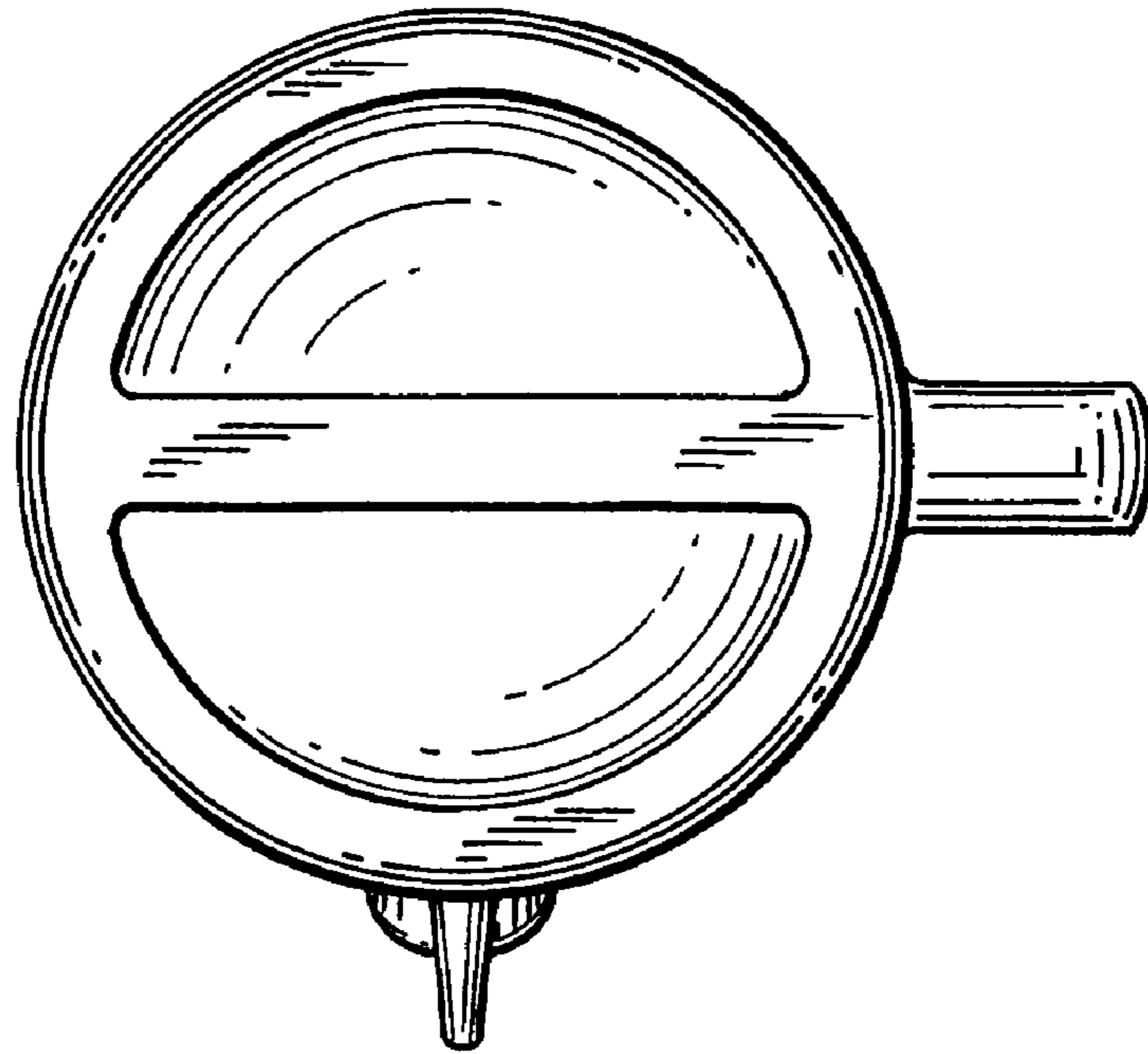


FIG.14

FIG. 10

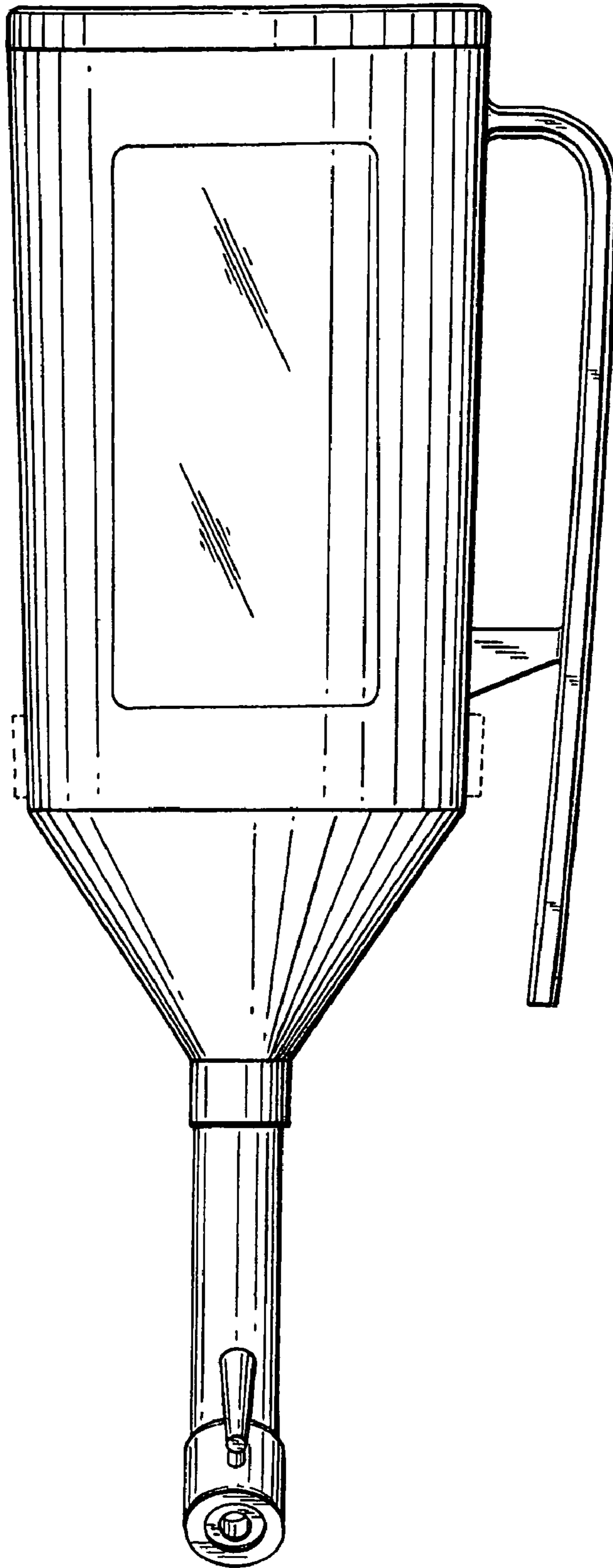
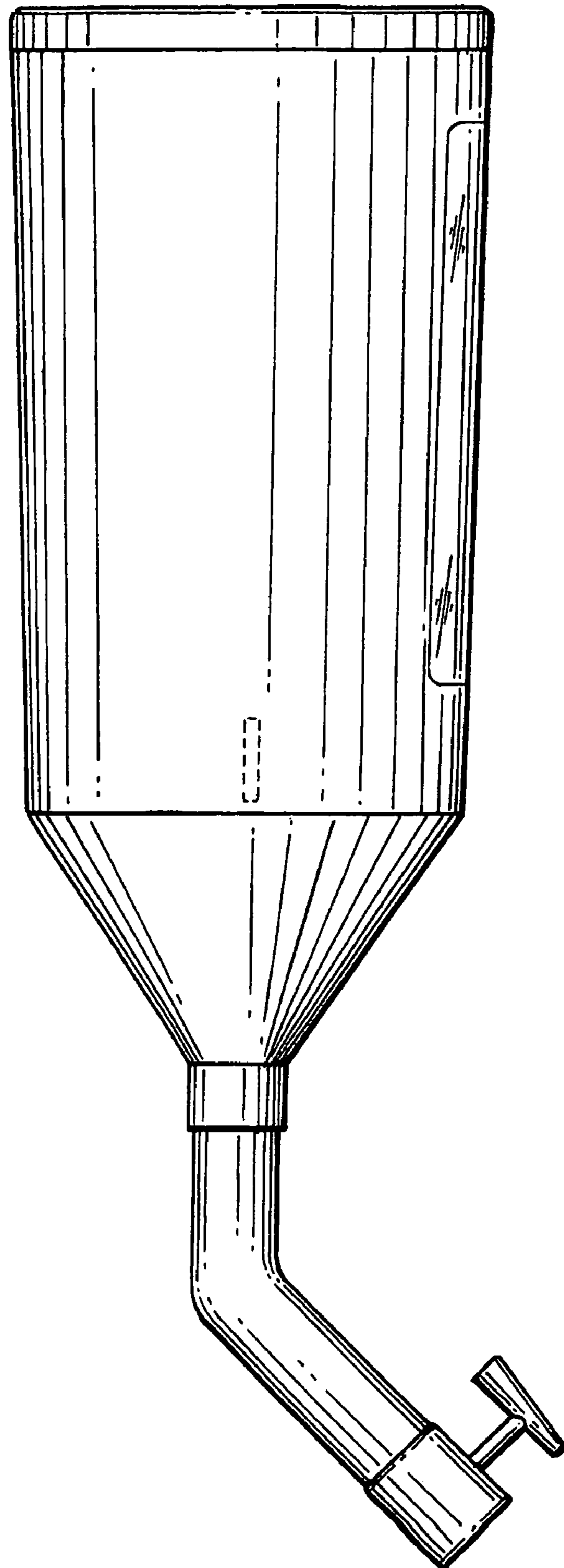


FIG. 11



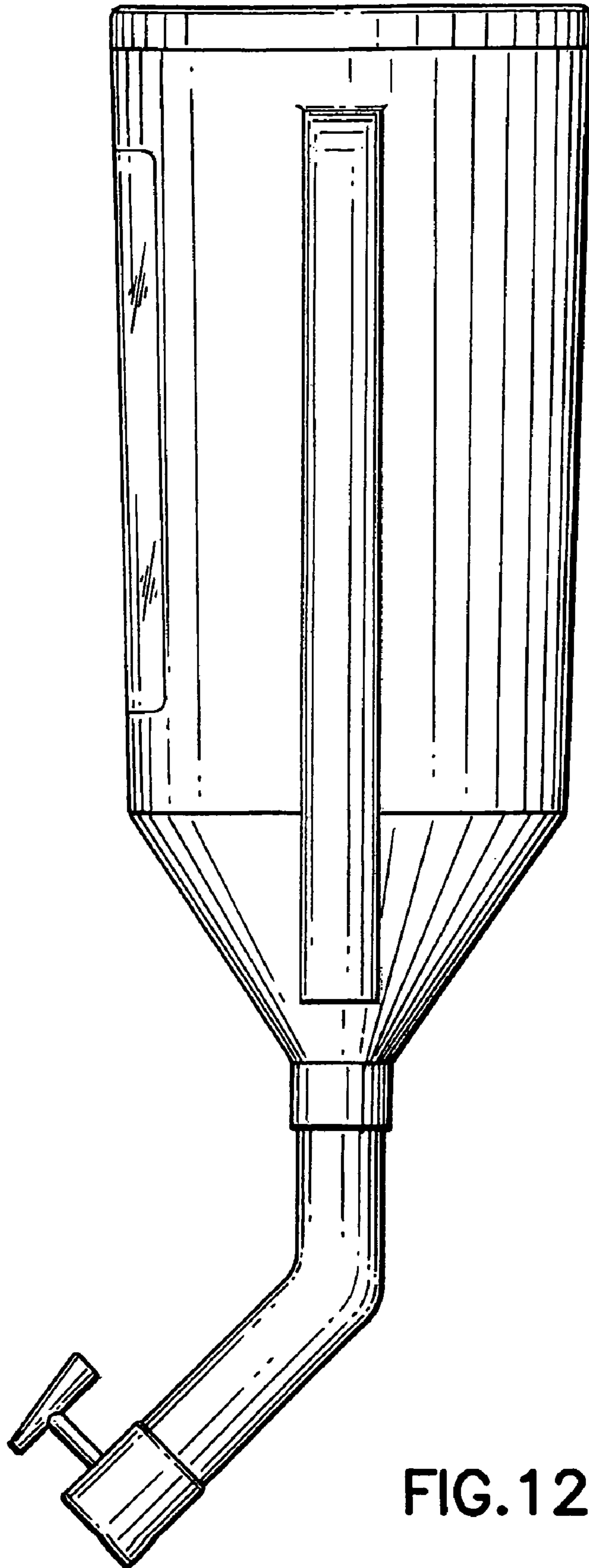


FIG. 12

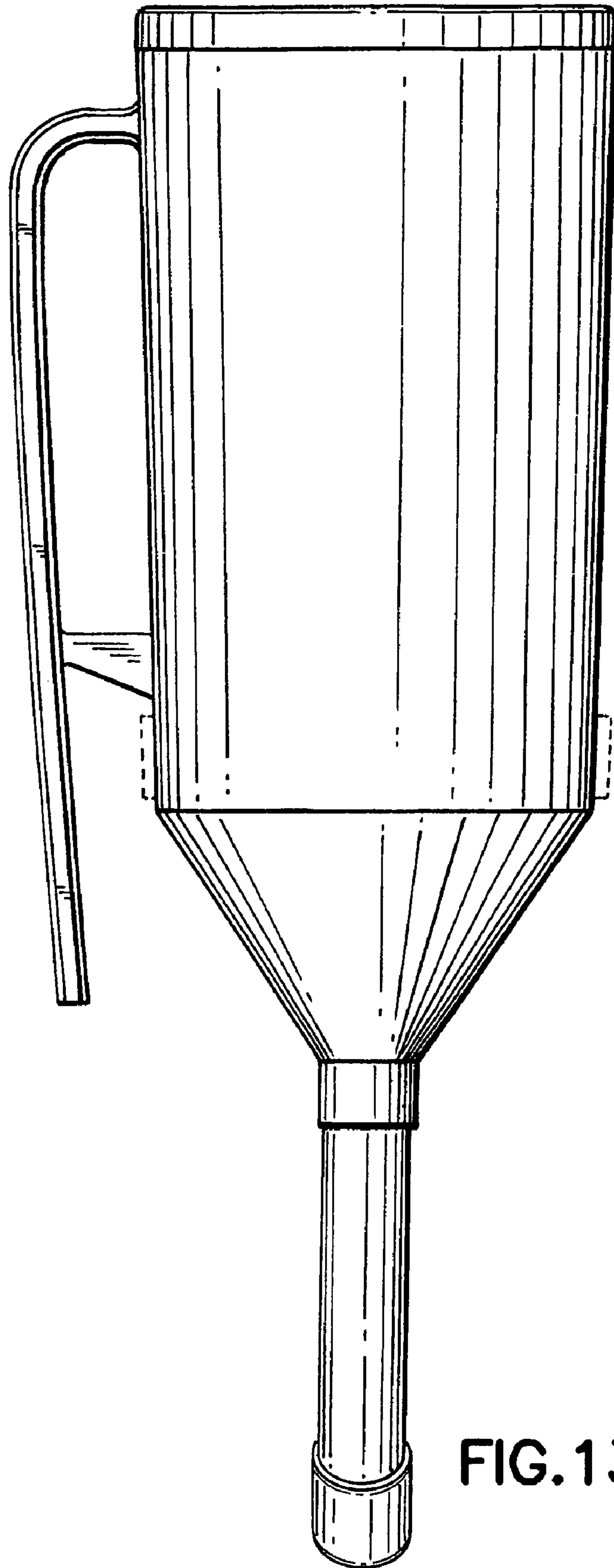


FIG. 13

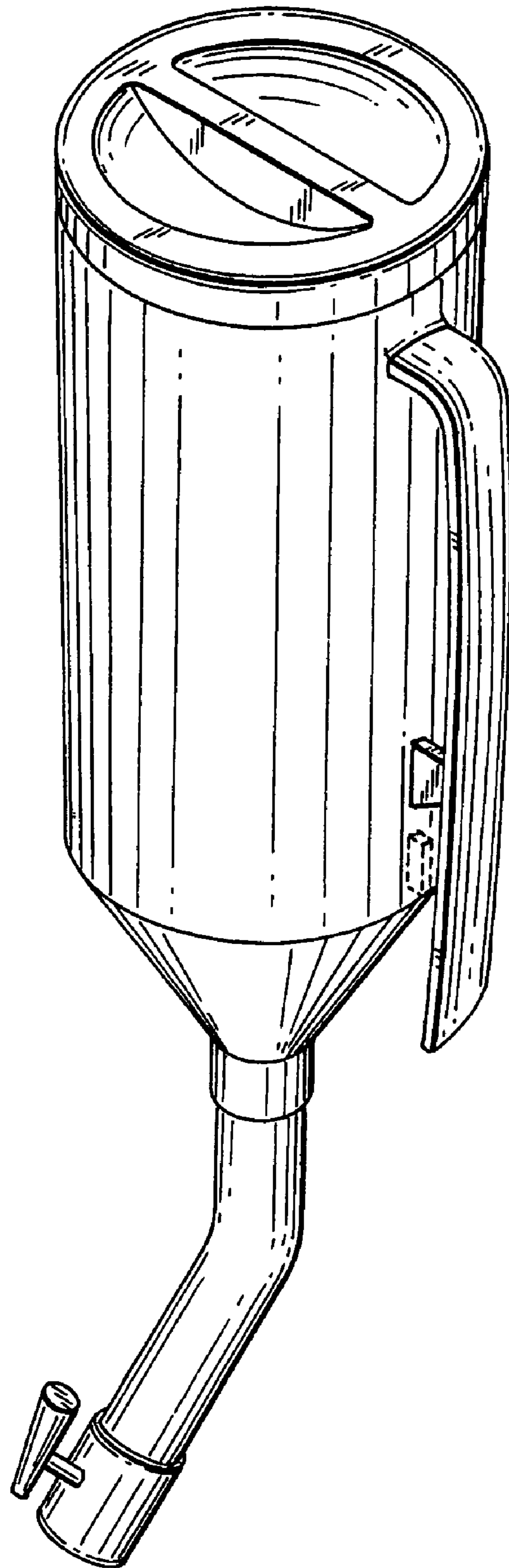


FIG. 15

FIG. 16

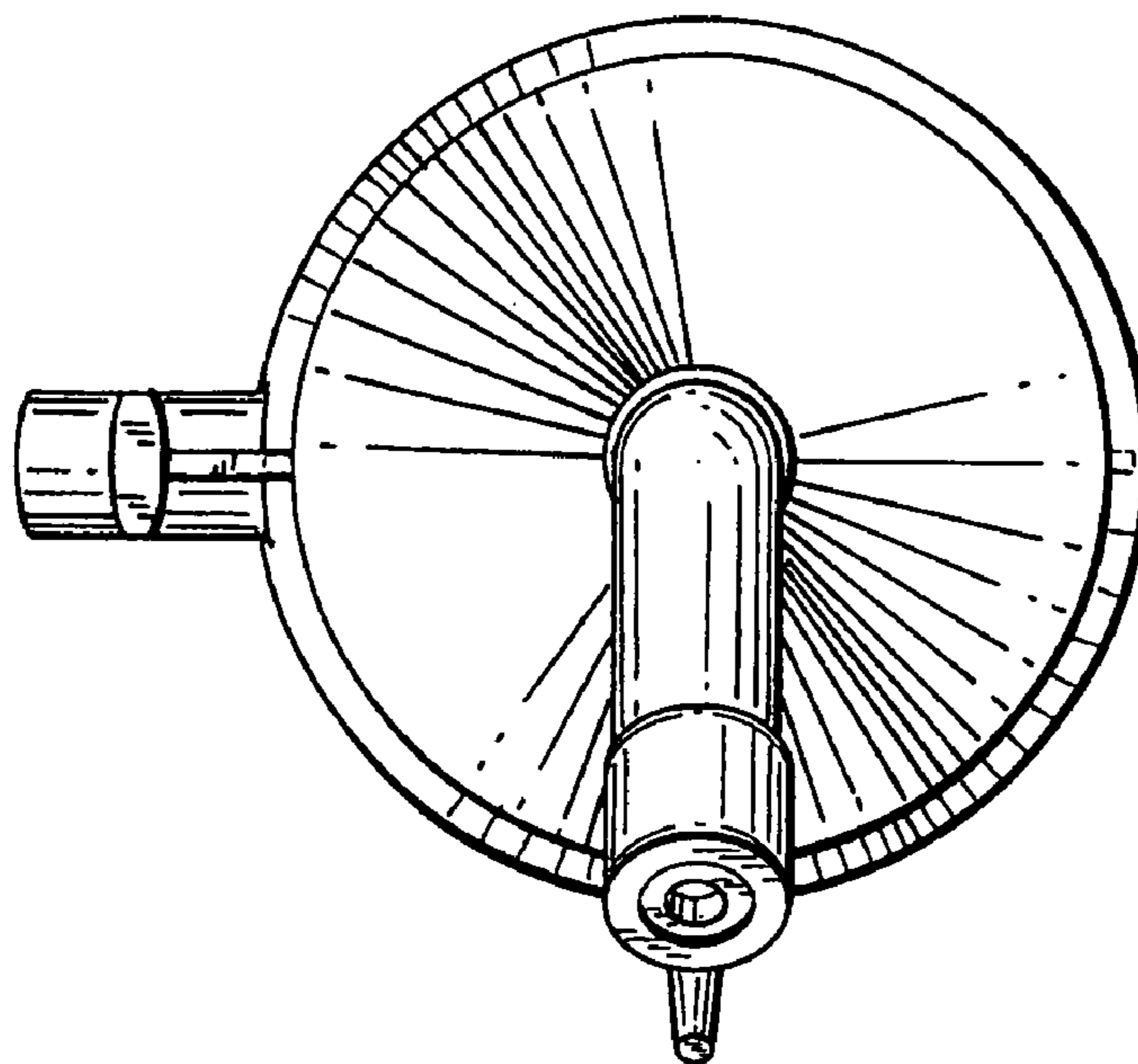
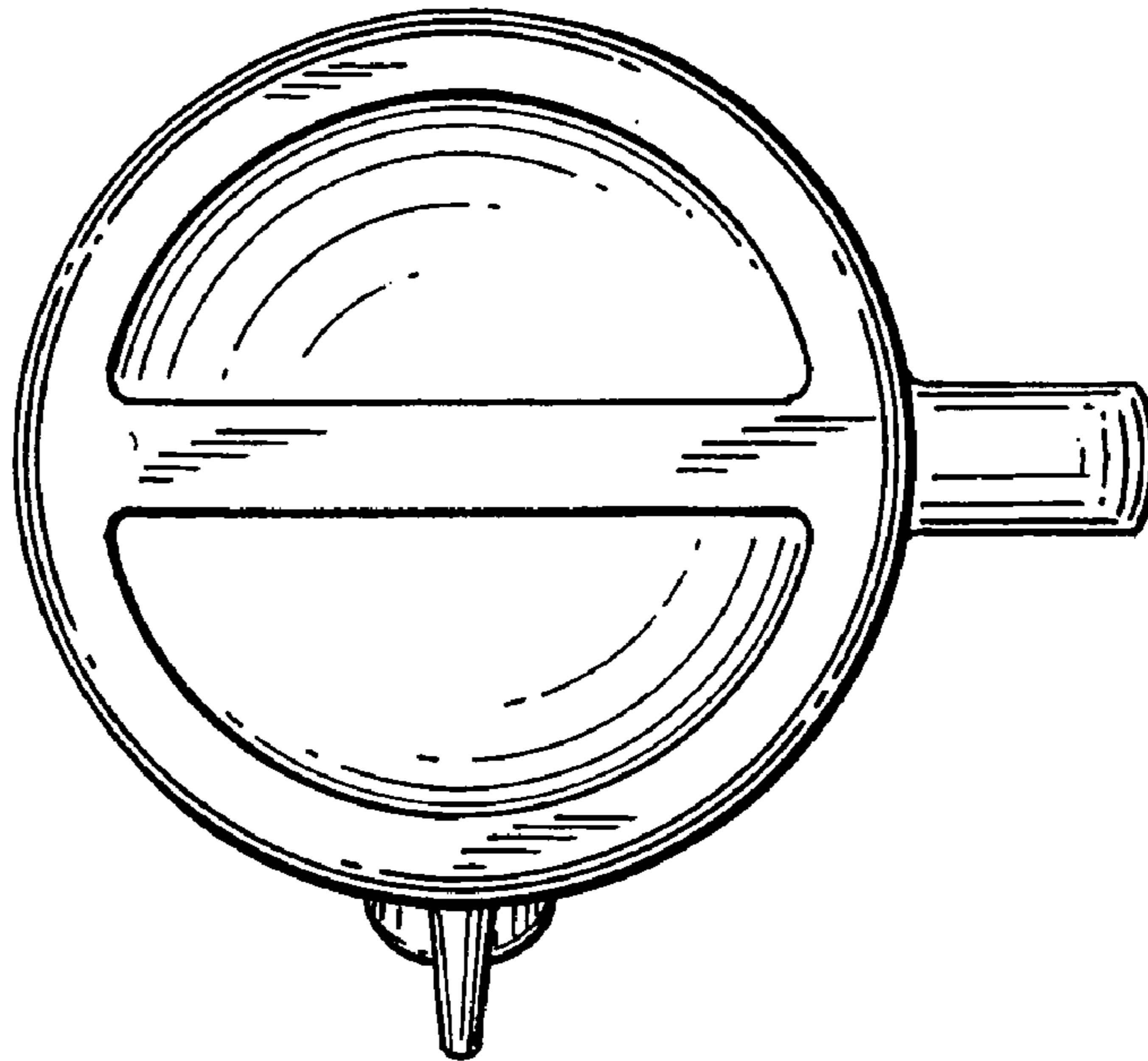


FIG. 21

FIG. 17

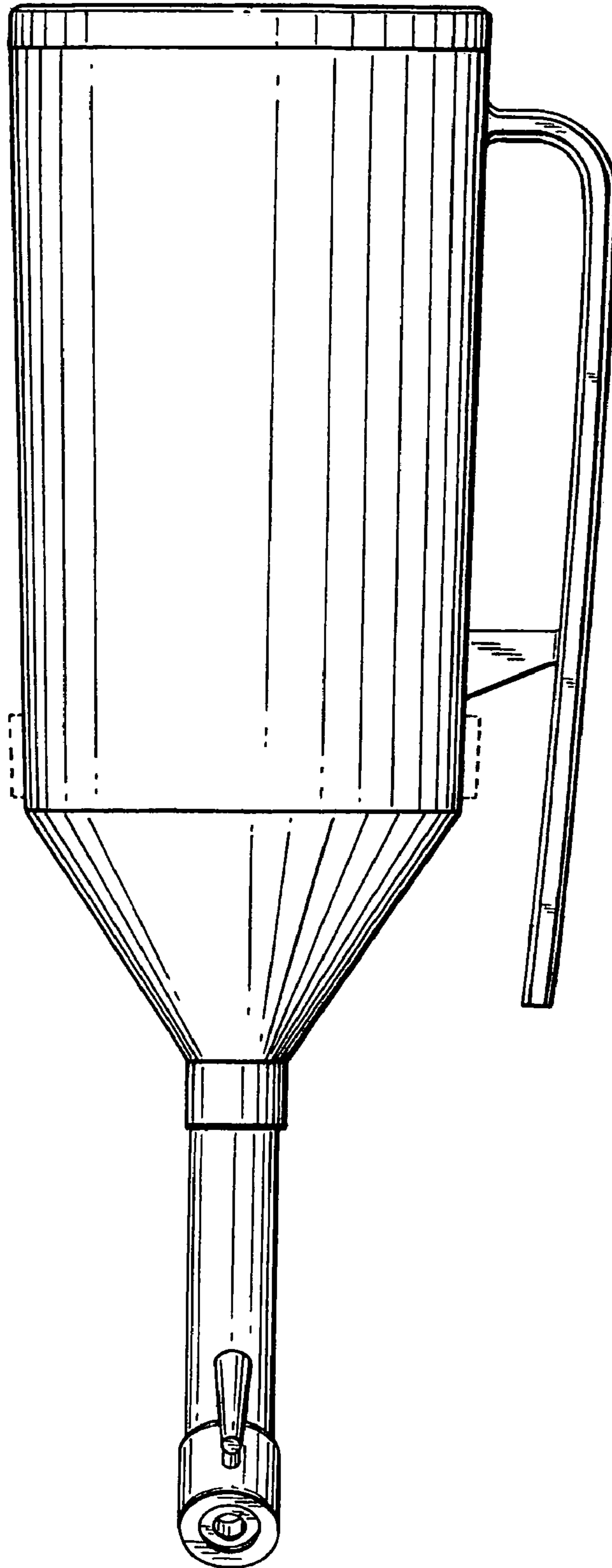


FIG. 18

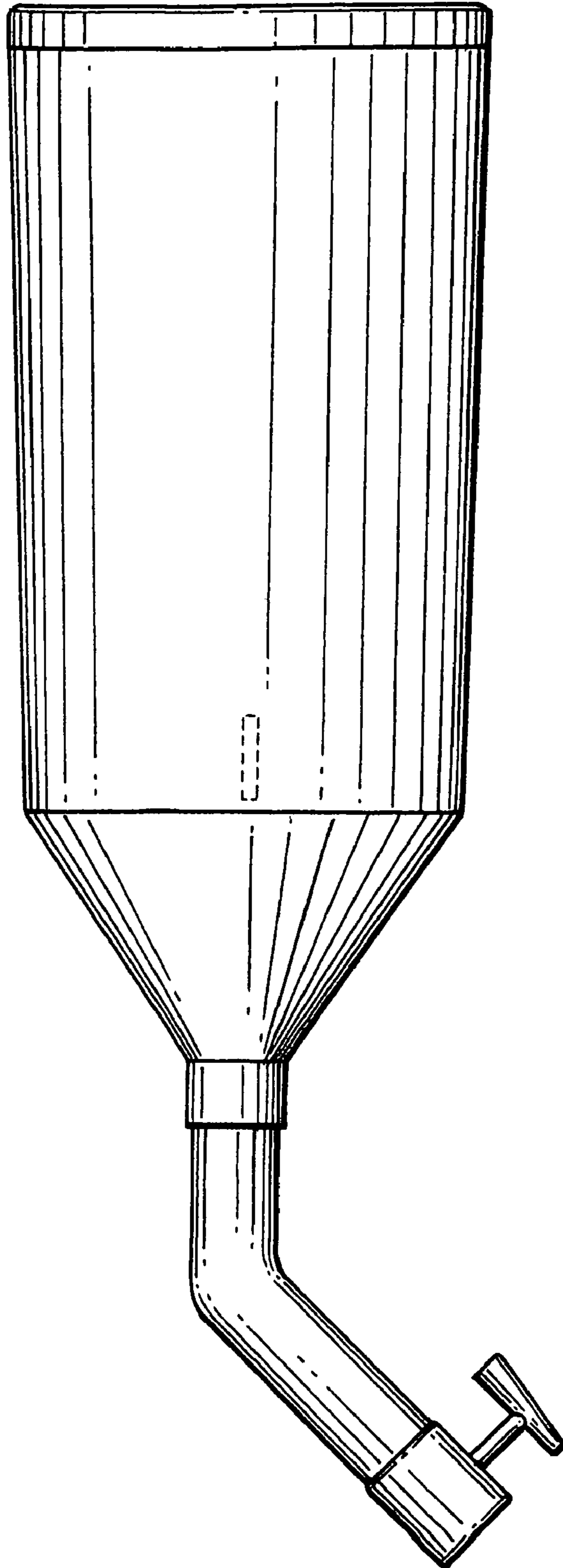


FIG. 19

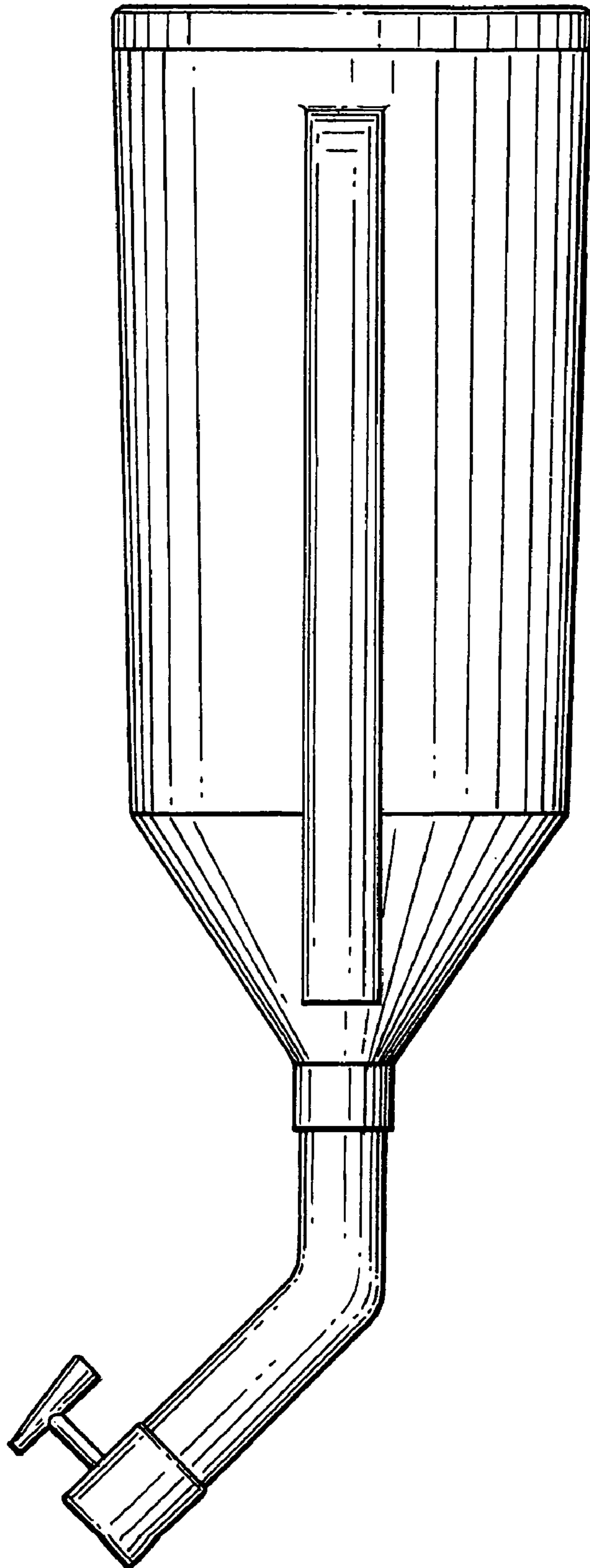


FIG.20

