

US00D591095S

(12) **United States Design Patent**
Zasloff

(10) **Patent No.:** **US D591,095 S**

(45) **Date of Patent:** **** Apr. 28, 2009**

(54) **SKATEBOARD SHELF**

D576,831 S * 9/2008 Zasloff D6/574

(76) Inventor: **David Zasloff**, 3170 N. Beachwood Dr.,
Los Angeles, CA (US) 90068

* cited by examiner

Primary Examiner—Brian N Vinson

(**) Term: **14 Years**

(74) *Attorney, Agent, or Firm*—St. Onge Steward Johnston &
Reens LLC

(21) Appl. No.: **29/320,879**

(57) **CLAIM**

(22) Filed: **Jul. 7, 2008**

The ornamental design for a skateboard shelf, as shown and
described.

(51) **LOC (9) Cl.** **06-04**

(52) **U.S. Cl.** **D6/574**

(58) **Field of Classification Search** D6/553,
D6/567, 572, 574; 108/28–29; 248/235,
248/309.1; 211/13.1, 42, 71.01, 86.01, 88.01,
211/88.03, 90.01, 90.03, 126.1, 133.5, 134,
211/153, 182

DESCRIPTION

See application file for complete search history.

FIG. 1 is a front perspective view of a skateboard shelf in
accordance with my new design;

FIG. 2 is a front view thereof;

FIG. 3 is a rear view thereof;

FIG. 4 is a top view thereof;

FIG. 5 is a bottom view thereof;

FIG. 6 is a left side view thereof; and,

FIG. 7 is a right side view thereof.

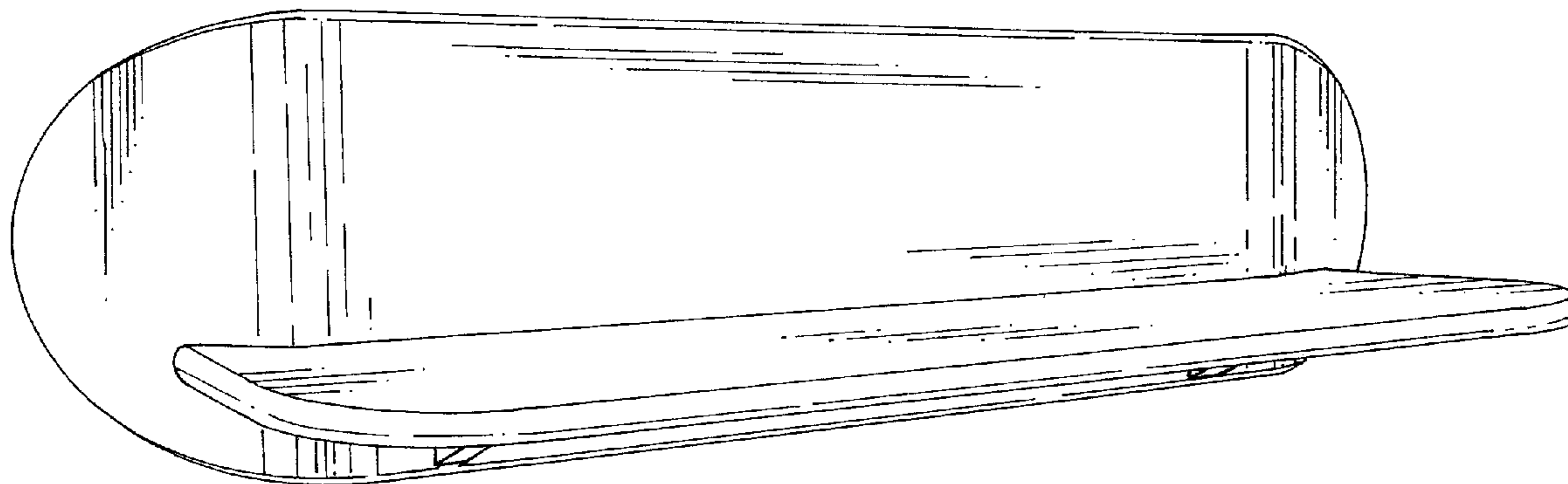
(56) **References Cited**

U.S. PATENT DOCUMENTS

D438,044 S *	2/2001	Mahlmann	D6/574
D501,621 S *	2/2005	Ayers et al.	D6/574
D509,393 S *	9/2005	Winig et al.	D6/574
D520,288 S *	5/2006	Grosfillex	D6/574
D520,795 S *	5/2006	Kivett	D6/574

The broken lines shown are included for the purpose of illus-
tration and form no part of the claimed design.

1 Claim, 4 Drawing Sheets



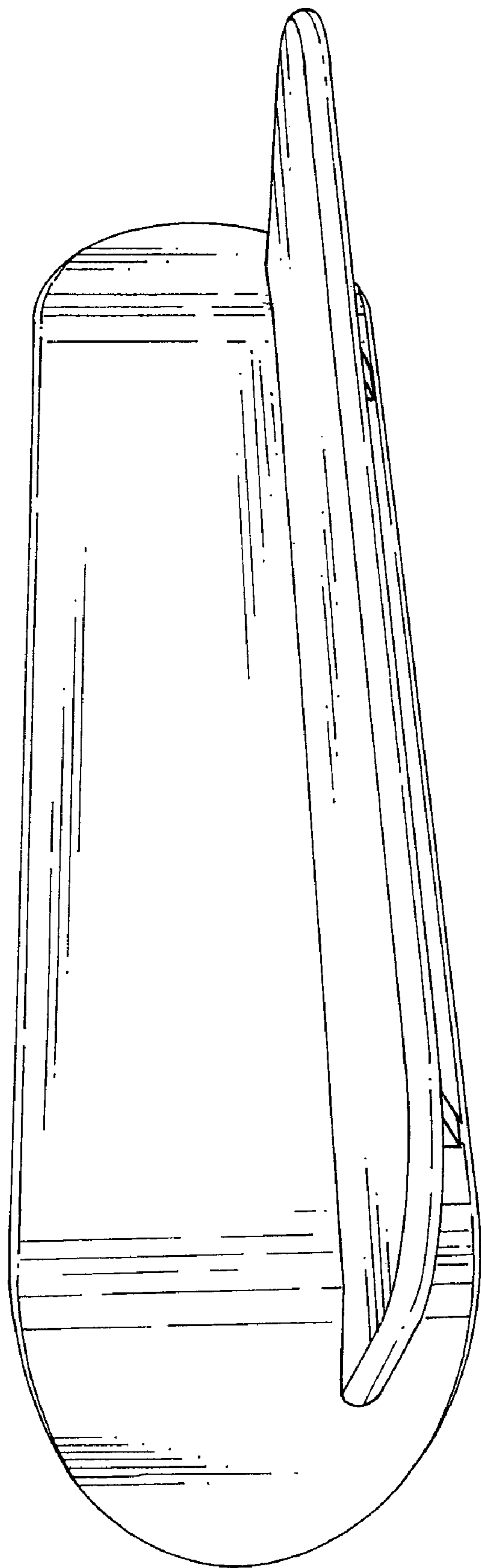


FIG. 1

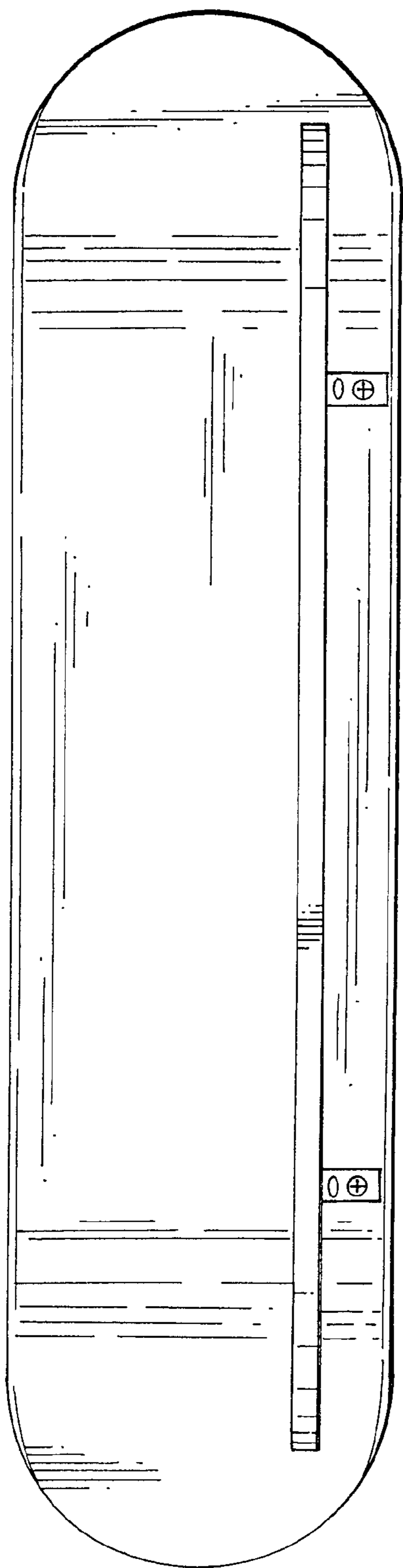


FIG. 2

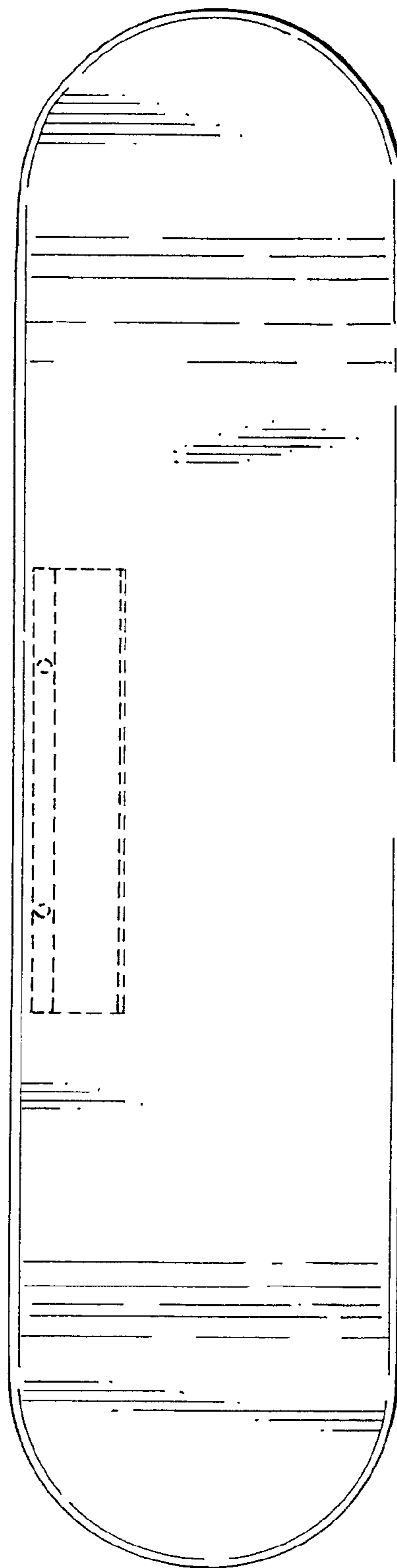


FIG. 3

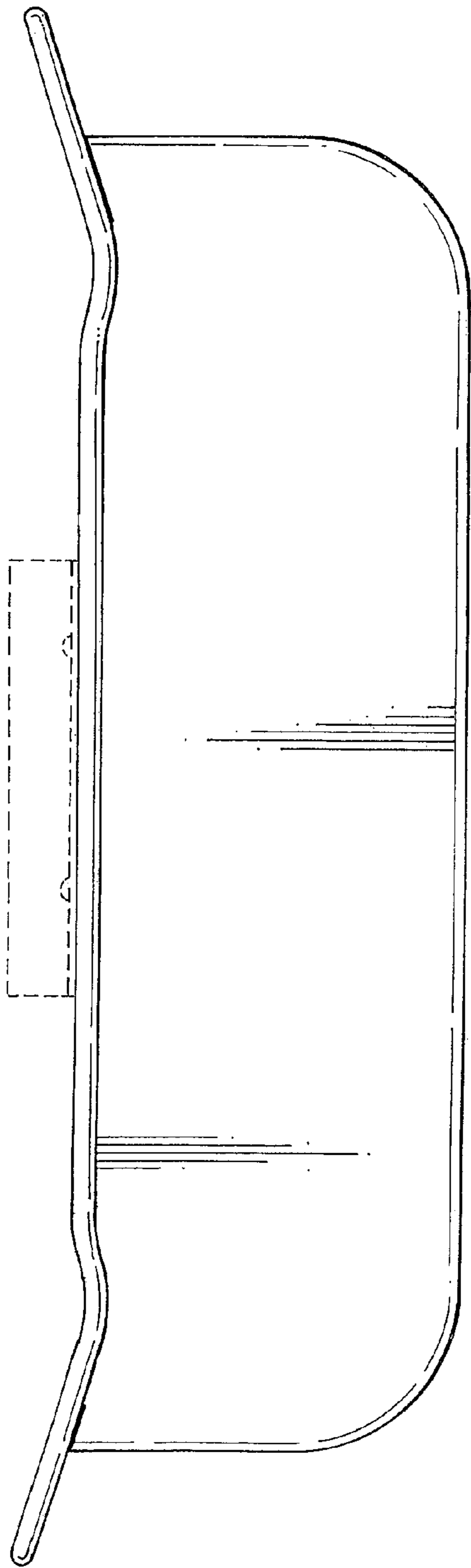


FIG. 4

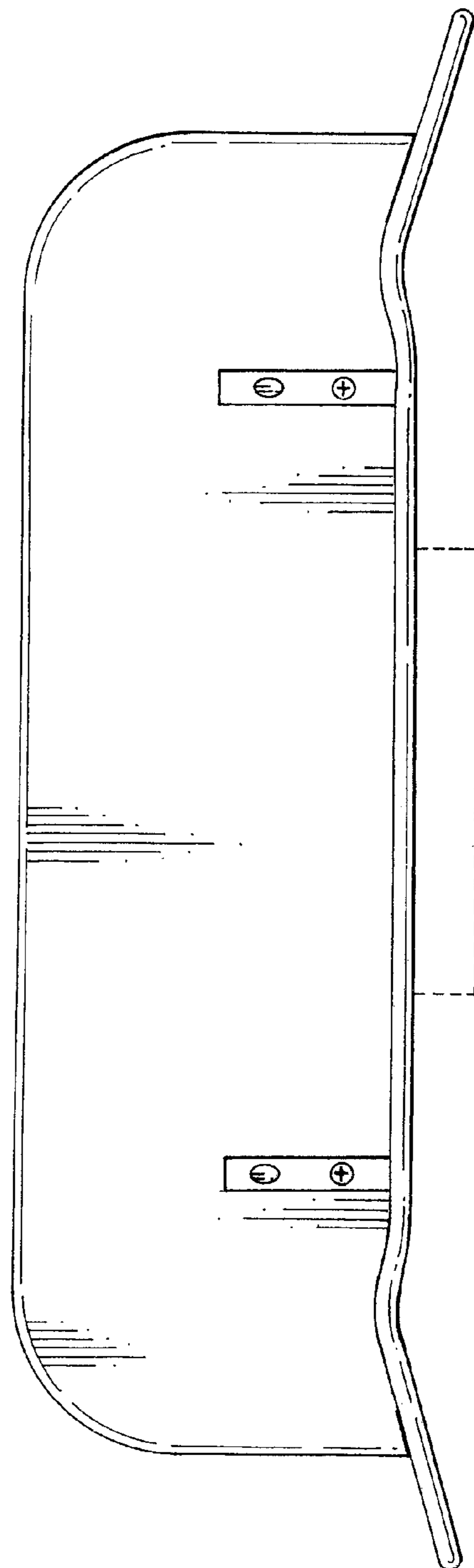


FIG. 5

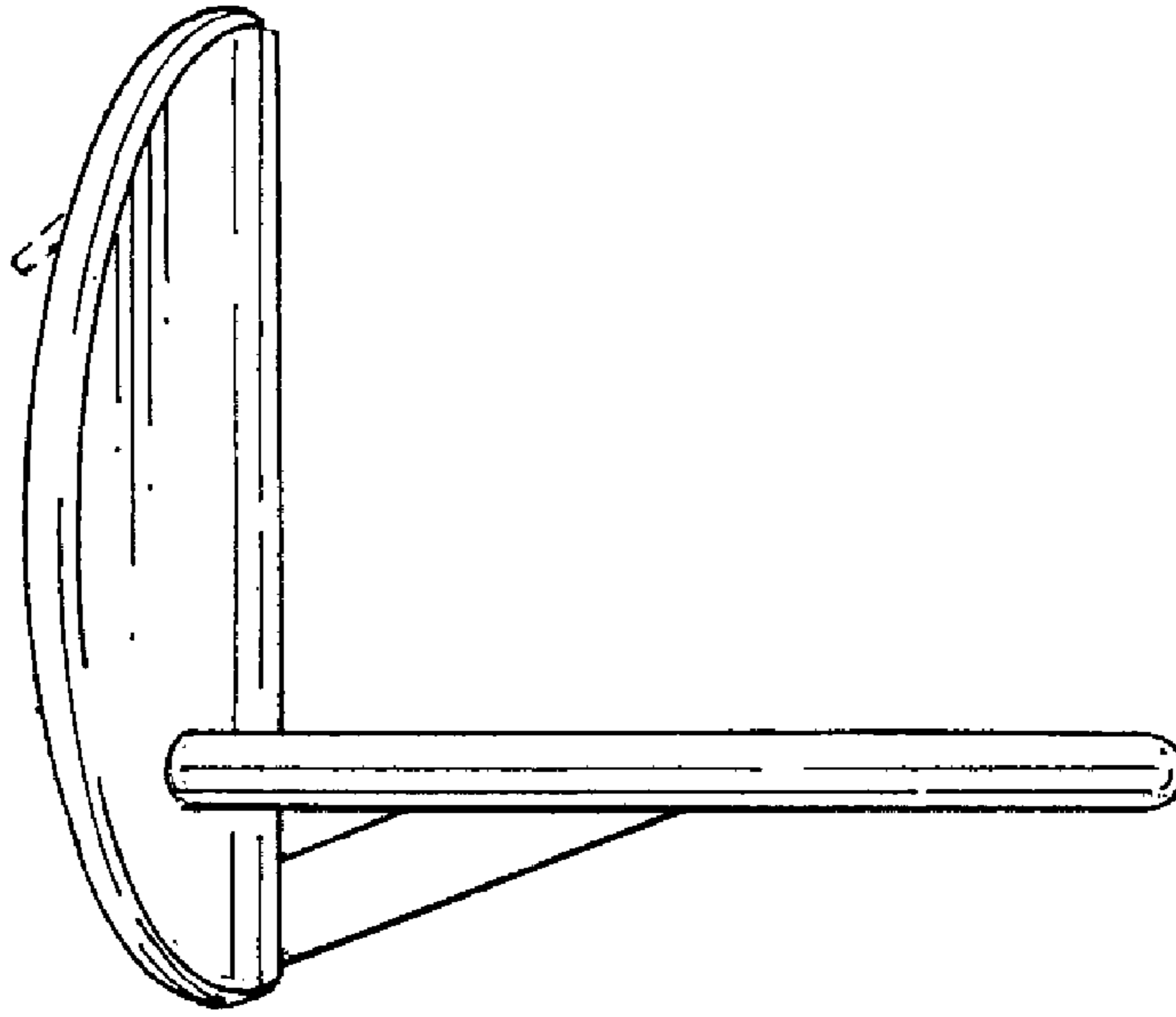


FIG. 6

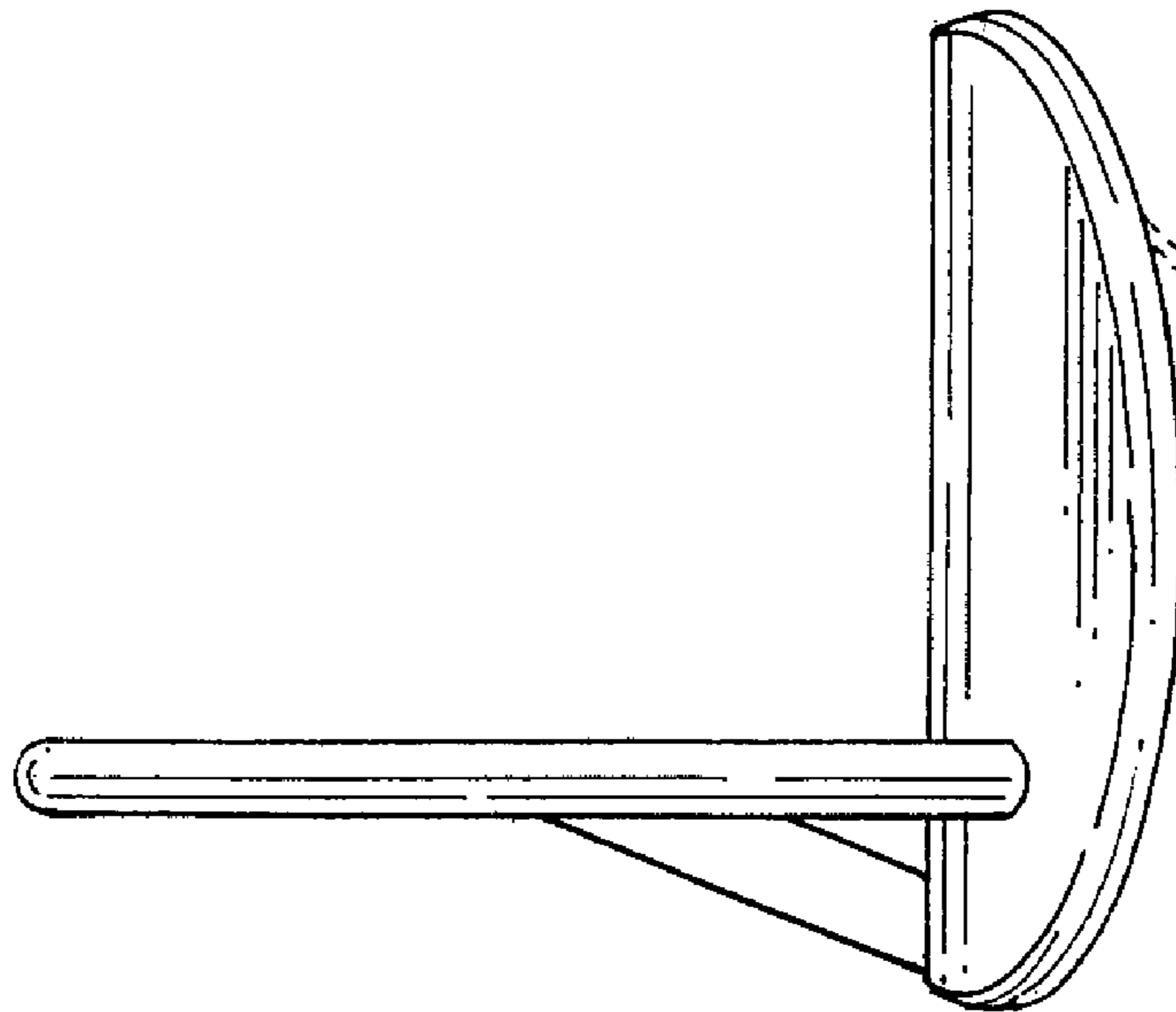


FIG. 7