



US00D591091S

(12) **United States Design Patent**  
**Daino et al.**

(10) **Patent No.:** **US D591,091 S**  
(45) **Date of Patent:** **\*\* Apr. 28, 2009**

(54) **WORK BENCH**

(75) Inventors: **Franco Fabio Daino**, Muskego, WI (US); **Steven Frederick Kohagen**, Waverly, IA (US); **Matthew J. Sallee**, Hudson, IA (US); **Bradley M. White**, Cedar Falls, IA (US)

(73) Assignee: **Master Lock Company LLC**, Oak Creek, WI (US)

(\*\*) Term: **14 Years**

(21) Appl. No.: **29/297,751**

(22) Filed: **Nov. 16, 2007**

(51) **LOC (9) Cl.** ..... **06-06**

(52) **U.S. Cl.** ..... **D6/495**

(58) **Field of Classification Search** ..... D6/480-489,  
D6/495-499, 429-431, 484, 422, 425-428;  
108/150, 153.1, 156, 157.1, 161, 50.01, 50.02;  
312/194-196, 258

See application file for complete search history.

(56) **References Cited**

**U.S. PATENT DOCUMENTS**

D98,365 S *	1/1936	Pumphrey	.....	D6/430
D99,341 S *	4/1936	Bond	.....	D6/492
D100,165 S *	6/1936	Kalpakoff	.....	D6/480
D296,165 S *	6/1988	Ferguson et al.	.....	D6/422
D318,963 S *	8/1991	Haseke et al.	.....	D6/474
D341,273 S *	11/1993	Koguma	.....	D6/428
D355,312 S *	2/1995	Wolff	.....	D6/422
D474,049 S *	5/2003	Wakasugi et al.	.....	D6/484

\* cited by examiner

*Primary Examiner*—Janice E Seeger

(74) *Attorney, Agent, or Firm*—Calfee, Halter & Griswold LLP

(57) **CLAIM**

We claim the ornamental design for a work bench, as shown and described.

**DESCRIPTION**

FIG. 1 is a front perspective view of a work bench made in accordance with an embodiment of the new design;

FIG. 2 is a front view of the work bench of FIG. 1;

FIG. 3 is a rear view of the work bench of FIG. 1;

FIG. 4 is a left side view of the work bench of FIG. 1;

FIG. 5 is a right side view of the work bench of FIG. 1;

FIG. 6 is a top view of the work bench of FIG. 1;

FIG. 7 is a front perspective view of a work bench showing the design in an alternate environment;

FIG. 8 is a front view of the work bench of FIG. 7;

FIG. 9 is a rear view of the work bench of FIG. 7;

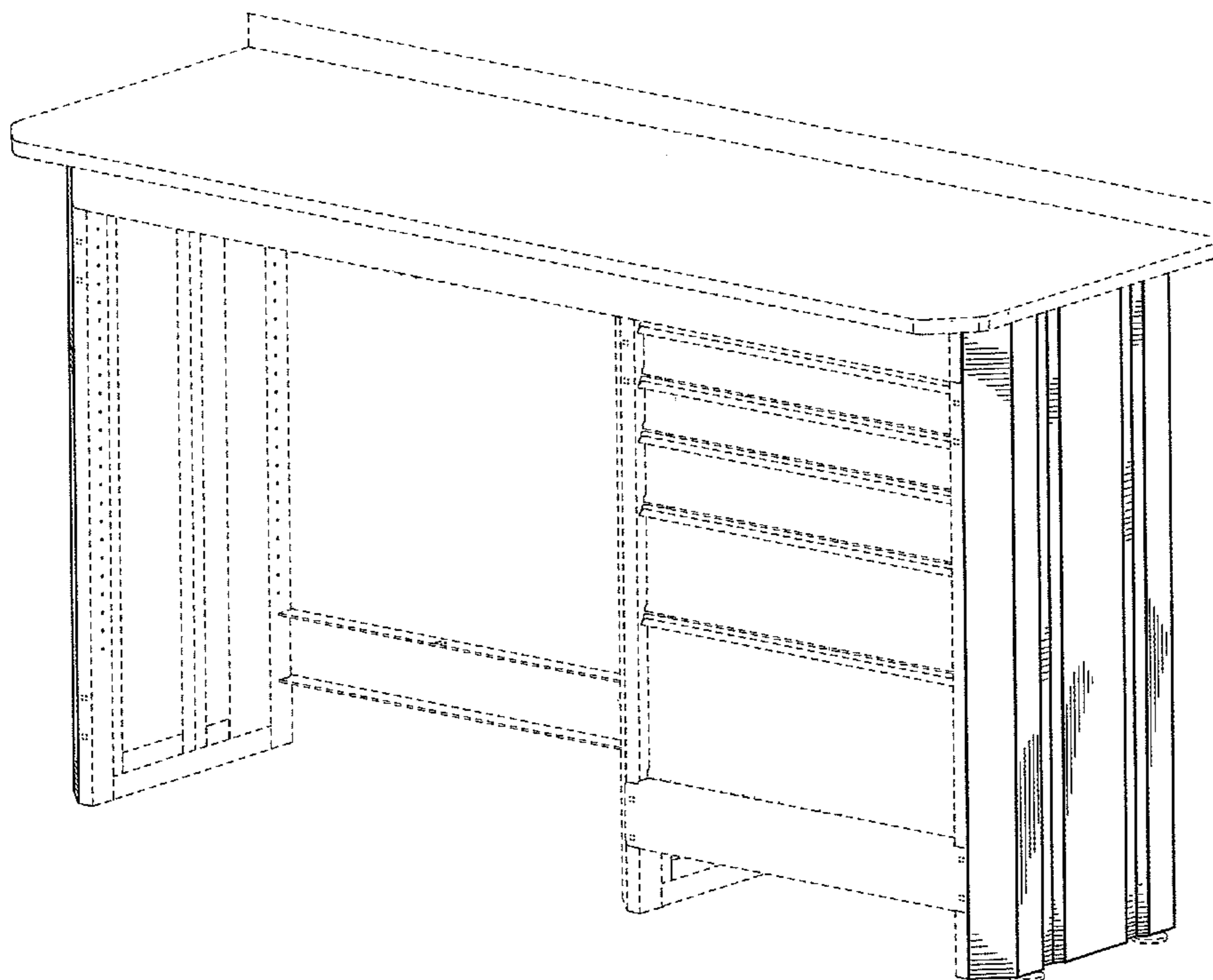
FIG. 10 is a left side view of the work bench of FIG. 7;

FIG. 11 is a right side view of the work bench of FIG. 7; and,

FIG. 12 is a top view of the work bench of FIG. 7.

The broken lines are for environmental purposes only and form no part of the claimed design.

**1 Claim, 10 Drawing Sheets**



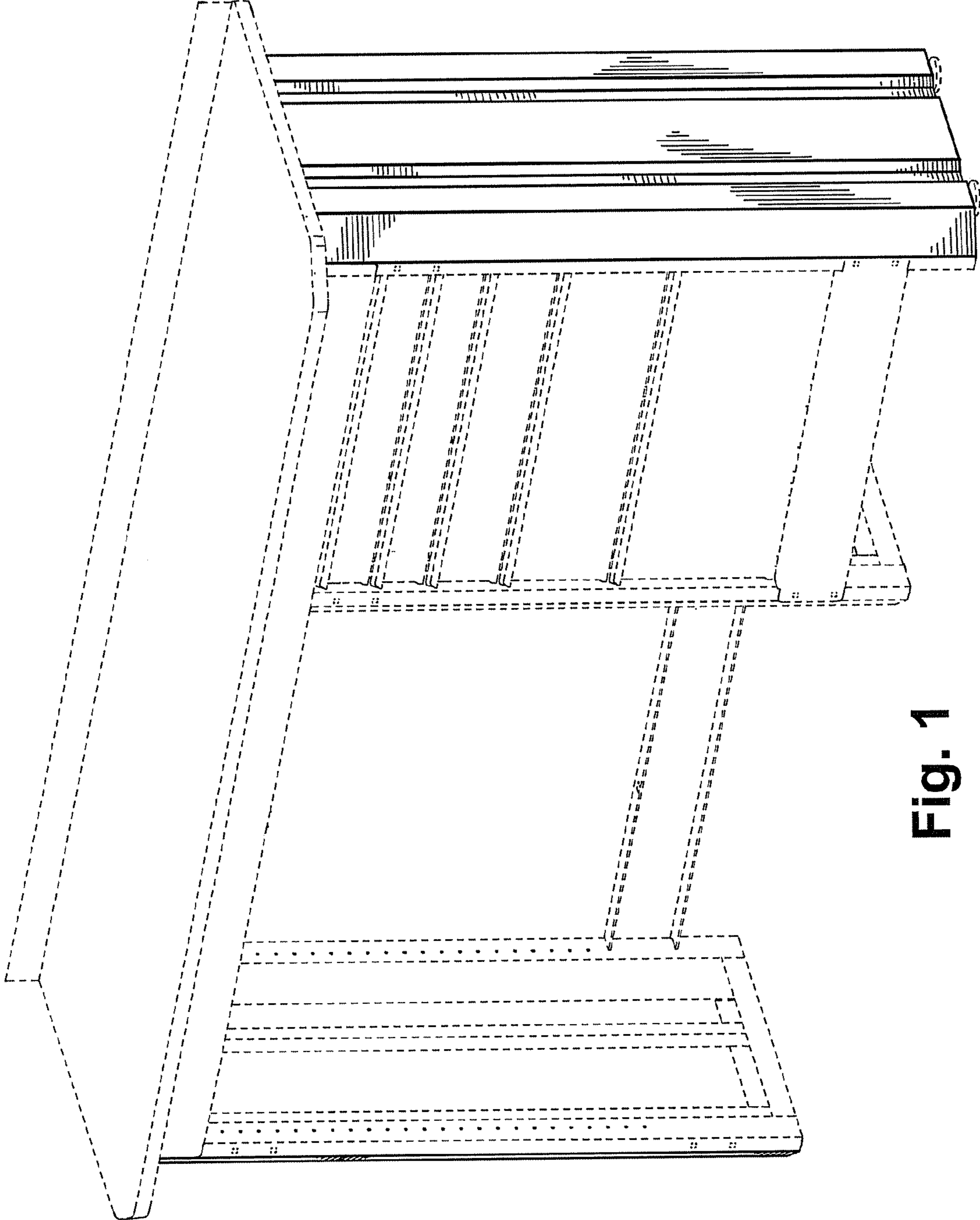


Fig. 1

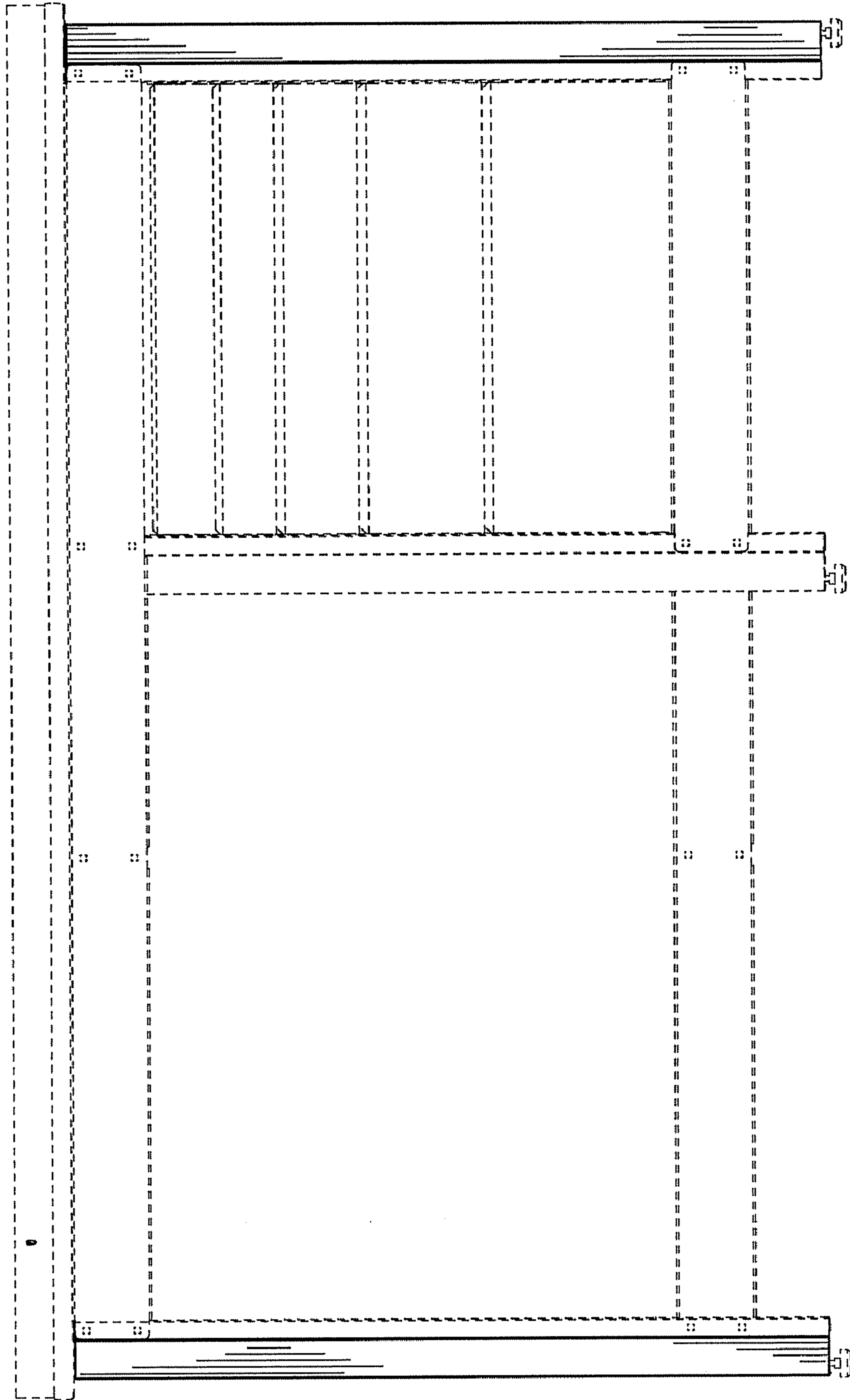


Fig. 2

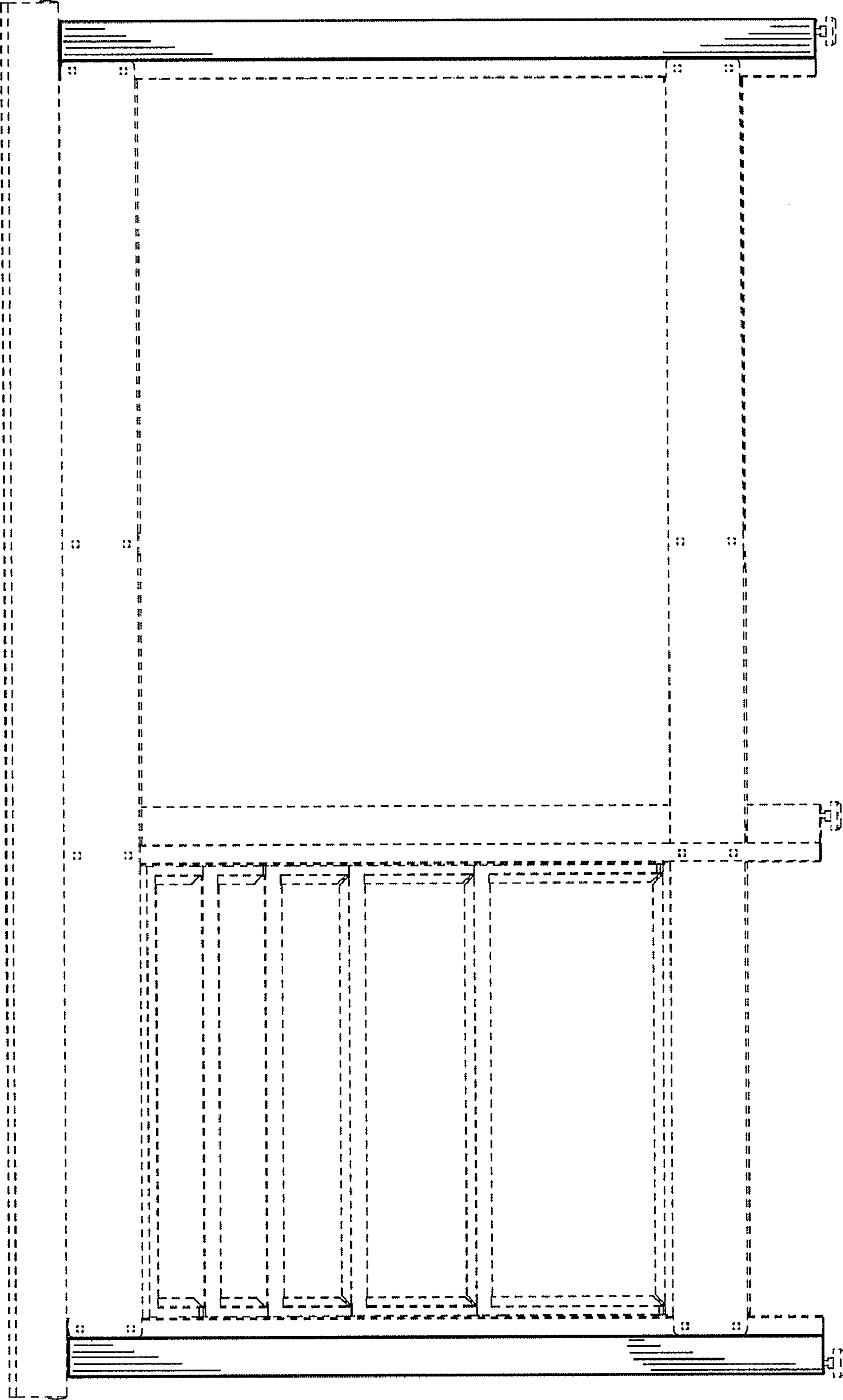


Fig. 3

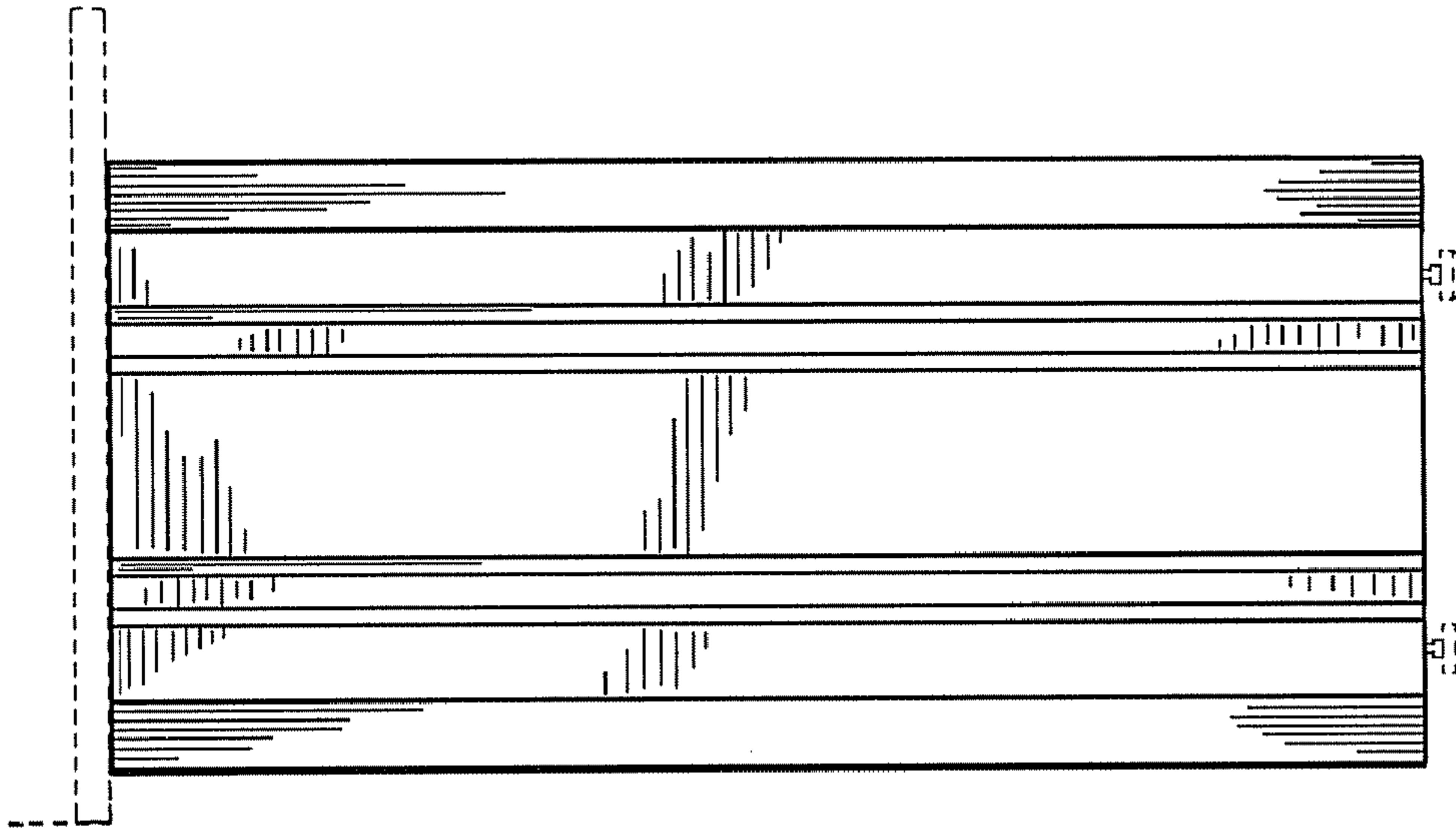


Fig. 5

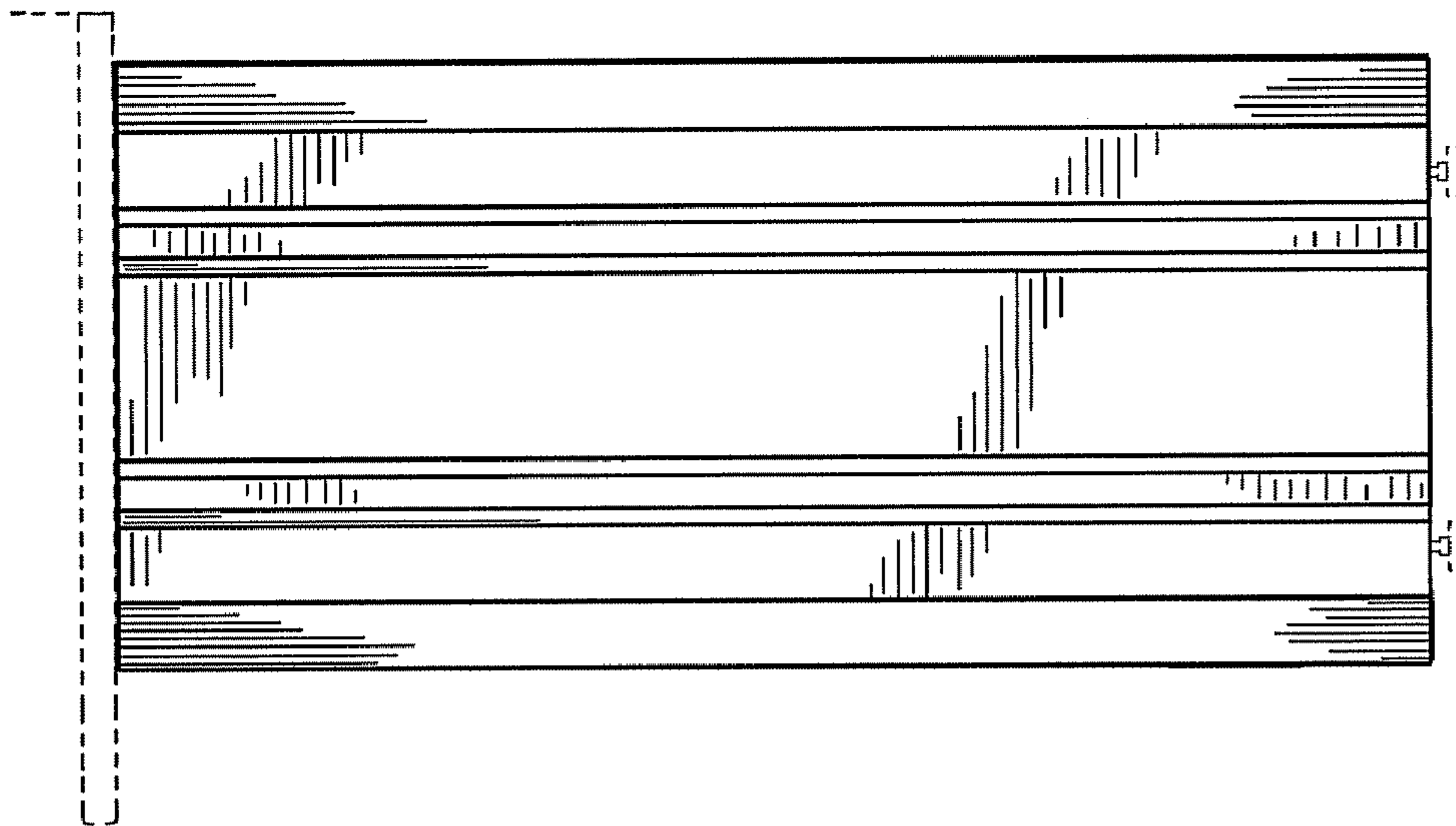
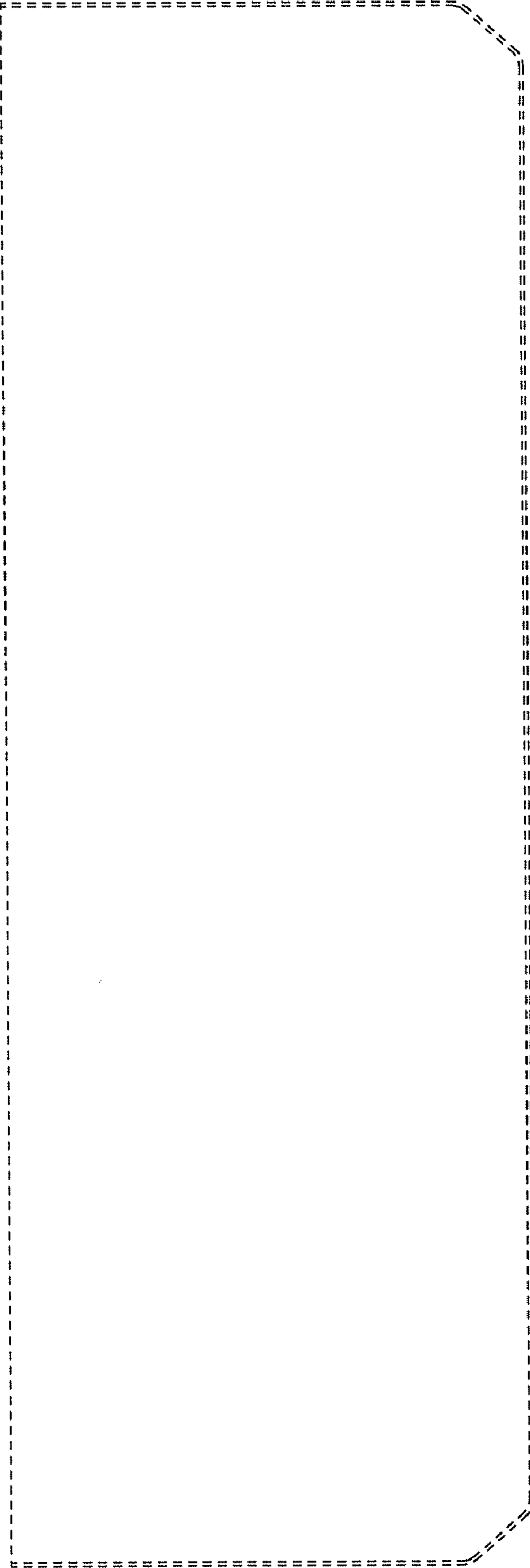


Fig. 4



**Fig. 6**

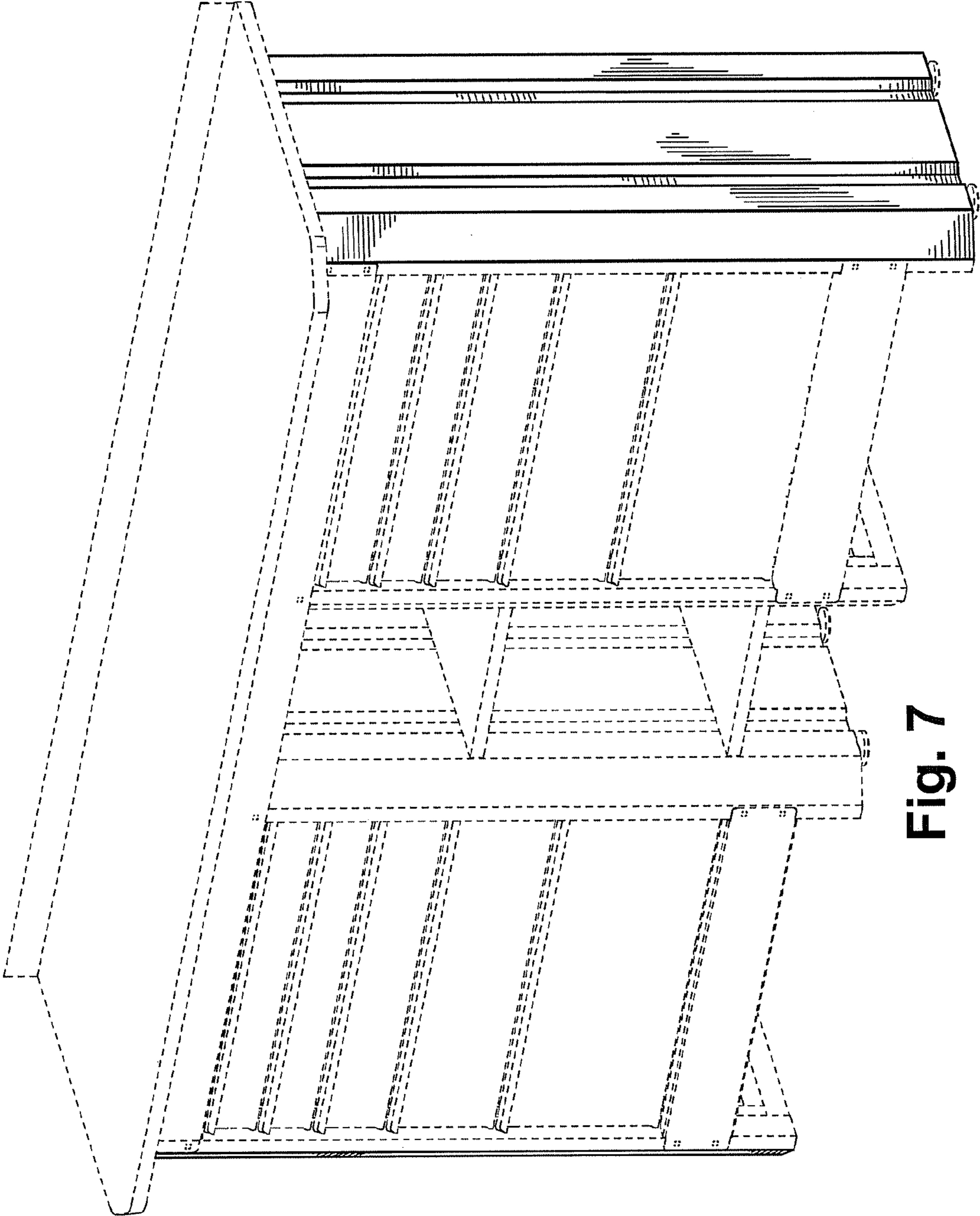


Fig. 7

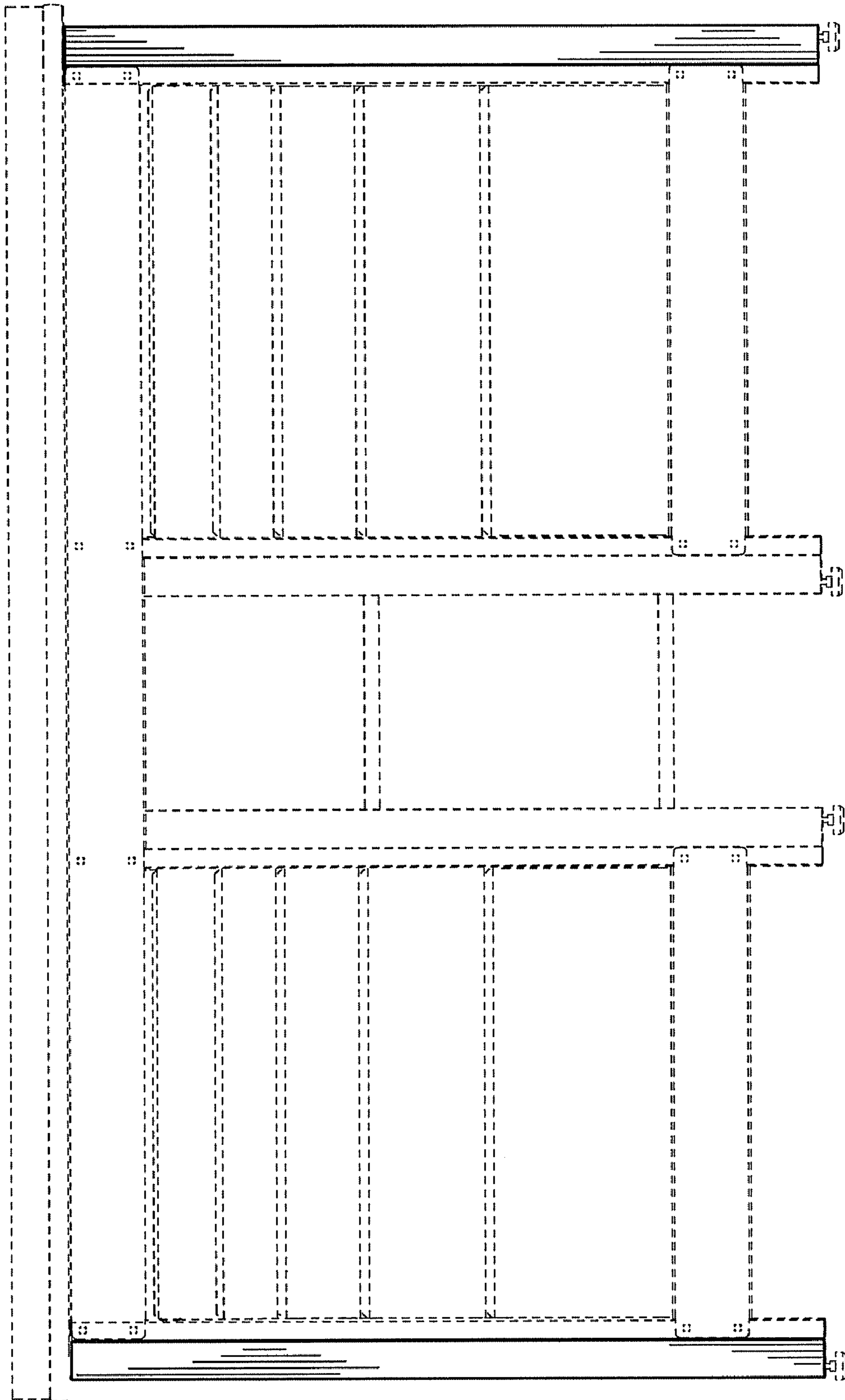


Fig. 8



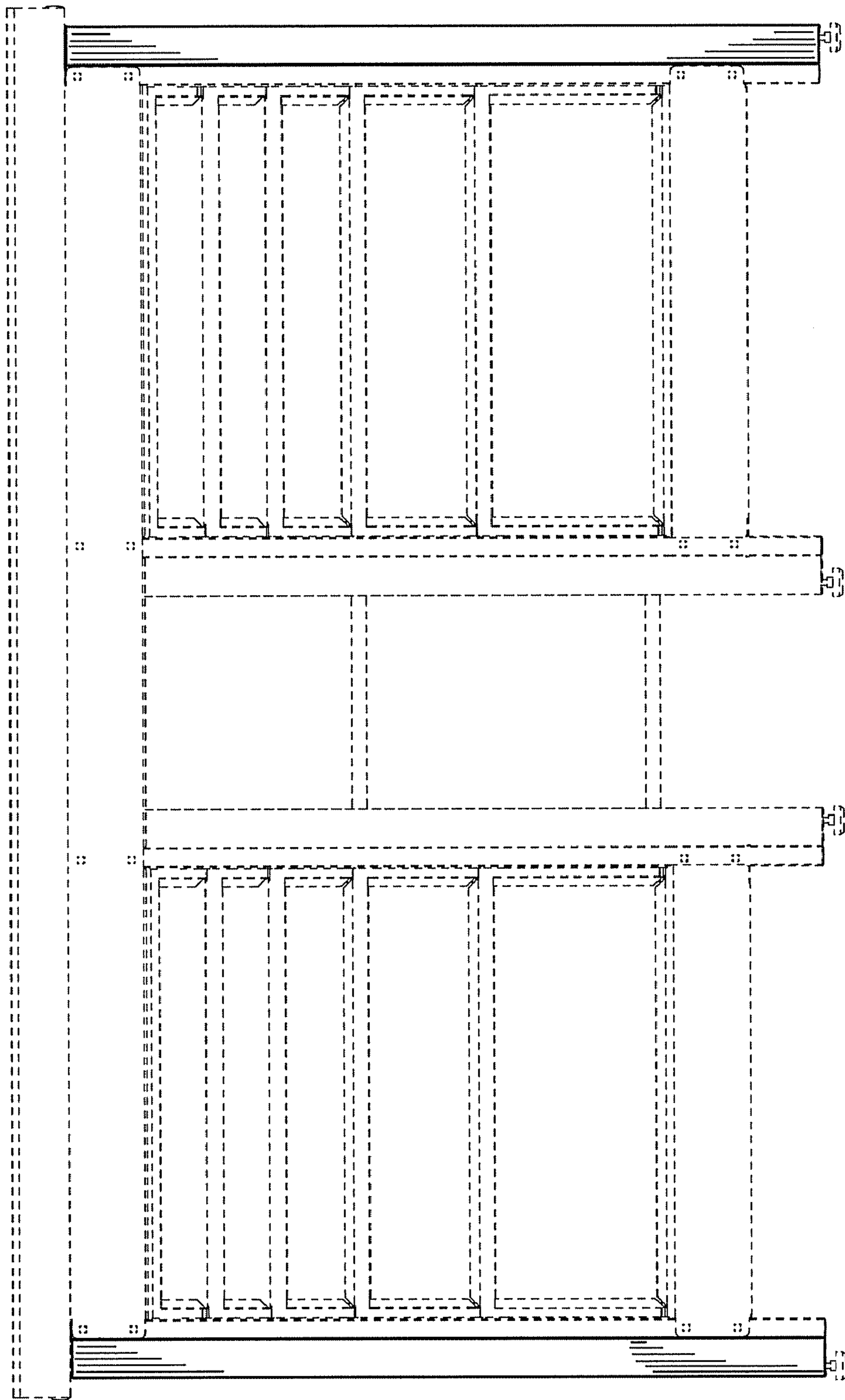


Fig. 9

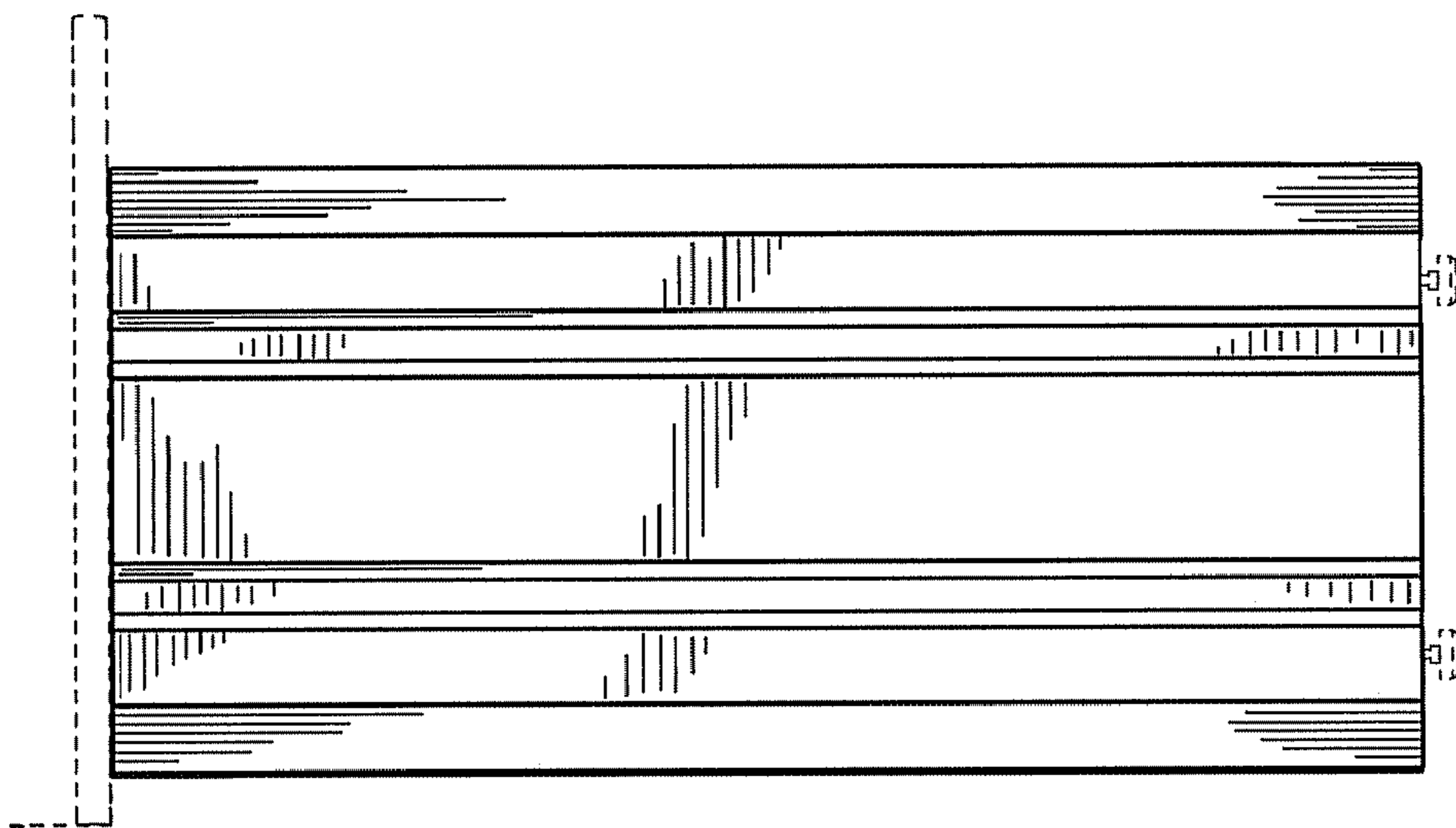


Fig. 11

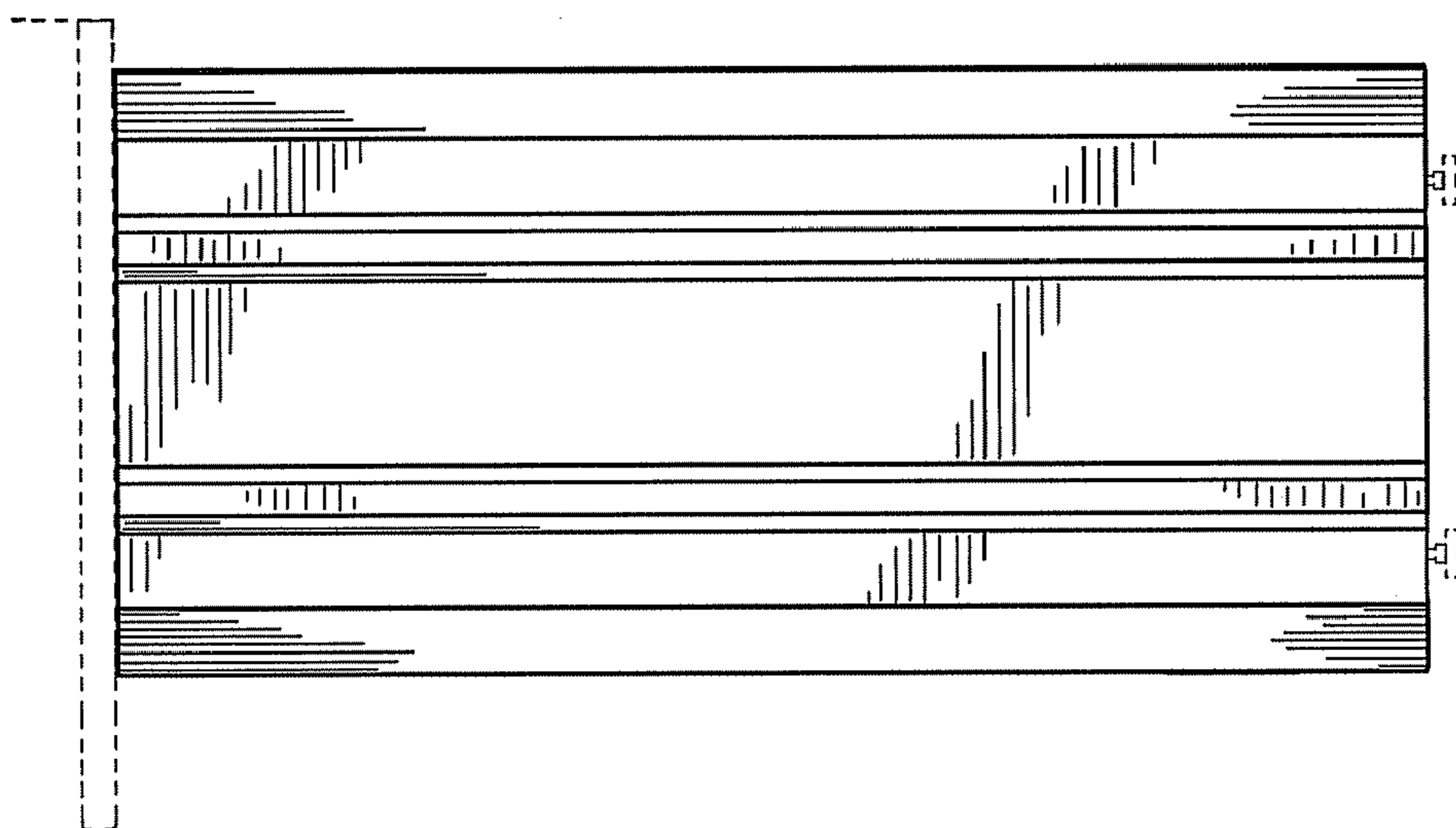
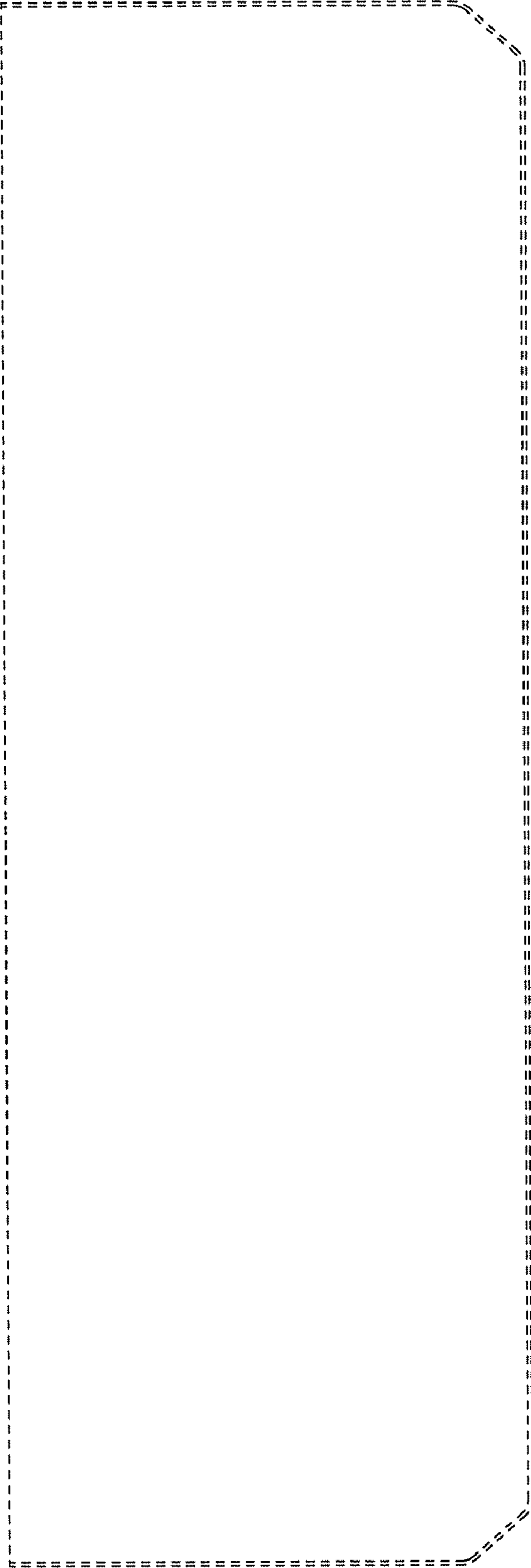


Fig. 10



**Fig. 12**