



US00D591089S

(12) **United States Design Patent**
Sexton

(10) **Patent No.:** **US D591,089 S**

(45) **Date of Patent:** **** Apr. 28, 2009**

(54) **FLAT SCREEN TV CONSOLE**

D576,427 S * 9/2008 Stebbens et al. D6/477

(75) Inventor: **James S. Sexton**, San Ramon, CA (US)

* cited by examiner

(73) Assignee: **Z-Line Designs, Inc.**, San Ramon, CA (US)

Primary Examiner—Elizabeth A Albert

Assistant Examiner—Kelley A Donnelly

(74) *Attorney, Agent, or Firm*—Townsend and Townsend and Crew LLP

(**) Term: **14 Years**

(21) Appl. No.: **29/318,881**

(57) **CLAIM**

(22) Filed: **May 29, 2008**

The ornamental design for a flat screen TV console, as shown and described.

(51) **LOC (9) Cl.** **06-04**

(52) **U.S. Cl.** **D6/479**

(58) **Field of Classification Search** D6/474,
D6/477-479; 108/59, 91-92, 96; 211/40,
211/41.12, 42, 49.1, 50, 85.2, 90.04; 206/307
See application file for complete search history.

DESCRIPTION

FIG. 1 is a perspective view of a flat screen TV console showing my new design;

FIG. 2 is a front elevational view thereof;

FIG. 3 is a rear elevational view thereof;

FIG. 4 is a right side elevational view thereof;

FIG. 5 is a left side elevational view thereof;

FIG. 6 is a top plan view thereof; and,

FIG. 7 is a bottom plan view thereof.

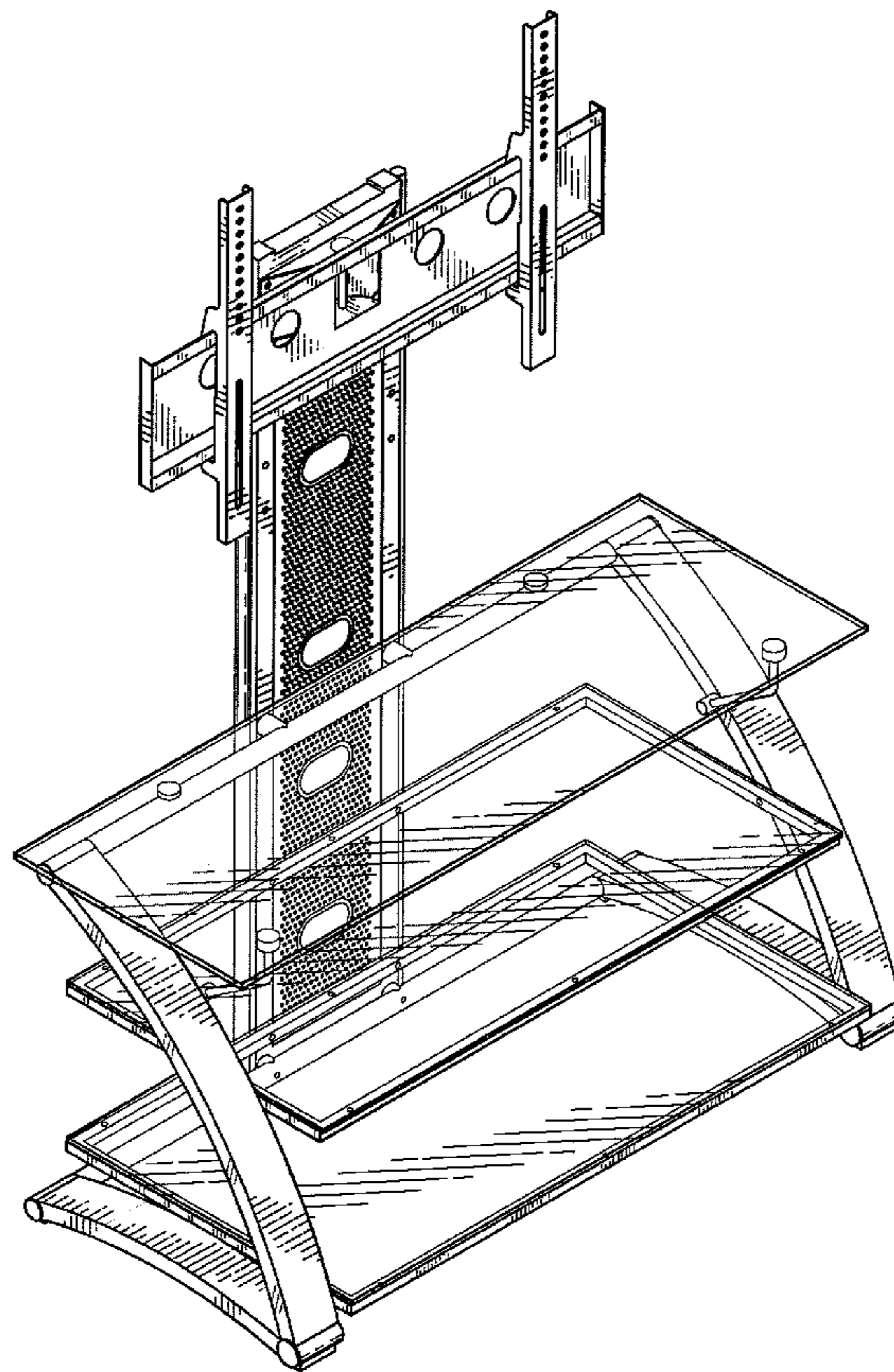
The broken lines showing attachment portions in FIGS. 1, 2, 4, and 5 are for environmental purposes only and form no part of the claimed design.

(56) **References Cited**

U.S. PATENT DOCUMENTS

| | | | | |
|----------------|--------|-------------|-------|-----------|
| D474,047 S * | 5/2003 | Lara | | D6/479 |
| D495,163 S * | 8/2004 | Weatherly | | D6/479 |
| D508,801 S * | 8/2005 | Holst | | D6/477 |
| D537,658 S * | 3/2007 | Tung | | D6/479 |
| 7,195,213 B2 * | 3/2007 | Weatherly | | 248/125.1 |
| D539,565 S * | 4/2007 | Sexton, III | | D6/474 |
| D567,546 S * | 4/2008 | Liu | | D6/479 |
| D570,620 S * | 6/2008 | Ongor | | D6/479 |

1 Claim, 5 Drawing Sheets



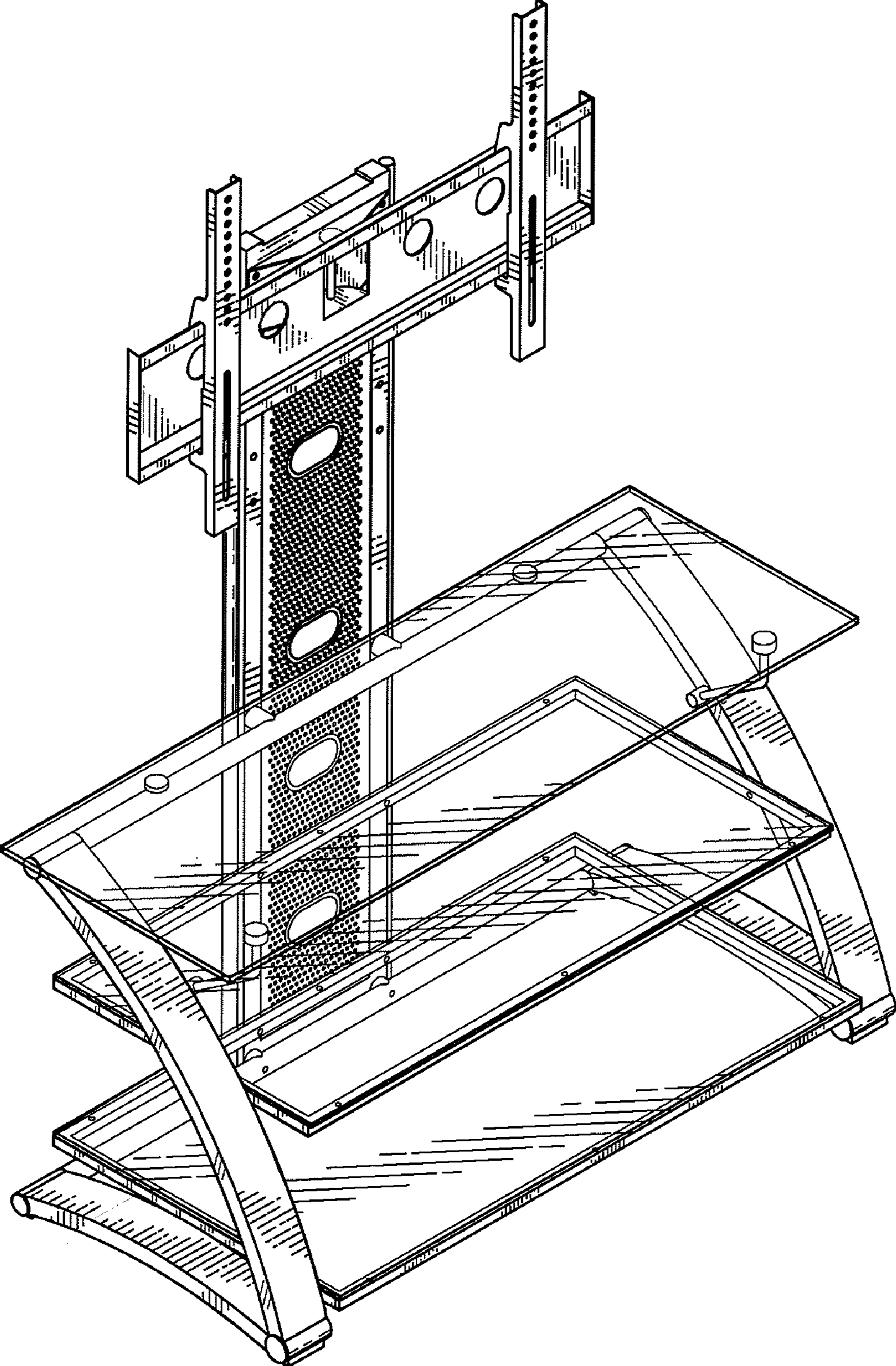


FIG. 1

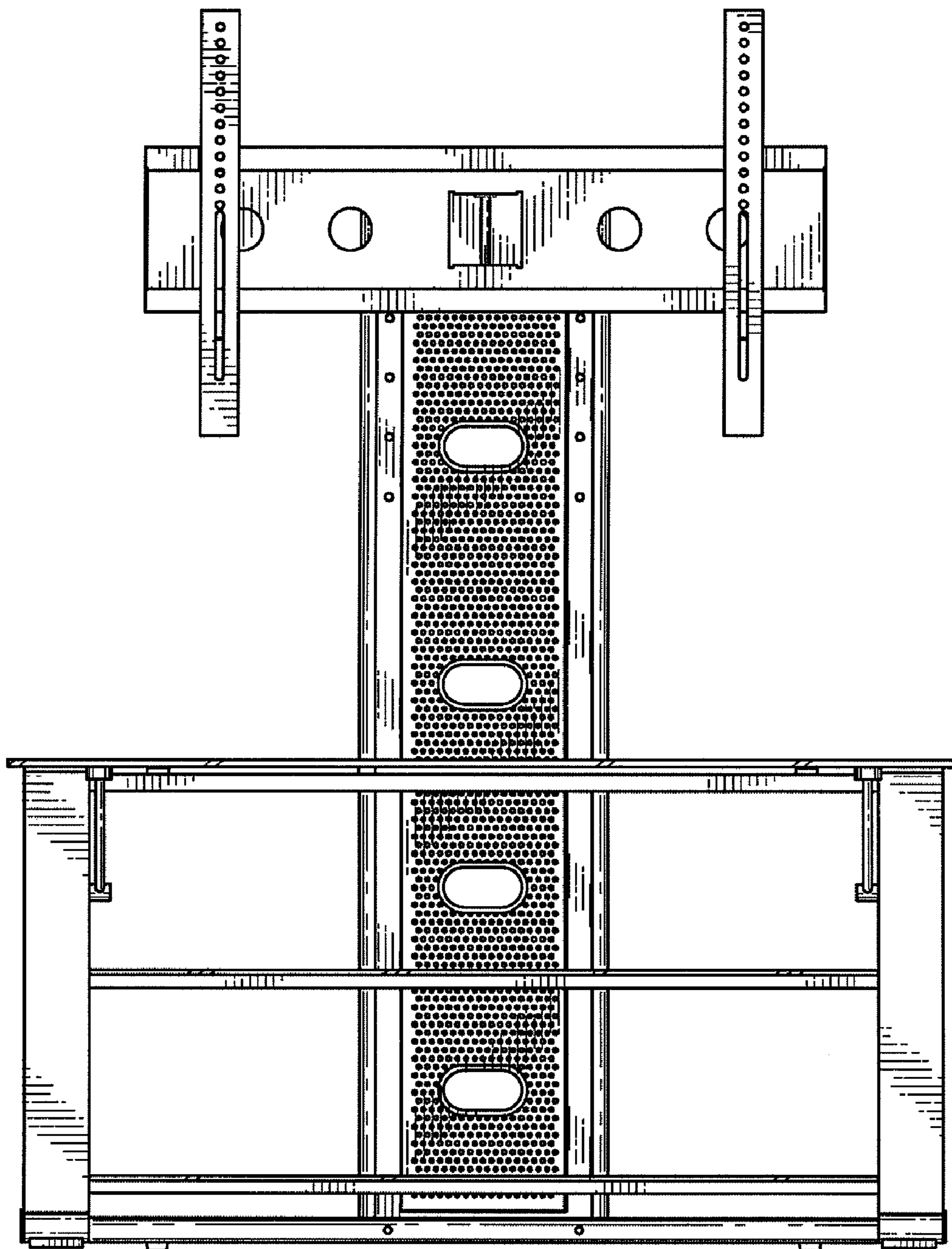


FIG. 2

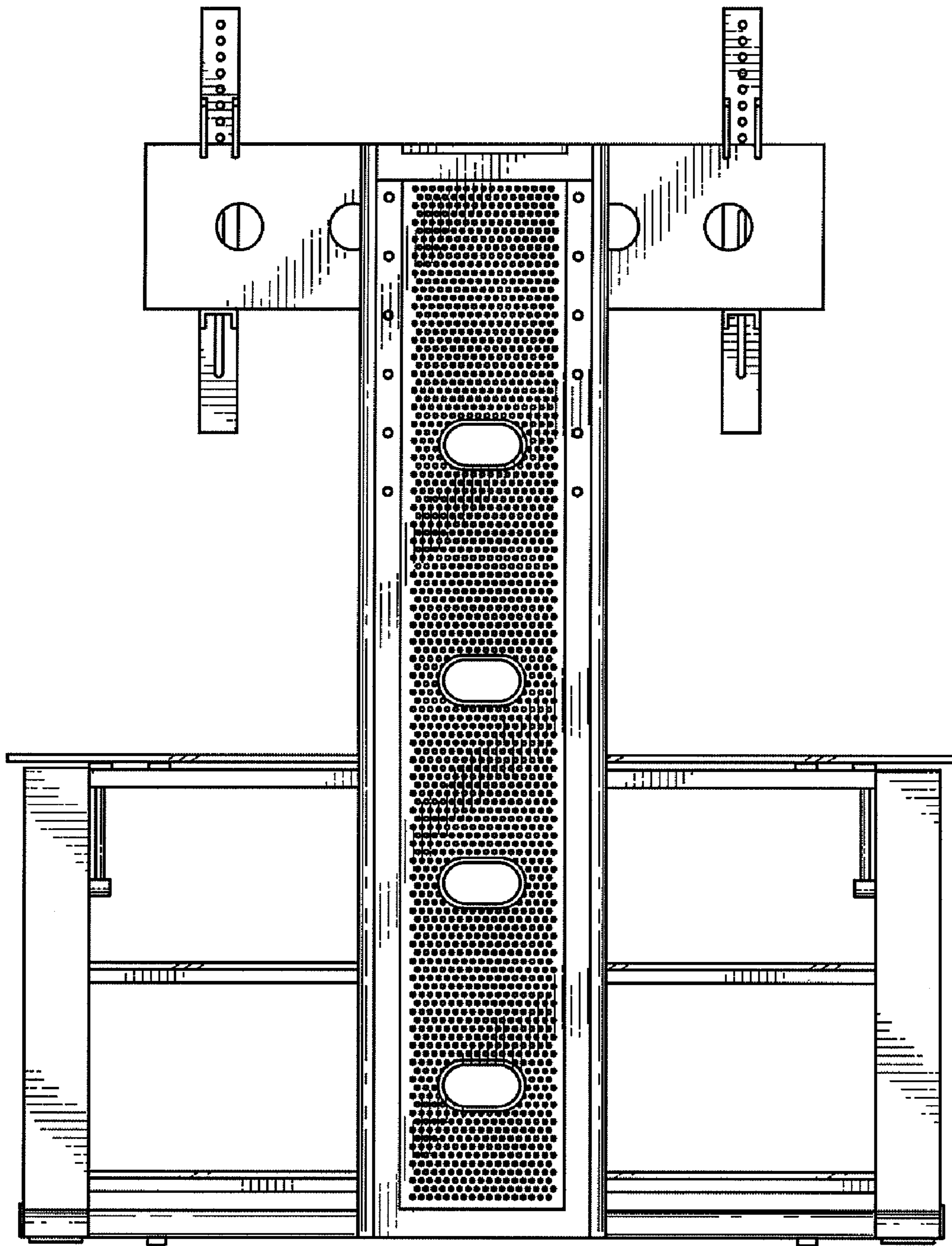


FIG. 3

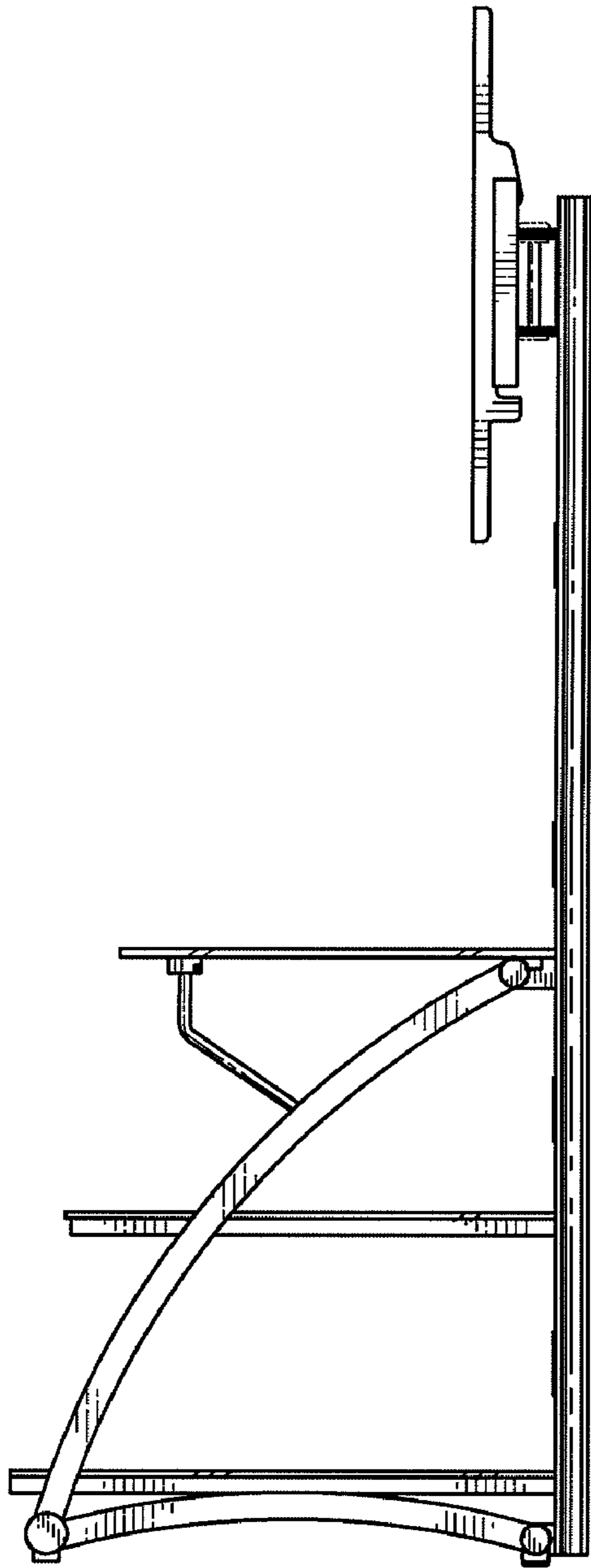


FIG. 4

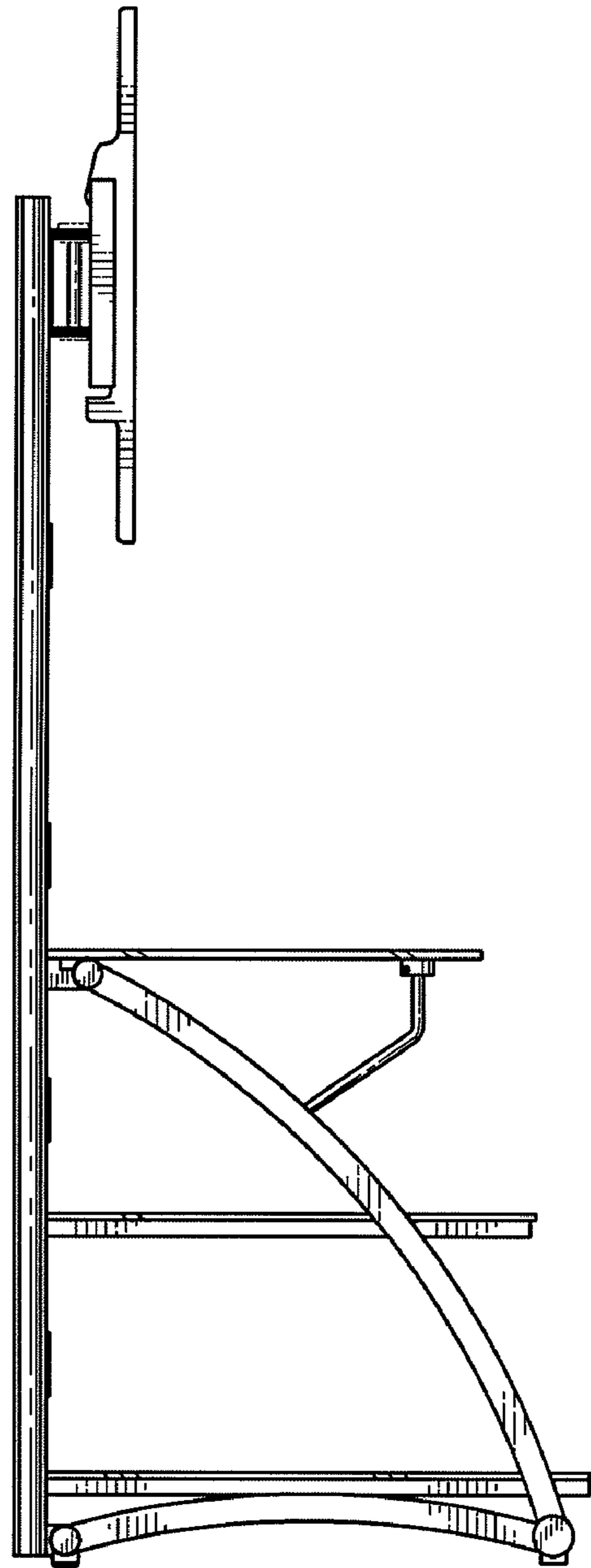


FIG. 5

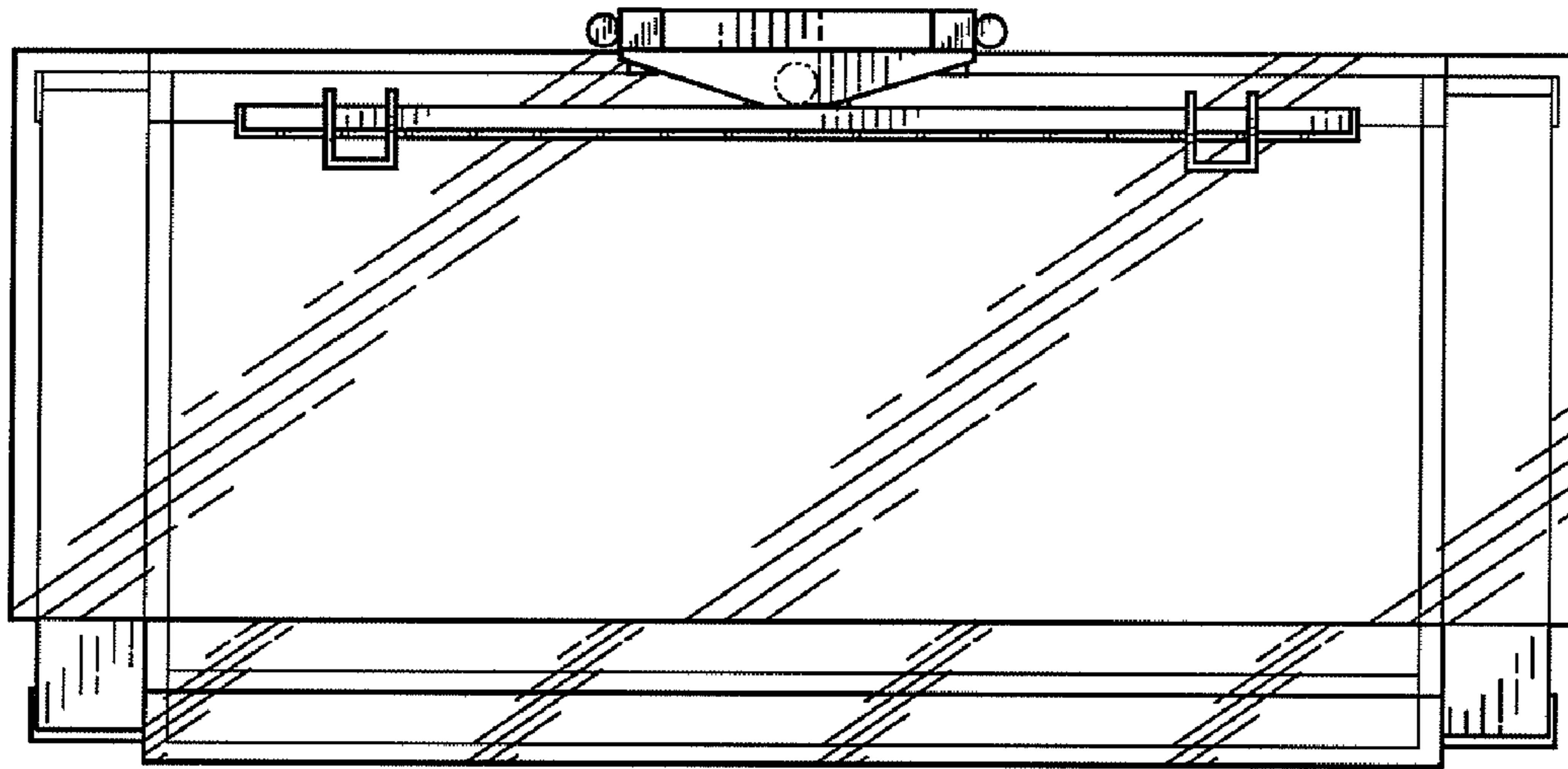


FIG. 6

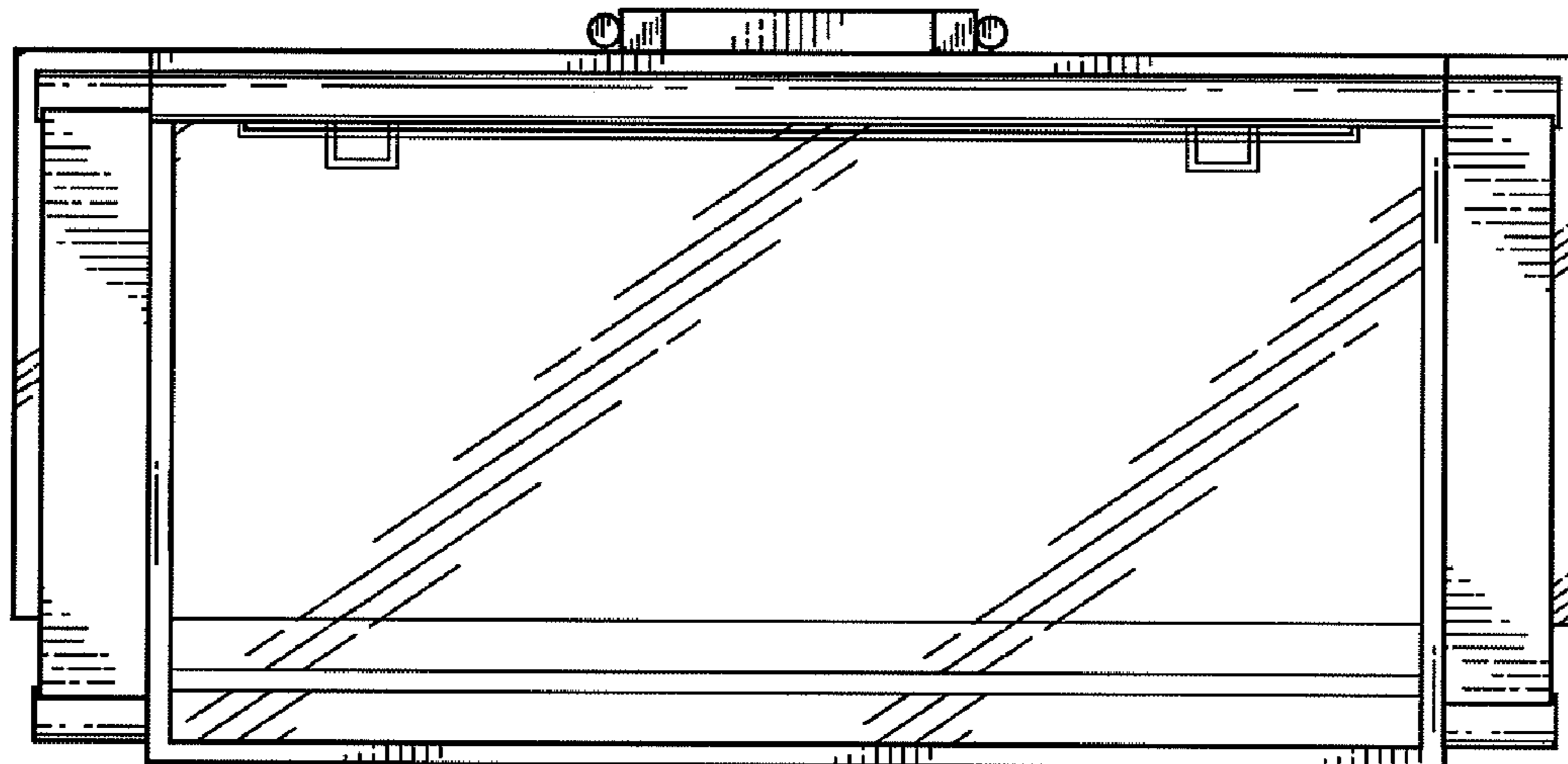


FIG. 7