



US00D591087S

(12) **United States Design Patent**  
**Bezemer**

(10) **Patent No.:** **US D591,087 S**  
(45) **Date of Patent:** **\*\* Apr. 28, 2009**

(54) **DISPLAY FURNITURE**

D541,557 S \* 5/2007 Weatherly ..... D6/474

(75) Inventor: **René Bezemer**, Zwijndrecht (NL)

FOREIGN PATENT DOCUMENTS

(73) Assignee: **Instore Ambiance B.V.**, Waarde (NL)

WO DM/051047 5/2000

(\*\*) Term: **14 Years**

\* cited by examiner

(21) Appl. No.: **29/299,318**

*Primary Examiner*—Elizabeth A Albert

*Assistant Examiner*—Kelley A Donnelly

(22) Filed: **Dec. 21, 2007**

(74) *Attorney, Agent, or Firm*—K & L Gates LLP

(51) **LOC (9) Cl.** ..... **06-04**

(52) **U.S. Cl.** ..... **D6/474**

(58) **Field of Classification Search** ..... D6/474,  
D6/477–479, 460–461, 468; 312/7.2, 9.1;  
108/59, 91–93, 96; 211/40, 13.1, 128.1,  
211/34

See application file for complete search history.

(57) **CLAIM**

The ornamental design for display furniture, as shown and described.

(56) **References Cited**

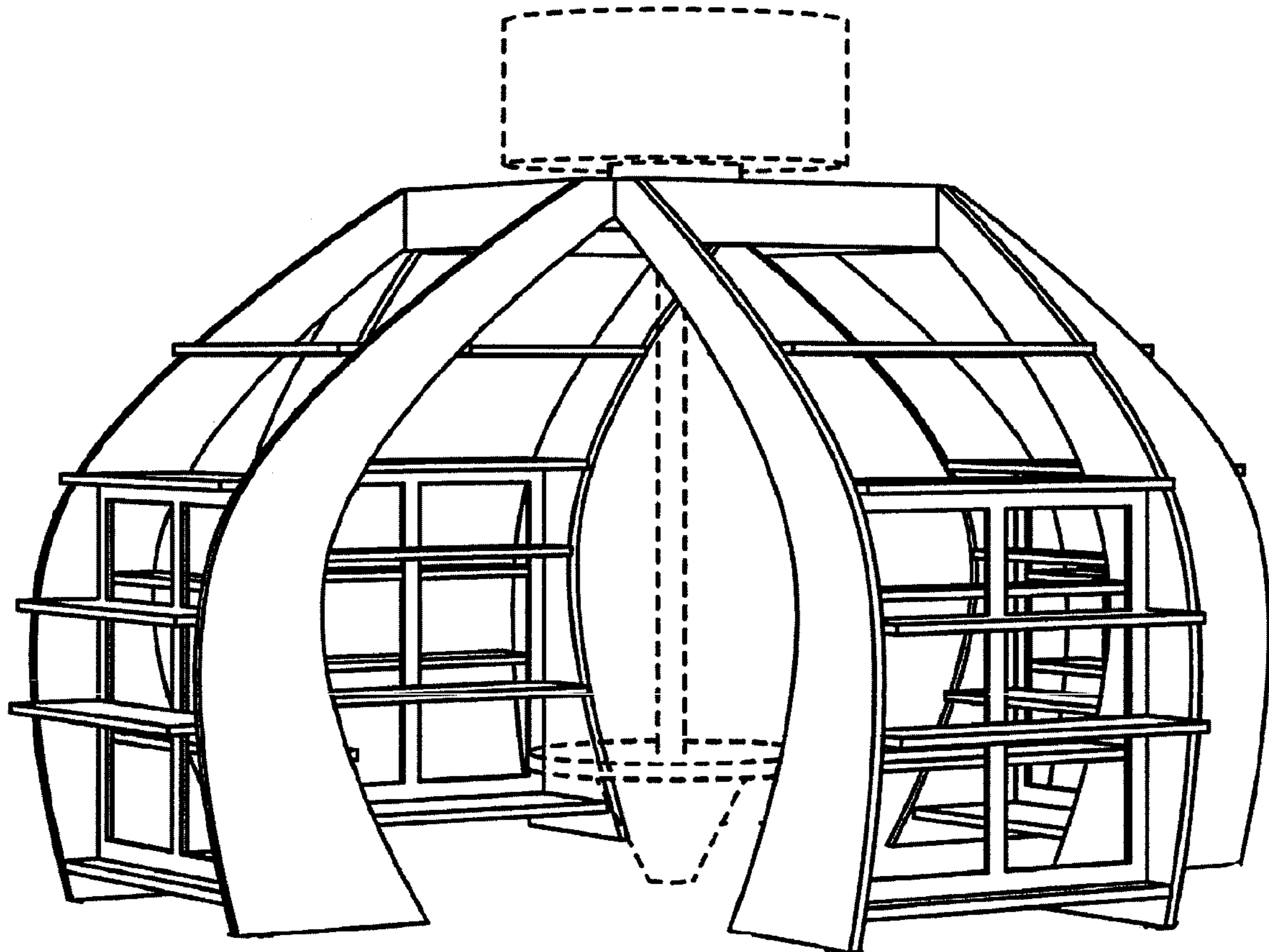
U.S. PATENT DOCUMENTS

D433,846 S	*	11/2000	Chang	.....	D6/474
D451,307 S	*	12/2001	Dong	.....	D6/474
D486,673 S	*	2/2004	Hessell	.....	D6/474
D491,749 S	*	6/2004	Malizia	.....	D6/474
D505,572 S	*	5/2005	Chang	.....	D6/474

**DESCRIPTION**

FIG. 1 is a plan view of the display furniture;  
FIG. 2 is another plan view of the display furniture of FIG. 1;  
FIG. 3 is a top plan view of the display furniture of FIG. 1;  
and,  
FIG. 4 is a perspective view of the display furniture of FIG. 1.  
The portions shown in broken lines are for environmental purposes only and form no part of the claimed design.

**1 Claim, 4 Drawing Sheets**



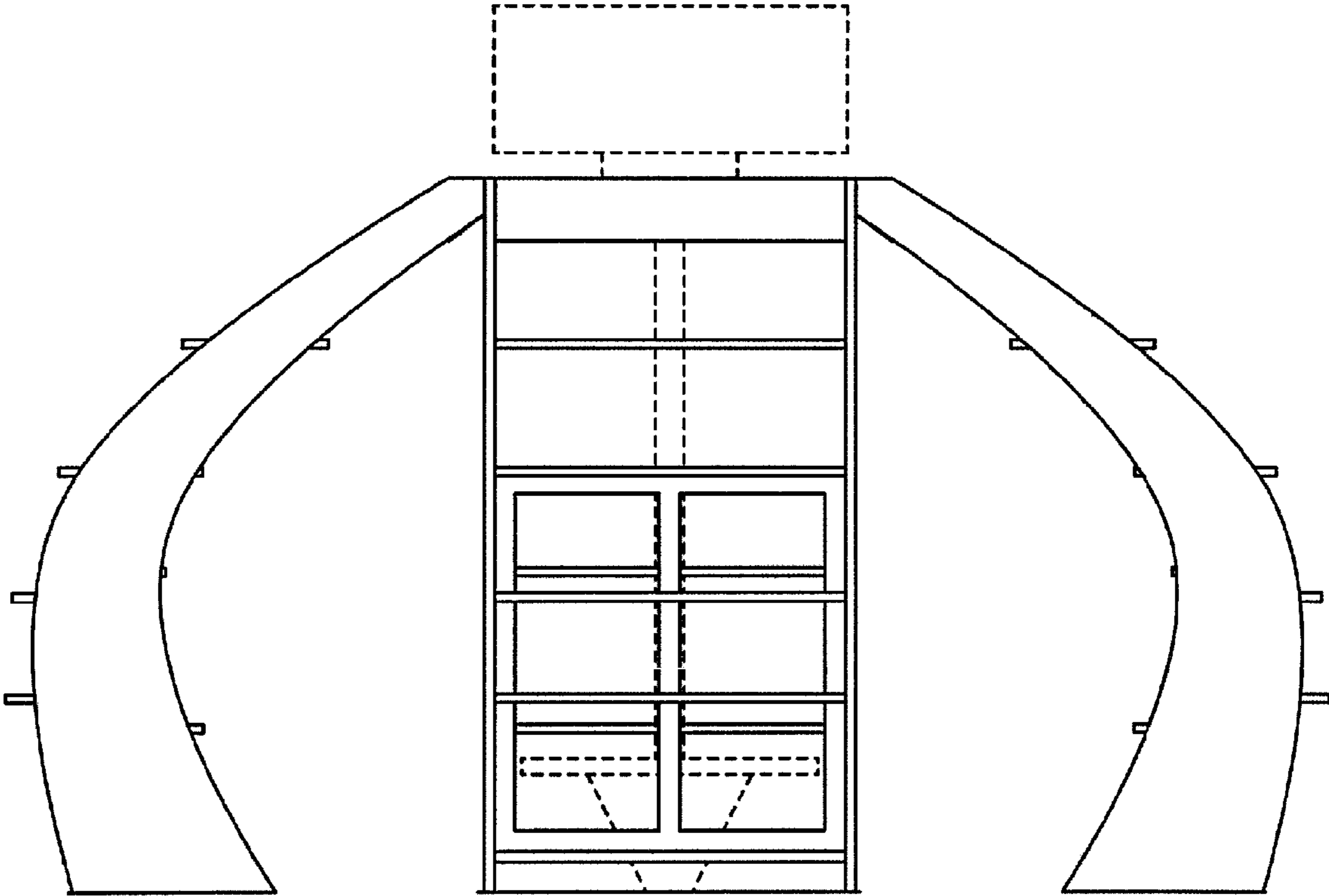


FIG. 1

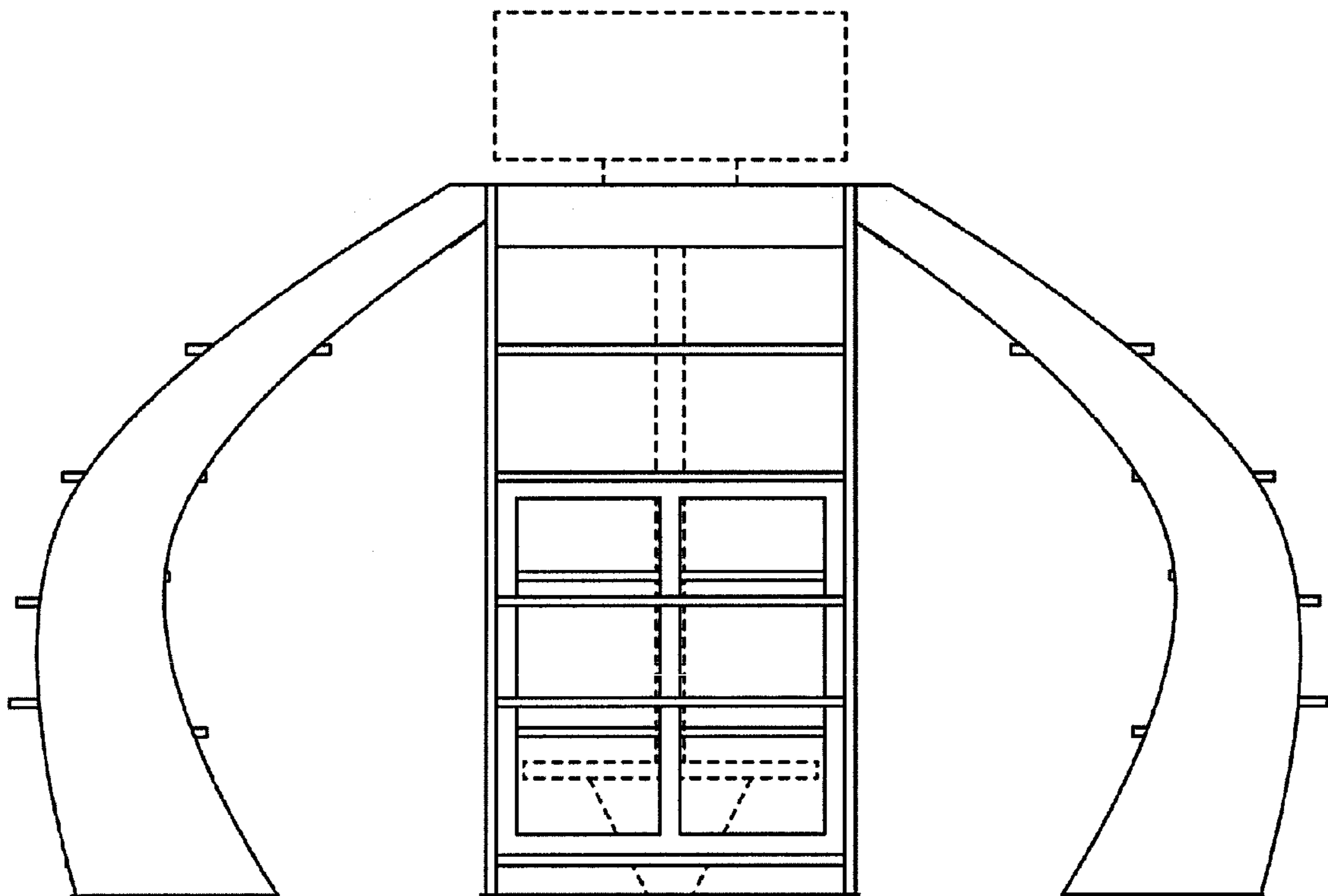


FIG. 2

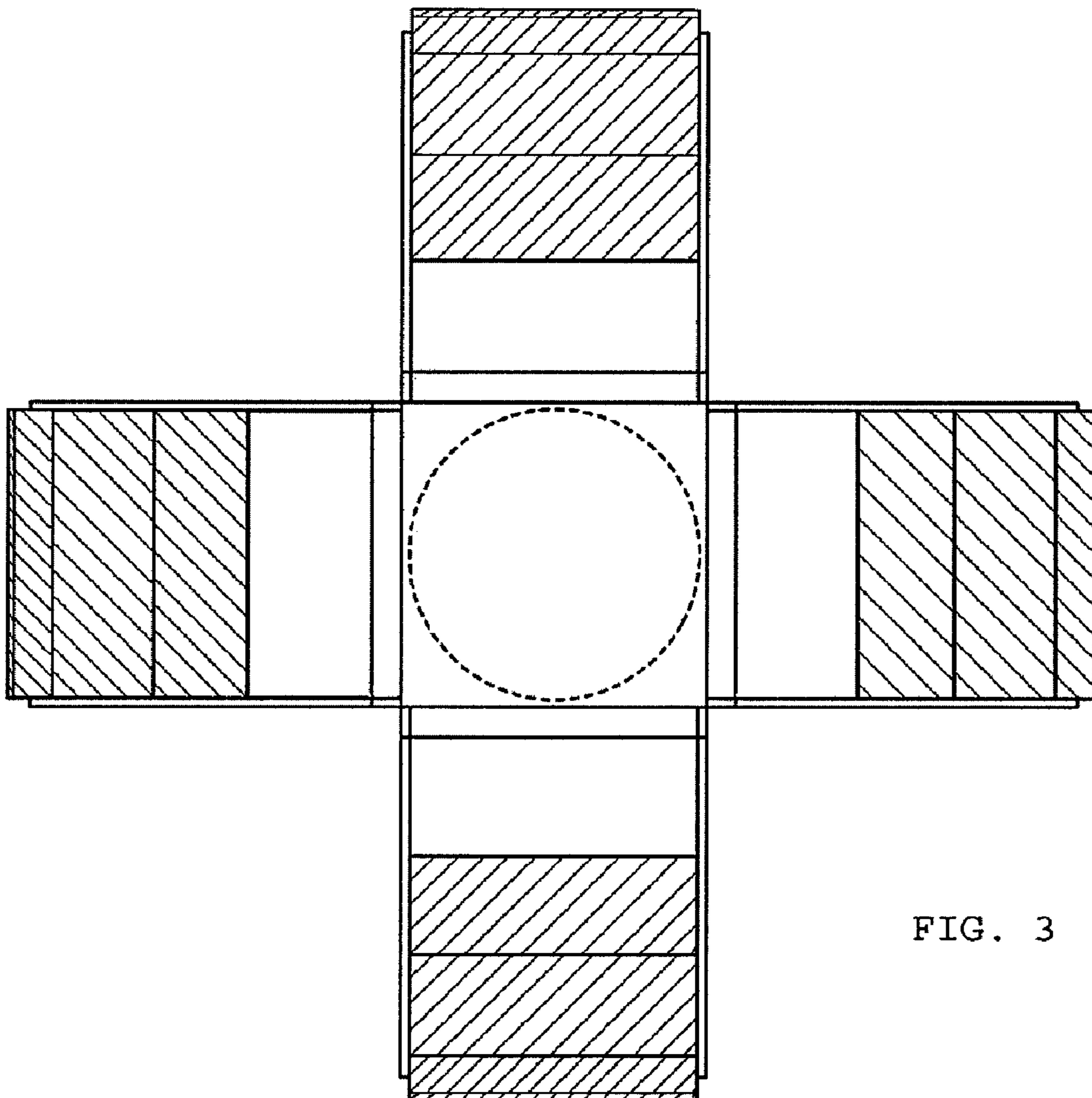


FIG. 3

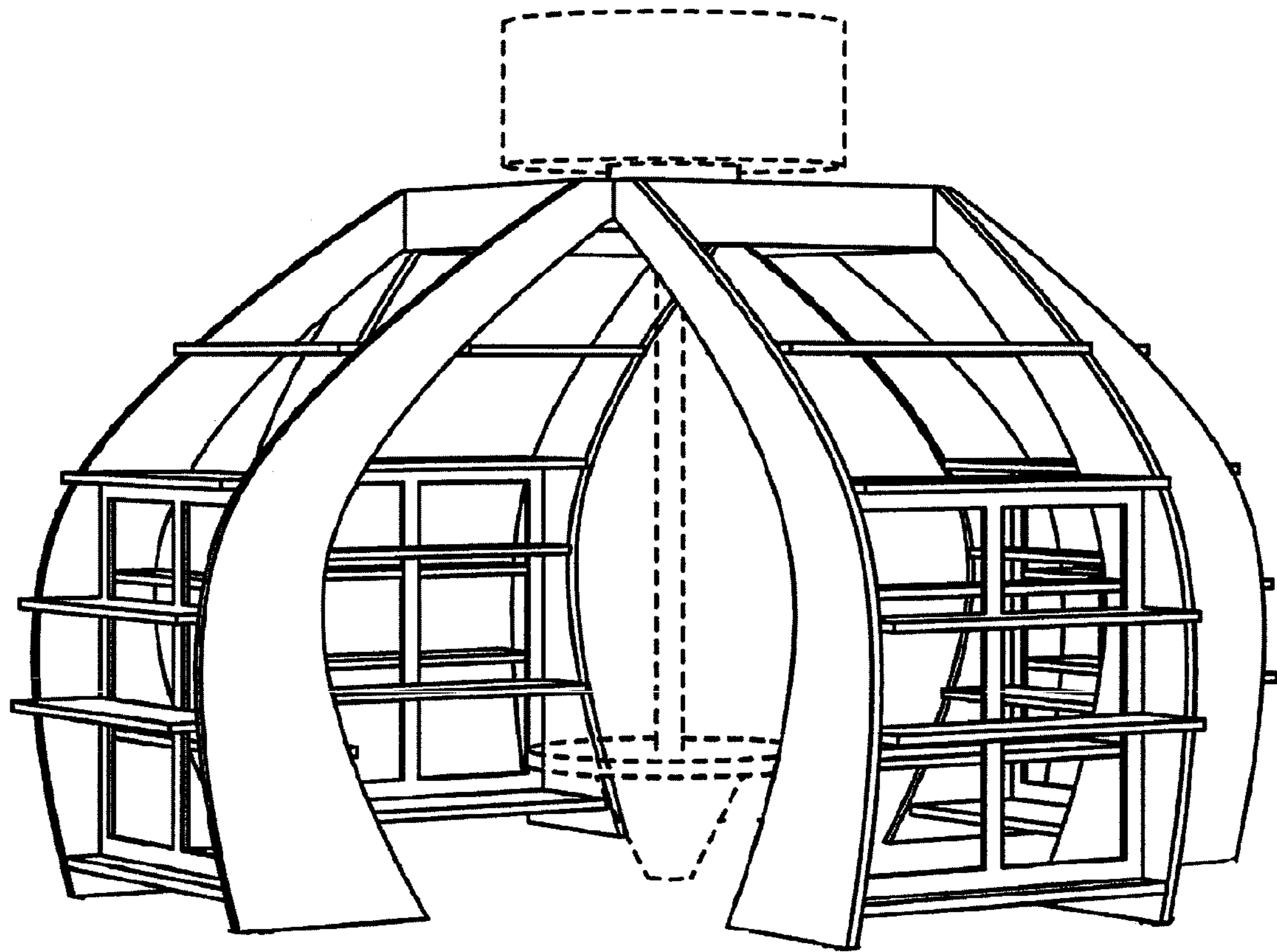


FIG. 4