

US00D591083S

(12) **United States Design Patent**  
**Singler et al.**

(10) **Patent No.:** **US D591,083 S**

(45) **Date of Patent:** **\*\* Apr. 28, 2009**

(54) **DISPLAY STRUCTURE**

(75) Inventors: **Ronald David Singler**, Seattle, WA  
(US); **Christian John Jochman**, Seattle,  
WA (US)

(73) Assignee: **Microsoft Corporation**, Redmond, WA  
(US)

(\*\*) Term: **14 Years**

(21) Appl. No.: **29/320,548**

(22) Filed: **Jun. 27, 2008**

(51) **LOC (9) Cl.** ..... **06-04**

(52) **U.S. Cl.** ..... **D6/449; D6/396**

(58) **Field of Classification Search** ..... D6/396,  
D6/397, 449, 420, 426, 422, 436, 433, 480;  
482/142; D21/385

See application file for complete search history.

(56) **References Cited**

**U.S. PATENT DOCUMENTS**

|            |   |         |          |       |        |
|------------|---|---------|----------|-------|--------|
| D233,971 S | * | 12/1974 | Hodges   | ..... | D6/420 |
| D270,217 S | * | 8/1983  | Daventry | ..... | D6/480 |
| D281,746 S | * | 12/1985 | Koguma   | ..... | D6/426 |
| D429,087 S | * | 8/2000  | Gilbert  | ..... | D6/422 |
| D454,443 S | * | 3/2002  | Nored    | ..... | D6/422 |
| D463,161 S | * | 9/2002  | Nored    | ..... | D6/422 |

|              |   |         |               |       |         |
|--------------|---|---------|---------------|-------|---------|
| D553,878 S   | * | 10/2007 | Edison et al. | ..... | D6/436  |
| 7,311,642 B2 | * | 12/2007 | Li et al.     | ..... | 482/142 |
| D567,536 S   | * | 4/2008  | Paterson      | ..... | D6/436  |
| D568,630 S   | * | 5/2008  | Paterson      | ..... | D6/436  |
| D570,422 S   | * | 6/2008  | Beirne et al. | ..... | D21/385 |

\* cited by examiner

*Primary Examiner*—Caron Veynar

*Assistant Examiner*—Sydney R Buffalow

(74) *Attorney, Agent, or Firm*—Banner & Witcoff, Ltd.

(57) **CLAIM**

The ornamental design for a display structure, as shown and described.

**DESCRIPTION**

FIG. 1 is a front perspective view of the display structure showing the new design;

FIG. 2 is a front view thereof;

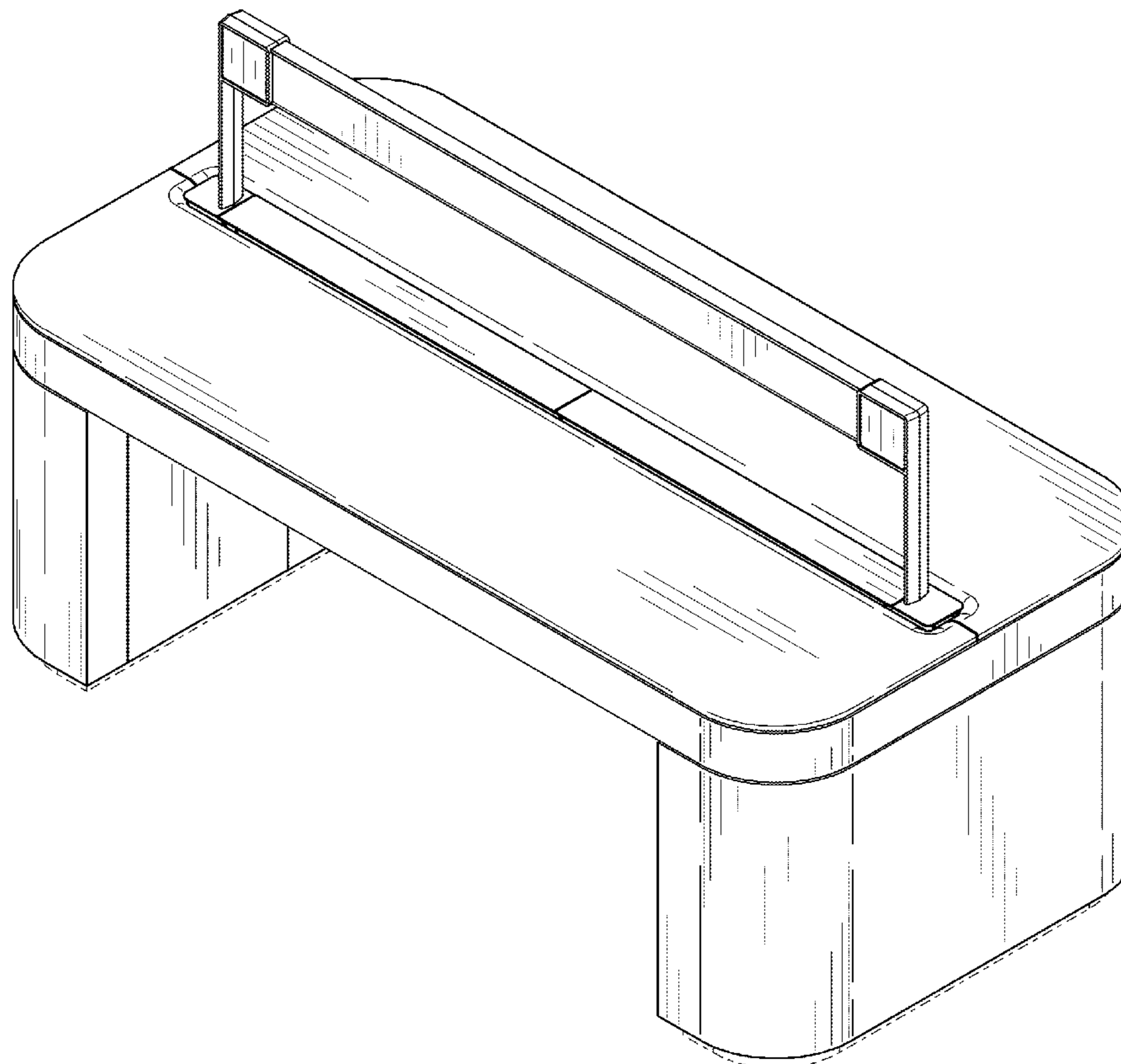
FIG. 3 is a right side view thereof;

FIG. 4 is a left side view thereof; and,

FIG. 5 is a top view thereof.

The broken line showing of various regions and the unshaded areas there within are for illustrative purposes only and forms no part of the claimed design.

**1 Claim, 5 Drawing Sheets**



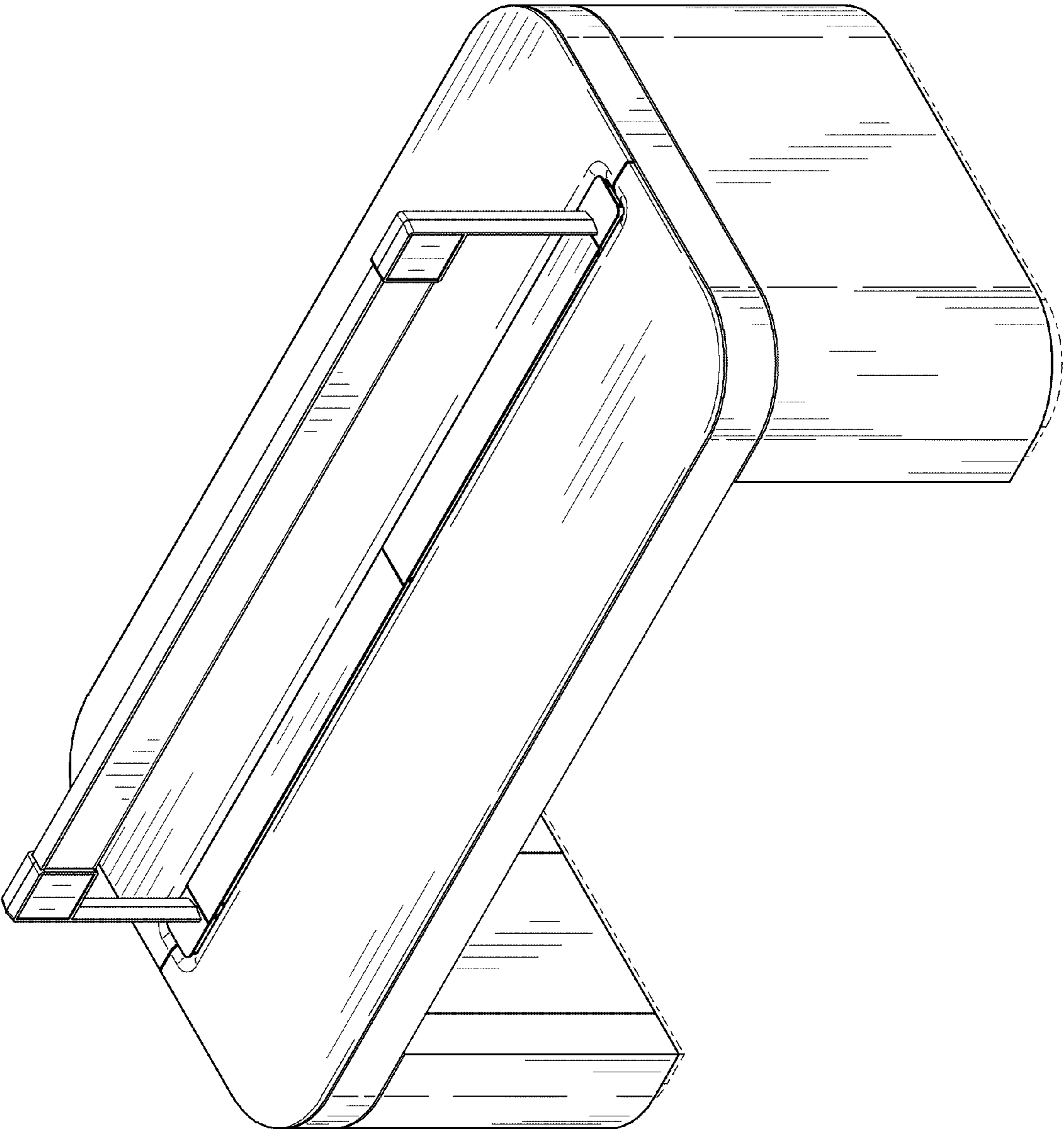


FIG. 1

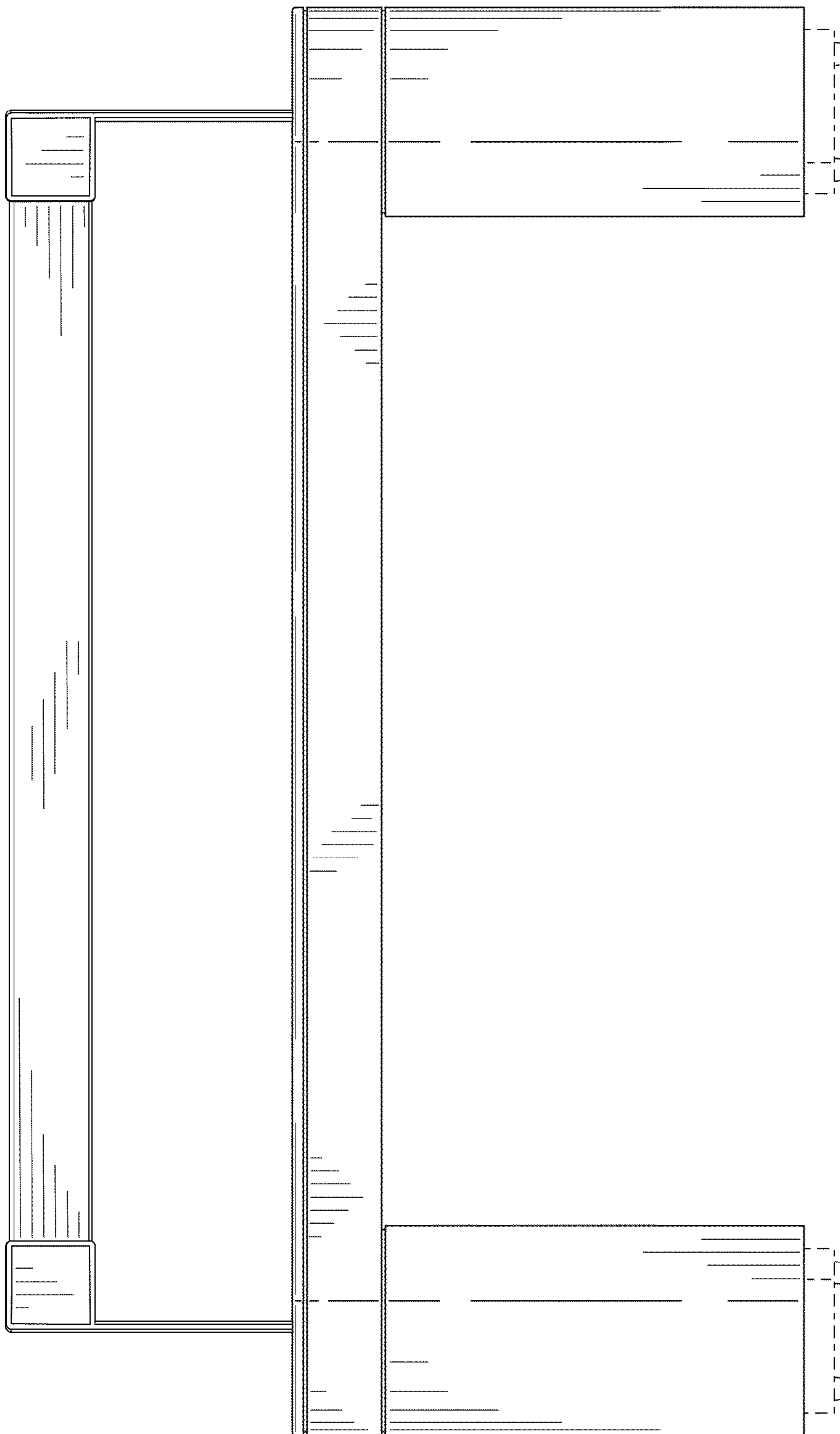


FIG. 2



FIG. 3



FIG. 4

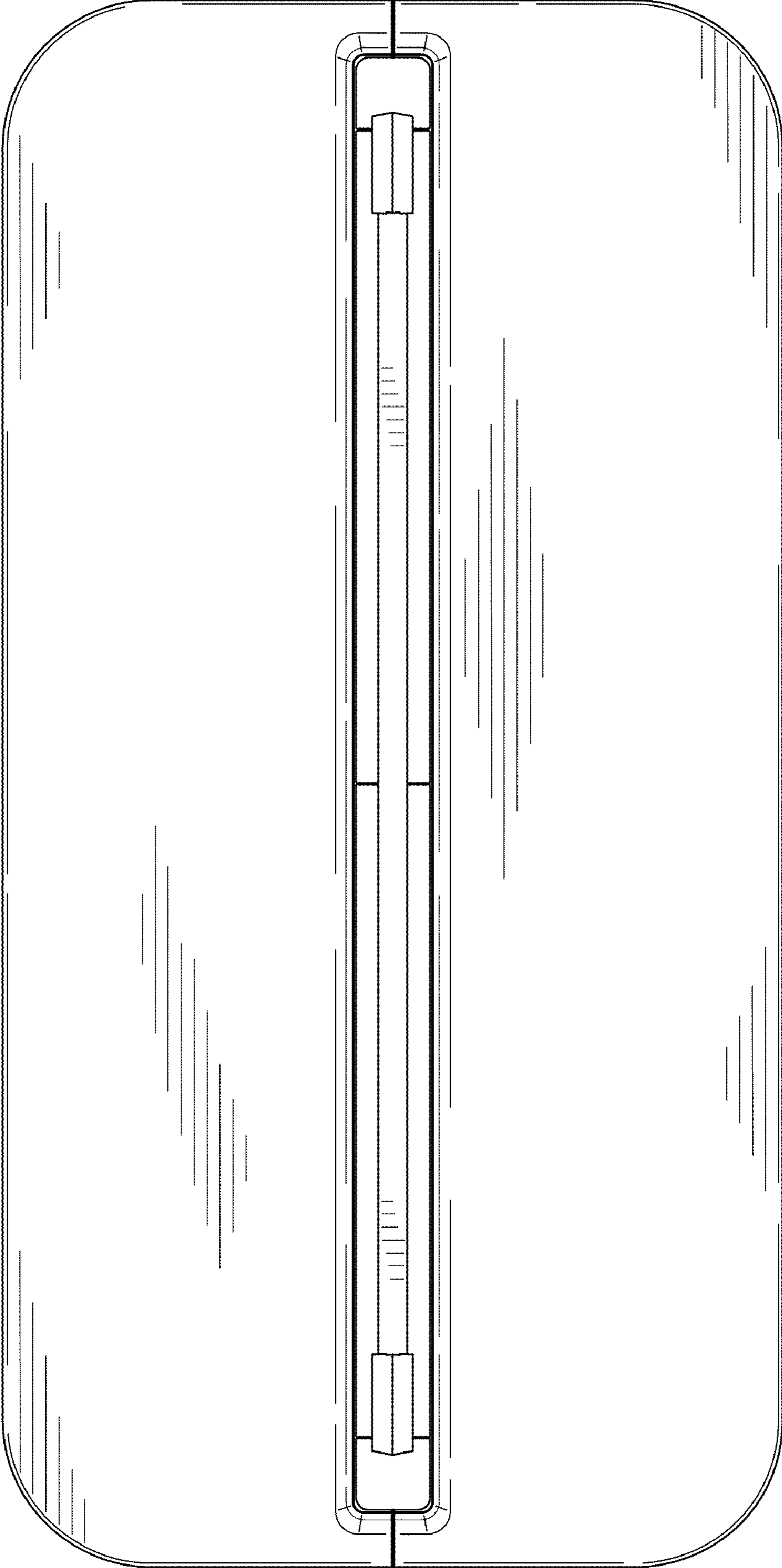


FIG. 5