



US00D591080S

(12) **United States Design Patent**
Greiner

(10) **Patent No.:** **US D591,080 S**
(45) **Date of Patent:** **** Apr. 28, 2009**

(54) **SWIVEL CHARGING STATION**

(75) Inventor: **Lori Greiner**, Chicago, IL (US)

(73) Assignee: **For Your Ease Only, Inc.**, Chicago, IL (US)

(**) Term: **14 Years**

(21) Appl. No.: **29/305,566**

(22) Filed: **Mar. 24, 2008**

(51) **LOC (9) Cl.** **06-04**

(52) **U.S. Cl.** **D6/436**

(58) **Field of Classification Search** D3/315;
D6/397, 425-426, 429, 432-448, 455, 467,
D6/470, 474, 477-480, 484, 559, 629; D23/342;
D99/35; 211/85.2, 95, 163; 232/43.2; 242/559.3;
312/107-108, 114, 138.1, 194, 198, 204,
312/249.2, 249.4, 257.1, 263, 278-279, 293.2,
312/305, 321.5, 334.36, 348.4

See application file for complete search history.

(56) **References Cited**

U.S. PATENT DOCUMENTS

D339,789 S	9/1993	Foster et al.	
D341,503 S *	11/1993	Leonard	D6/467
5,542,758 A *	8/1996	Brown	312/249.2
D387,236 S *	12/1997	Madonna	D6/629
D391,783 S *	3/1998	Neufeld	D6/437
5,900,715 A	5/1999	Roberts	
D483,964 S *	12/2003	Bates	D6/446
D492,860 S *	7/2004	Bertoncini	D6/470
6,894,457 B2	5/2005	Germagian et al.	
D530,118 S *	10/2006	Del Castillo et al.	D6/479
D531,804 S *	11/2006	Pederson et al.	D3/315
D557,517 S *	12/2007	Greiner	D6/432

D557,930 S *	12/2007	Greiner	D6/432
D559,013 S *	1/2008	McLaughlin et al.	D6/479
D569,658 S *	5/2008	Greiner	D6/470
D571,579 S *	6/2008	Greiner	D6/470
2006/0006838 A1	1/2006	Clarke	
2006/0091695 A1	5/2006	MacNeil	
2006/0280519 A1	12/2006	Mori et al.	
2006/0289444 A1	12/2006	Jackson et al.	

* cited by examiner

Primary Examiner—Caron Veynar

Assistant Examiner—Ricky Pham

(74) *Attorney, Agent, or Firm*—Fredrikson & Byron, P.A.

(57) **CLAIM**

I claim the ornamental design for a swivel charging station, as shown and described.

DESCRIPTION

FIG. 1 is a front perspective view of my new design for a swivel charging station;

FIG. 2 is a front perspective view thereof slightly rotated;

FIG. 3 is a front perspective view thereof shown with the lid open;

FIG. 4 is a rear perspective view thereof shown with the back door open;

FIG. 5 is a front elevation view thereof;

FIG. 6 is a left side elevation view thereof;

FIG. 7 is a rear elevation view thereof;

FIG. 8 is a right side elevation view thereof;

FIG. 9 is a top plan view thereof; and,

FIG. 10 is a bottom plan view thereof.

1 Claim, 10 Drawing Sheets

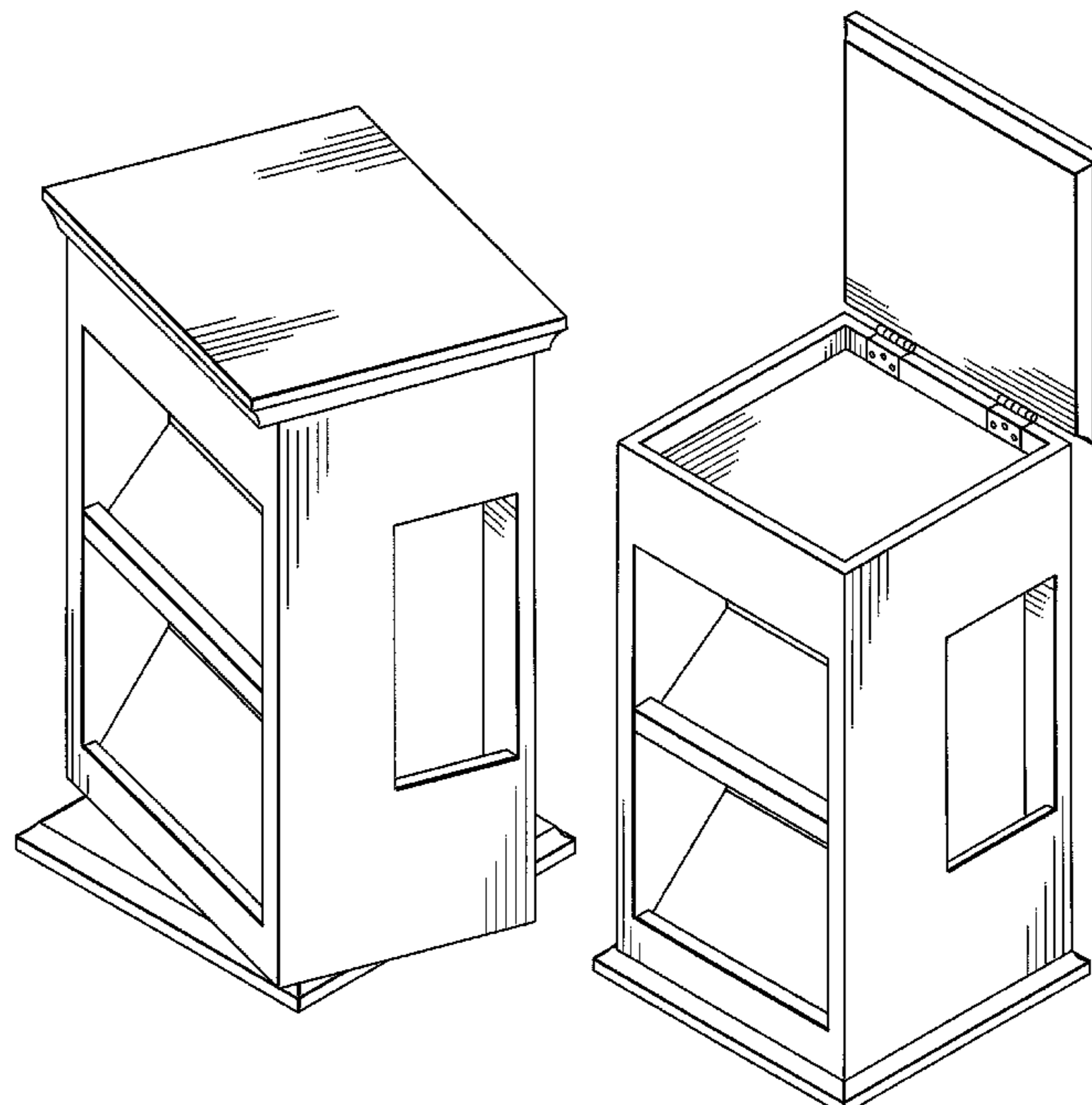


Fig. 1

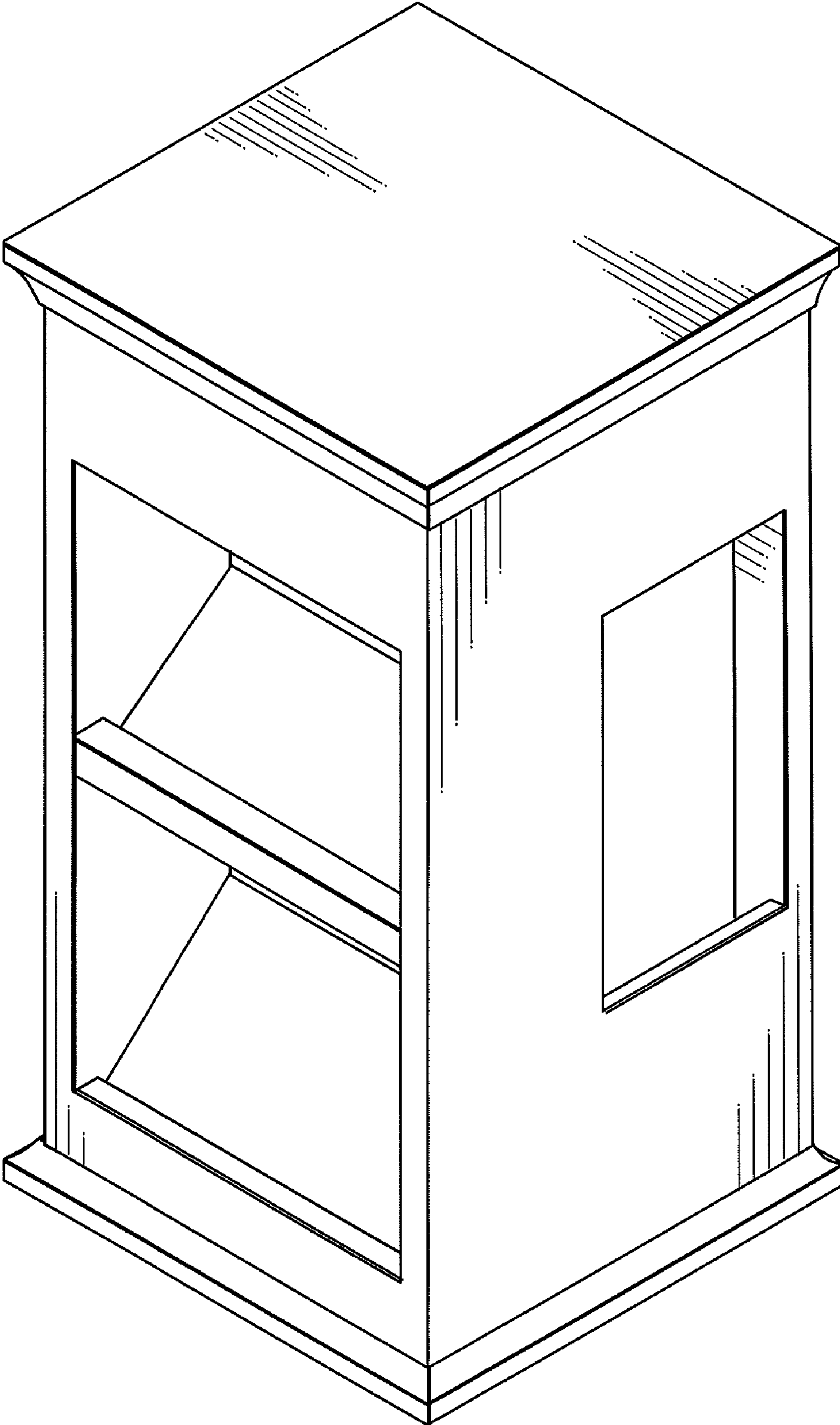


Fig. 2

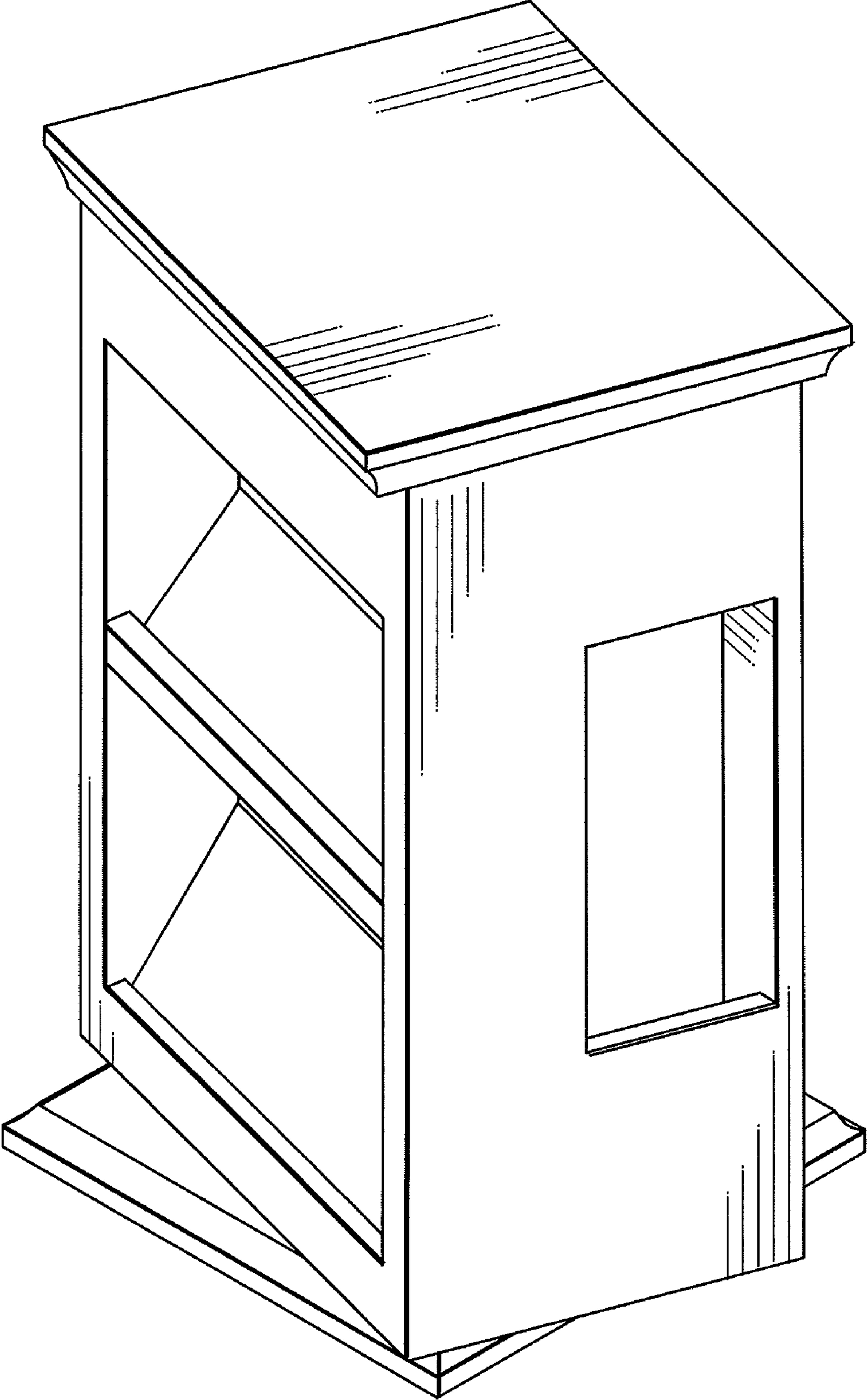


Fig. 3

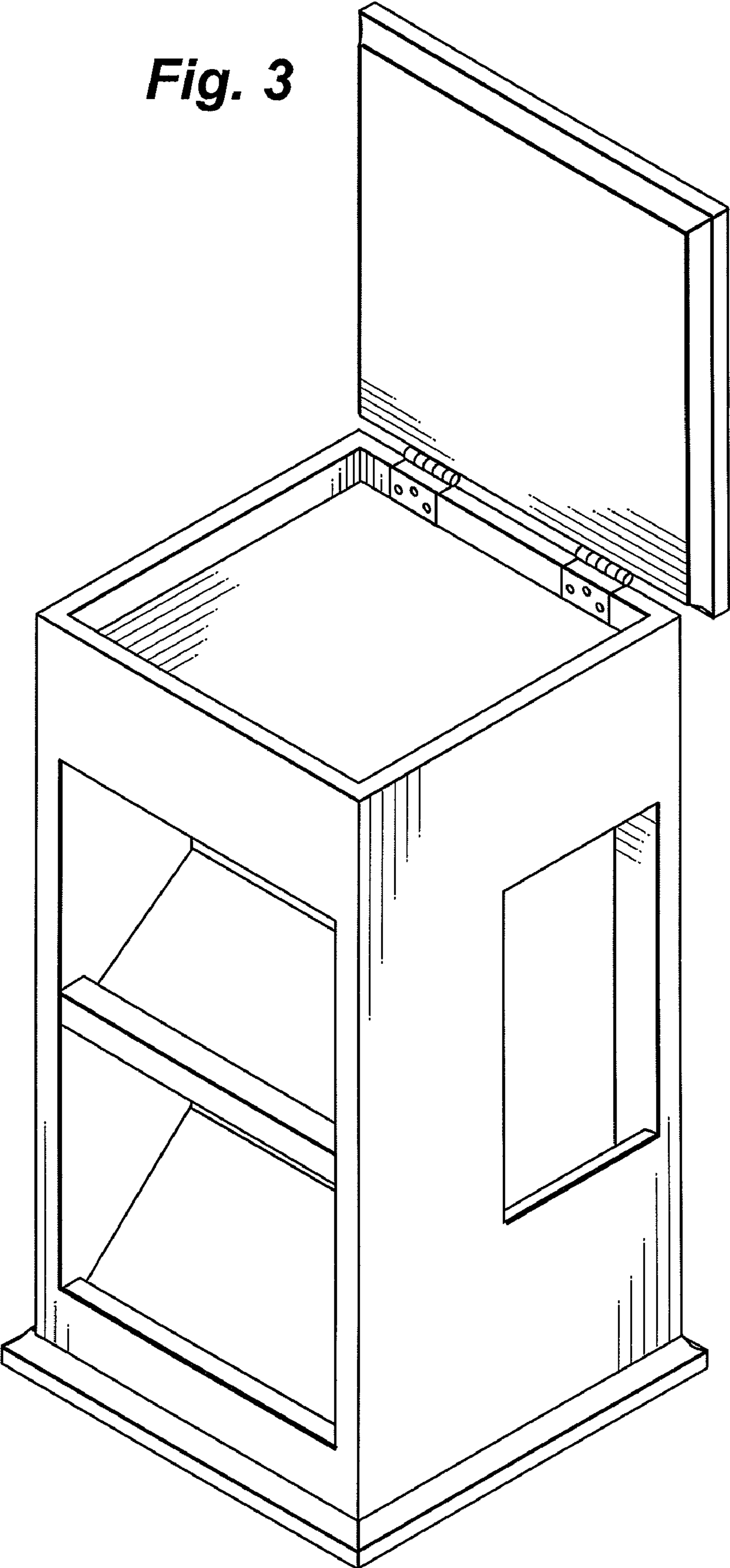


Fig. 4

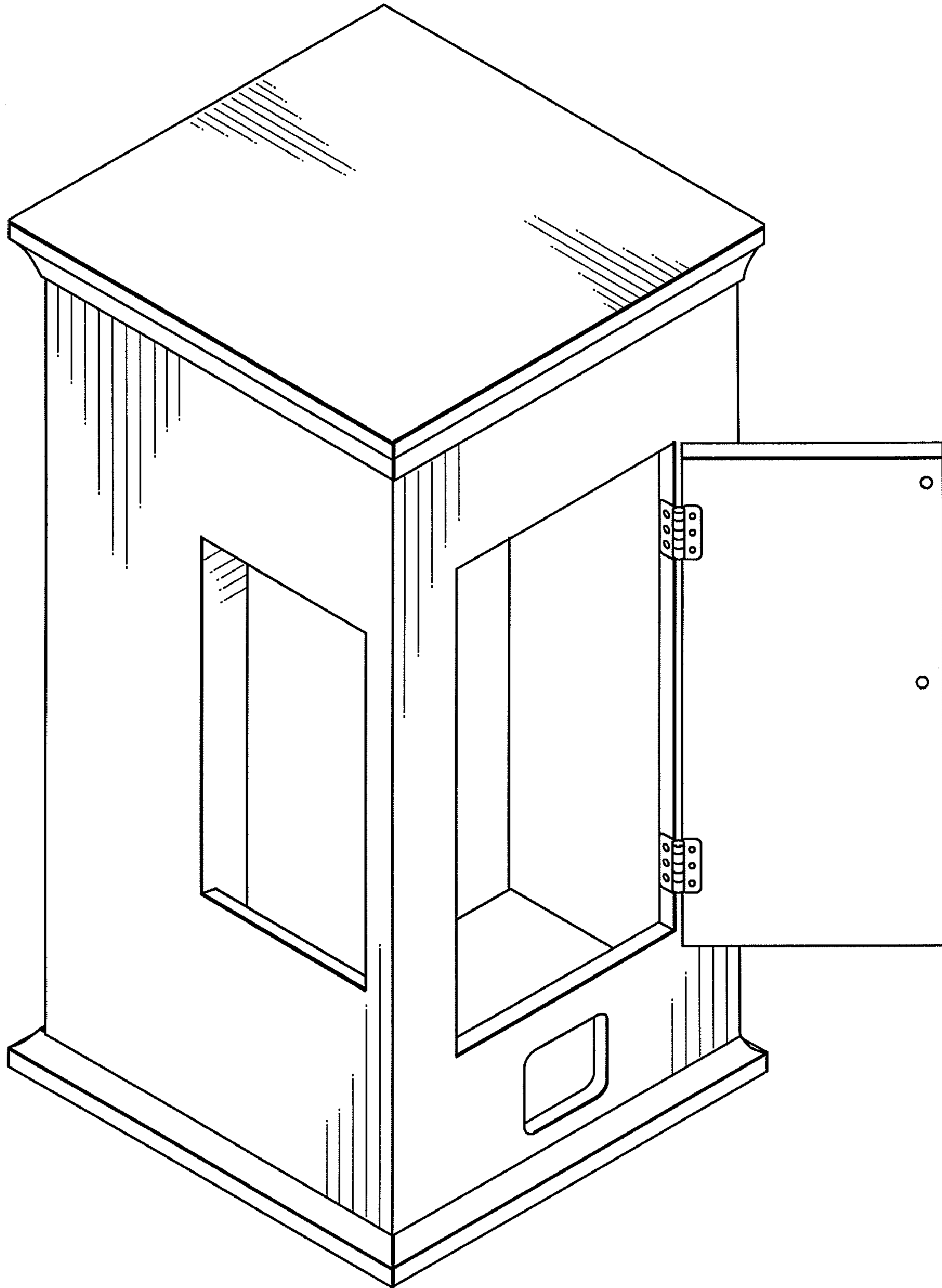


Fig. 5

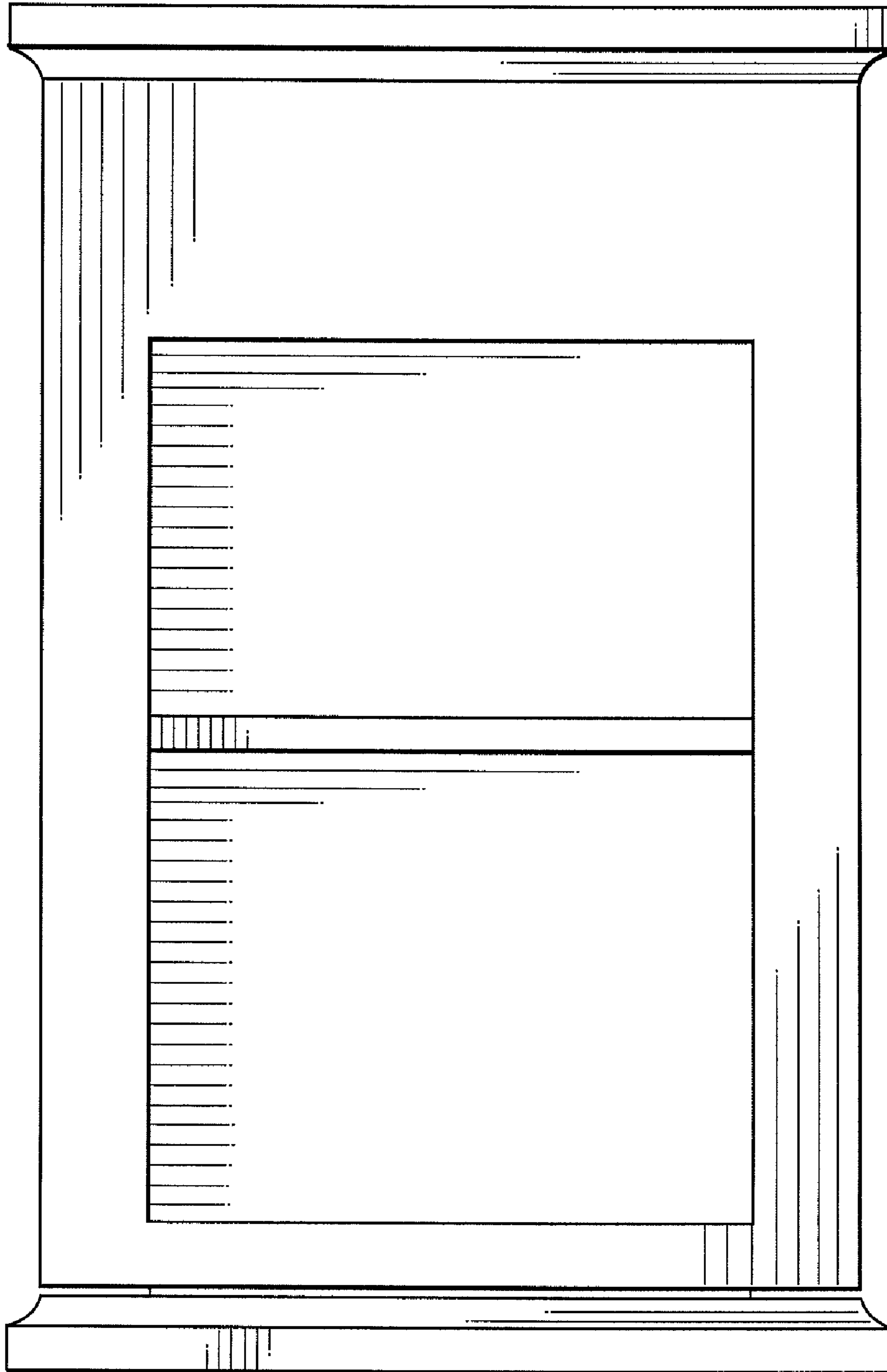


Fig. 6

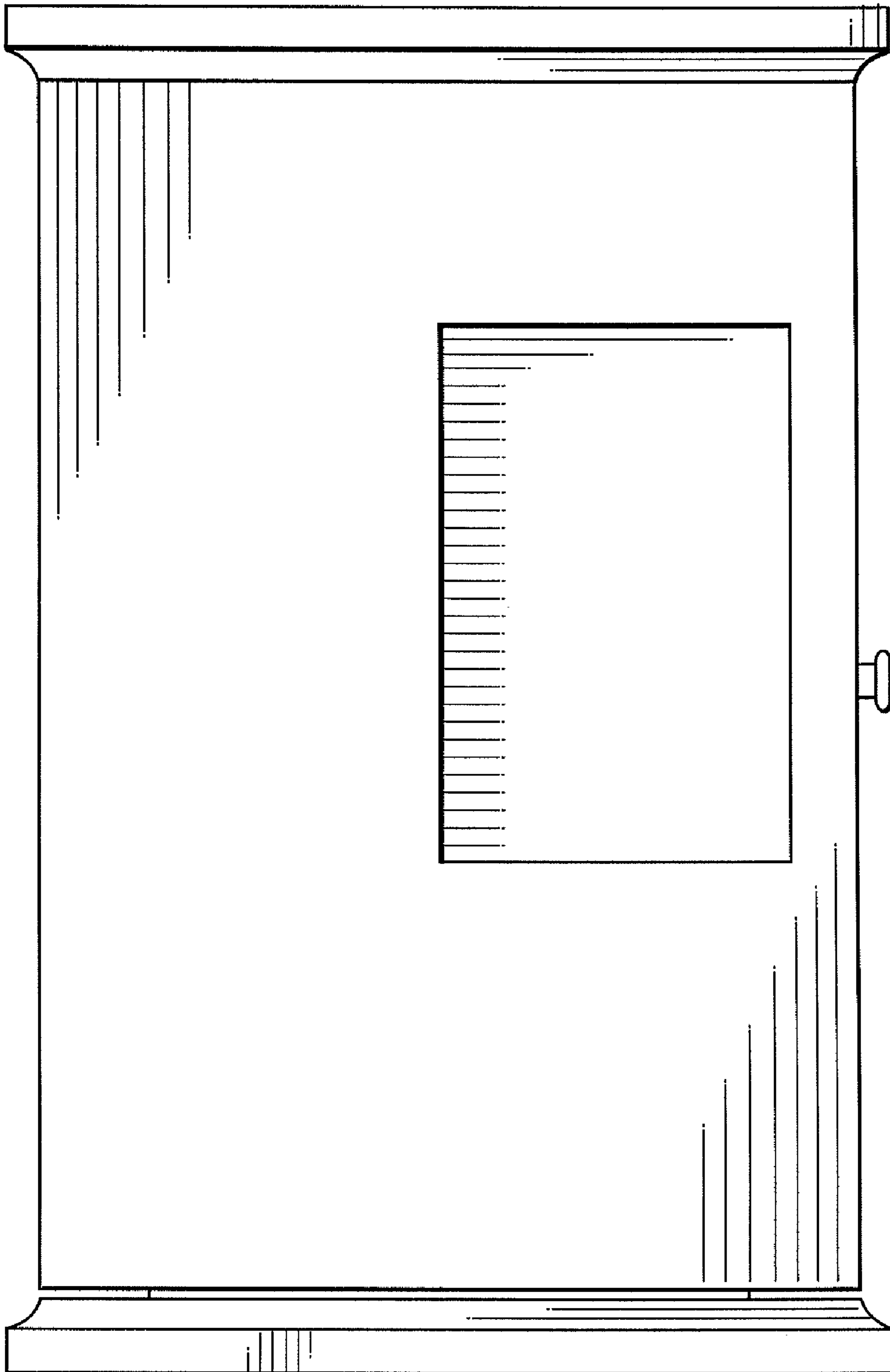


Fig. 7

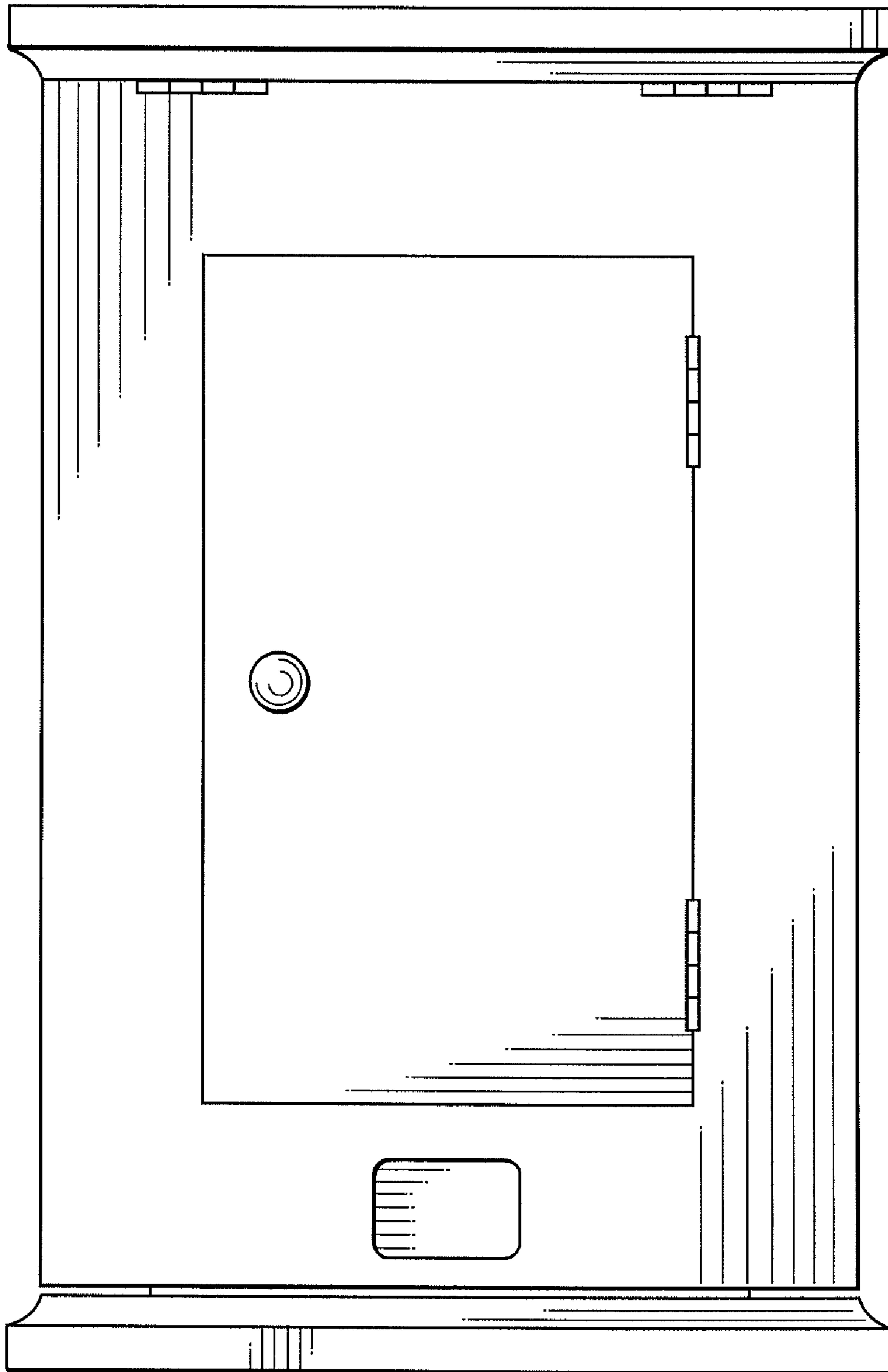


Fig. 8

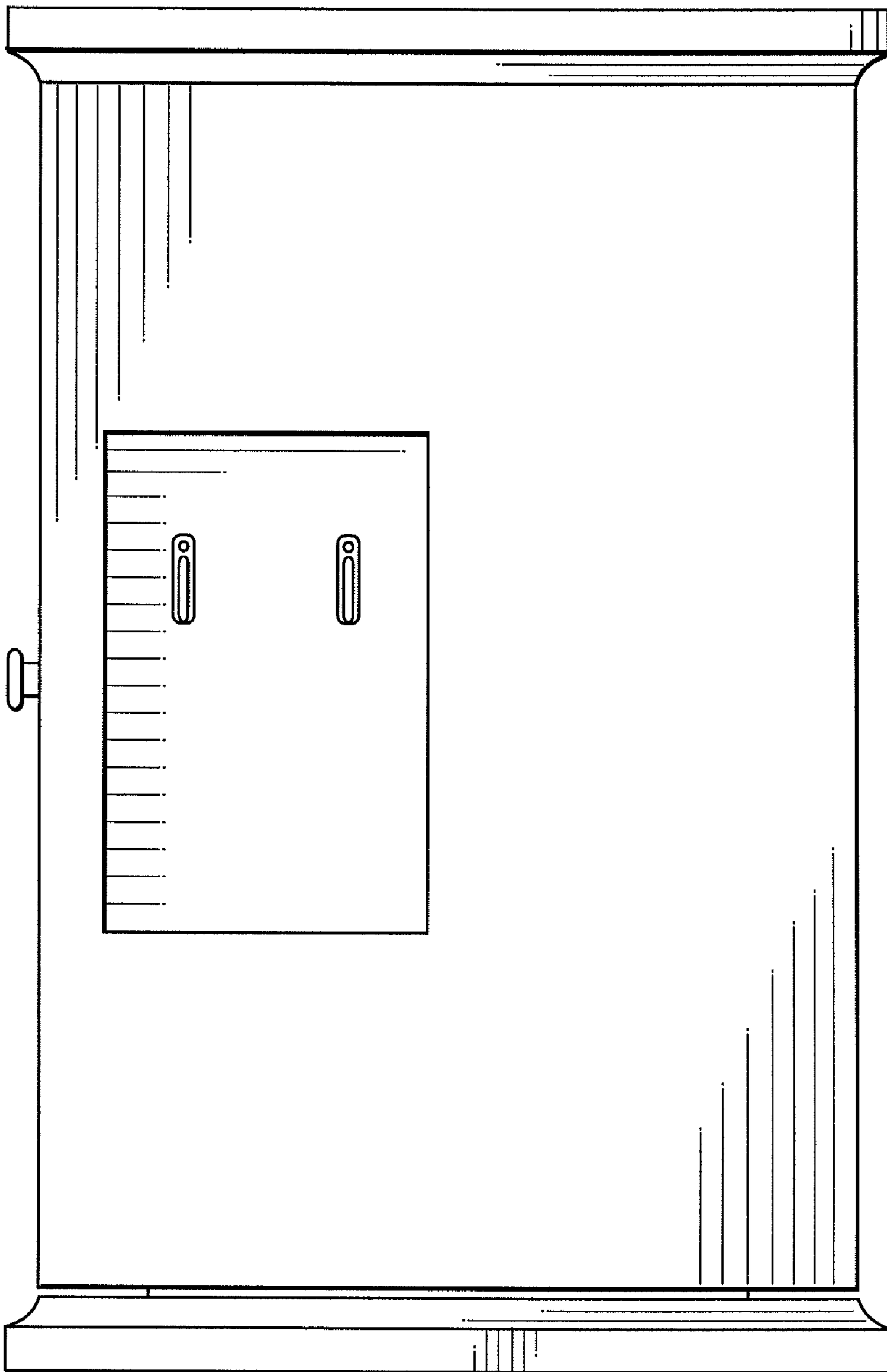


Fig. 9

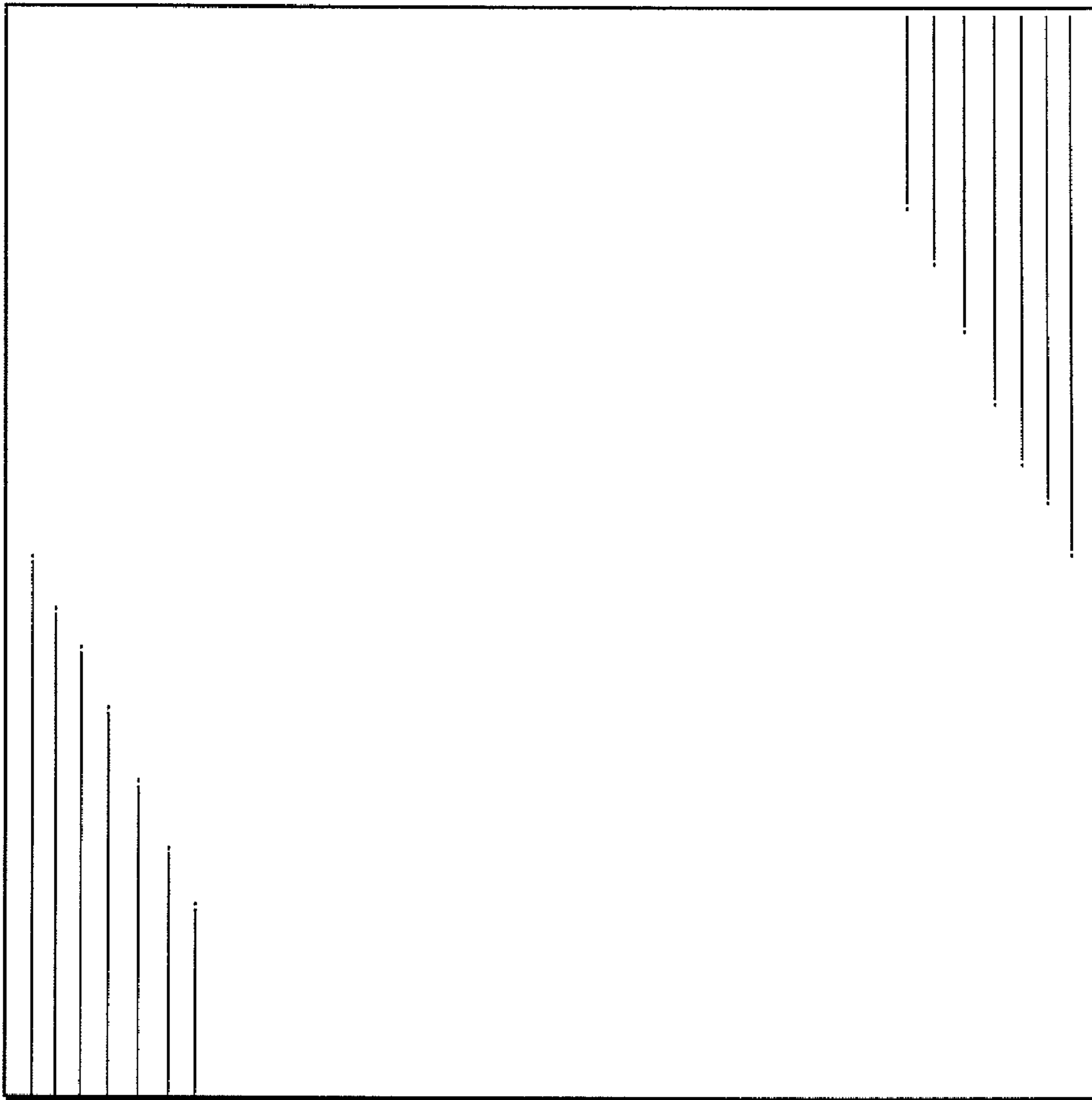


Fig. 10

