



US00D591075S

(12) **United States Design Patent**  
**Gadzinski et al.**

(10) **Patent No.:** **US D591,075 S**  
(45) **Date of Patent:** **\*\* Apr. 28, 2009**

(54) **WORK STATION**

(75) Inventors: **Ryan D. Gadzinski**, Grand Rapids, MI (US); **Zoocy C. Chu**, Grand Rapids, MI (US)

(73) Assignee: **Synergy Product Development, Inc.**, Grand Rapids, MI (US)

(\*\*) Term: **14 Years**

(21) Appl. No.: **29/328,899**

(22) Filed: **Dec. 3, 2008**

**Related U.S. Application Data**

(62) Division of application No. 29/298,870, filed on Dec. 14, 2007, now Pat. No. Des. 584,074.

(51) **LOC (9) Cl.** ..... **06-04**

(52) **U.S. Cl.** ..... **D6/426**

(58) **Field of Classification Search** ..... D6/480,  
D6/469, 466, 449, 429, 426, 396, 300, 419,  
D6/474, 464, 425; D7/601; D34/17; D28/73;  
D20/10; D17/99; D14/307, 302, 130; 84/327;  
312/194-196; 108/50.01, 92, 115, 116; 52/239  
See application file for complete search history.

(56) **References Cited**

**U.S. PATENT DOCUMENTS**

D288,157 S *	2/1987	Sandor	.....	D6/474
5,129,715 A	7/1992	Maynard		
5,460,101 A	10/1995	Garbutt et al.		
5,666,887 A	9/1997	Grabowski et al.		
D394,965 S *	6/1998	Fang	.....	D6/474
5,791,751 A	8/1998	Meyer et al.		
5,970,662 A	10/1999	Corcorran et al.		
5,979,118 A	11/1999	Gortsema et al.		
6,012,788 A	1/2000	Marschand et al.		
6,024,427 A	2/2000	Underwood et al.		
6,027,093 A	2/2000	Reiher		
D424,772 S *	5/2000	Mullen	.....	D34/17
D428,557 S *	7/2000	Chang	.....	D6/422
D429,580 S *	8/2000	Janowitz	.....	D6/426

6,145,448 A	11/2000	Marschand et al.		
D435,367 S *	12/2000	Tzeng	.....	D6/480
D435,368 S *	12/2000	Tzeng	.....	D6/480
6,247,772 B1	6/2001	Tuttle et al.		
D455,576 S *	4/2002	Tzeng	.....	D6/426
6,378,255 B1	4/2002	Eich et al.		
D456,633 S *	5/2002	Chang	.....	D6/426
D457,012 S *	5/2002	Chang	.....	D6/426
D457,347 S *	5/2002	Luong	.....	D6/426
D459,110 S *	6/2002	Chang	.....	D6/426

(Continued)

*Primary Examiner*—Cathron C Brooks

*Assistant Examiner*—Austin Murphy

(74) *Attorney, Agent, or Firm*—Kane & Co., PLC

(57) **CLAIM**

The ornamental design for a work station, as shown and described.

**DESCRIPTION**

FIG. 1 is an oblique view of the work station illustrating rotatable extensions at each end of a central work surface;

FIG. 2 is a front view of the invention shown in FIG. 1;

FIG. 3 is a back elevation view of the invention shown in FIG. 1;

FIG. 4 is a side elevation view of the invention shown in FIG. 1;

FIG. 5 is an opposite side view of the invention shown in FIG. 1; and

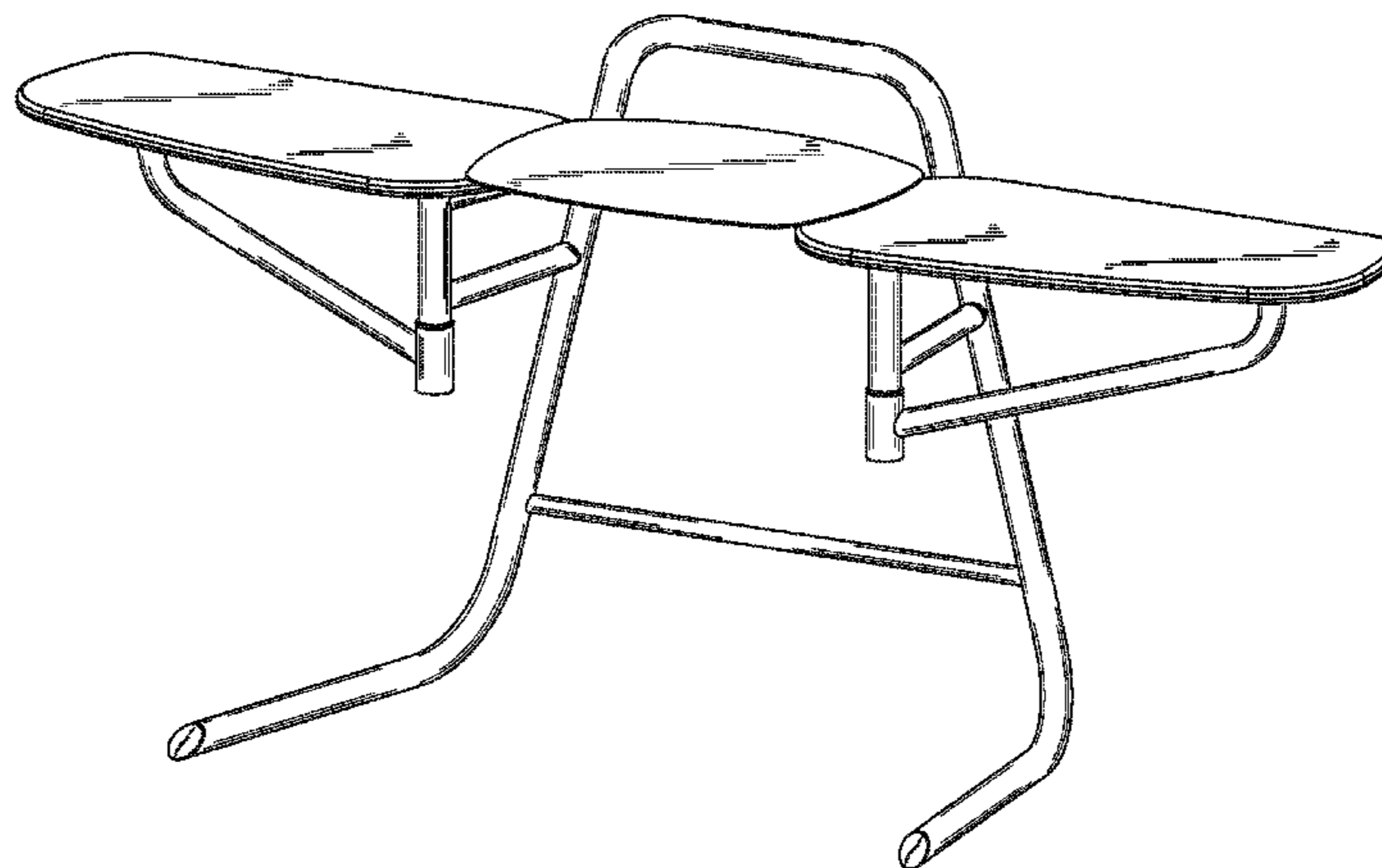
FIG. 6 is a plan view of the invention shown in FIG. 1;

FIG. 7 is a bottom view of the invention shown in FIG. 1;

FIG. 8 is a bottom view of the invention shown in FIG. 1 with one of the wings moved to a second position; and,

FIG. 9 is a bottom view of the invention shown in FIG. 1 with an opposite one of the wings moved to a second position.

**1 Claim, 8 Drawing Sheets**



# US D591,075 S

Page 2

---

## U.S. PATENT DOCUMENTS

6,428,094 B1	8/2002	Ruiter	
D462,194 S *	9/2002	Wang .....	D6/425
6,453,826 B1	9/2002	Fookes et al.	
D464,212 S *	10/2002	Chen .....	D6/425
D464,213 S *	10/2002	Chang .....	D6/426
D464,502 S *	10/2002	Chen .....	D6/425
D469,270 S *	1/2003	Hawang .....	D6/425
D474,043 S *	5/2003	Chang .....	D6/426
D474,921 S *	5/2003	Chen .....	D6/426
6,637,352 B1	10/2003	Thode et al.	
D487,852 S *	3/2004	Chang .....	D6/426
D500,214 S *	12/2004	Chang .....	D6/426
6,848,369 B1	2/2005	King et al.	
6,895,869 B2	5/2005	Lai	
D508,344 S *	8/2005	Hwang .....	D6/425
6,926,278 B2	8/2005	Bibi	
D512,851 S *	12/2005	Chang .....	D6/425
7,032,523 B2	4/2006	Forslund et al.	
7,263,932 B2	9/2007	Winter et al.	

\* cited by examiner

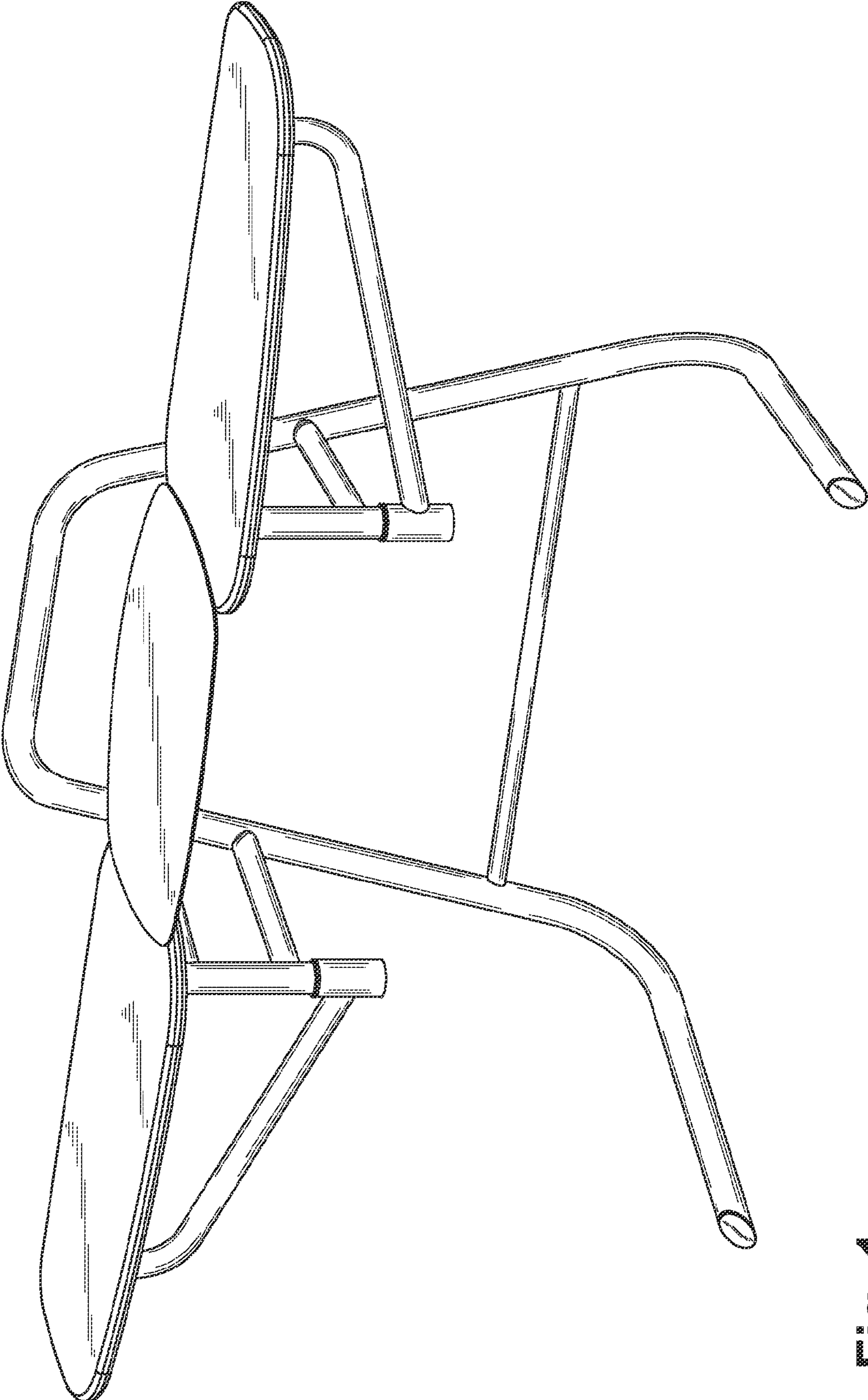


Fig. 1

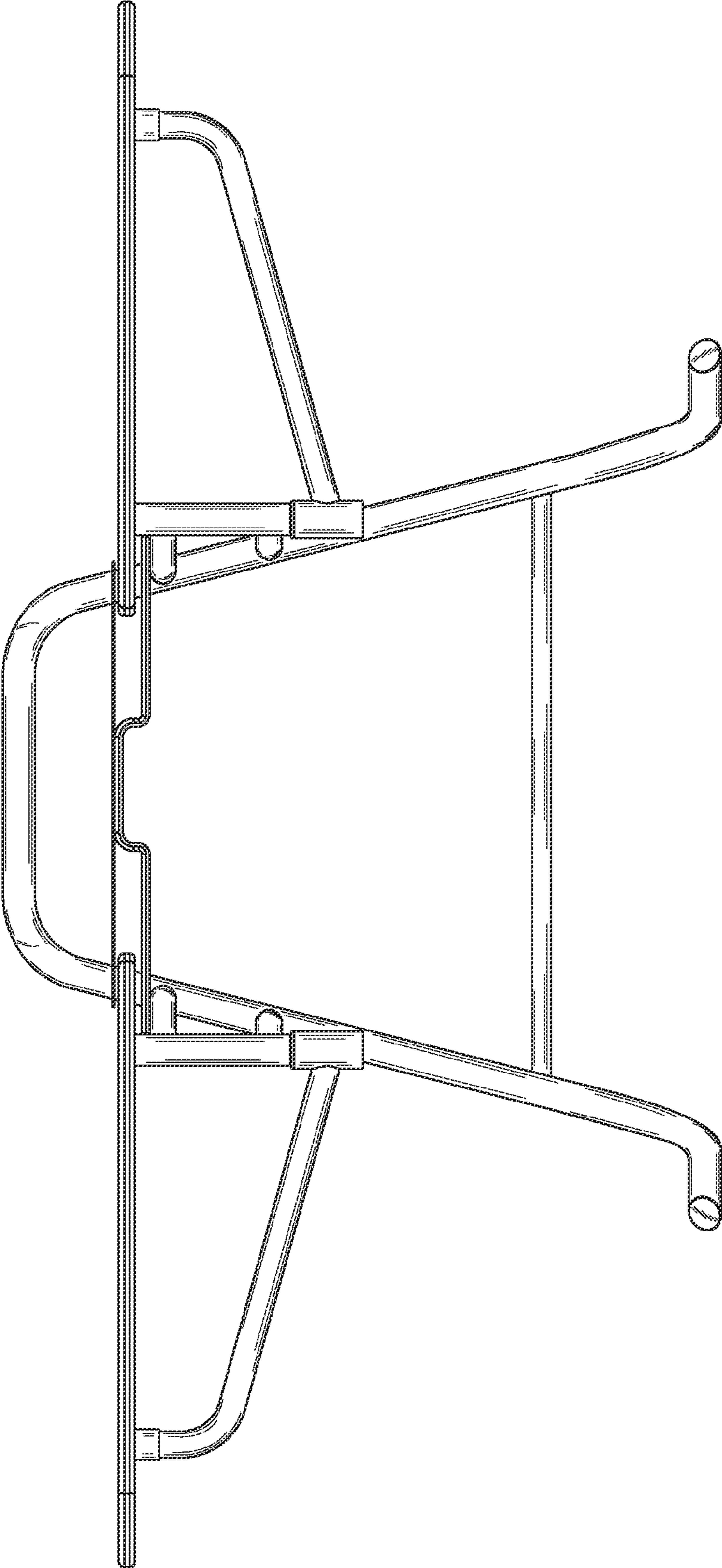


Fig. 2

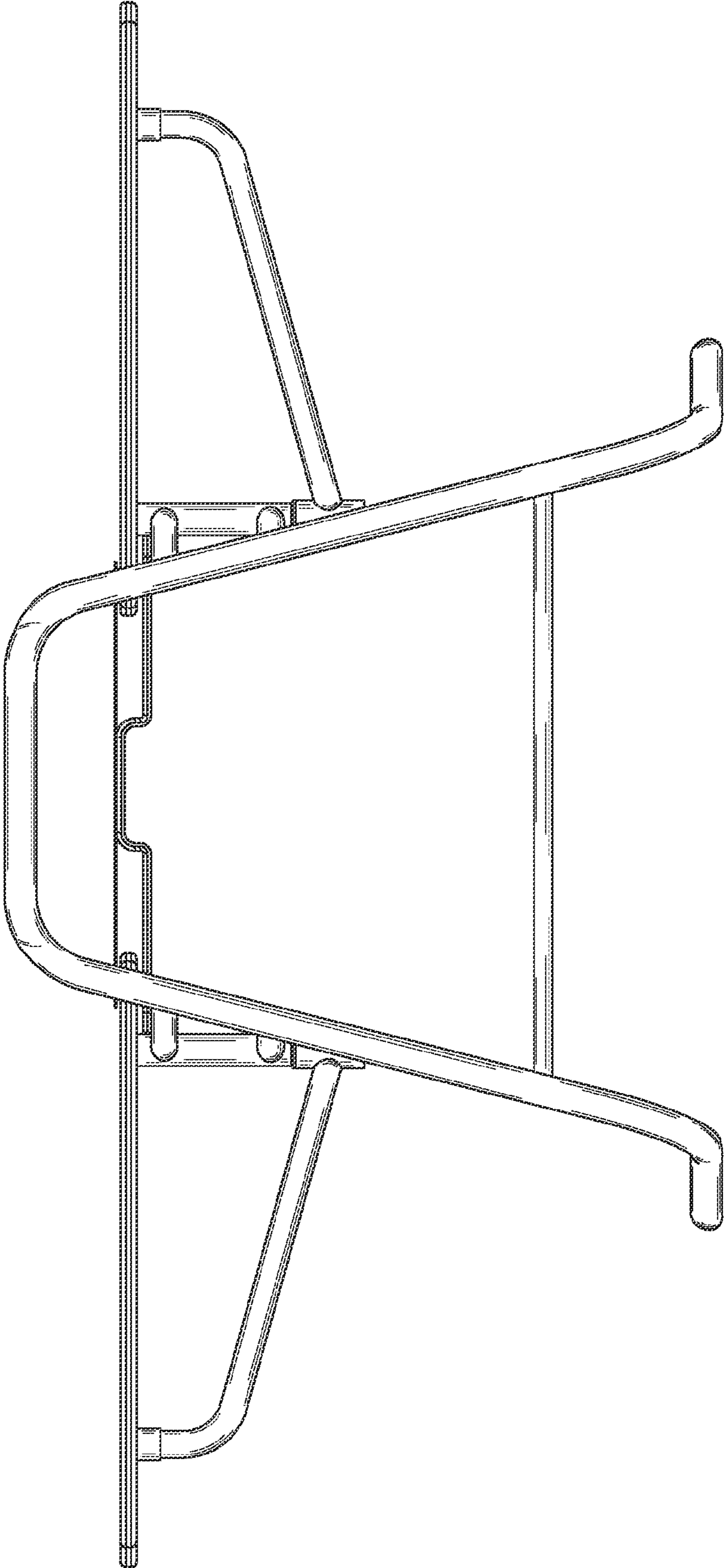


Fig. 3

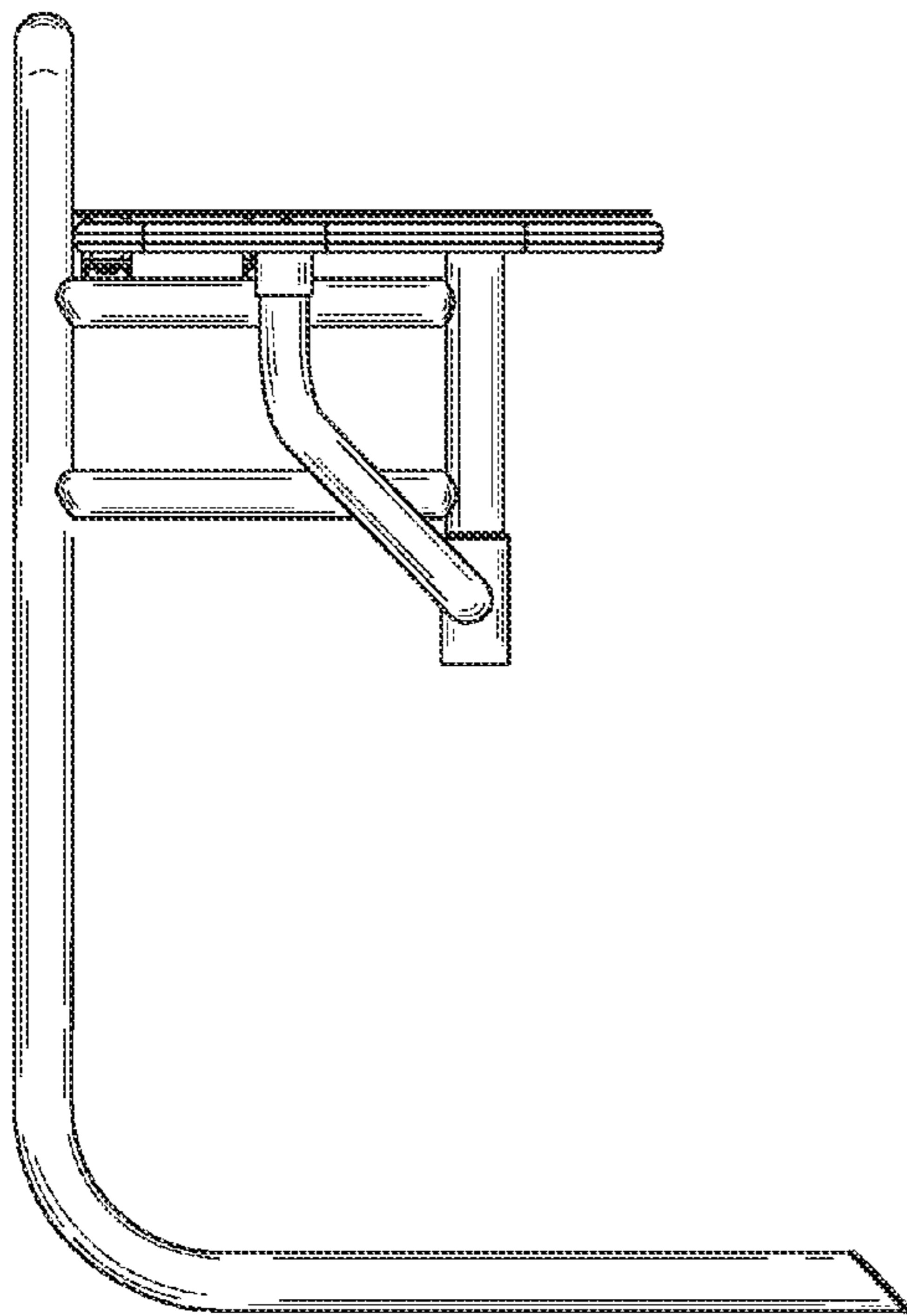


Fig. 4

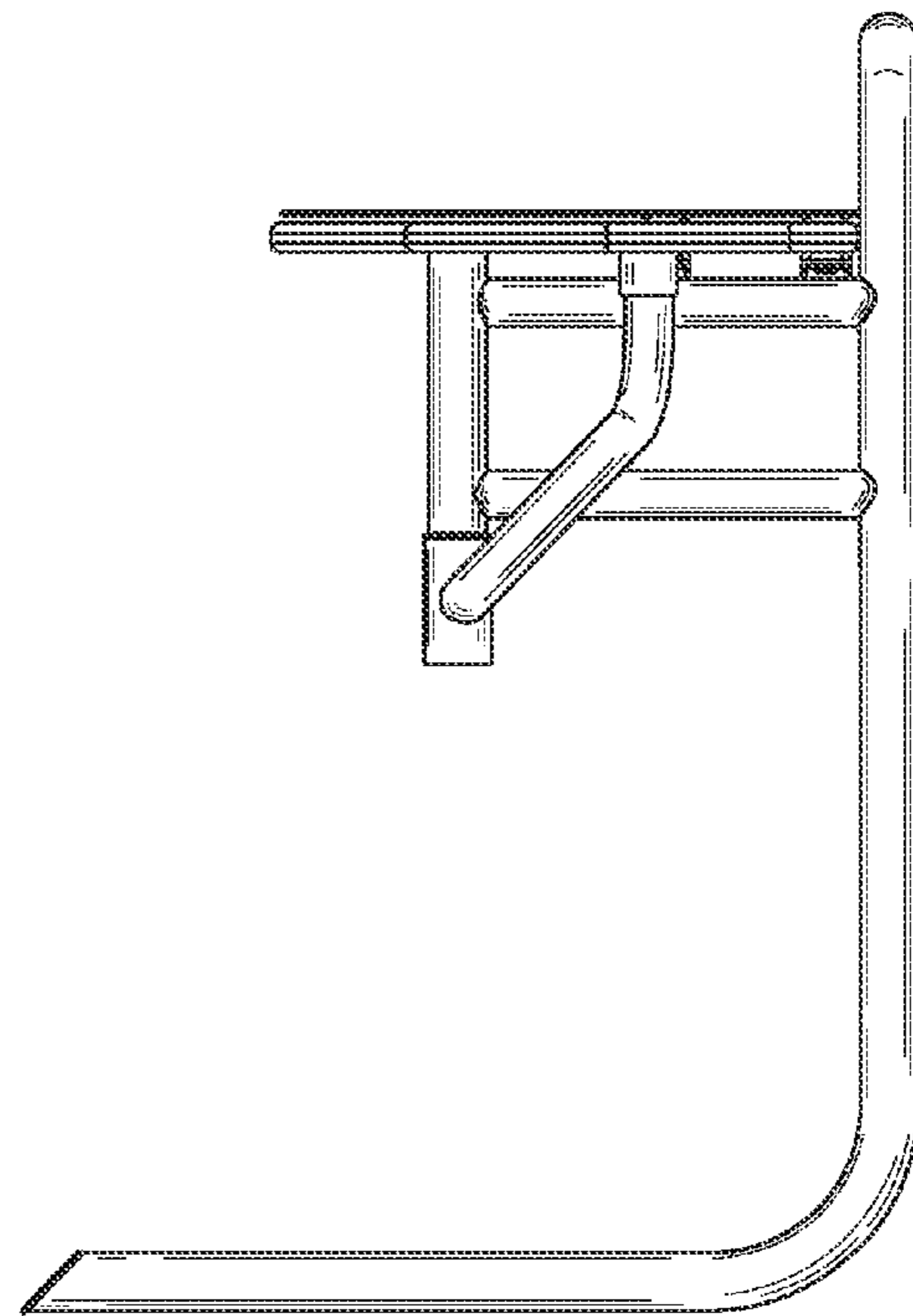


Fig. 5

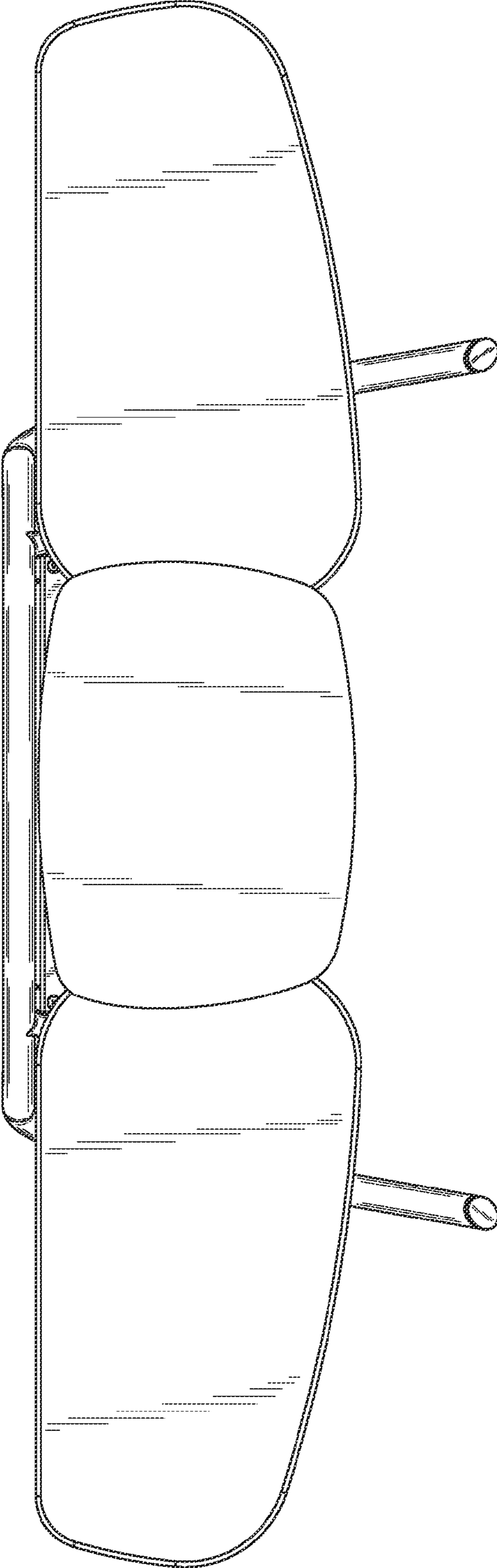


Fig. 6

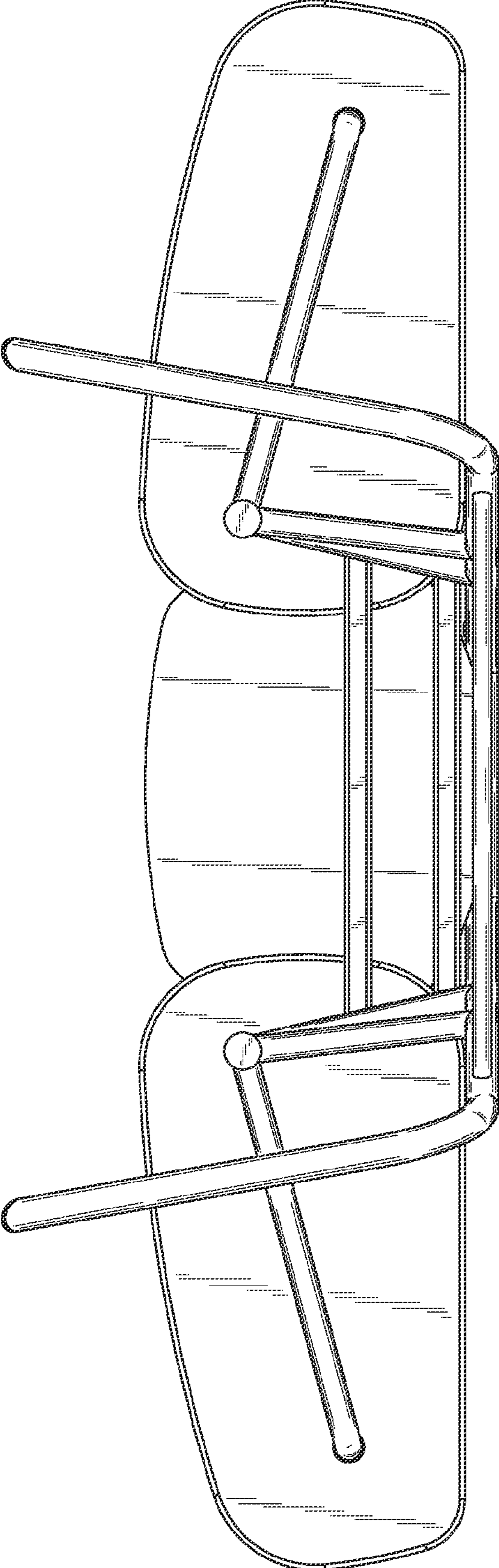


Fig. 7



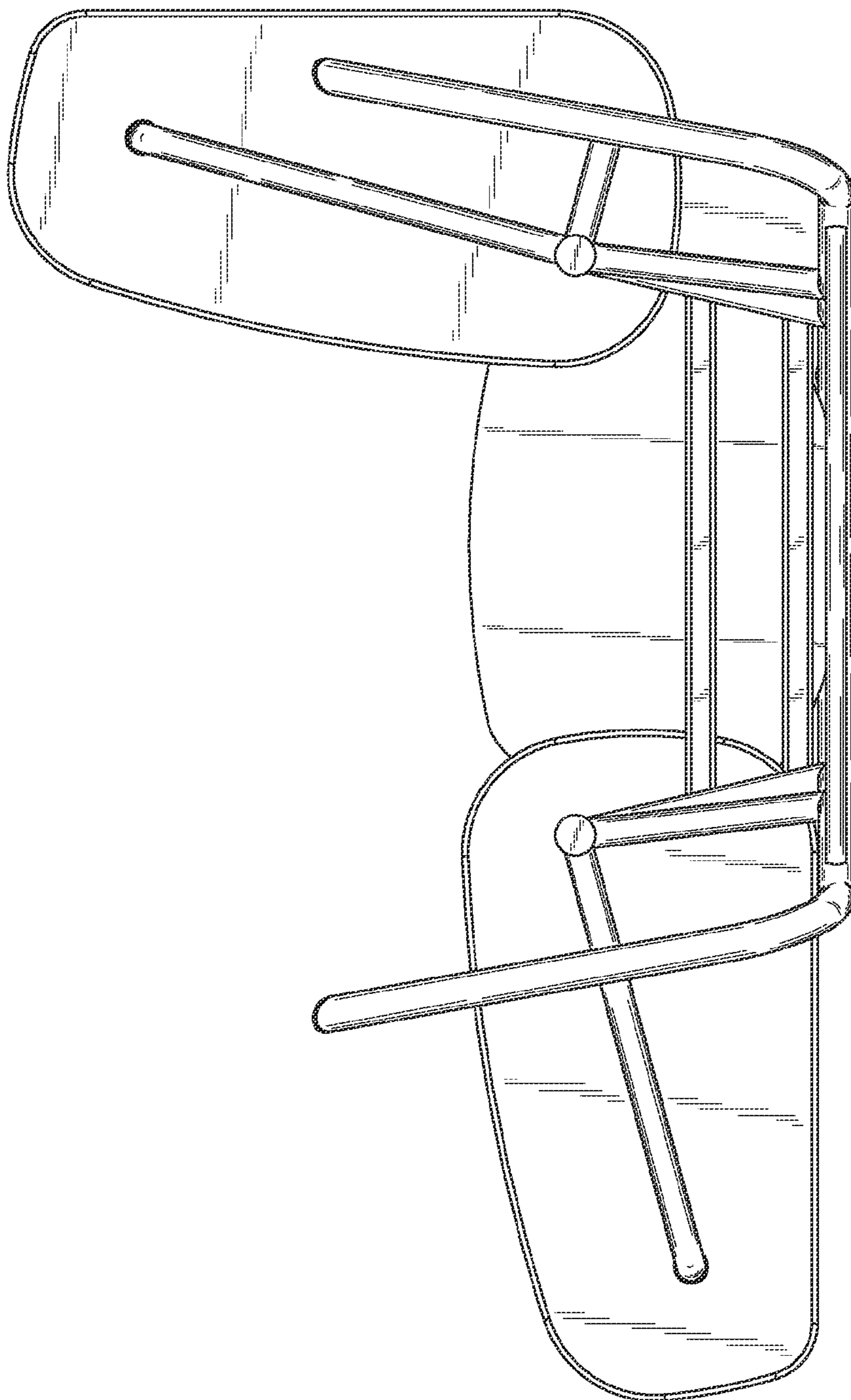


Fig. 8

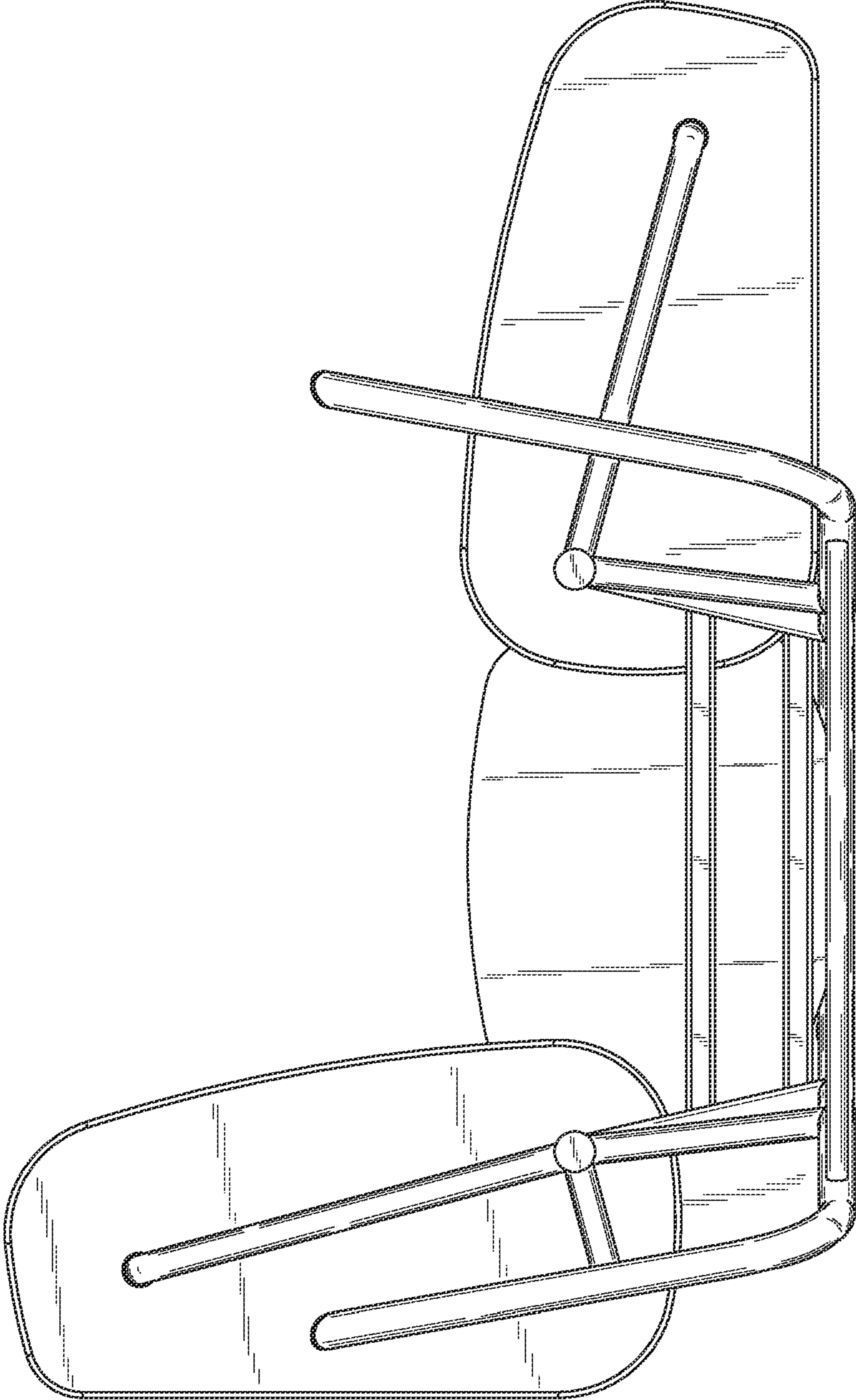


Fig. 9