

US00D591074S

(12) **United States Design Patent**  
**Powers et al.**

(10) **Patent No.:** **US D591,074 S**

(45) **Date of Patent:** **\*\* Apr. 28, 2009**

(54) **HEARING AID STAND**

(75) Inventors: **Rachel Sarah Powers**, Evanston, IL (US); **Wayland Chow**, Chicago, IL (US)

(73) Assignee: **Visde Labs, Inc.**, Evanston, IL (US)

(\*\*) Term: **14 Years**

(21) Appl. No.: **29/320,485**

(22) Filed: **Jun. 27, 2008**

(51) **LOC (9) Cl.** ..... **06-06**

(52) **U.S. Cl.** ..... **D6/406.6**

(58) **Field of Classification Search** ..... D6/477-479, D6/396-397, 449, 462, 464-465, 474-475; D34/12, 14, 20, 21; 108/26, 186-187, 184, 108/189; 211/13.1, 85.8, 26, 26.1, 26.2  
See application file for complete search history.

(56) **References Cited**

U.S. PATENT DOCUMENTS

D289,247	S	*	4/1987	Wang	.....	D7/555
D319,937	S	*	9/1991	Denton	.....	D6/469
5,411,145	A	*	5/1995	Parks	.....	211/50
D385,126	S	*	10/1997	Howland et al.	.....	D6/406.6
D404,219	S	*	1/1999	Patterson	.....	D6/406.6
D428,729	S	*	8/2000	Weitzman et al.	.....	D6/406.6
D436,466	S	*	1/2001	Luong et al.	.....	D6/478
D563,727	S	*	3/2008	Lovett	.....	D7/553.3
D583,123	S	*	12/2008	Cassin, III	.....	D34/27

\* cited by examiner

*Primary Examiner*—Elizabeth A Albert  
*Assistant Examiner*—Kelley A Donnelly  
(74) *Attorney, Agent, or Firm*—Clausen Miller PC

(57) **CLAIM**

The ornamental design for a hearing aid stand, as shown and described.

**DESCRIPTION**

FIG. 1 is a perspective view of a hearing aid stand showing our new design;

FIG. 2 is a top plan view thereof;

FIG. 3 is a right side elevational view thereof;

FIG. 4 is a rear elevational view thereof;

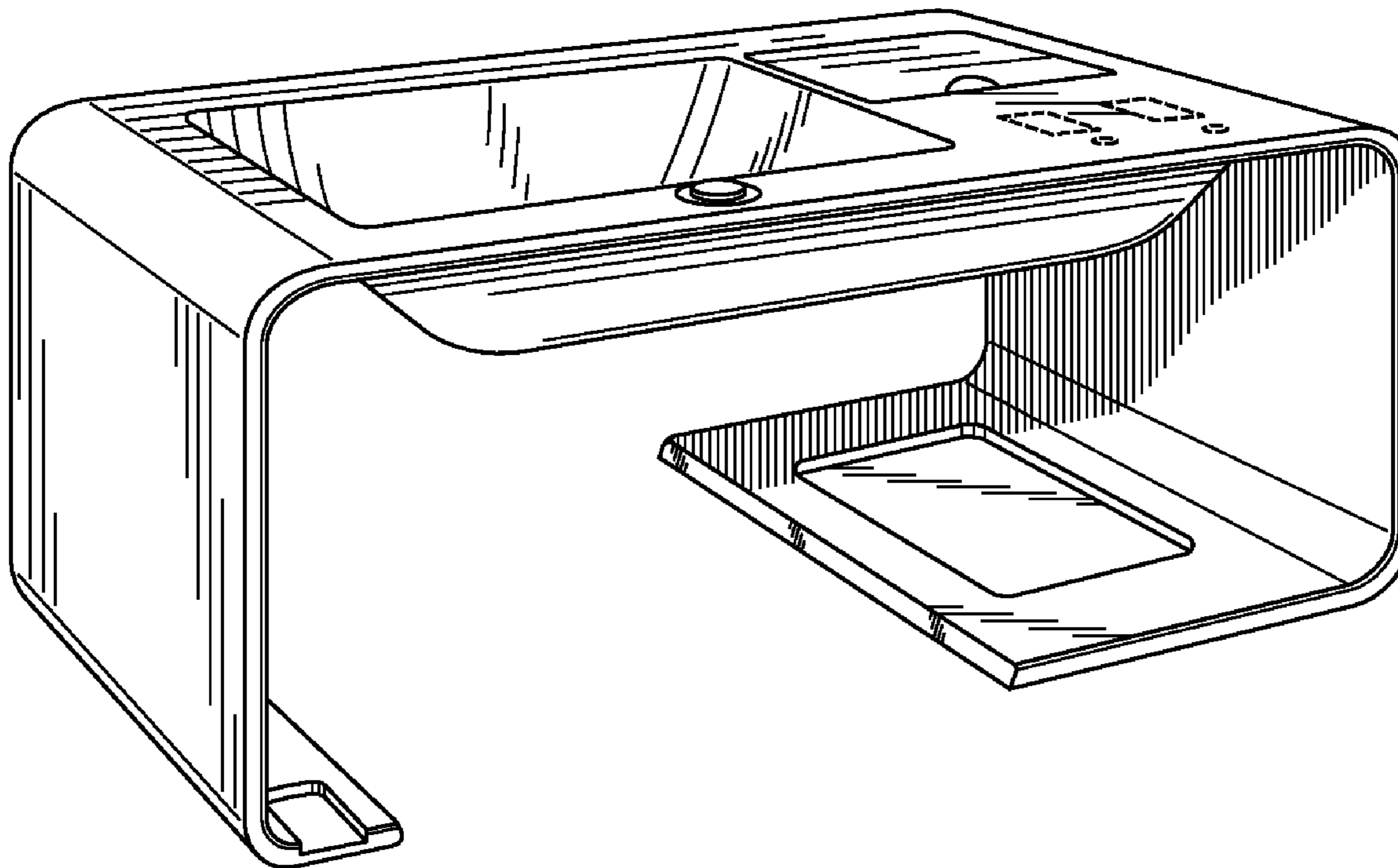
FIG. 5 is a left side elevational view thereof;

FIG. 6 is a bottom plan view thereof; and,

FIG. 7 is a perspective view of the hearing aid stand of FIG. 1, shown with a hearing aid remote control carrying case and a hearing aid cleaning tool in phantom lines.

The broken lines showing a remote control carrying case and a hearing aid cleaning tool in FIG. 7 and attachment features in FIGS. 2, 4, 5, and 6 are for environmental purposes only and form no part of the claimed design.

**1 Claim, 2 Drawing Sheets**



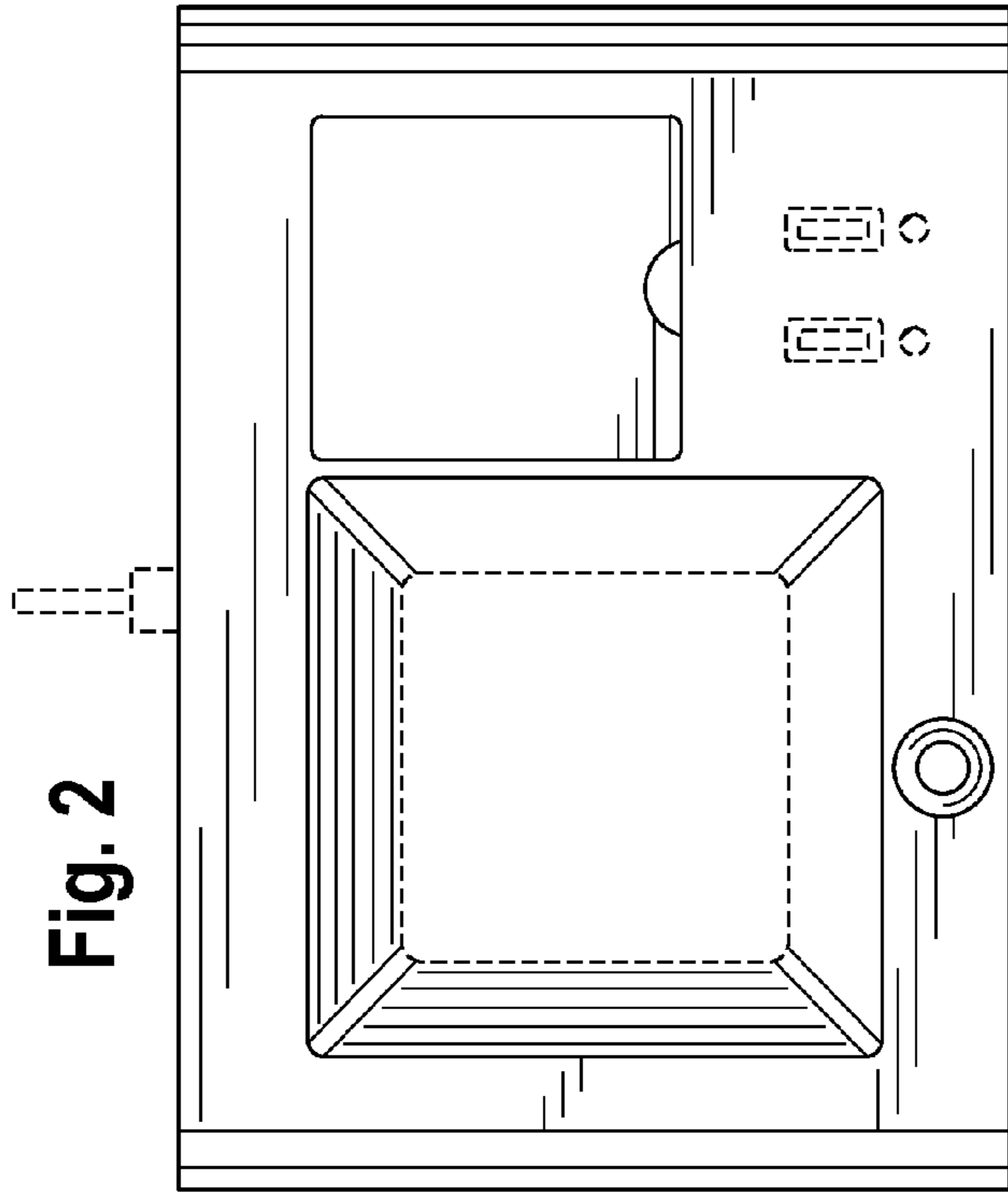


Fig. 2

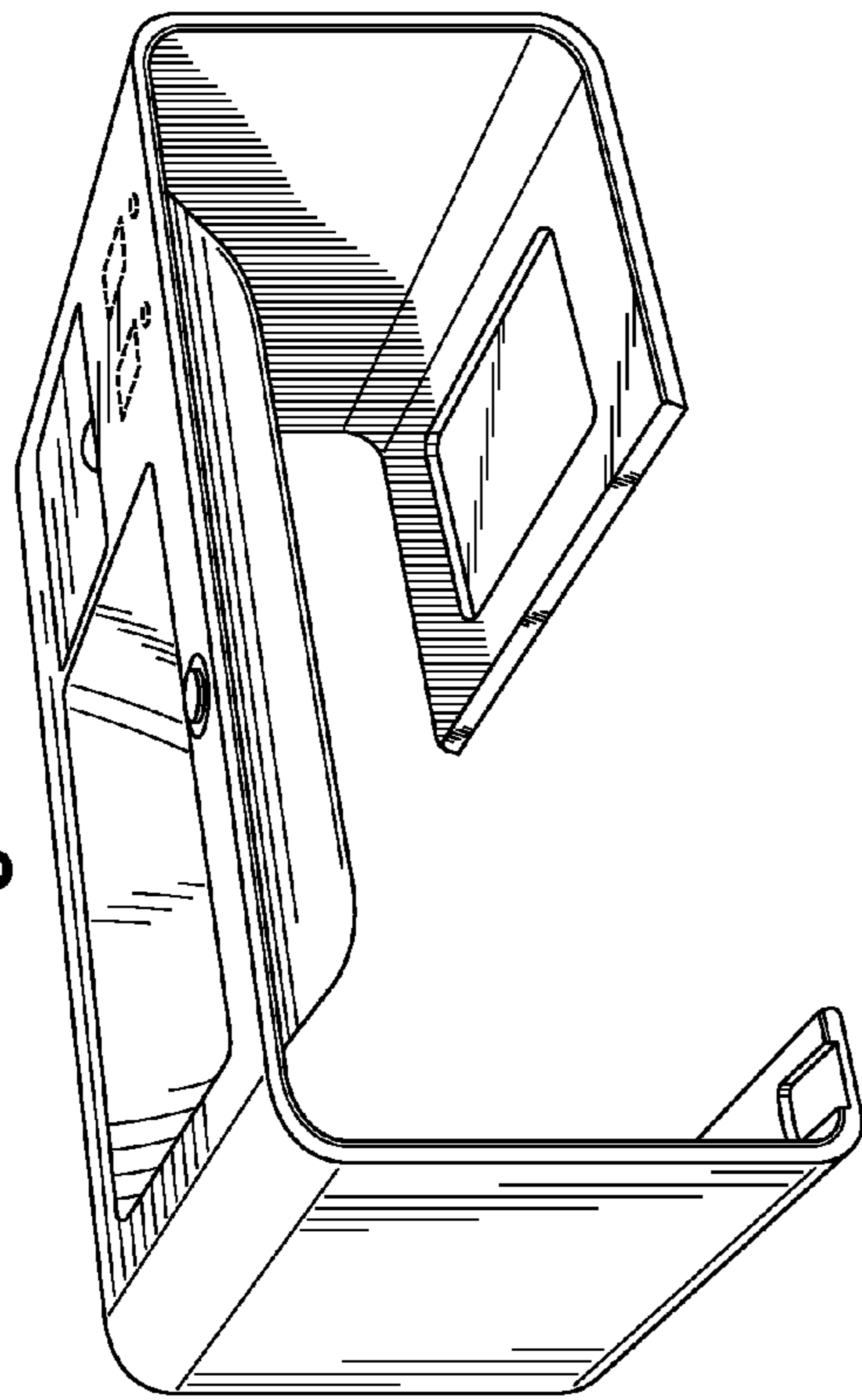


Fig. 1

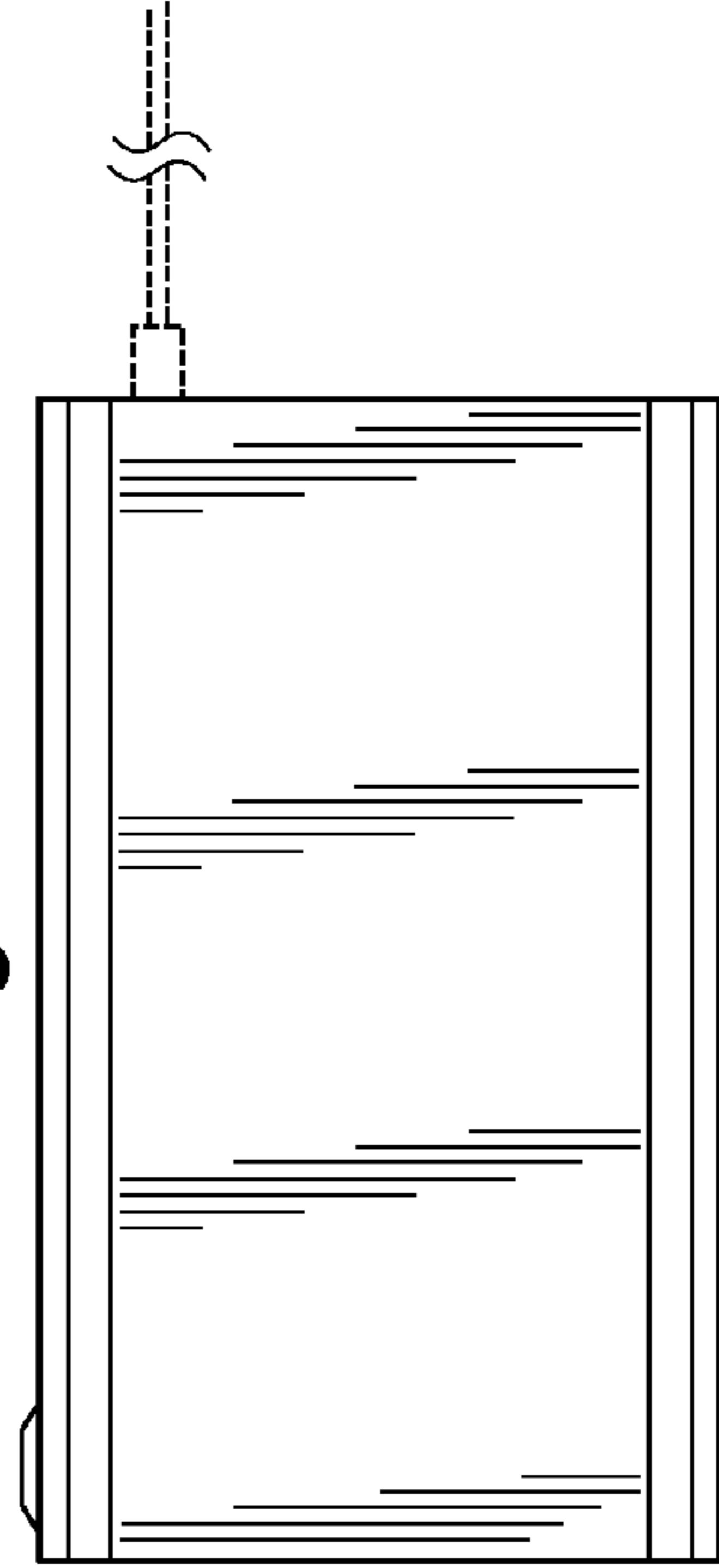


Fig. 4

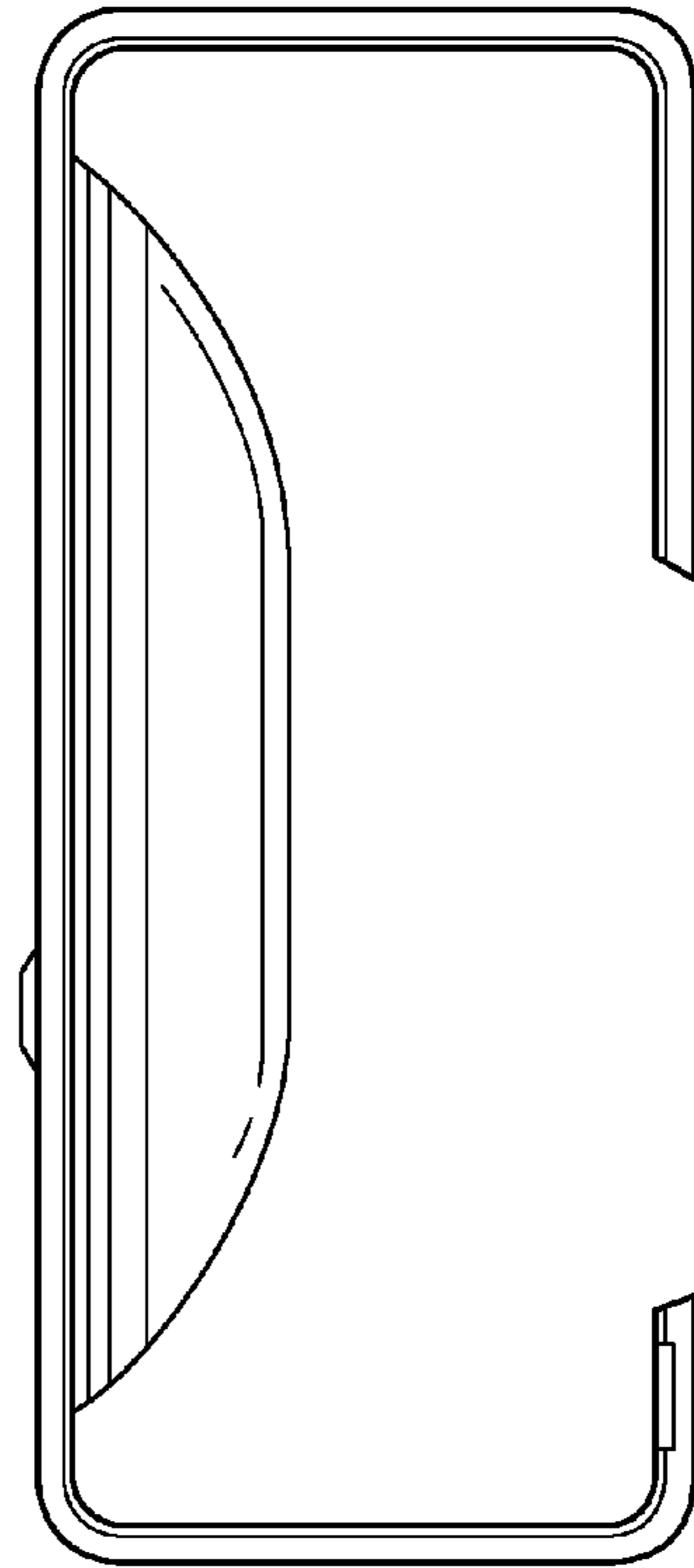


Fig. 3

