



US00D591071S

(12) **United States Design Patent**
Weiss

(10) **Patent No.:** **US D591,071 S**

(45) **Date of Patent:** **** Apr. 28, 2009**

(54) **SOFA**

(75) **Inventor:** **Per Weiss, Randers (DK)**

(73) **Assignee:** **Innovation U.S.A., Inc., Hanover, MD (US)**

(**) **Term:** **14 Years**

(21) **Appl. No.:** **29/324,654**

(22) **Filed:** **Sep. 17, 2008**

(51) **LOC (9) Cl.** **06-01**

(52) **U.S. Cl.** **D6/381**

(58) **Field of Classification Search** D6/334,
D6/335, 349, 353, 368, 371, 377, 381, 382,
D6/383, 500-503; 297/16.1, 16.2, 34, 42,
297/44, 63, 232, 233, 350, 351, 353, 354.1,
297/445.1, 448.1, 448.2; 5/12.1, 12.2
See application file for complete search history.

(56) **References Cited**

U.S. PATENT DOCUMENTS

- D210,454 S * 3/1968 Kagan D6/374
- 4,437,704 A * 3/1984 Hovsepian 297/440.17
- D288,507 S * 3/1987 Evans D6/384
- D321,797 S * 11/1991 Paris D6/381
- D508,615 S * 8/2005 Natuzzi D6/361

- D514,349 S * 2/2006 Natuzzi D6/381
- D555,383 S * 11/2007 Borgonovo D6/381
- D562,022 S * 2/2008 Hackethal et al. D6/381
- D569,648 S * 5/2008 Weiss D6/381

* cited by examiner

Primary Examiner—Sandra Snapp

(74) *Attorney, Agent, or Firm*—Miles & Stockbridge PC;
James T. Carmichael; Michael A. Minter

(57) **CLAIM**

The ornamental design for a sofa, as shown and described.

DESCRIPTION

FIG. 1 is a front right perspective view of the sofa showing the new design;

FIG. 2 is a front left perspective view thereof;

FIG. 3 is a front view thereof;

FIG. 4 is a rear view thereof;

FIG. 5 is a bottom plan view thereof;

FIG. 6 is a top plan view thereof;

FIG. 7 is a right side view thereof; and,

FIG. 8 is a left side view thereof.

The dashed lines shown on the article represent topstitching.

1 Claim, 4 Drawing Sheets

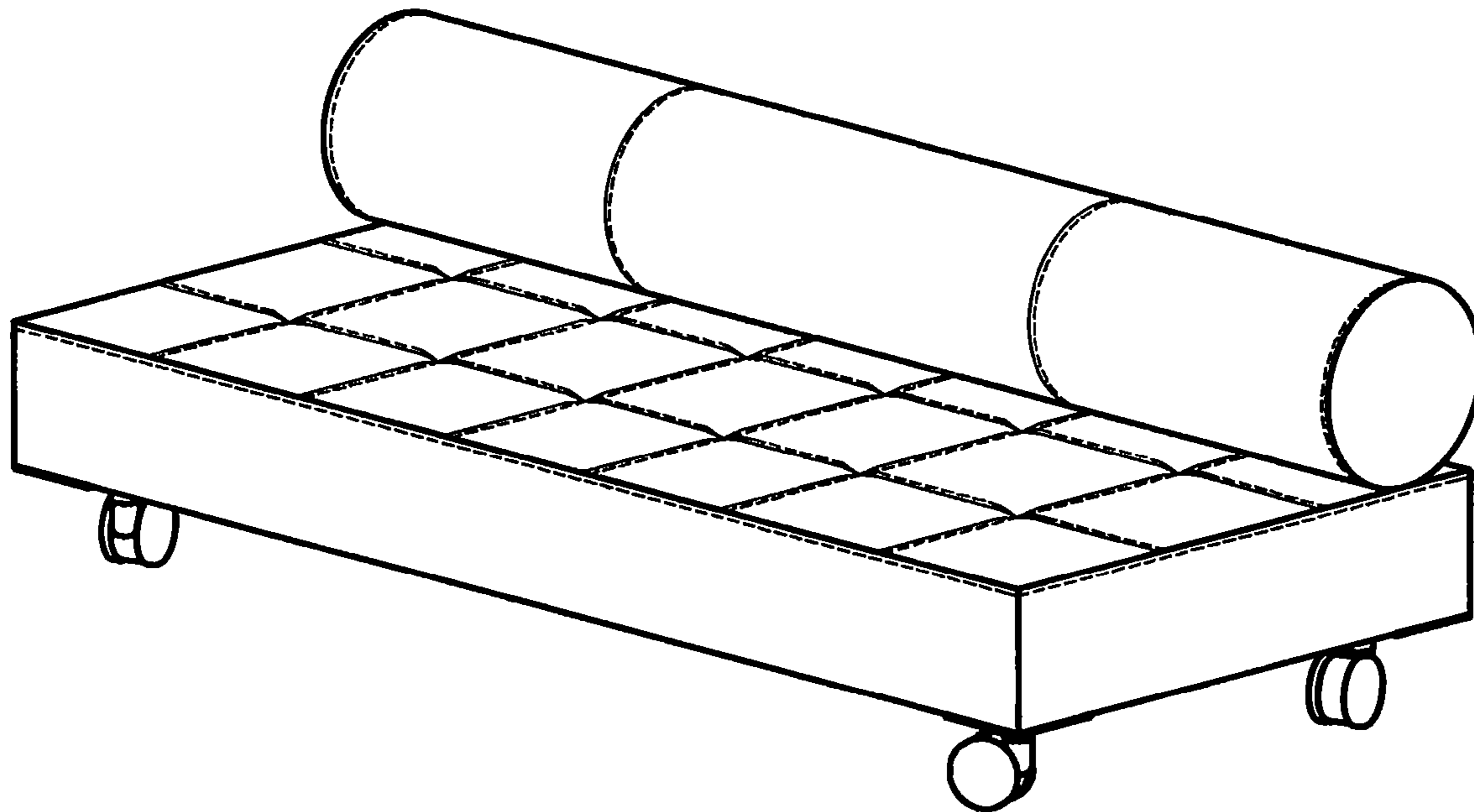


FIG. 1

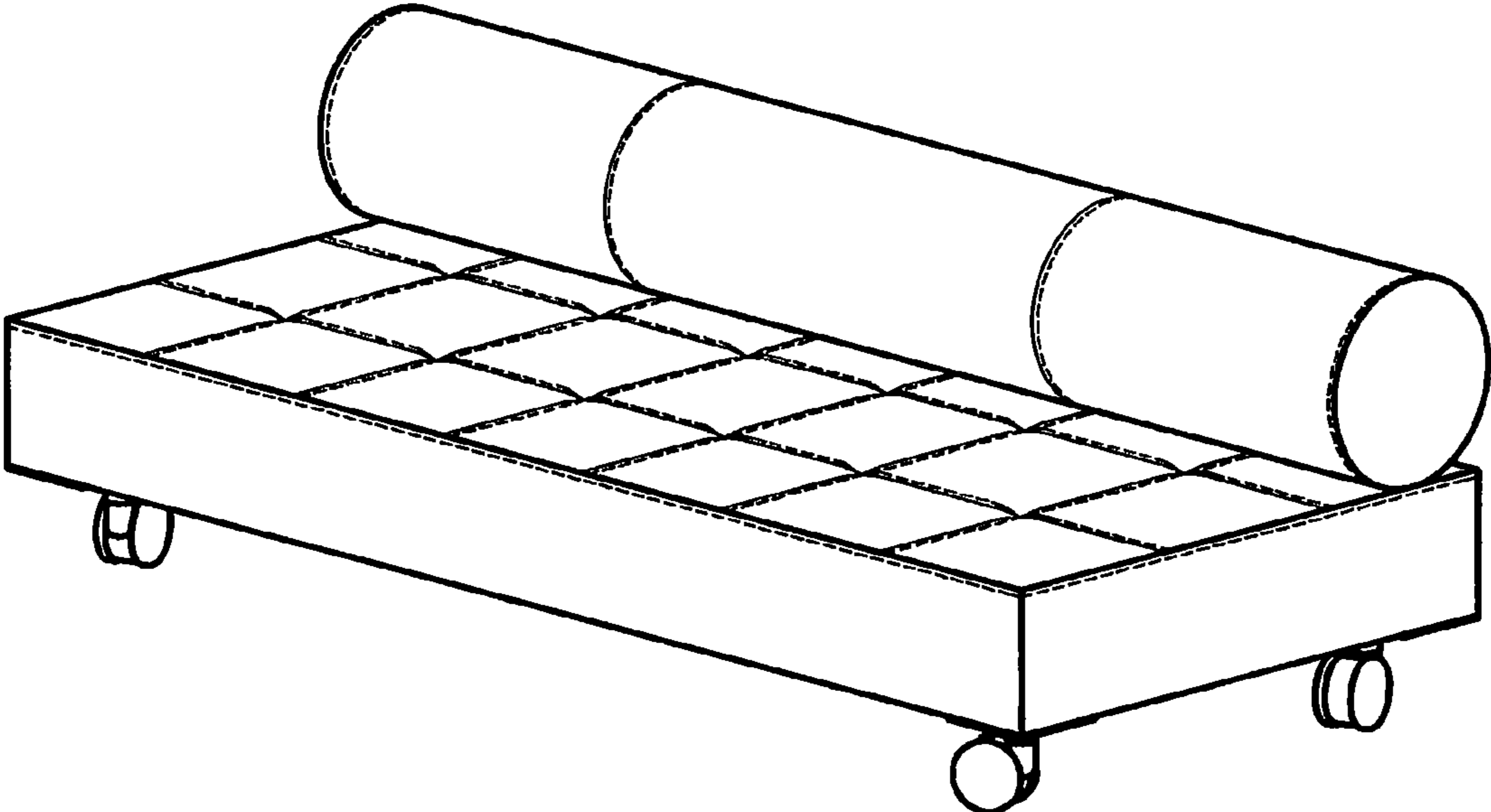


FIG. 2

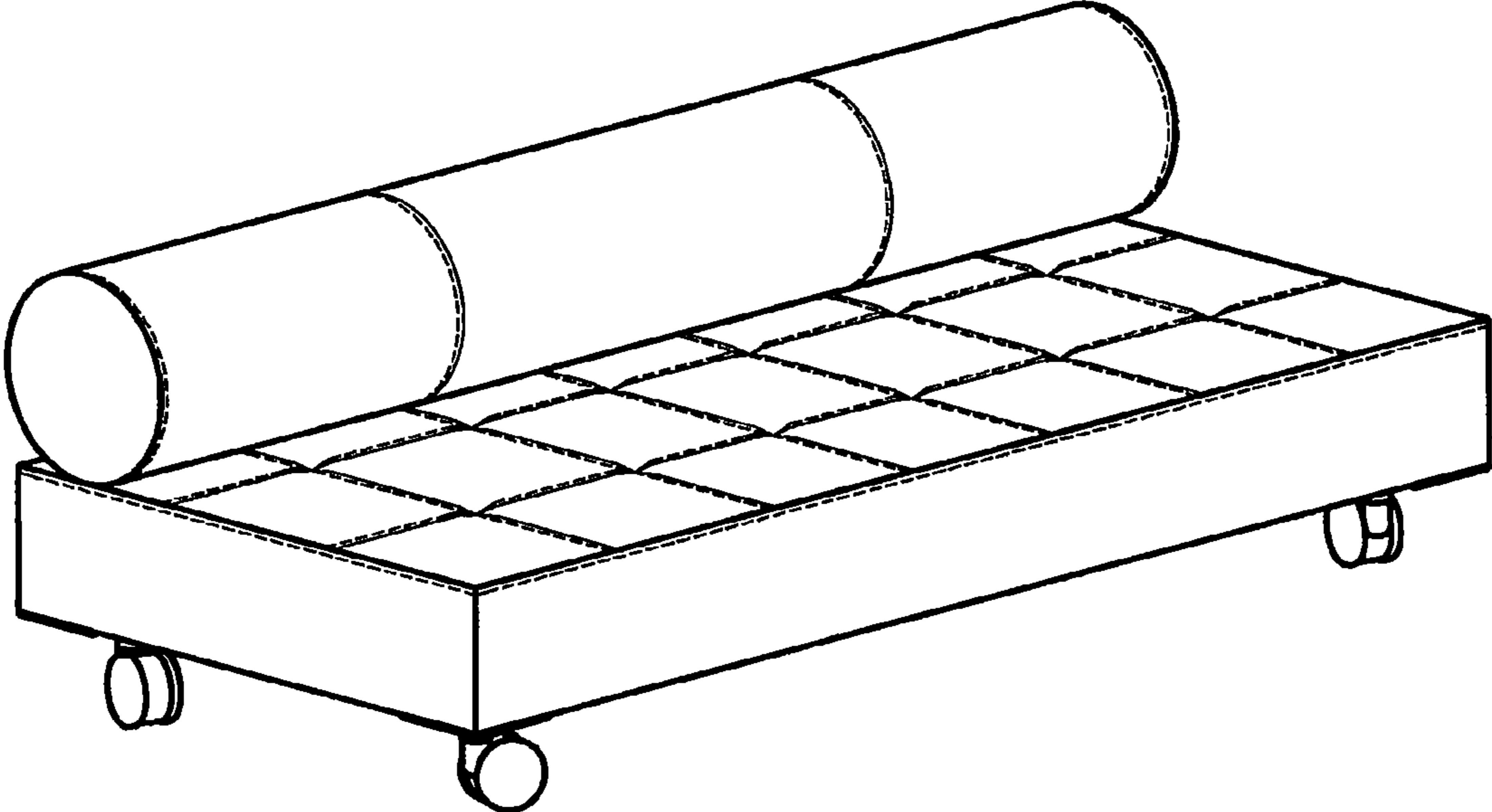


FIG. 3

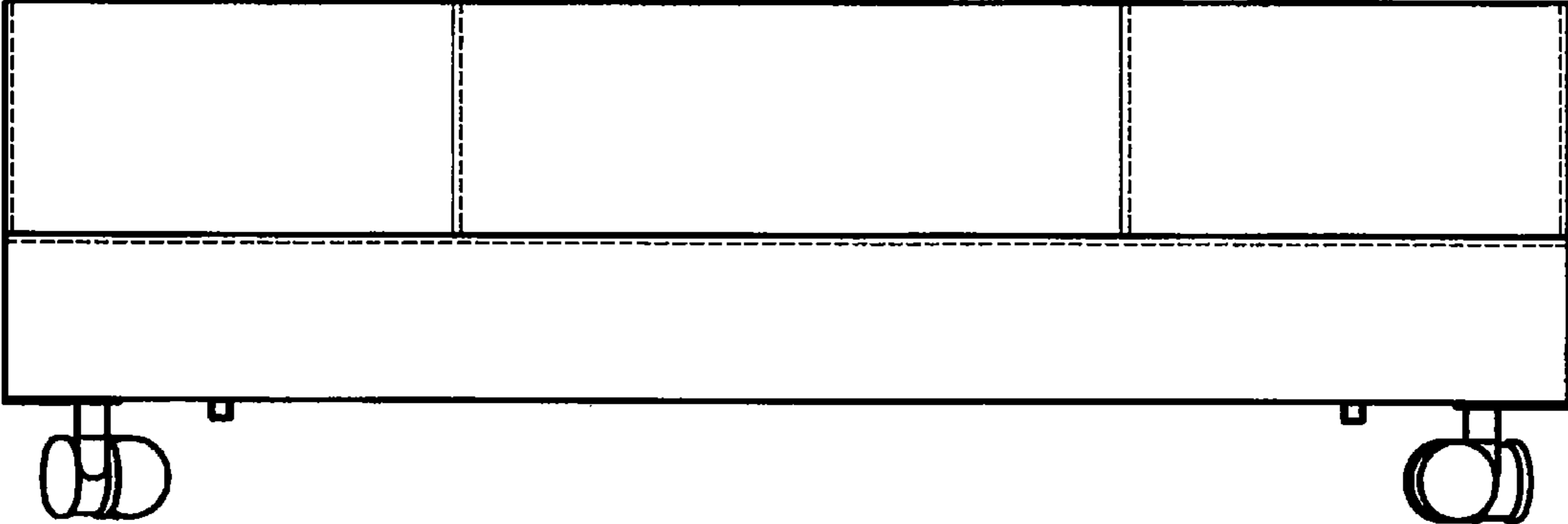


FIG. 4

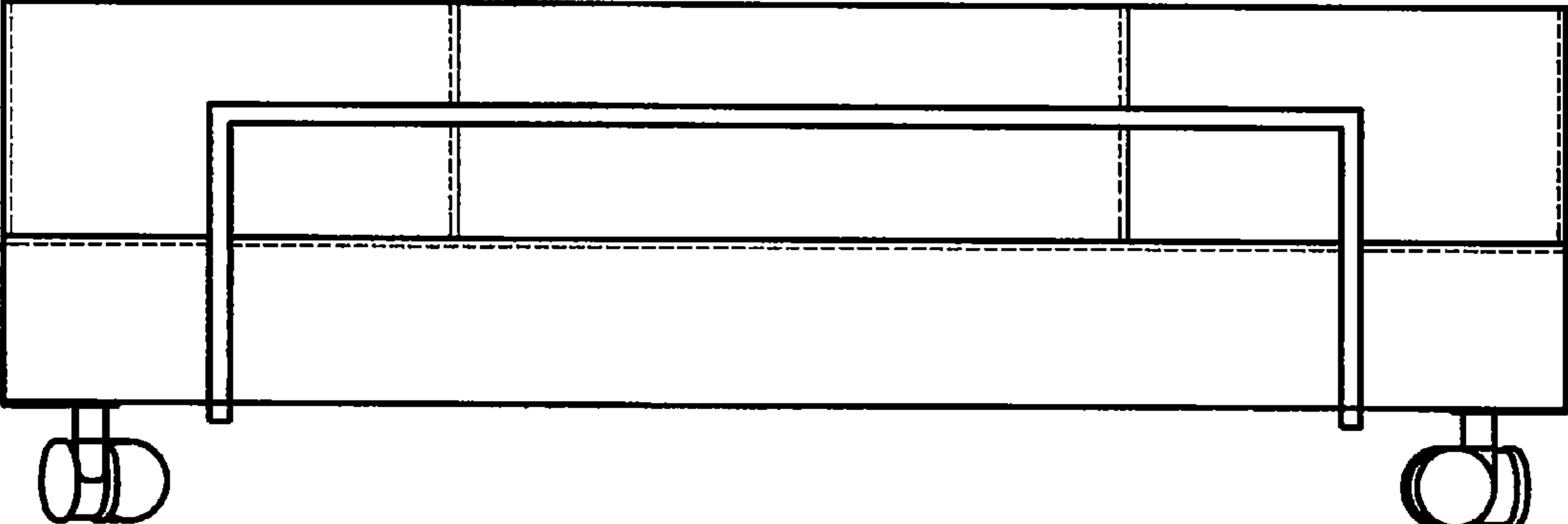


FIG. 5

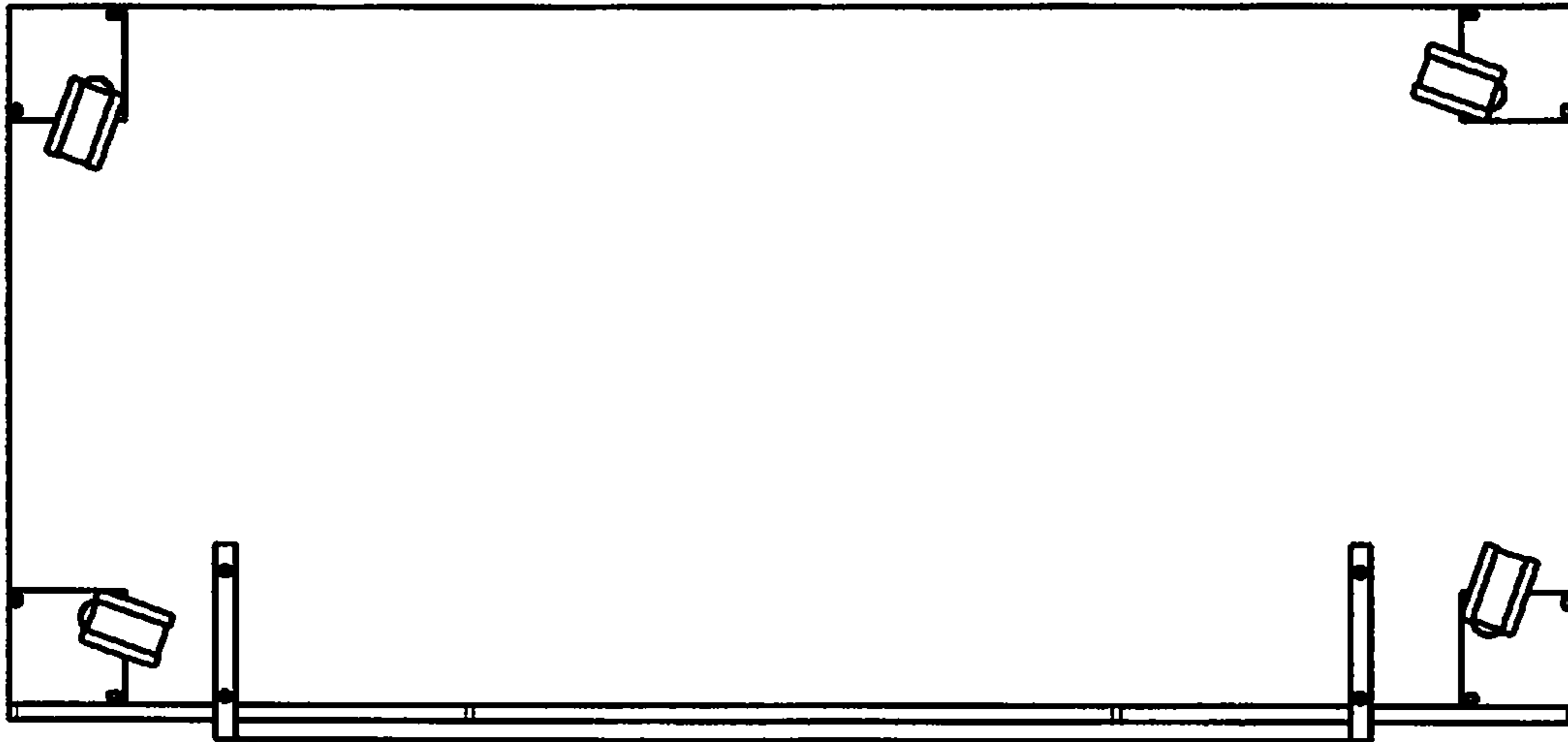


FIG. 6

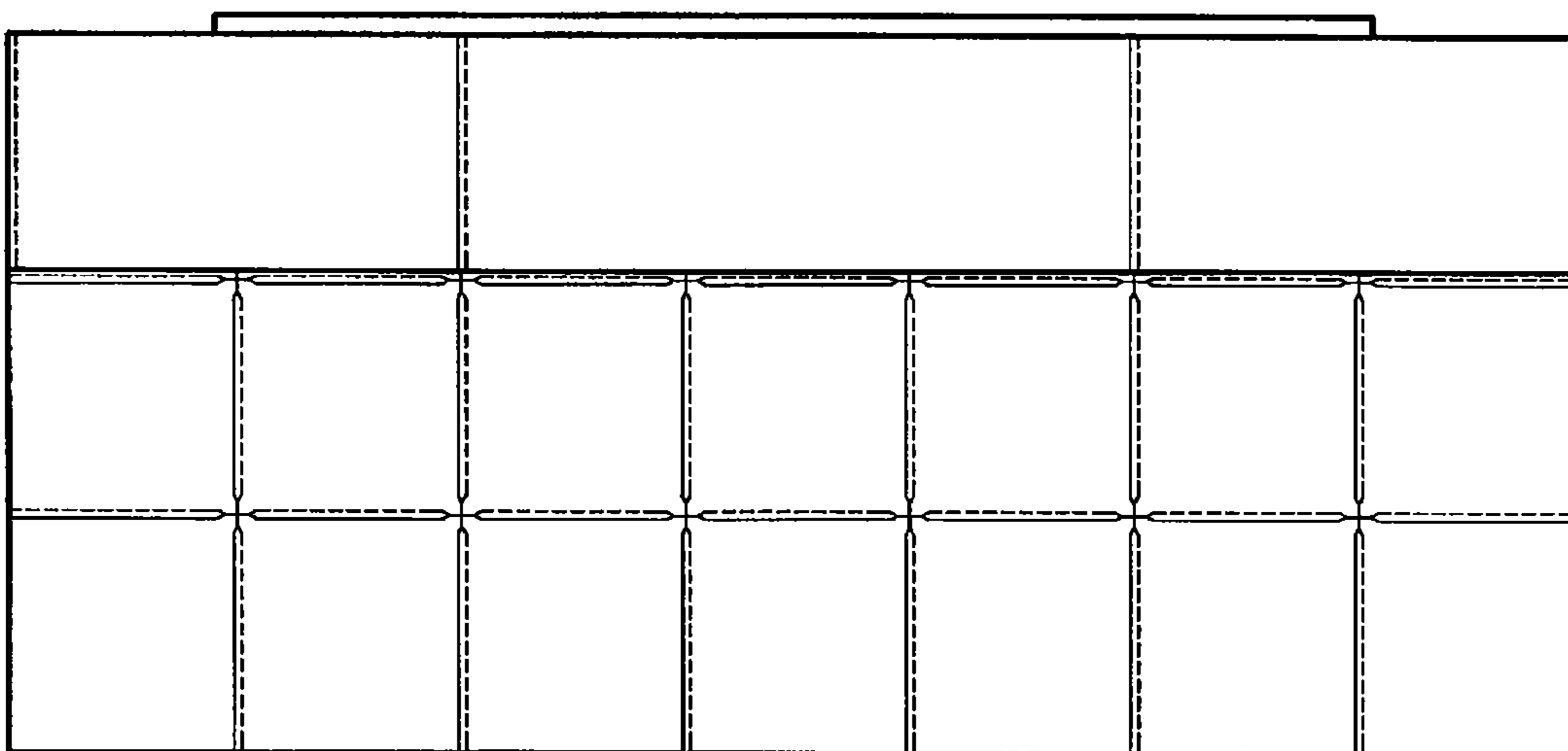


FIG. 7

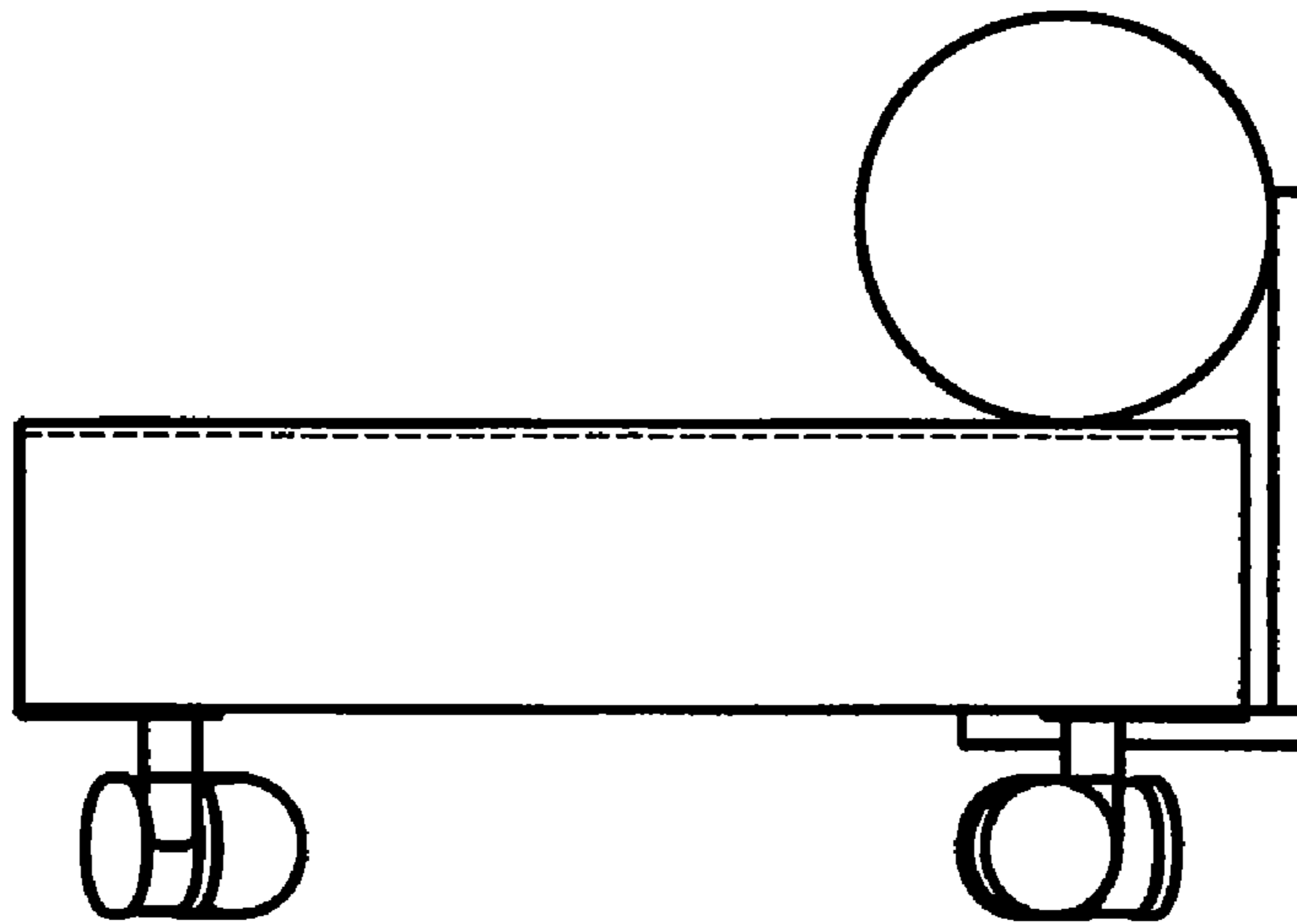
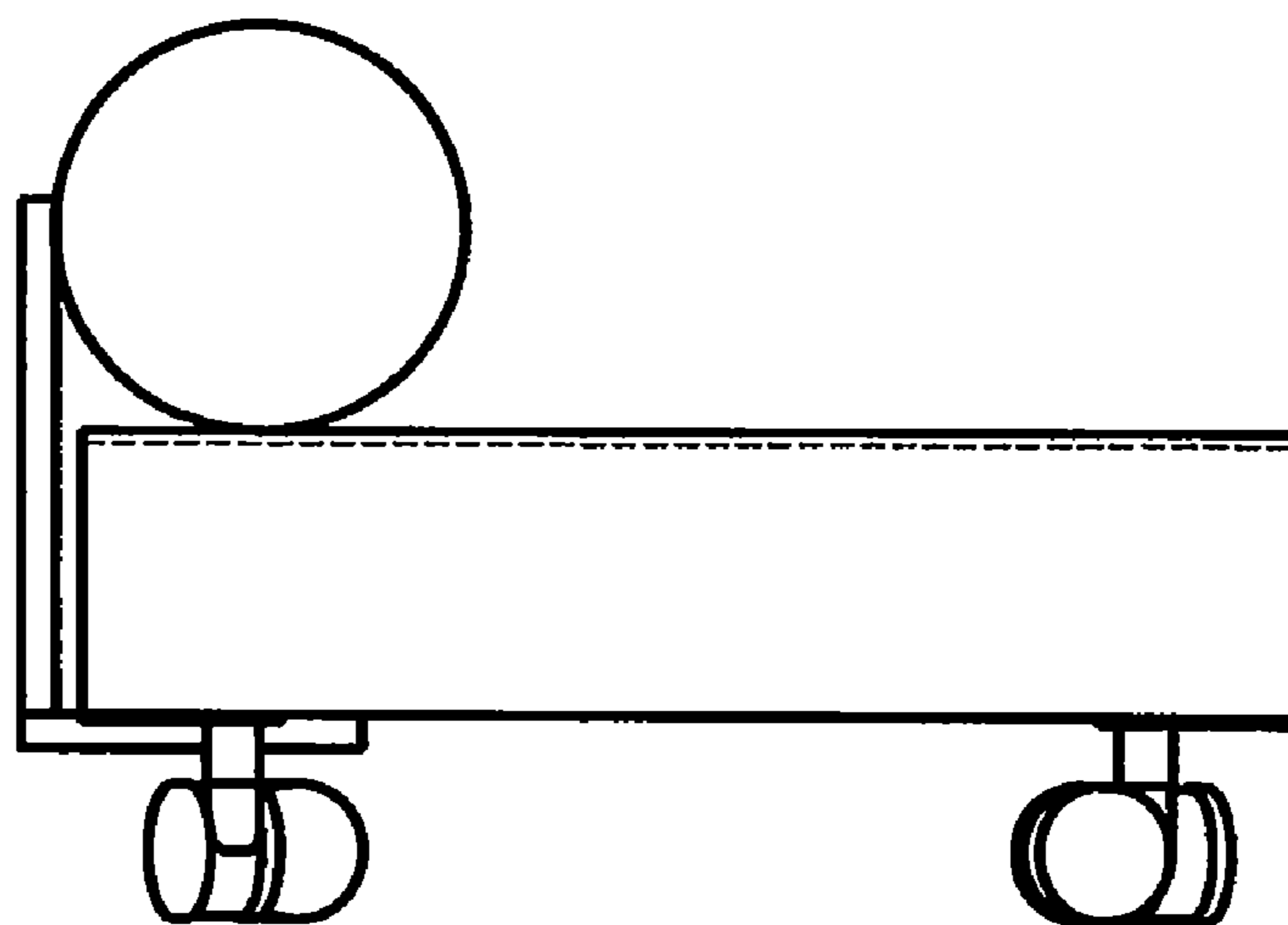


FIG. 8



UNITED STATES PATENT AND TRADEMARK OFFICE
CERTIFICATE OF CORRECTION

PATENT NO. : Des. 591,071 S
APPLICATION NO. : 29/324654
DATED : April 28, 2009
INVENTOR(S) : Per Weiss

Page 1 of 1

It is certified that error appears in the above-identified patent and that said Letters Patent is hereby corrected as shown below:

On the Title page, please add the following paragraph:

“(30) Foreign Application Priority Data

April 14, 2008 (CN) 200830123416.8”

Signed and Sealed this

Twenty-fifth Day of August, 2009



David J. Kappos
Director of the United States Patent and Trademark Office