



US00D591069S

(12) **United States Design Patent**  
**Martin**

(10) **Patent No.:** **US D591,069 S**

(45) **Date of Patent:** **\*\* Apr. 28, 2009**

(54) **BEACH CHAIR**

(76) **Inventor:** **Eric Martin**, 337 Elwood Rd., East Northport, NY (US) 11731

(\*\*) **Term:** **14 Years**

(21) **Appl. No.:** **29/308,813**

(22) **Filed:** **Jul. 9, 2008**

(51) **LOC (9) Cl.** ..... **06-01**

(52) **U.S. Cl.** ..... **D6/361; D6/370**

(58) **Field of Classification Search** ..... D6/334-336, D6/361, 367, 368, 369, 370, 373, 374, 375, D6/379, 380, 500-502; 297/184.1, 184.15, 297/284.1, 353, 354.1, 377, 423.1, 445.1, 297/452.12, 452.18, 452.63; 135/87, 96  
See application file for complete search history.

(56) **References Cited**

**U.S. PATENT DOCUMENTS**

|               |         |                      |            |
|---------------|---------|----------------------|------------|
| D201,750 S *  | 7/1965  | Mechior .....        | D6/335     |
| 4,300,798 A * | 11/1981 | Musgrove et al. .... | 297/184.15 |
| 4,508,384 A * | 4/1985  | Castelot et al. .... | 297/284.1  |
| D279,053 S *  | 6/1985  | Vanderminden .....   | D6/361     |
| D279,240 S *  | 6/1985  | Jernigan .....       | D6/361     |
| D280,276 S *  | 8/1985  | McKay .....          | D6/501     |

|               |         |                    |           |
|---------------|---------|--------------------|-----------|
| D284,143 S *  | 6/1986  | Vanderminden ..... | D6/361    |
| D285,873 S *  | 9/1986  | Criqui .....       | D6/361    |
| 4,807,936 A * | 2/1989  | Behrendt .....     | 297/445.1 |
| D362,555 S *  | 9/1995  | Andrews .....      | D6/361    |
| D374,128 S *  | 10/1996 | Yoder, Jr. ....    | D6/361    |
| D429,421 S *  | 8/2000  | Hodge .....        | D6/361    |
| D545,580 S *  | 7/2007  | Marin .....        | D6/361    |

\* cited by examiner

*Primary Examiner*—Mimosa De

(74) *Attorney, Agent, or Firm*—David J. Wilson

(57) **CLAIM**

The ornamental design for beach chair, as shown and described.

**DESCRIPTION**

FIG. 1 is a side view of the beach chair.

FIG. 2 is a back view of the beach chair.

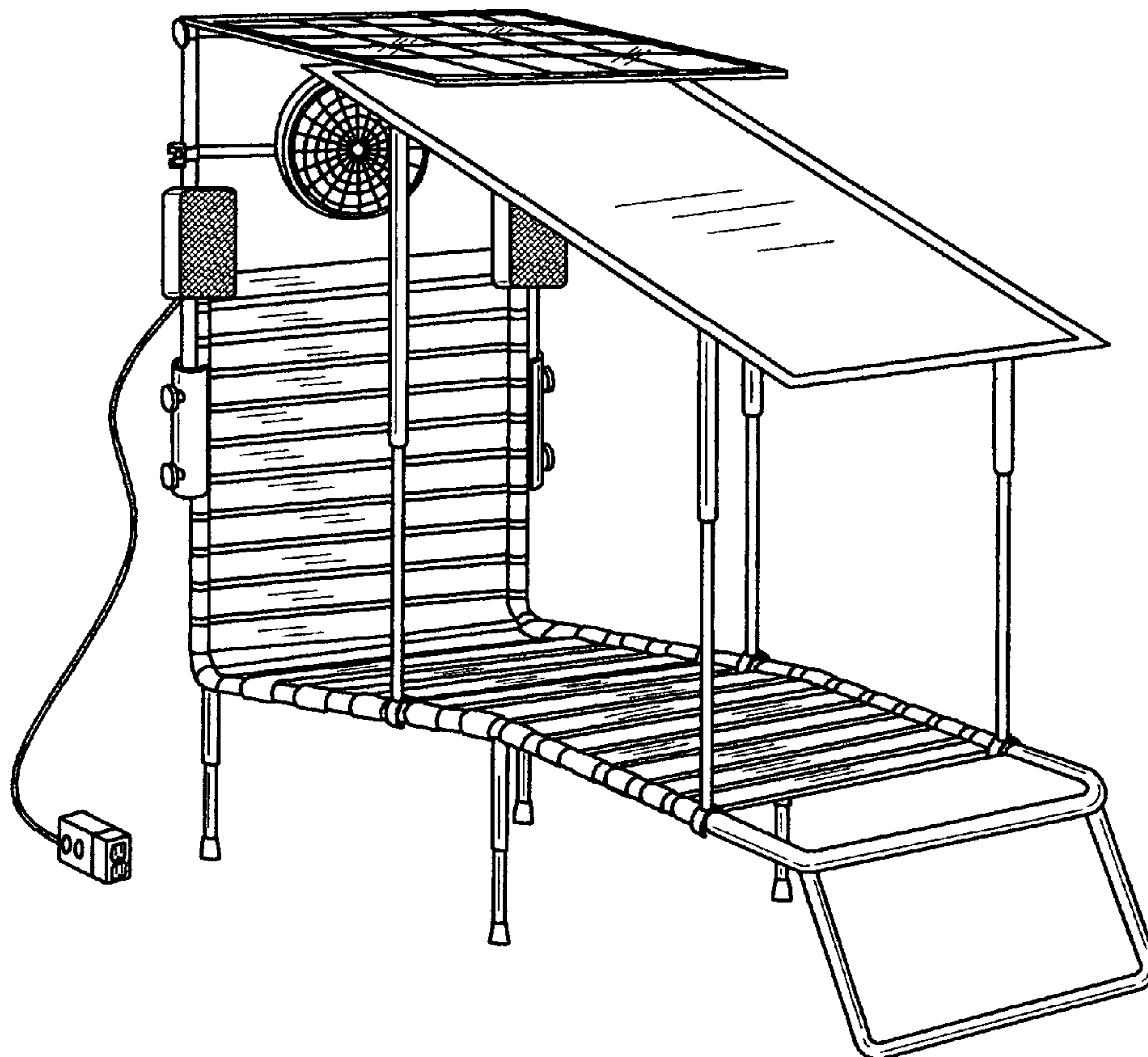
FIG. 3 is a front view of the beach chair.

FIG. 4 is a top view of the beach chair.

FIG. 5 is a bottom view of the beach chair; and,

FIG. 6 is a perspective view of the beach chair.

**1 Claim, 4 Drawing Sheets**



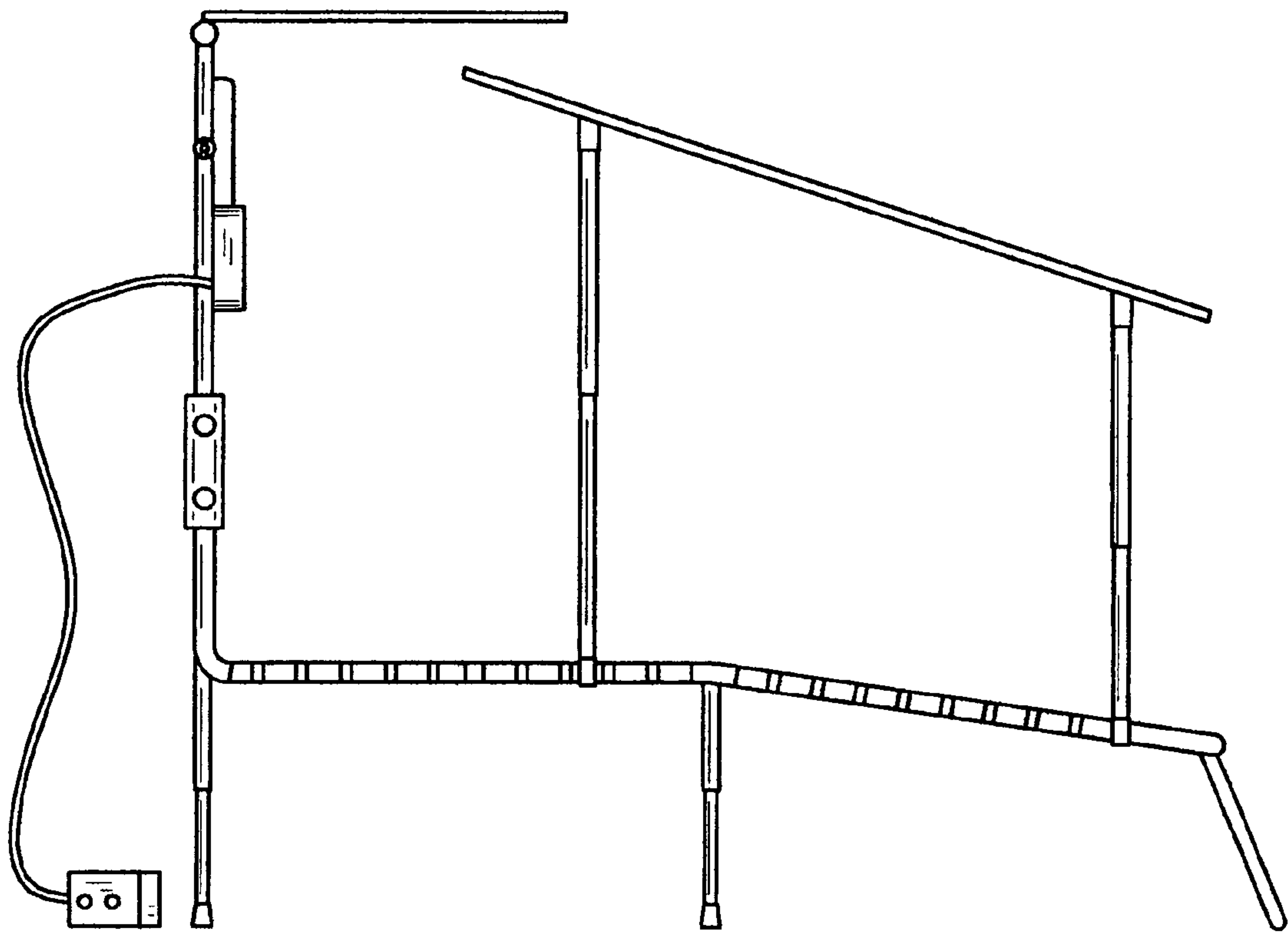


FIG. 1

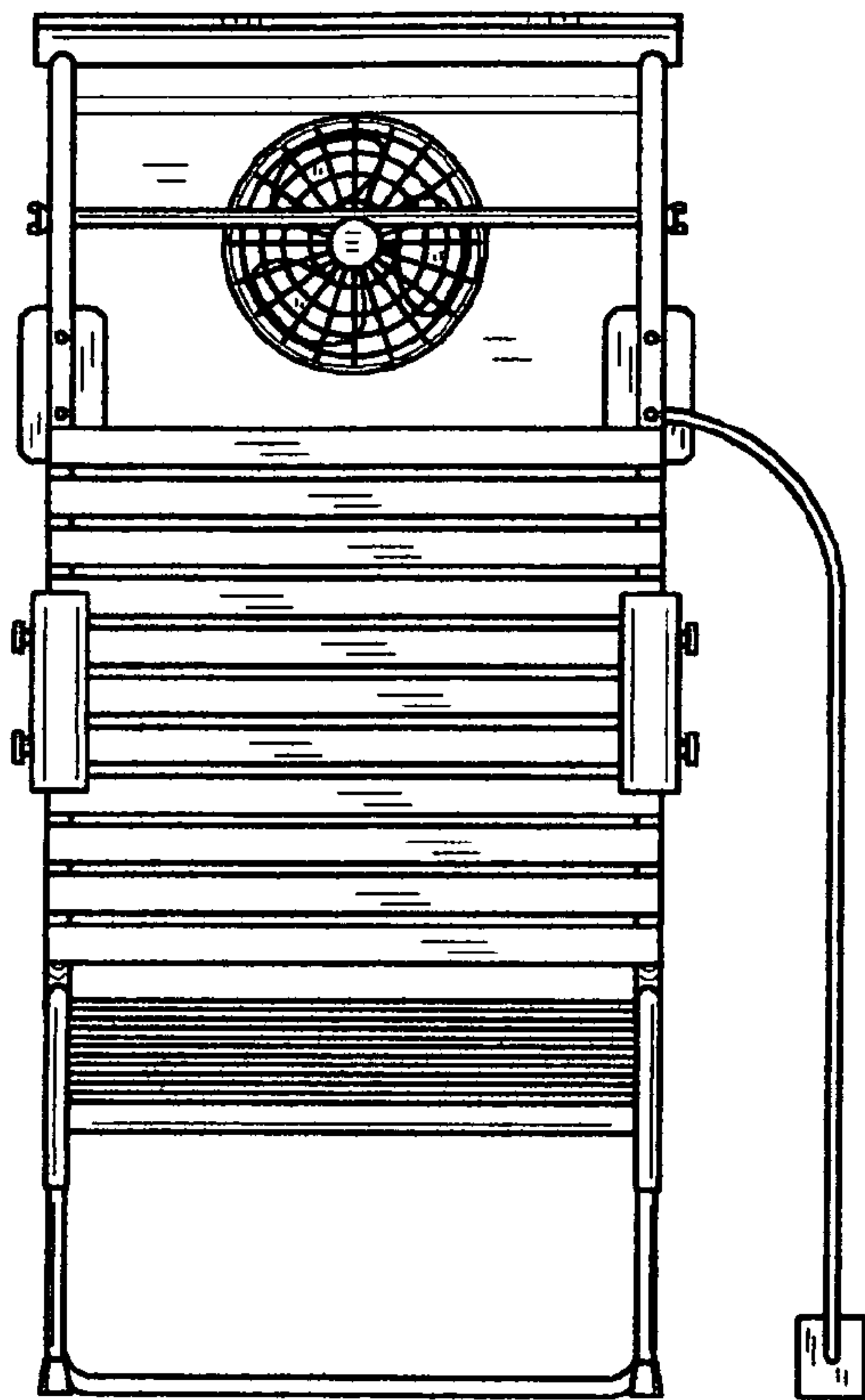


FIG. 2

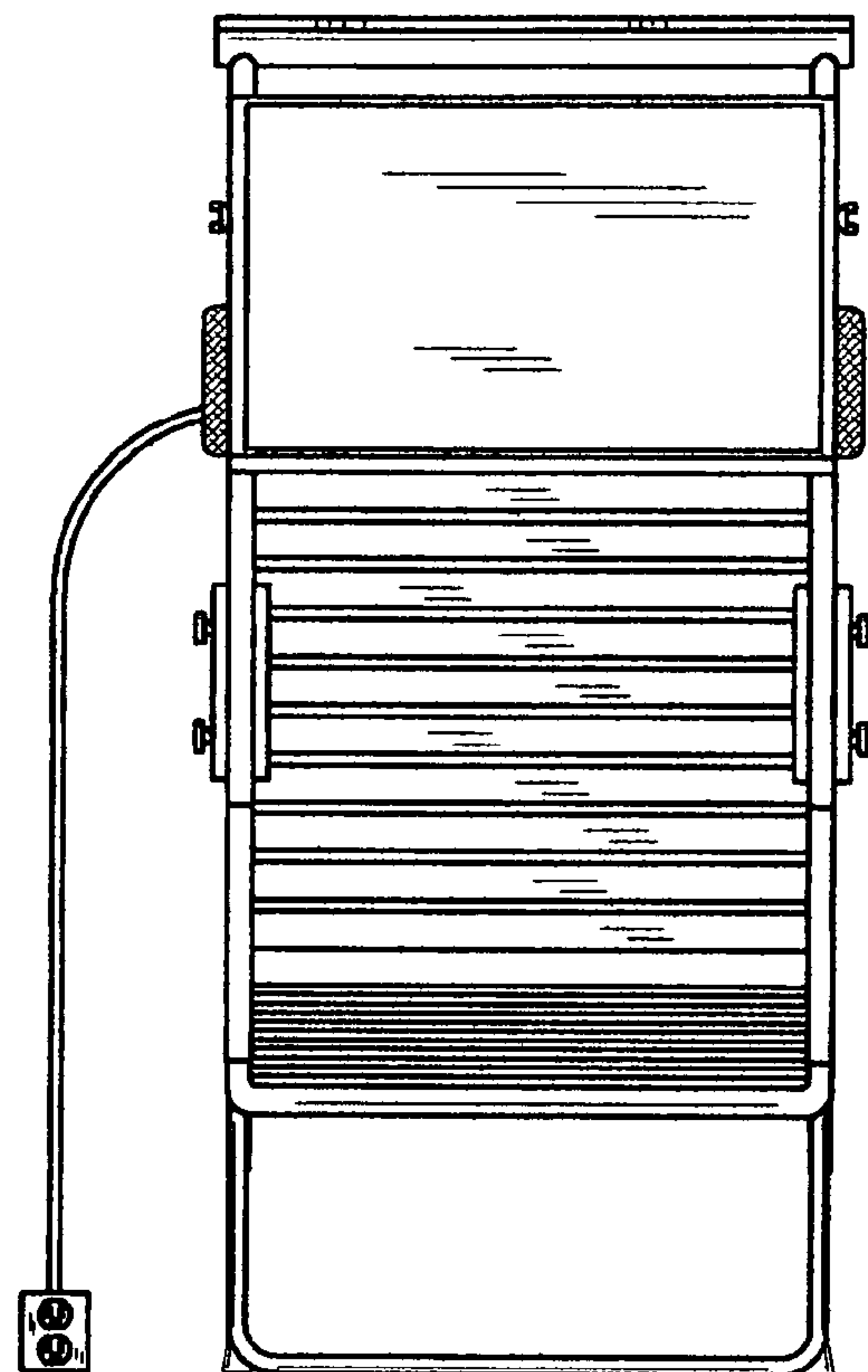


FIG. 3

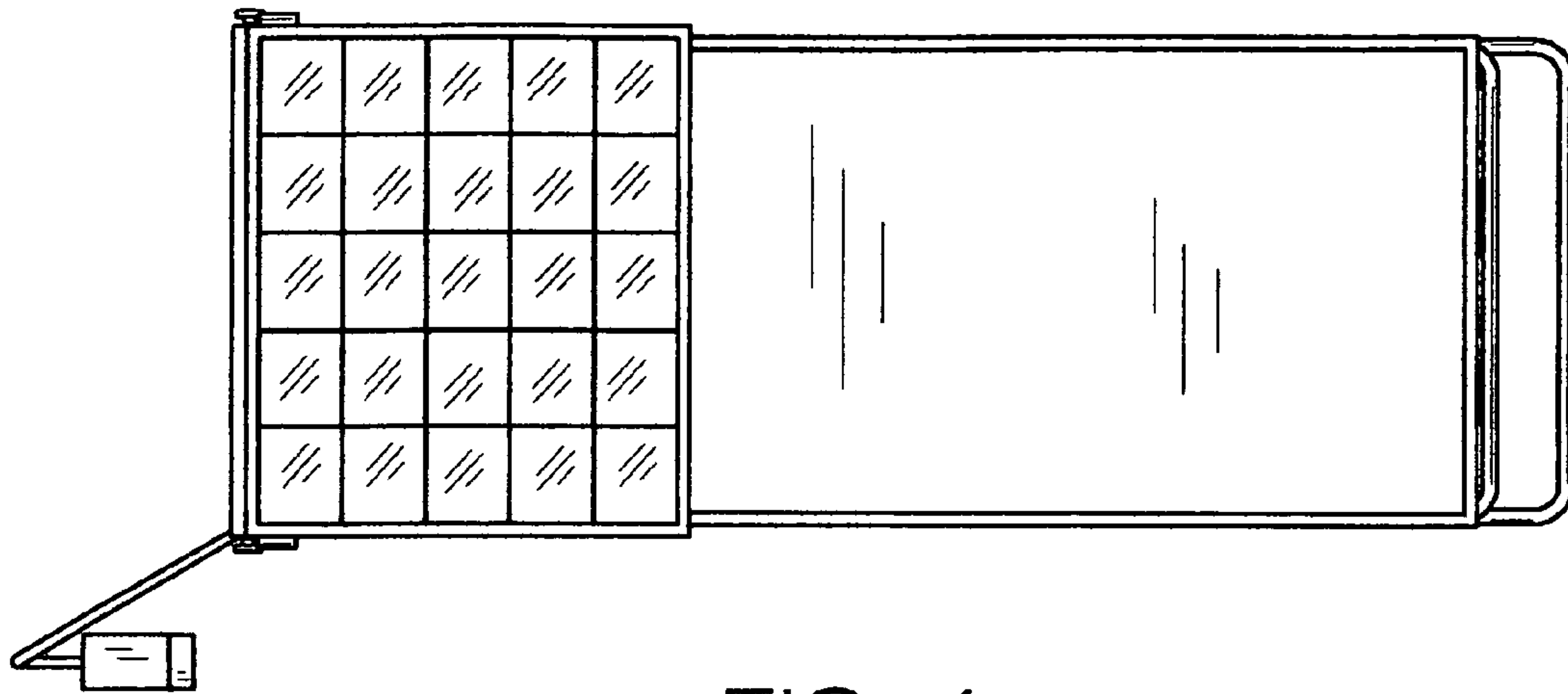


FIG. 4

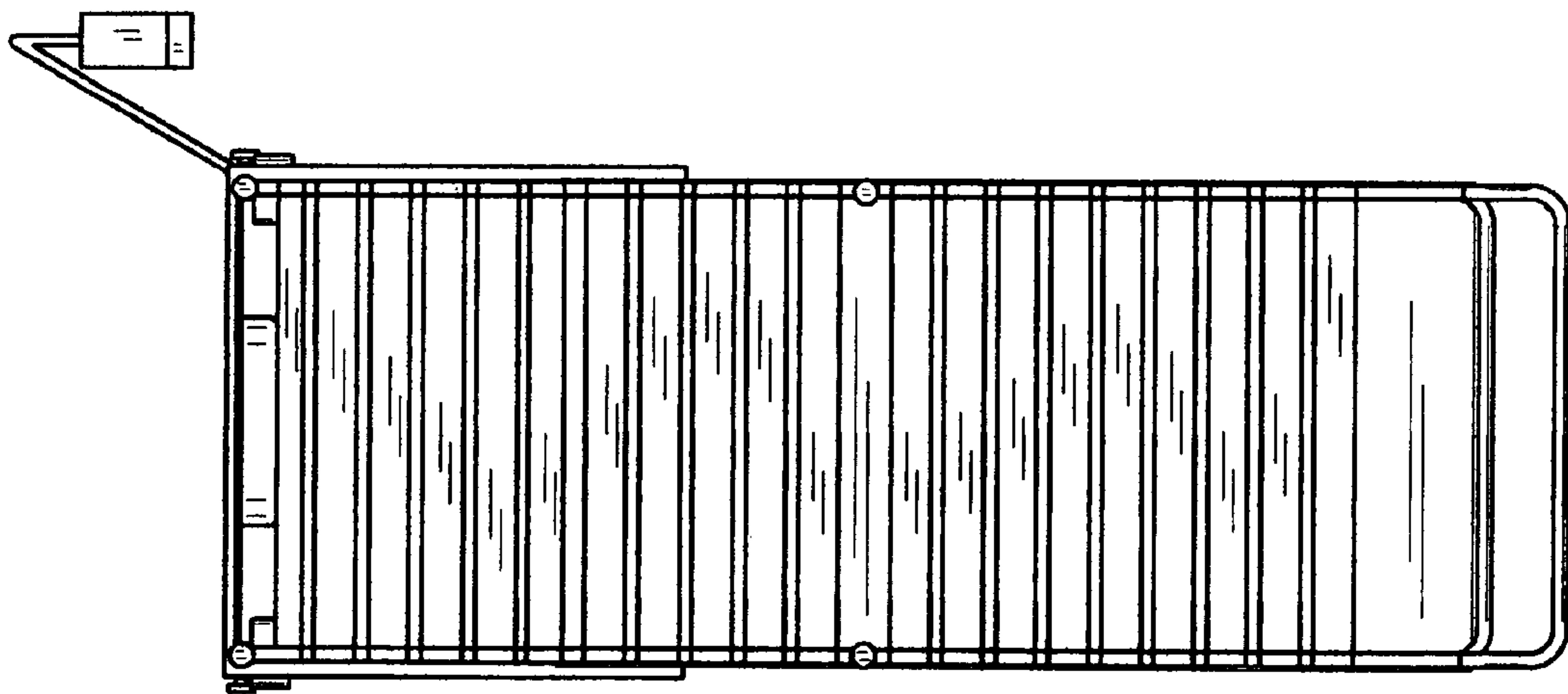


FIG. 5

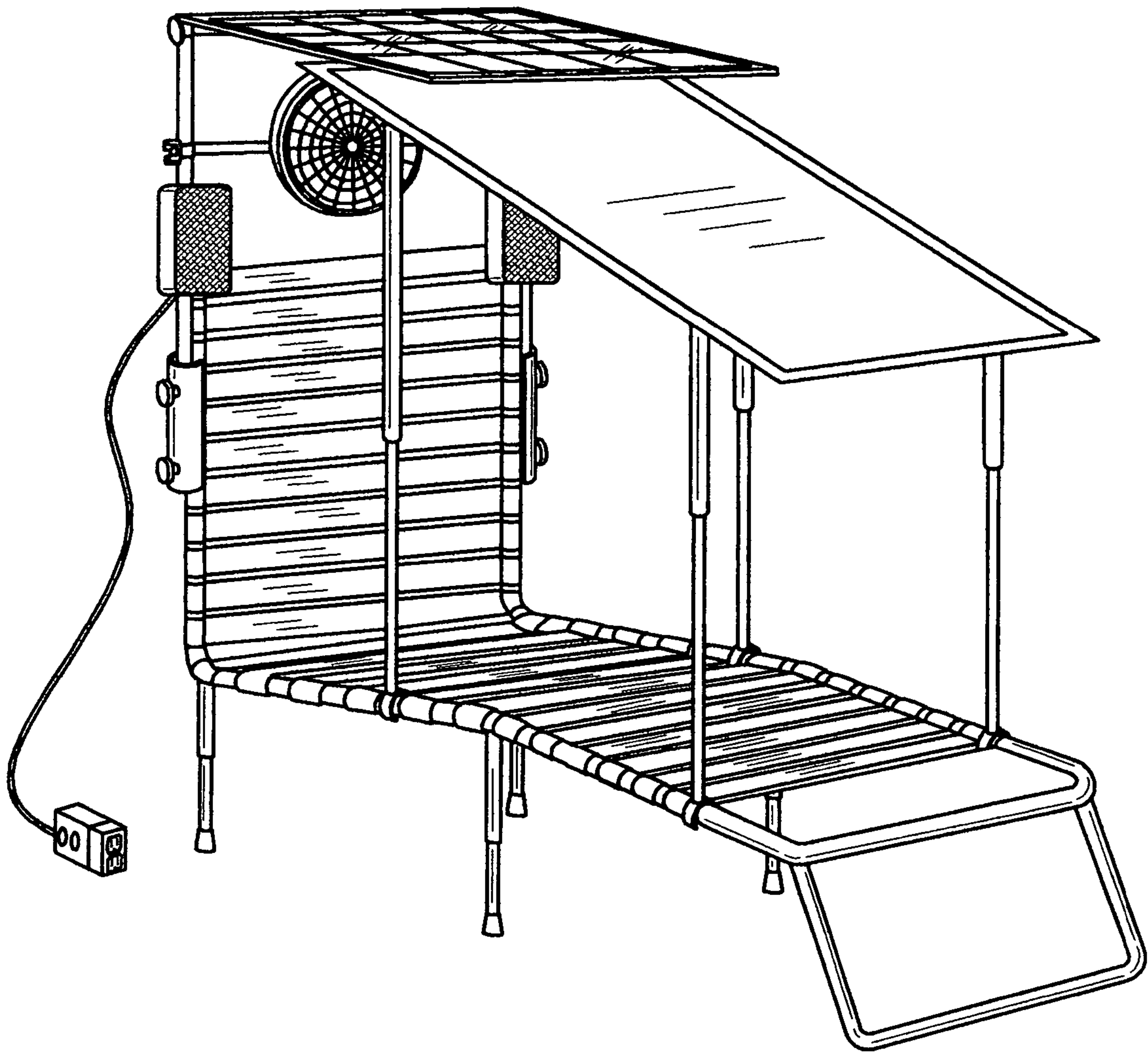


FIG. 6