



US00D591065S

(12) **United States Design Patent**
Pedemonte

(10) **Patent No.:** **US D591,065 S**

(45) **Date of Patent:** **** Apr. 28, 2009**

(54) **FOLDING CHAIR**

(76) **Inventor:** **G. Daniel Pedemonte**, 1550 N. Lake Shore Dr., Apartment 32C, Chicago, IL (US) 60610

(**) **Term:** **14 Years**

(21) **Appl. No.:** **29/326,482**

(22) **Filed:** **Oct. 20, 2008**

Related U.S. Application Data

(63) Continuation of application No. 11/240,743, filed on Sep. 30, 2005, now Pat. No. 7,438,355.

(51) **LOC (9) Cl.** **06-01**

(52) **U.S. Cl.** **D6/335**

(58) **Field of Classification Search** D6/334, D6/335, 349, 353, 368, 371, 377, 381, 382, D6/383, 500-503, 361; 297/16.1, 16.2, 34, 297/42, 44, 63, 232, 233, 350, 351, 353, 297/354.1, 445.1, 448.1, 448.2; 5/12.1, 12.2
See application file for complete search history.

(56) **References Cited**

U.S. PATENT DOCUMENTS

2,570,571	A *	10/1951	Leeman	190/8
2,623,574	A *	12/1952	Damsch	297/111
4,273,380	A *	6/1981	Silvestri	297/188.06
D261,705	S *	11/1981	Land et al.	D6/361
D284,910	S *	8/1986	Handy	D6/336
4,676,548	A *	6/1987	Bradbury	297/129
4,984,768	A *	1/1991	Kolber et al.	297/16.1
5,139,308	A *	8/1992	Ziman	297/188.06
D335,396	S *	5/1993	Keadle	D6/335
D335,397	S *	5/1993	Fox	D6/361
D341,725	S *	11/1993	Piper	D6/361
D343,525	S *	1/1994	Wright	D6/368
D352,635	S *	11/1994	Yoder	D6/611
D353,060	S *	12/1994	Erickson	D6/361
D353,496	S *	12/1994	Dones et al.	D6/368
D360,535	S *	7/1995	Sjoberg	D6/335
D368,199	S *	3/1996	Winslow et al.	D6/596
5,499,760	A *	3/1996	Pielocik	224/155

D368,381	S *	4/1996	Lang	D6/368
D414,048	S *	9/1999	Adevale	D6/361
D481,547	S *	11/2003	Ammann, Jr.	D6/335
D571,115	S *	6/2008	Cohen	D6/368
7,438,355	B2 *	10/2008	Pedemonte	297/17
2006/0071513	A1 *	4/2006	Pedemonte	297/16.1

* cited by examiner

Primary Examiner—Sandra Snapp

(74) *Attorney, Agent, or Firm*—McDonnell, Boehnen, Hulbert & Berghoff LLP

(57) **CLAIM**

The ornamental design for a folding chair, as shown and described.

DESCRIPTION

FIG. 1 is a front view of a folding chair in a closed position showing my new design;

FIG. 2 is a left front perspective view of the folding chair of FIG. 1;

FIG. 3 is a right front perspective view of the folding chair of FIG. 1;

FIG. 4 is a rear view of the folding chair of FIG. 1;

FIG. 5 is a top view of the folding chair of FIG. 1;

FIG. 6 is a perspective view of a folding chair in an open position showing my new design;

FIG. 7 is a right side perspective view of the folding chair of FIG. 6;

FIG. 8 is a left side view of the folding chair of FIG. 6;

FIG. 9 is a right side view of the folding chair of FIG. 6;

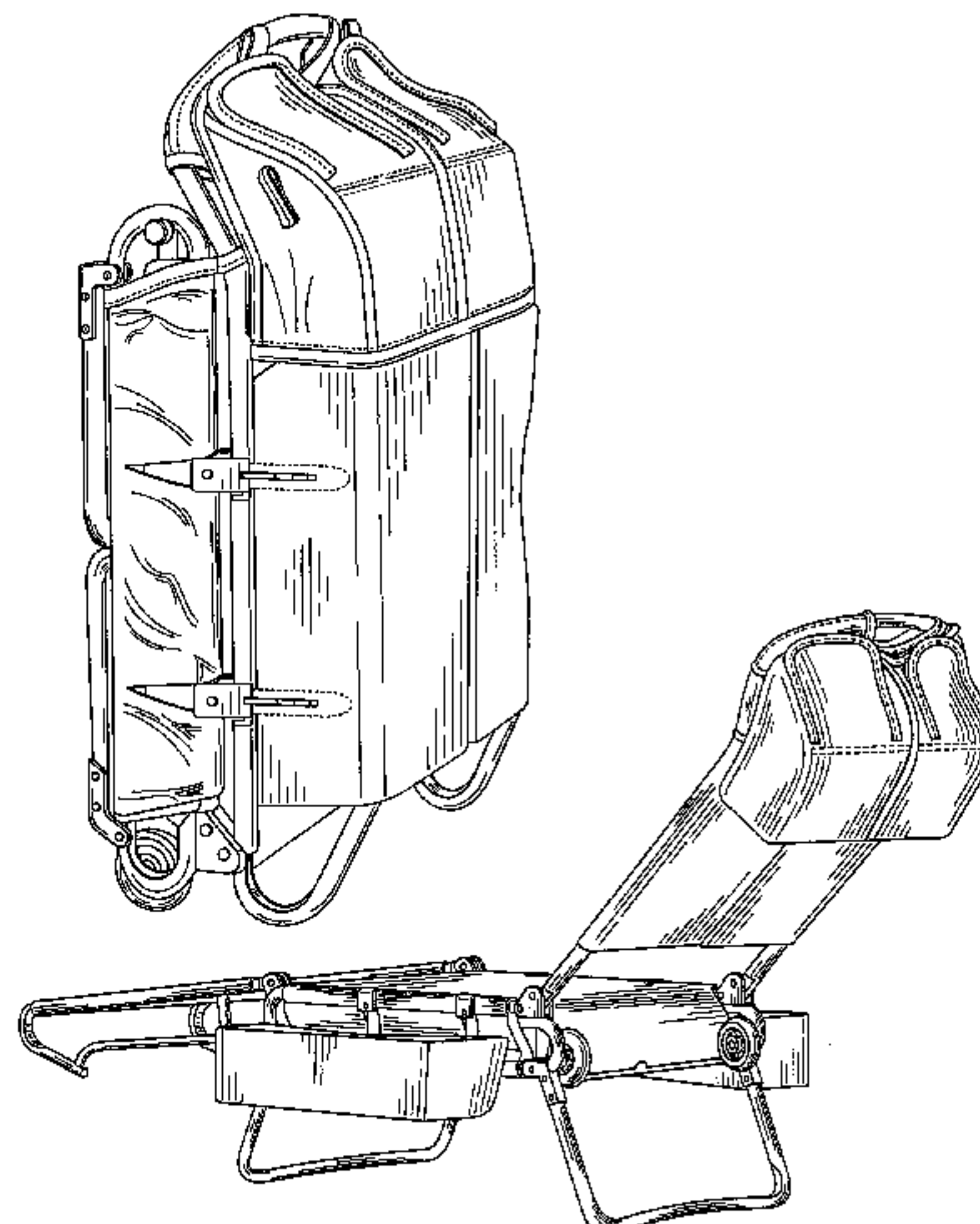
FIG. 10 is a top view of the folding chair of FIG. 6; and,

FIG. 11 is a bottom view of the folding chair of FIG. 6.

The dotted and the dashed lines shown in the drawings are understood to represent stitching.

The dash-dot lines shown in FIGS. 4 & 11 are for illustrative purposes only and form no part of the claimed design.

1 Claim, 10 Drawing Sheets



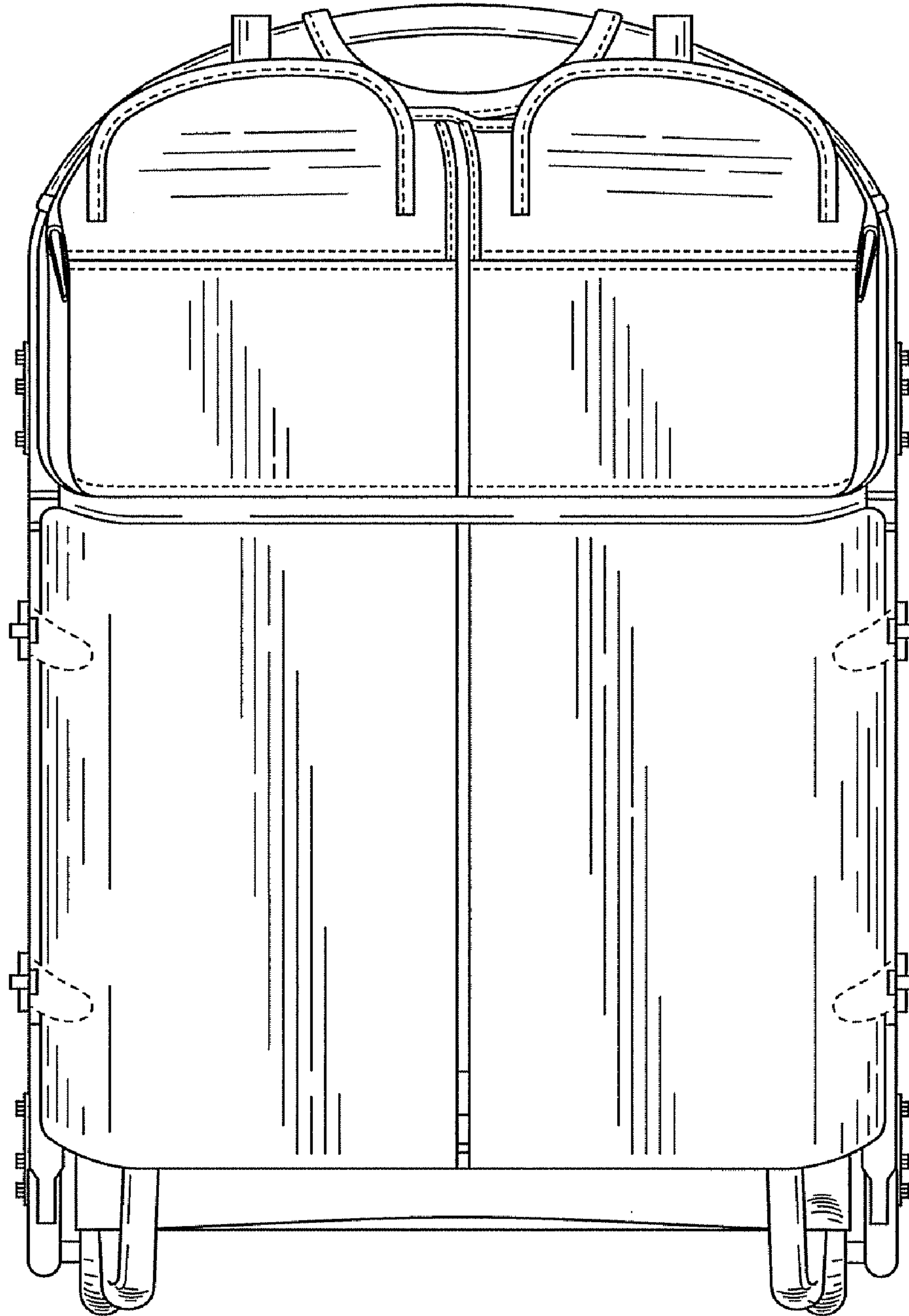


FIG. 1

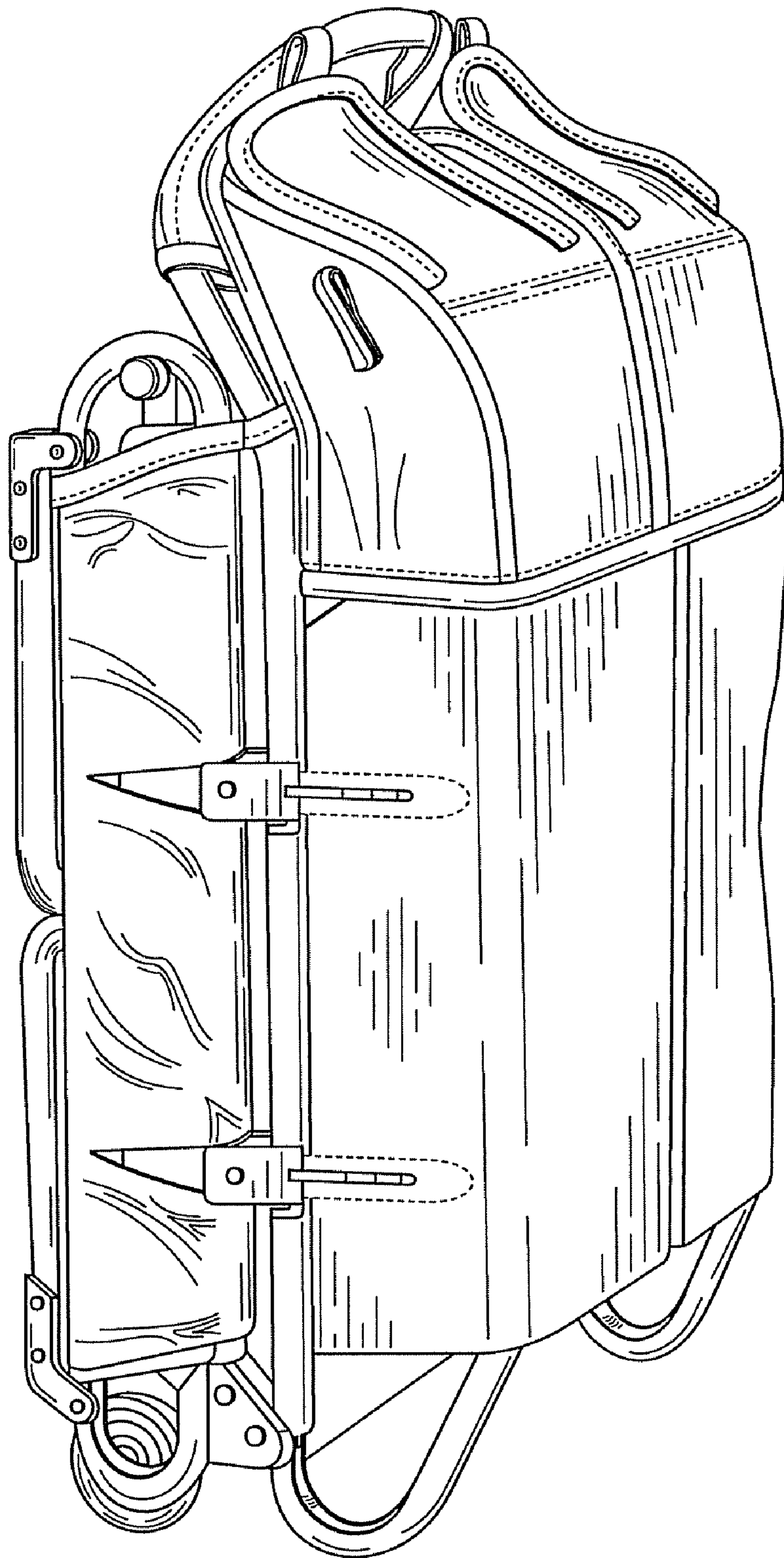


FIG. 2

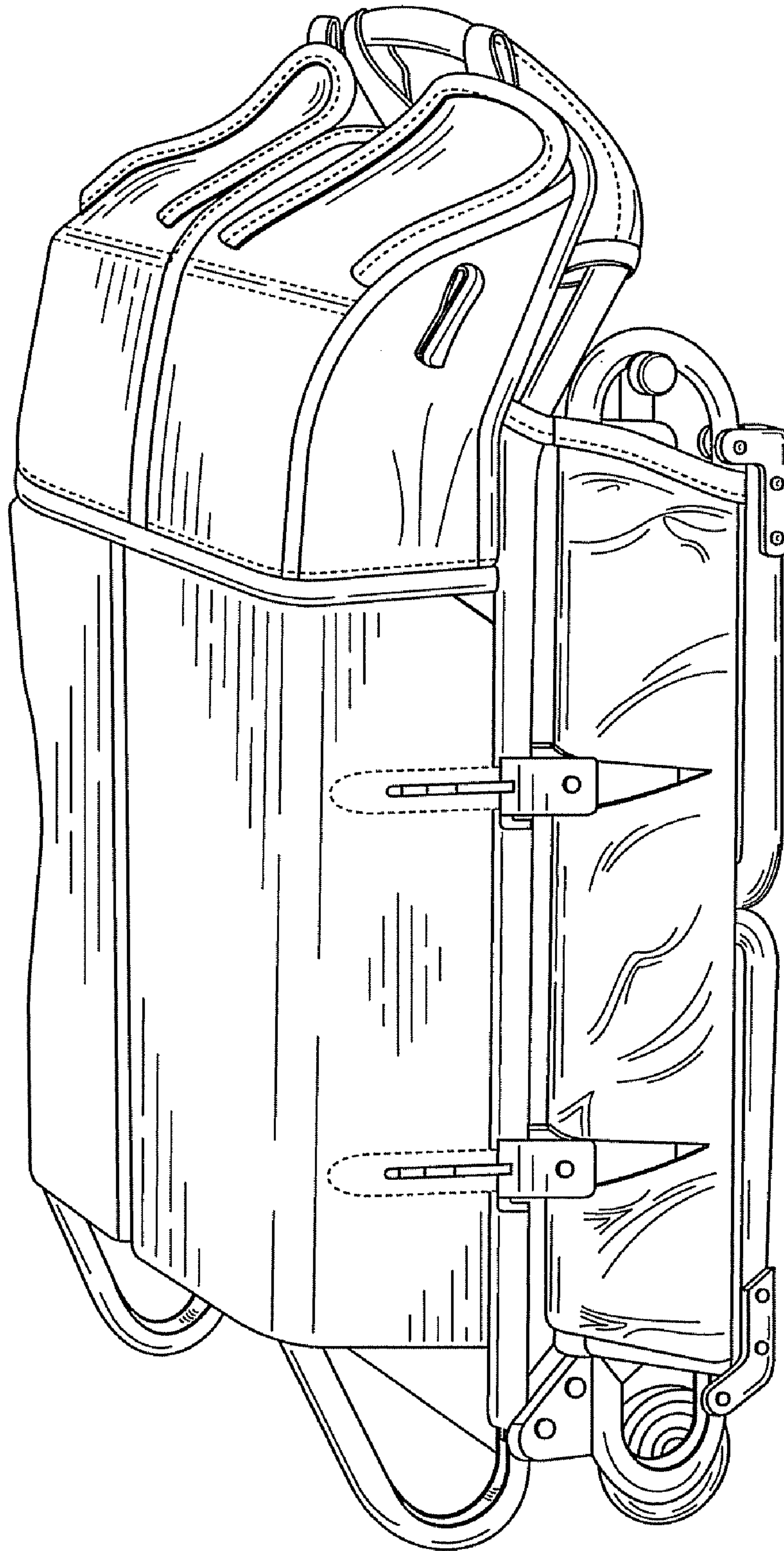


FIG. 3

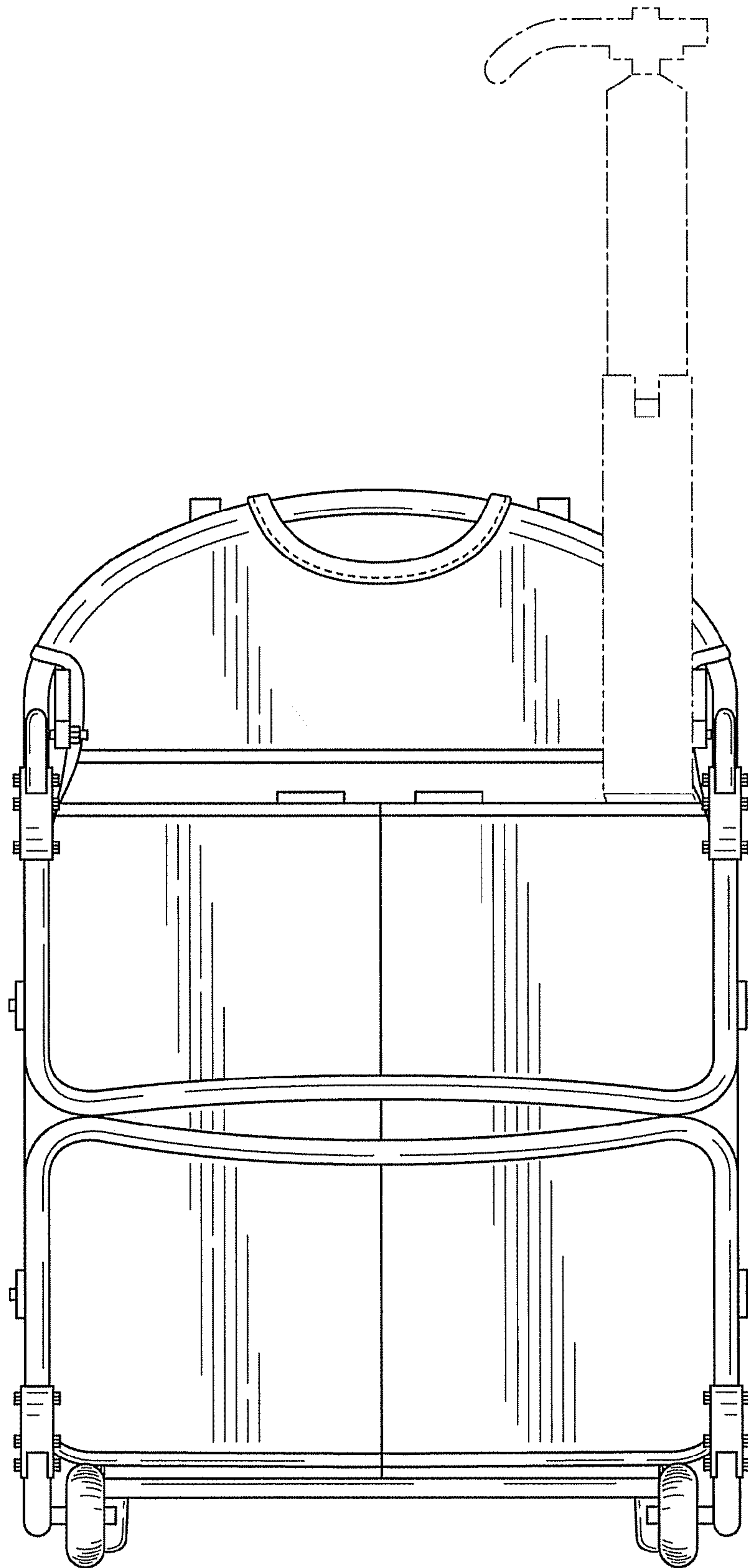


FIG. 4

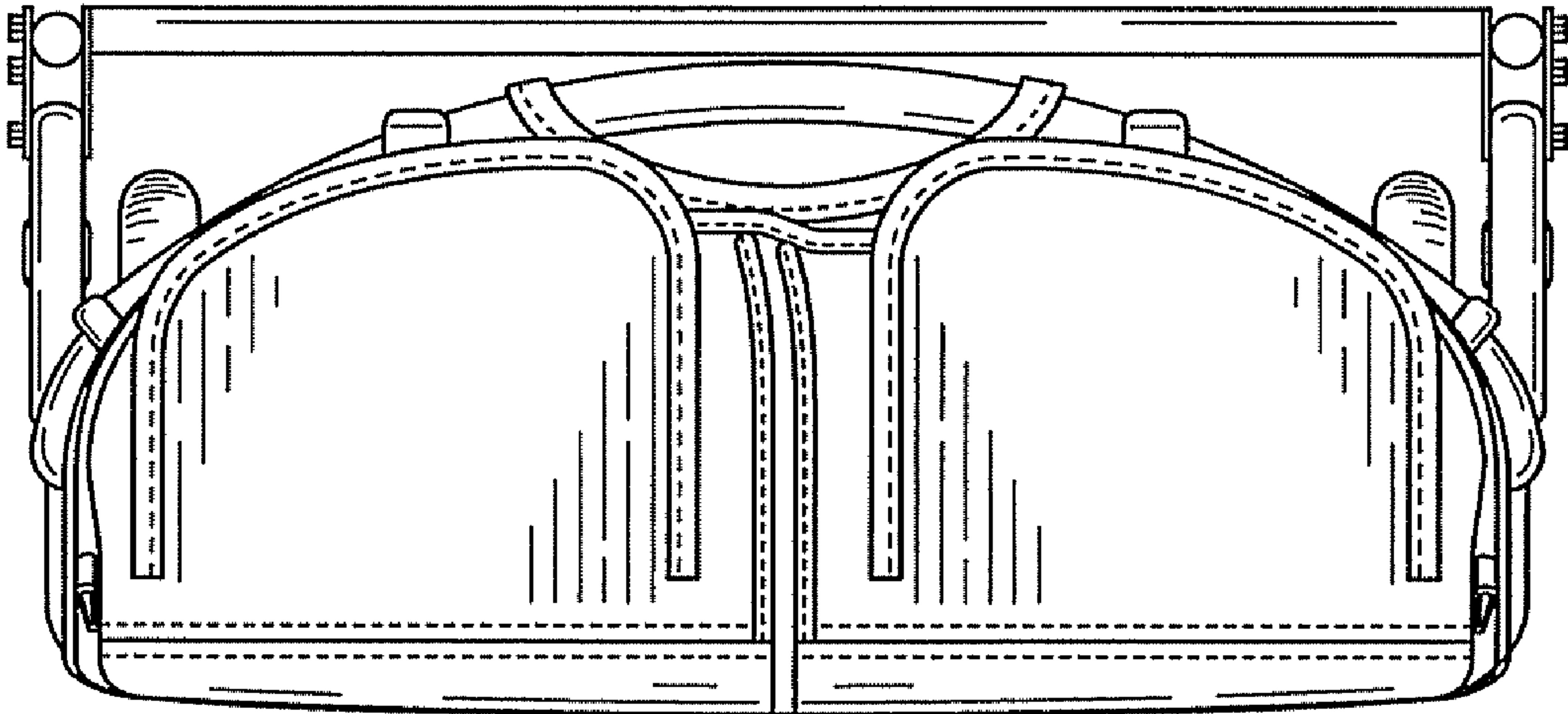


FIG. 5

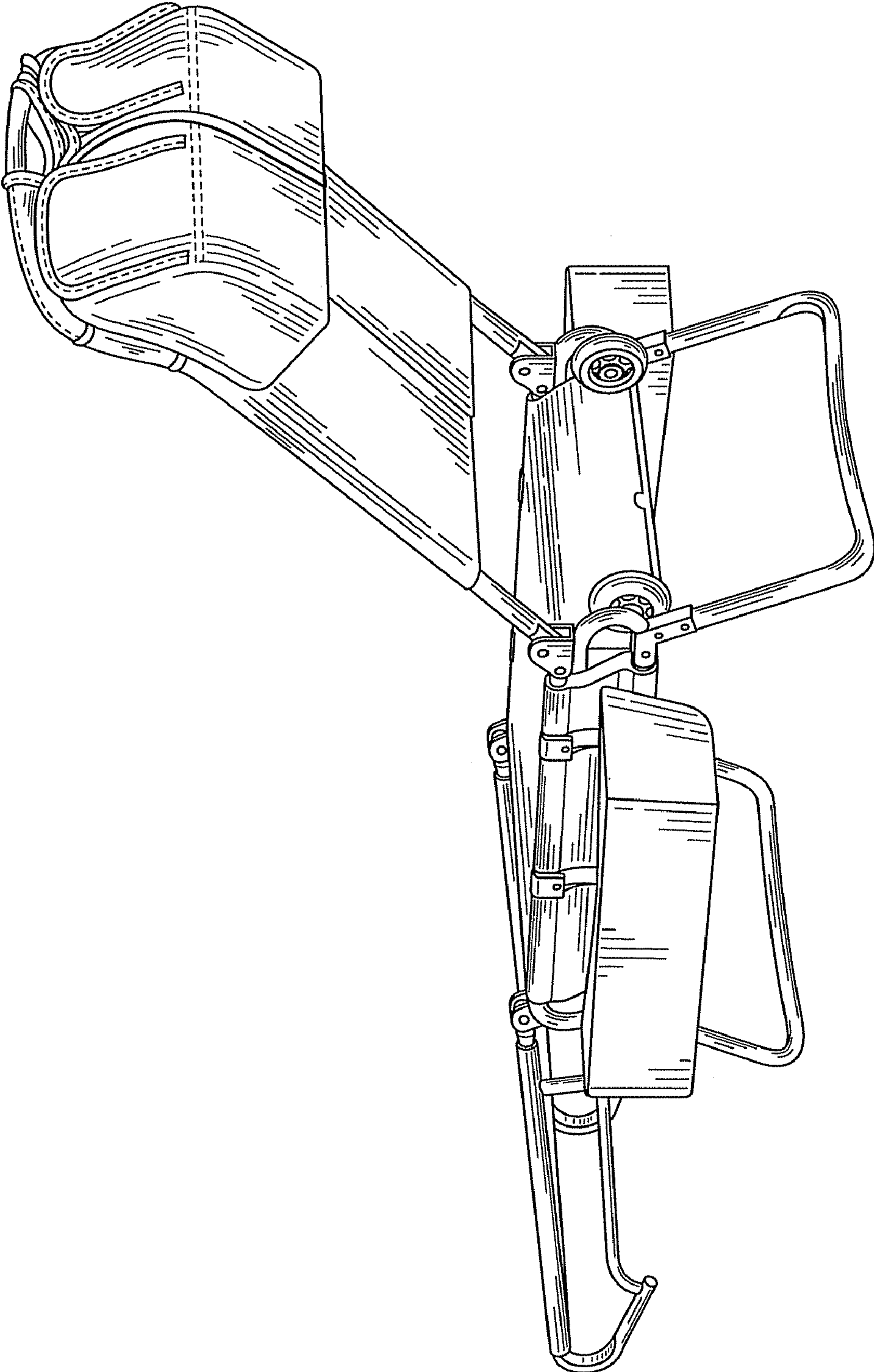


FIG. 6

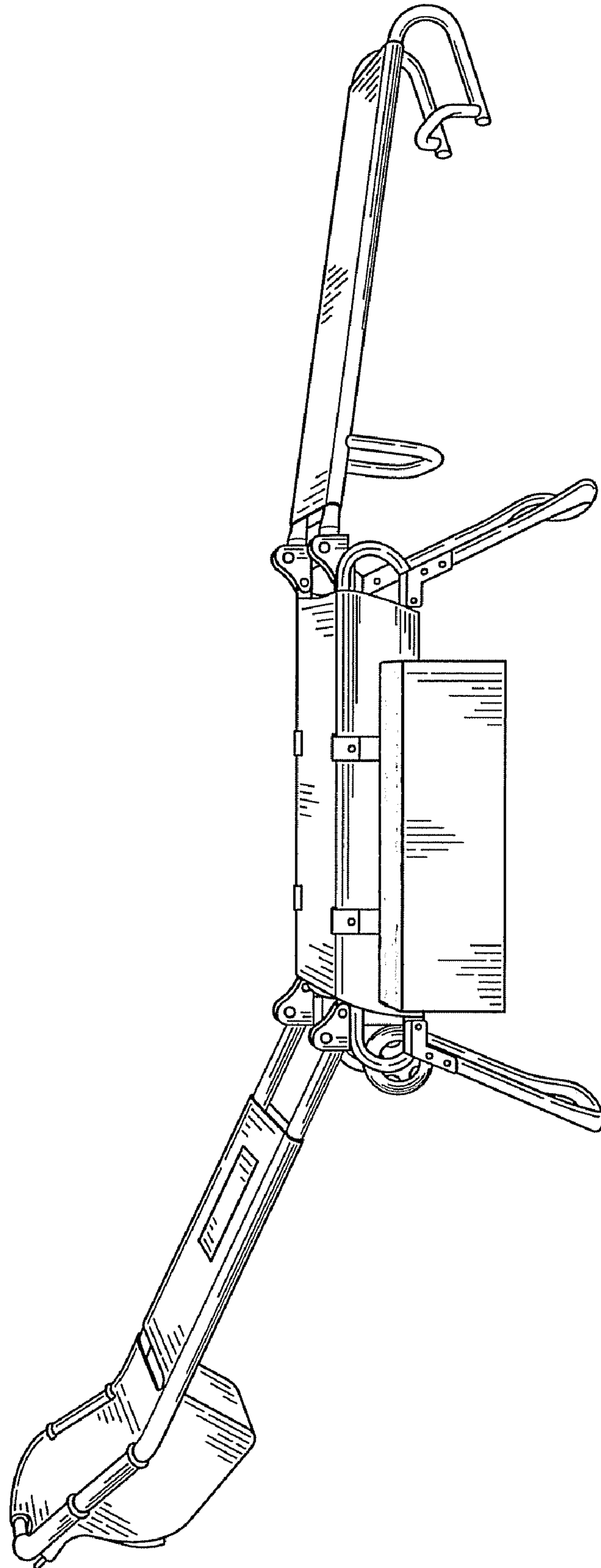


FIG. 7

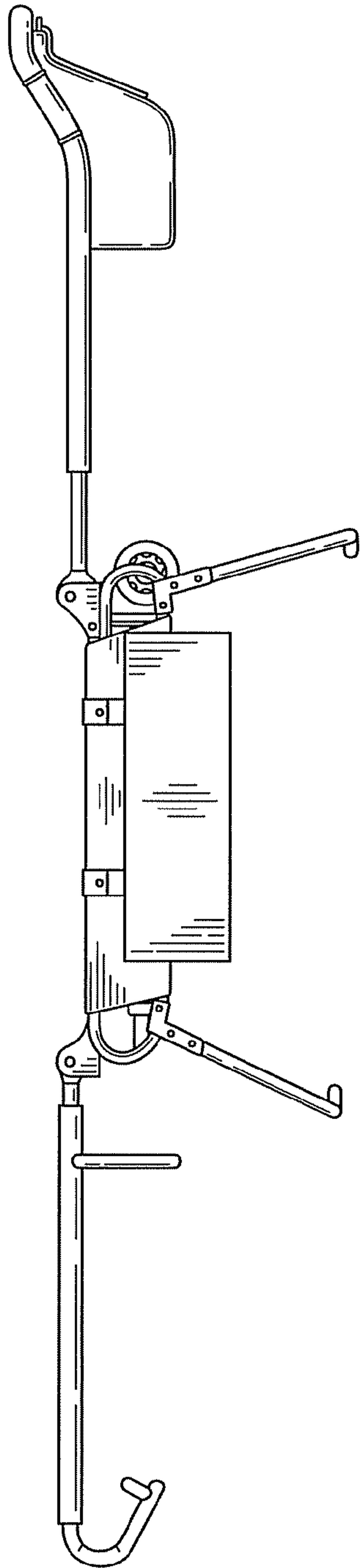


FIG. 8

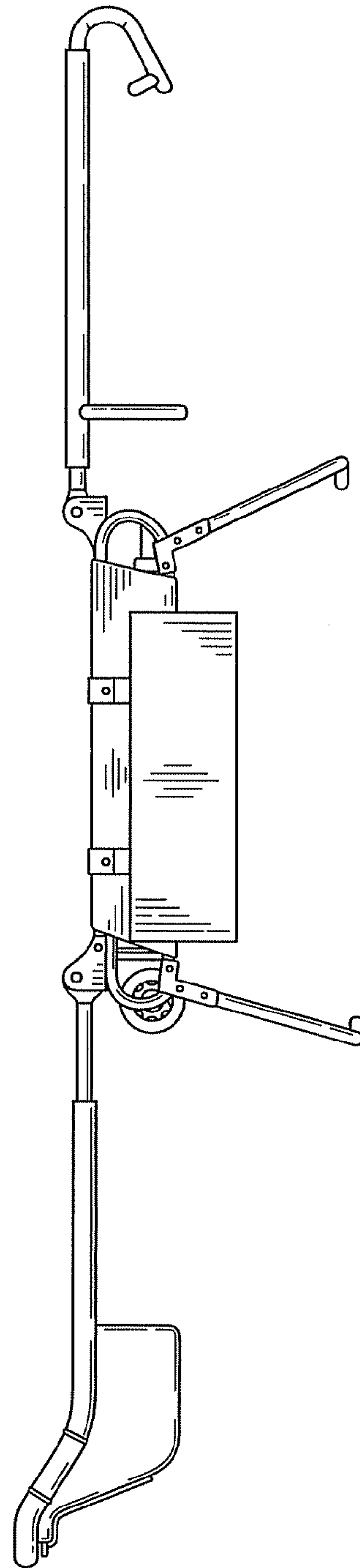


FIG. 9

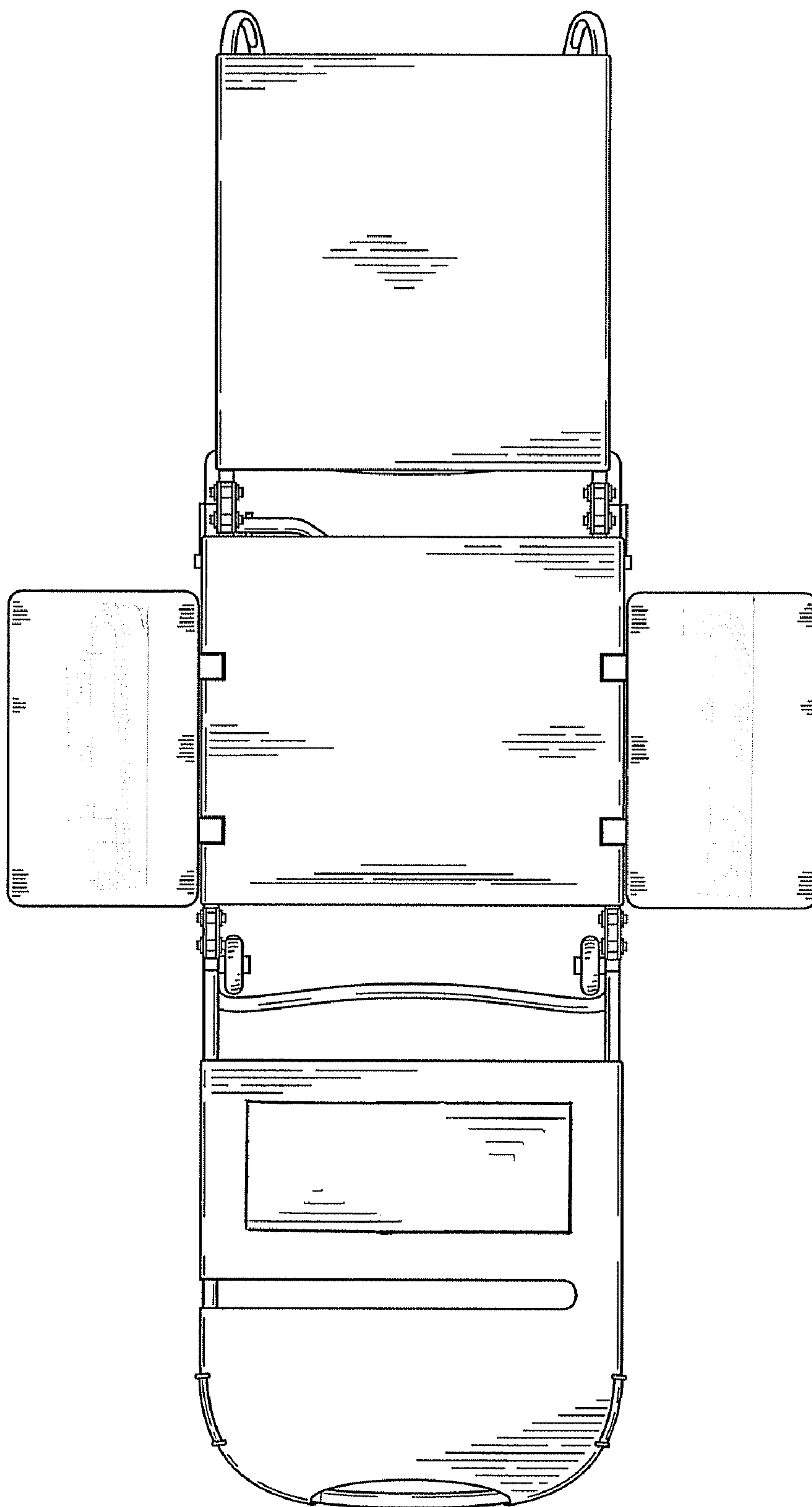


FIG. 10

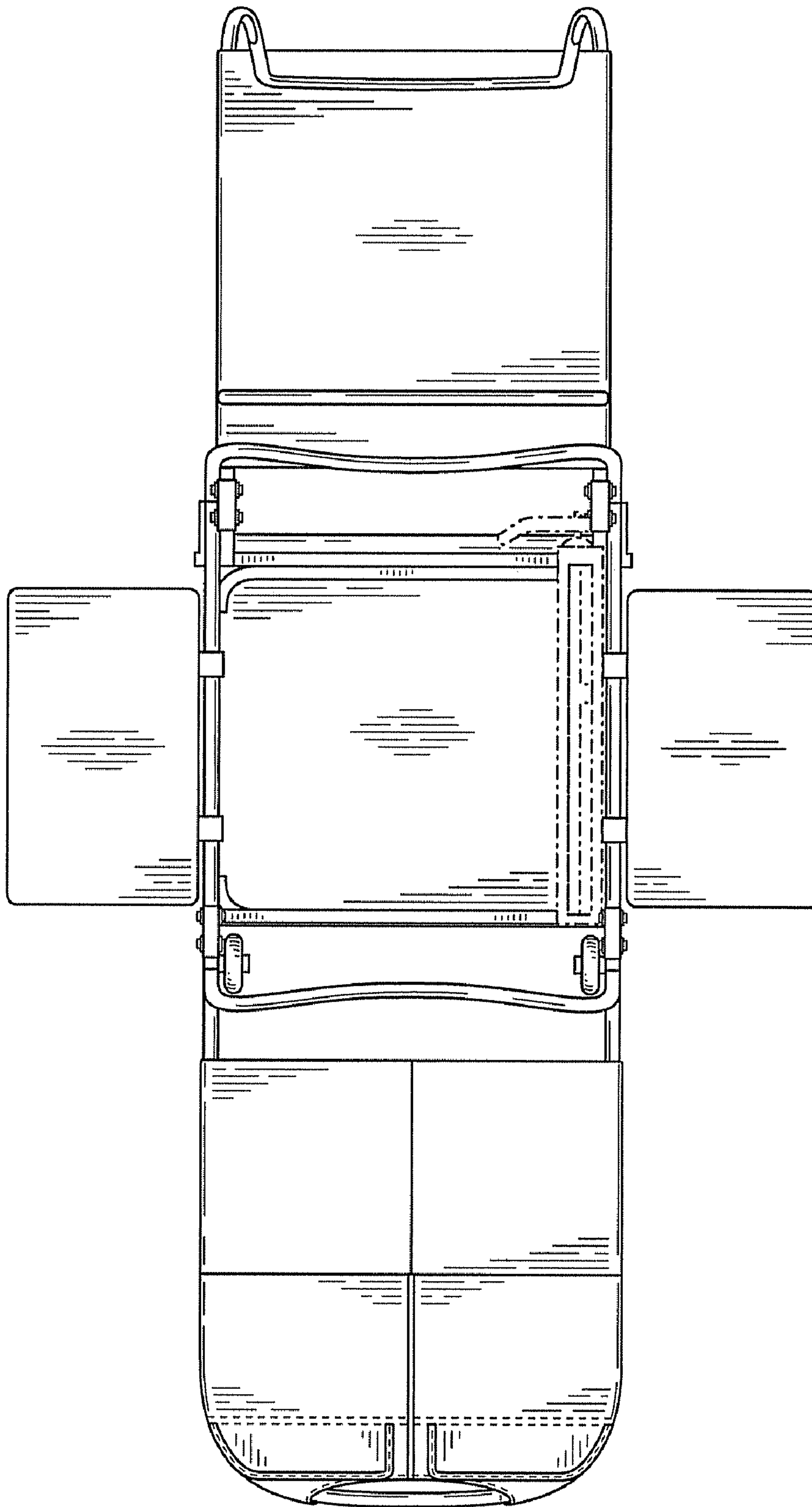


FIG.11