



US00D591064S

(12) **United States Design Patent**
Lee et al.

(10) **Patent No.:** **US D591,064 S**
(45) **Date of Patent:** **** Apr. 28, 2009**

(54) **CHAIR**

(75) Inventors: **Steve Lee**, Park Ridge, IL (US); **Chris Daisy**, Chicago, IL (US)

(73) Assignee: **LumiSource, Inc.**, Elk Grove Village, IL (US)

(**) Term: **14 Years**

(21) Appl. No.: **29/293,892**

(22) Filed: **Dec. 13, 2007**

(51) **LOC (9) Cl.** **06-01**

(52) **U.S. Cl.** **D6/334**

(58) **Field of Classification Search** D6/334,
D6/335, 361, 367, 369, 370, 371, 372, 374,
D6/375, 381, 491, 500-502; 297/445.1,
297/446.1, 118, 119, 232, 233, 440.1, 440.14,
297/440.15; 5/12.1, 12.2

See application file for complete search history.

(56) **References Cited**

U.S. PATENT DOCUMENTS

D212,009 S * 8/1968 Madlem D30/118
D227,053 S * 6/1973 Ris D6/365
4,141,588 A * 2/1979 Anderson 297/271.5
D265,027 S * 6/1982 Meyers D6/334
D309,199 S * 7/1990 McMahon D30/118
D382,945 S * 8/1997 Hansen et al. D23/277
D383,321 S * 9/1997 Honeycutt, Sr. D6/364
D395,759 S * 7/1998 Smith D6/334
D429,912 S * 8/2000 Peterson D6/334
D430,420 S * 9/2000 Peterson D6/334

D435,355 S * 12/2000 Peterson D6/334
D435,974 S * 1/2001 Hsu et al. D6/334
D441,205 S * 5/2001 Hsu et al. D6/334
6,328,385 B1 * 12/2001 Lau 297/452.41
D552,853 S * 10/2007 Goodrick D6/334
D552,854 S * 10/2007 Tseng D6/334
D553,866 S * 10/2007 Frias D6/334

OTHER PUBLICATIONS

Co-Pending U.S. Appl. No. 29/266,944, filed Sep. 29, 2006.

Co-Pending U.S. Appl. No. 29/292,633, filed Oct. 22, 2007.

Co-Pending U.S. Appl. No. 29/292,631, filed Oct. 22, 2007.

Co-Pending U.S. Appl. No. 29/292,634, filed Oct. 22, 2007.

* cited by examiner

Primary Examiner—Sandra Snapp

(74) *Attorney, Agent, or Firm*—Pauley Petersen & Erickson

(57) **CLAIM**

The ornamental design for a chair, as shown.

DESCRIPTION

FIG. 1 is a front perspective view of a chair, according to one embodiment of this invention;

FIG. 2 is a front view of a chair, according to one preferred embodiment of this invention;

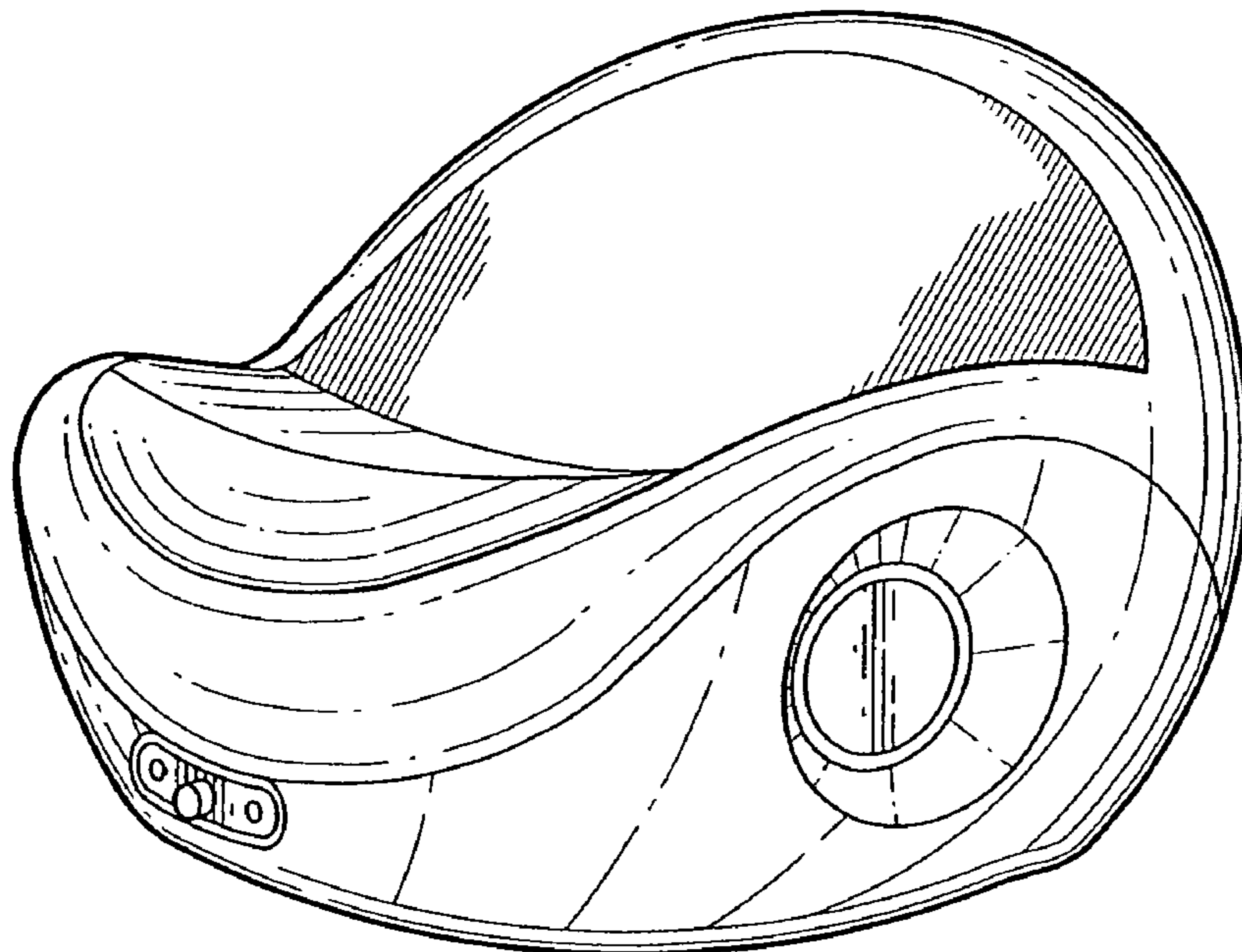
FIG. 3 is a top view of the chair, as shown in FIG. 2;

FIG. 4 is a bottom view of the chair, as shown in FIG. 2;

FIG. 5 is a back view of the chair, as shown in FIG. 2; and,

FIG. 6 is a side view of the chair, as shown in FIG. 2, wherein the opposite side view is a mirror image thereof.

1 Claim, 4 Drawing Sheets



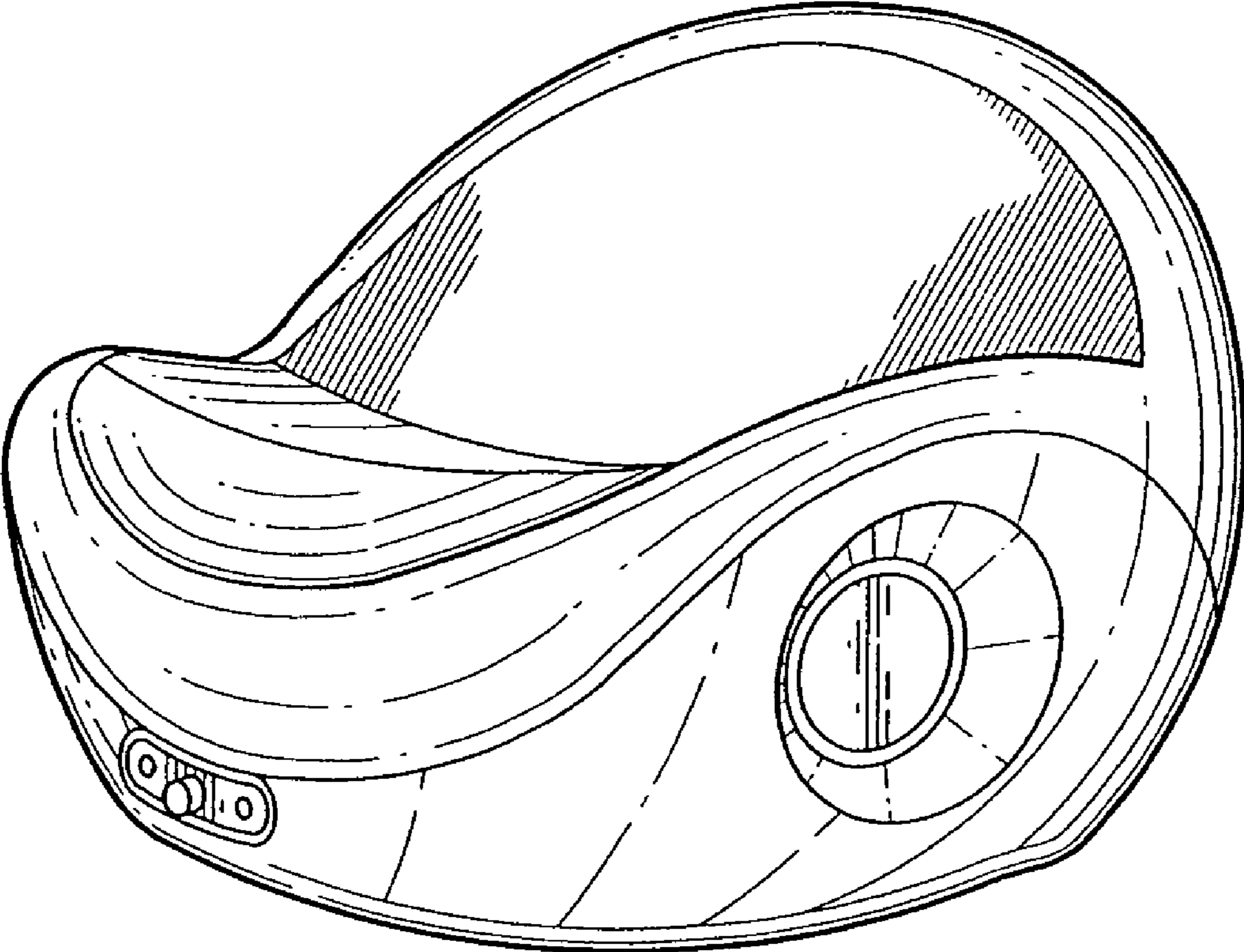


FIG. 1

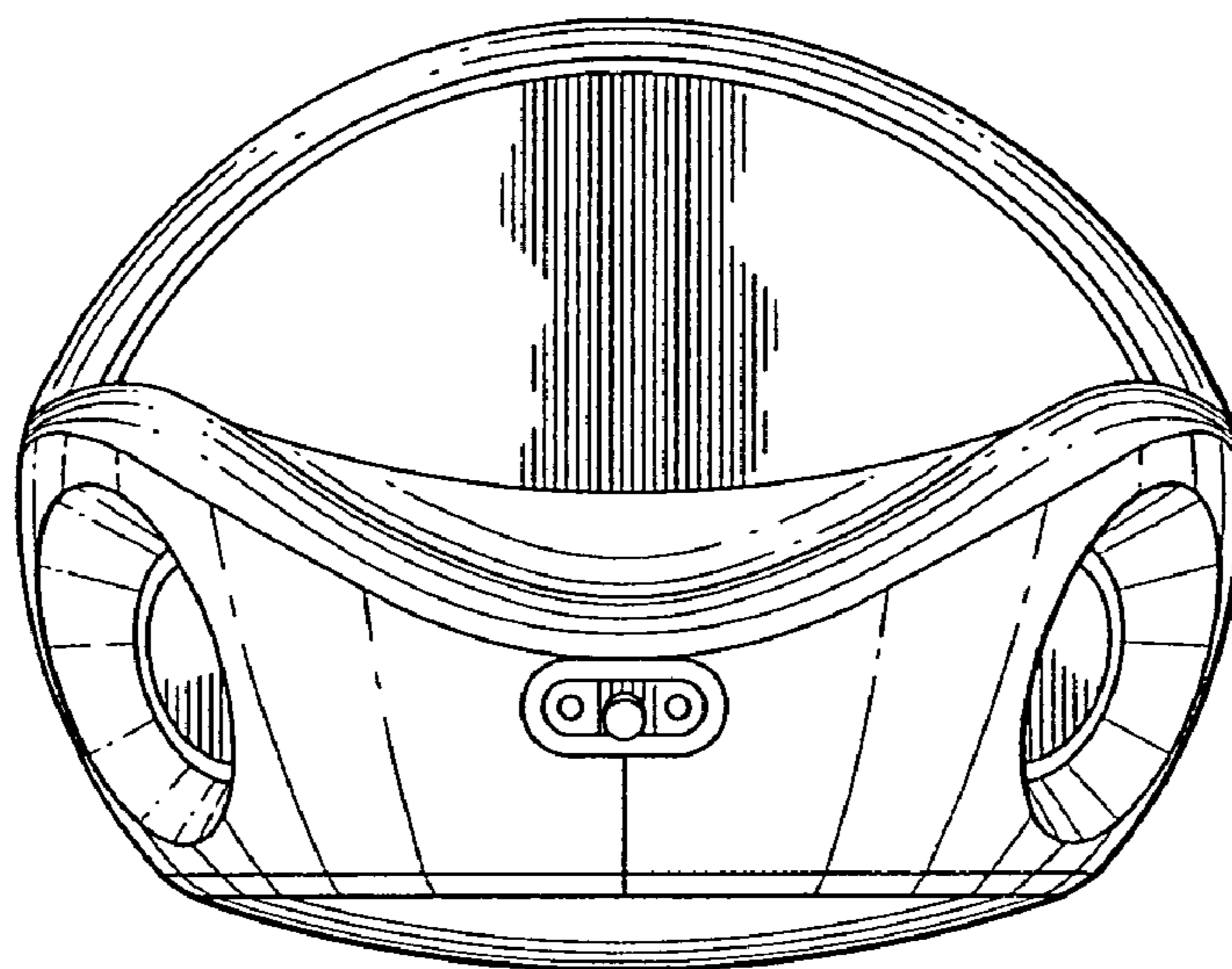


FIG. 2

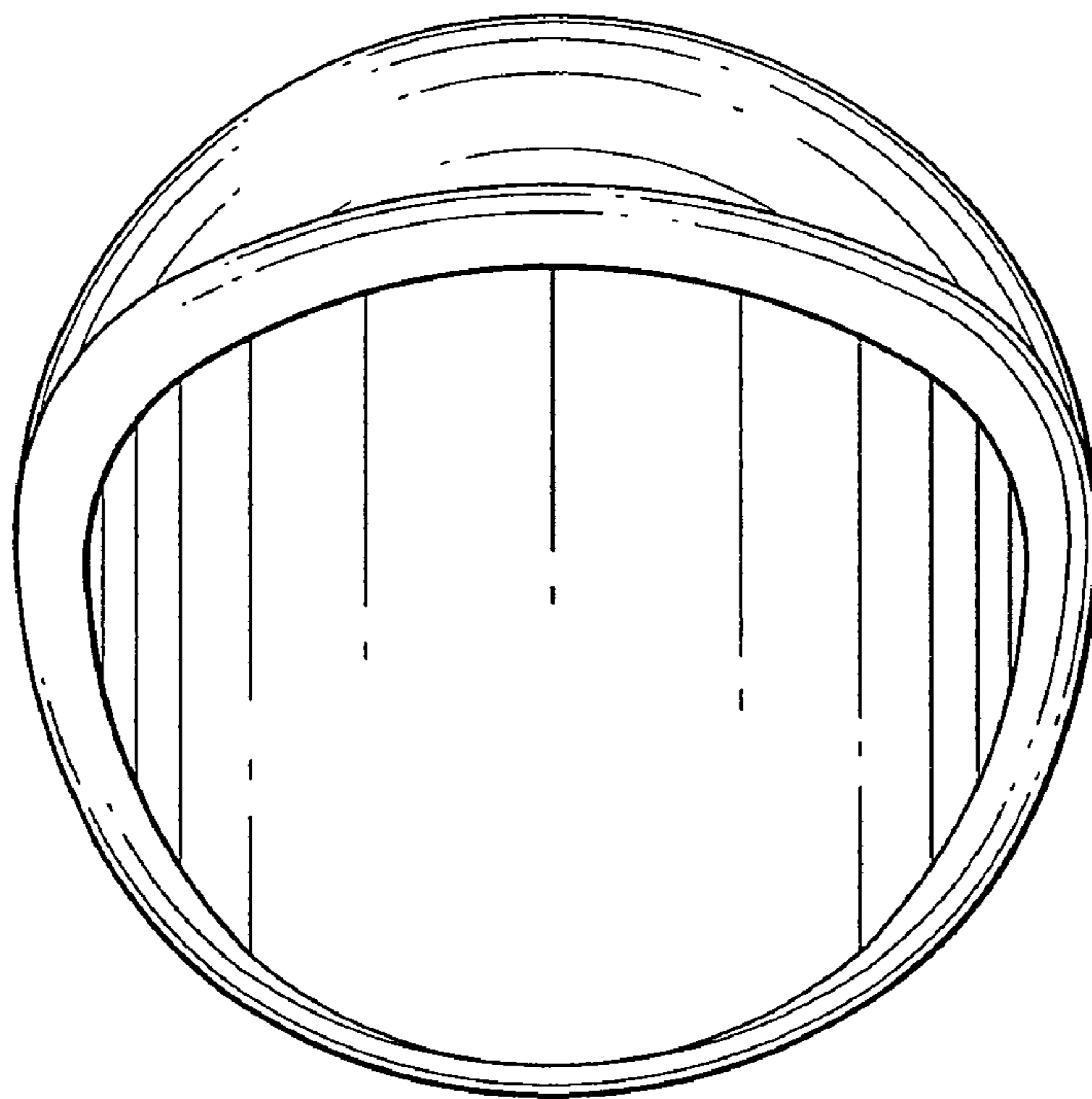


FIG. 3

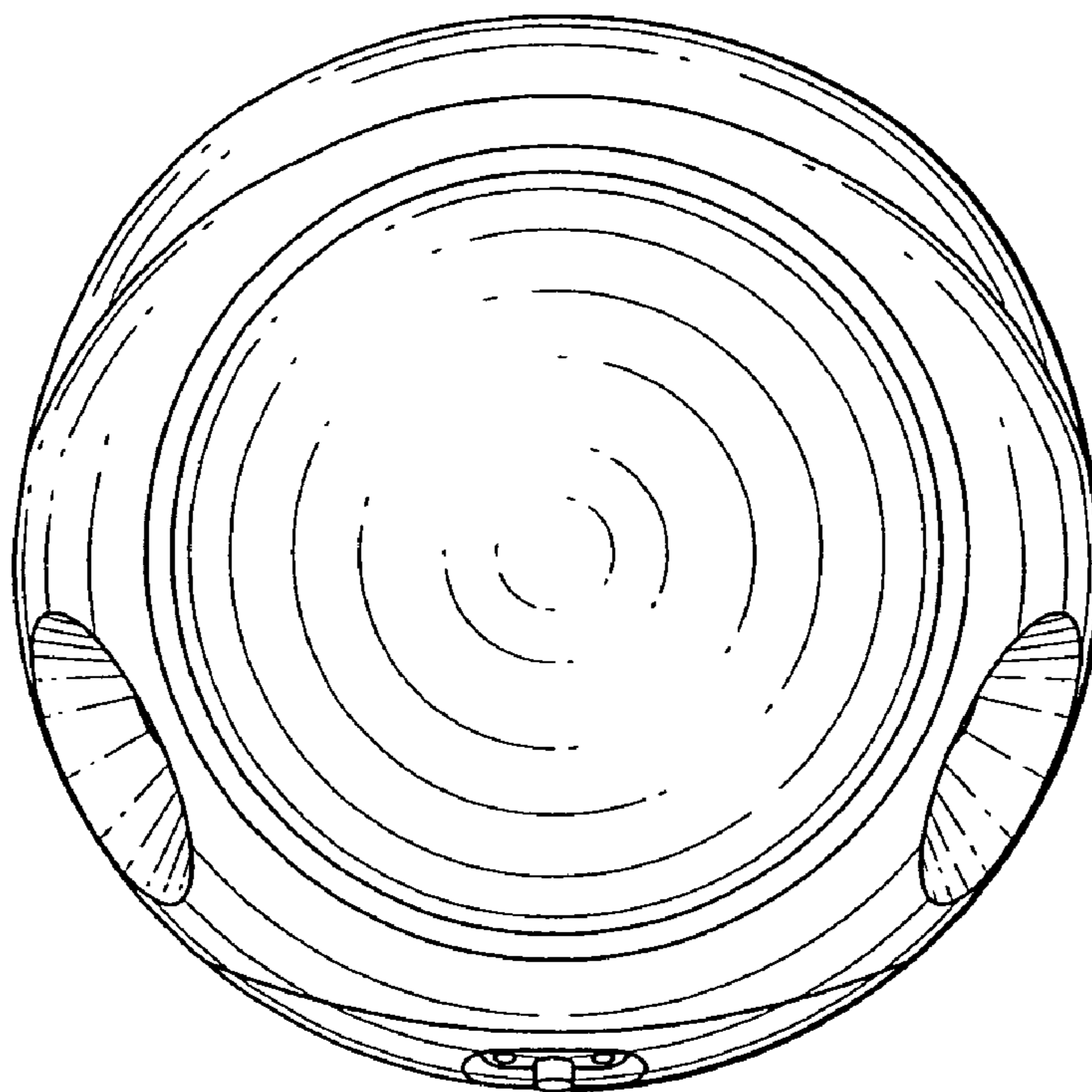


FIG. 4

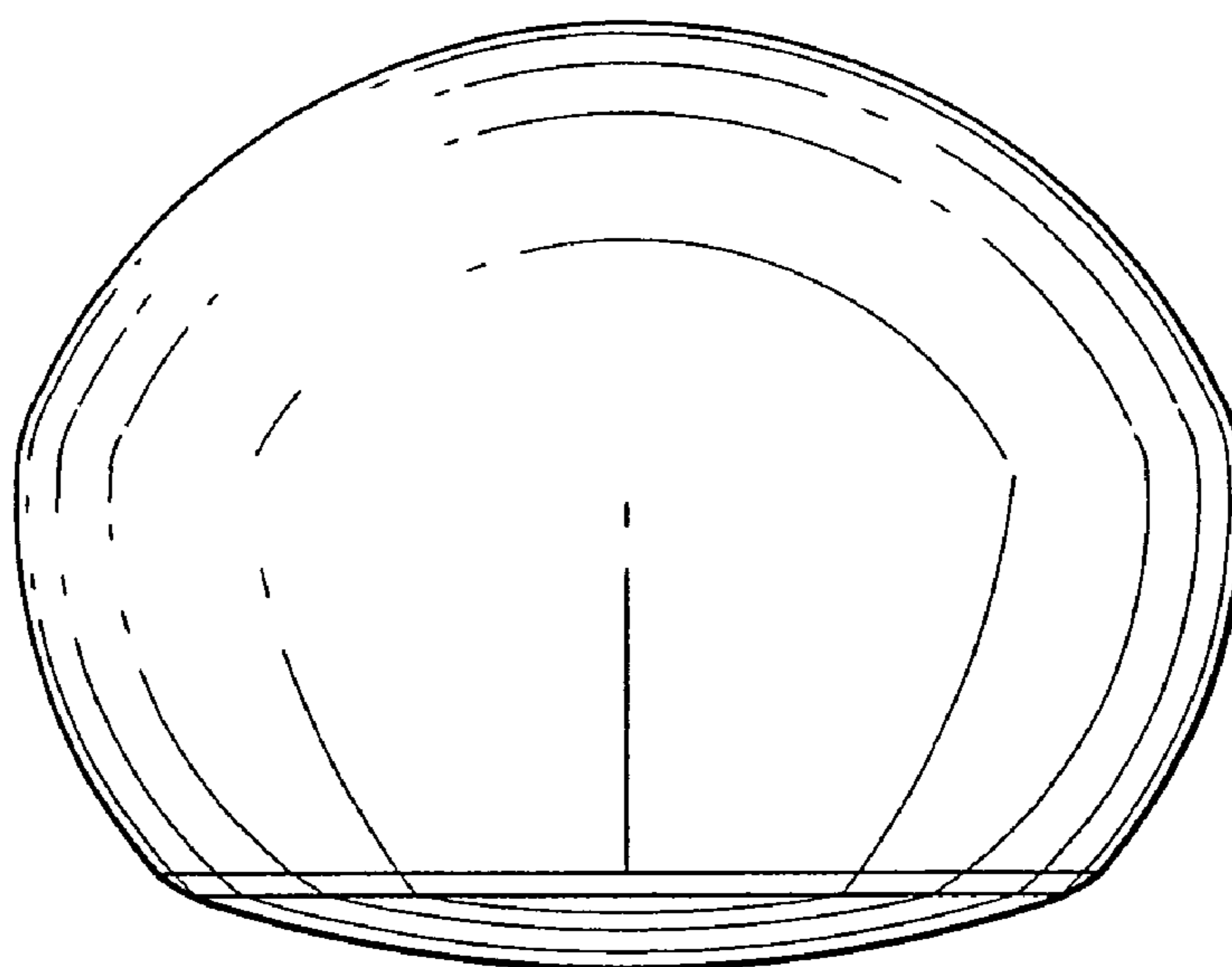


FIG. 5

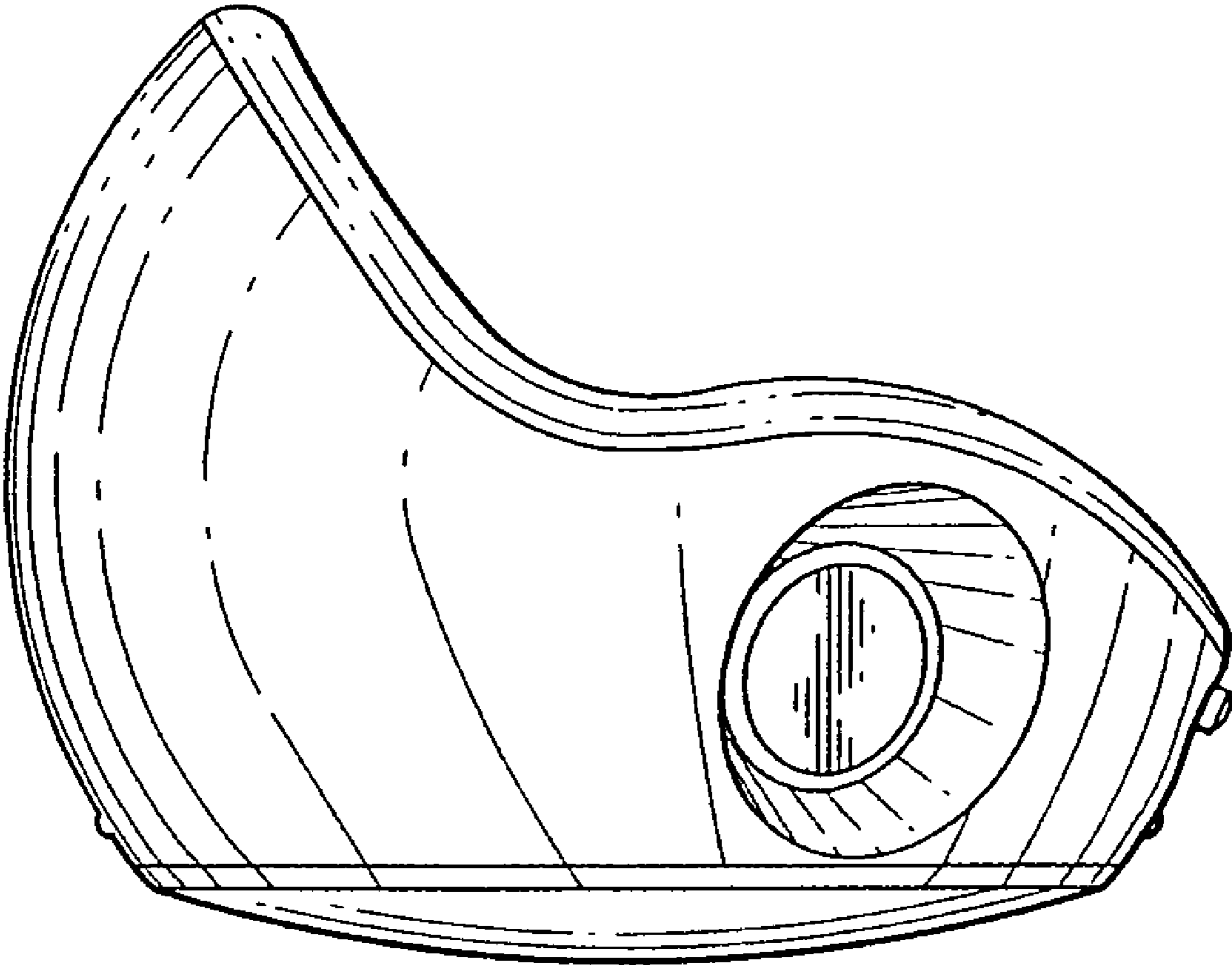


FIG. 6